



US00D617624S

(12) **United States Design Patent**
Tygh

(10) **Patent No.:** **US D617,624 S**
(45) **Date of Patent:** **** Jun. 15, 2010**

(54) **MULTI-PURPOSE FIREFIGHTING TOOL**

(76) Inventor: **Daniel P. Tygh**, 7841 Ridge Ave., Apt. #A204, Philadelphia, PA (US) 19128

(**) Term: **14 Years**

(21) Appl. No.: **29/348,072**

(22) Filed: **Nov. 24, 2009**

(51) **LOC (9) Cl.** **08-05**

(52) **U.S. Cl.** **D8/105**

(58) **Field of Classification Search** D8/76,
D8/75, 55, 23, 14, 105, 89, 81, 79; D24/145,
D24/147; 7/170, 166, 145, 140, 138; 30/276;
111/7.1

See application file for complete search history.

(56) **References Cited**

U.S. PATENT DOCUMENTS

3,629,883	A *	12/1971	Norman	7/170
D225,961	S *	1/1973	Scdoris	D8/81
D226,162	S *	1/1973	Ziaylek	D8/81
D233,405	S *	10/1974	Frey	D8/76
D266,902	S *	11/1982	Tarran	D8/76
D266,903	S *	11/1982	Tarran	D8/76
4,646,378	A *	3/1987	Borden	7/140
D299,414	S *	1/1989	Bajza et al.	D8/105
D304,899	S *	12/1989	Liu	D8/23
D329,972	S *	10/1992	Calvagno	D8/105
5,211,118	A *	5/1993	Perkins	111/7.1
5,428,853	A *	7/1995	Menke et al.	7/138
5,542,183	A *	8/1996	Allison	30/276
D378,187	S *	2/1997	Eddie	D8/88
D388,303	S *	12/1997	Berggren	D8/81
D395,808	S *	7/1998	Loucks	D8/14
D451,357	S *	12/2001	Tseng	D8/105
6,398,136	B1 *	6/2002	Smith	239/600
D499,322	S *	12/2004	Hung	D8/81

D507,167	S *	7/2005	Richardson	D8/81
7,051,390	B2 *	5/2006	van Beek	7/145
D525,506	S *	7/2006	Downing, Jr.	D8/78
D562,101	S *	2/2008	Martone et al.	D8/89
7,565,711	B1 *	7/2009	Schamadan	7/145
D601,400	S *	10/2009	Delia	D8/105
2003/0159837	A1 *	8/2003	Itchner	169/70
2003/0230419	A1 *	12/2003	Eubanks	172/371
2004/0261188	A1 *	12/2004	Mathis	7/145
2006/0075572	A1 *	4/2006	Young	7/138
2009/0094757	A1 *	4/2009	Newton et al.	7/166

* cited by examiner

Primary Examiner—Austin Murphy

(74) *Attorney, Agent, or Firm*—Stuart M. Goldstein

(57) **CLAIM**

The ornamental design for a multi-purpose firefighting tool, as shown and described.

DESCRIPTION

FIG. 1 is an isometric view of the multi-purpose firefighting tool of the present invention.

FIG. 2 is the front view of the multi-purpose firefighting tool of the present invention.

FIG. 3 is the rear view of the multi-purpose firefighting tool of the present invention.

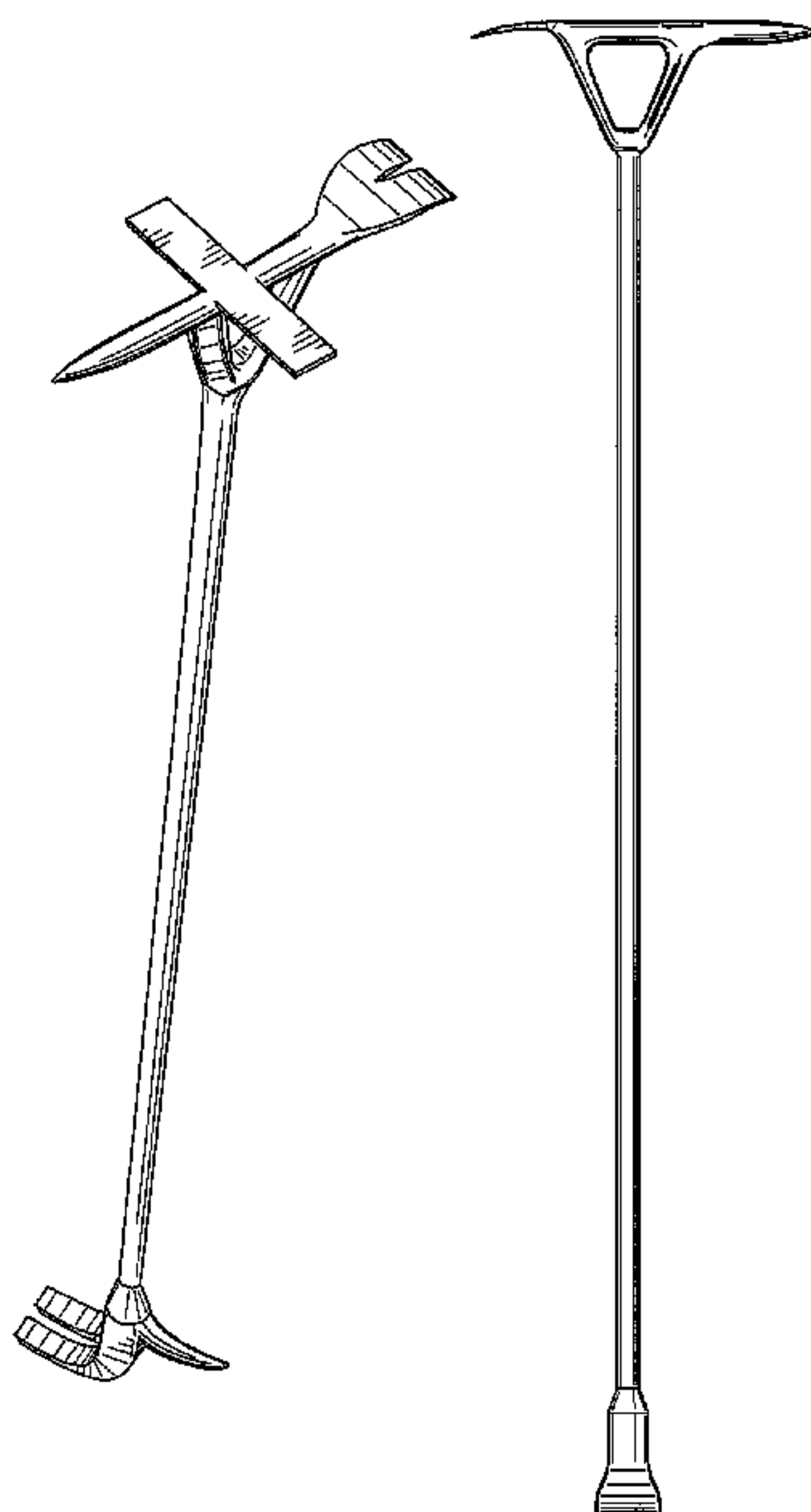
FIG. 4 is an elevation view of the multi-purpose firefighting tool of the present invention.

FIG. 5 is an elevation view showing the other side of the multi-purpose firefighting tool of the present invention.

FIG. 6 is the bottom view of the multi-purpose firefighting tool of the present invention; and,

FIG. 7 is the top view of the multi-purpose firefighting tool of the present invention.

1 Claim, 4 Drawing Sheets



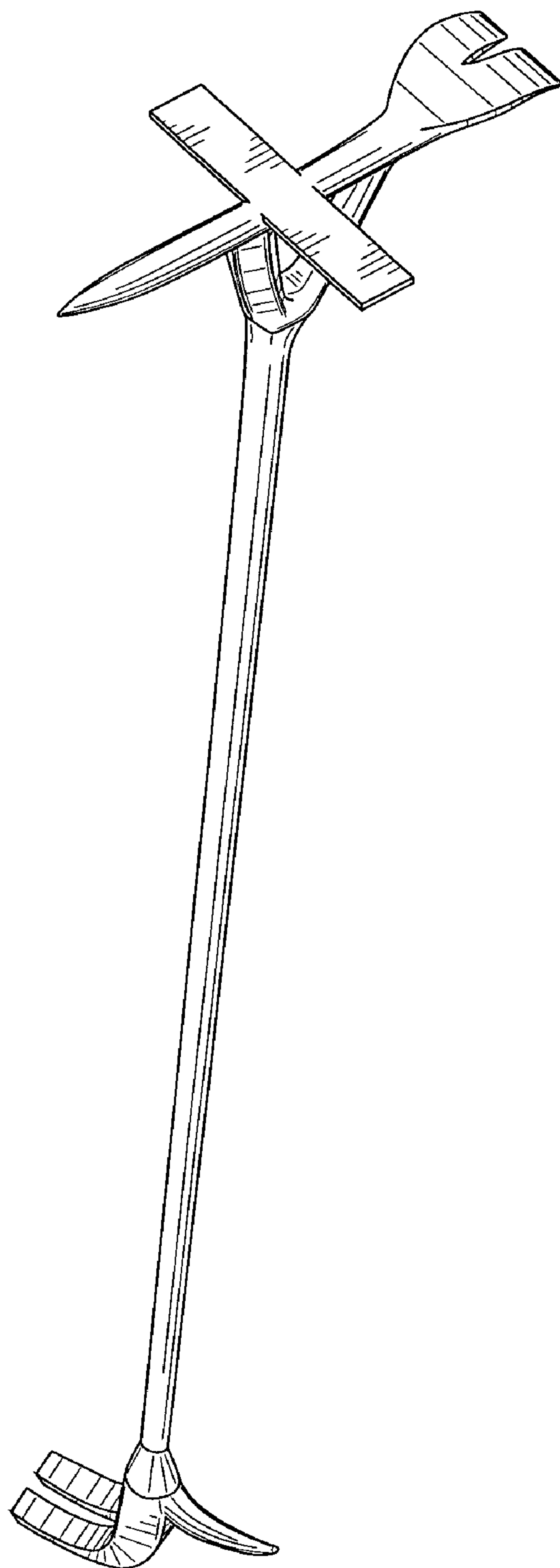


FIG. 1

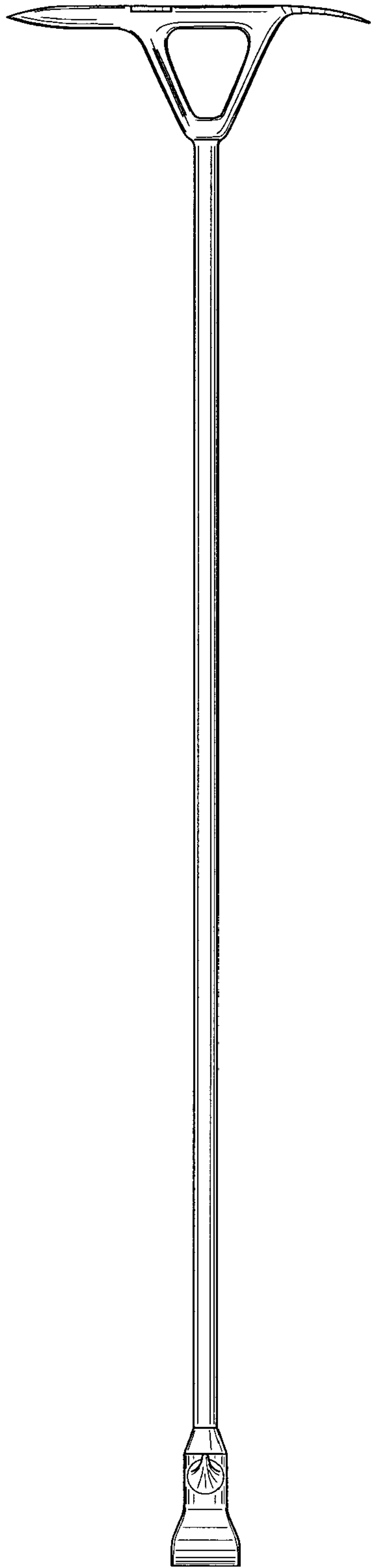


FIG. 2

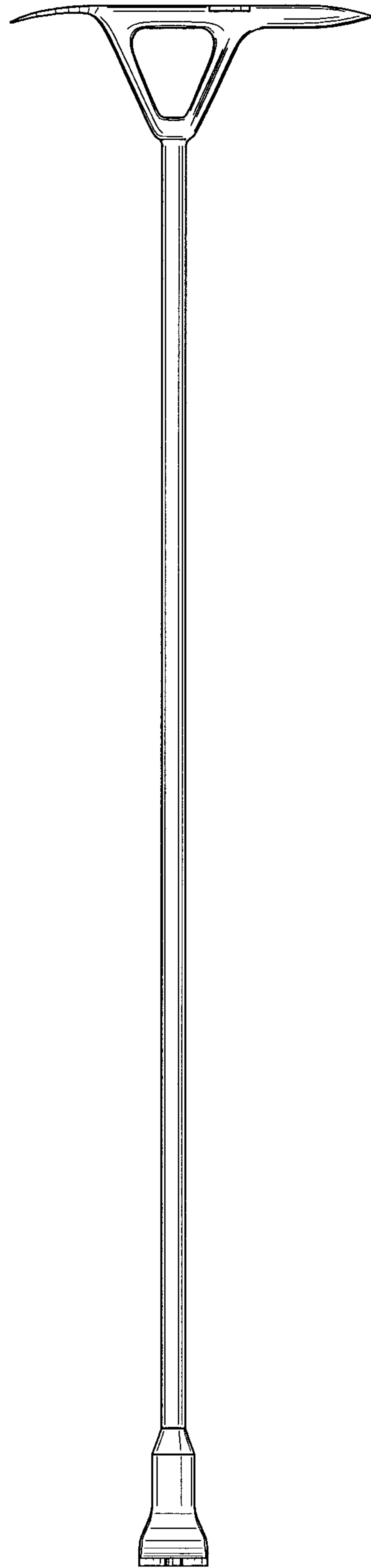


FIG. 3

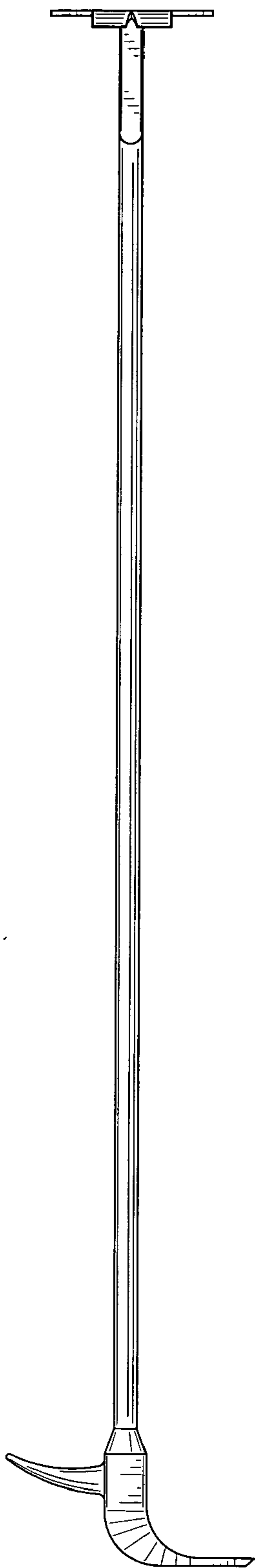


FIG. 4

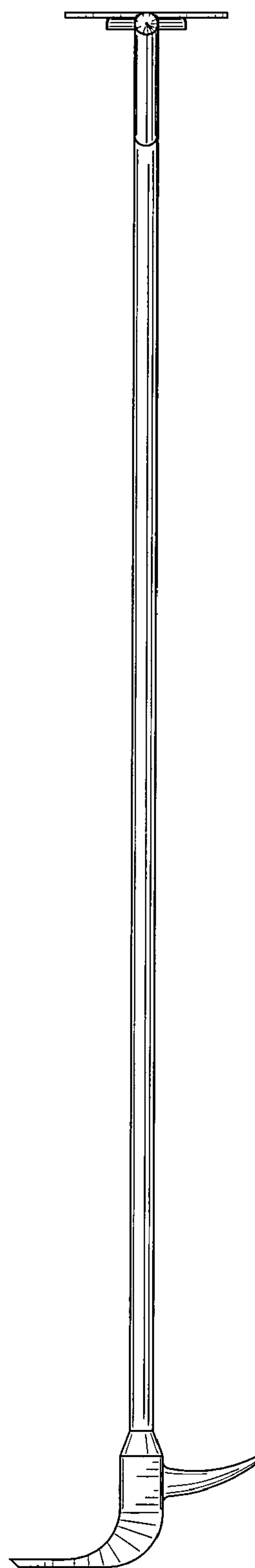


FIG. 5

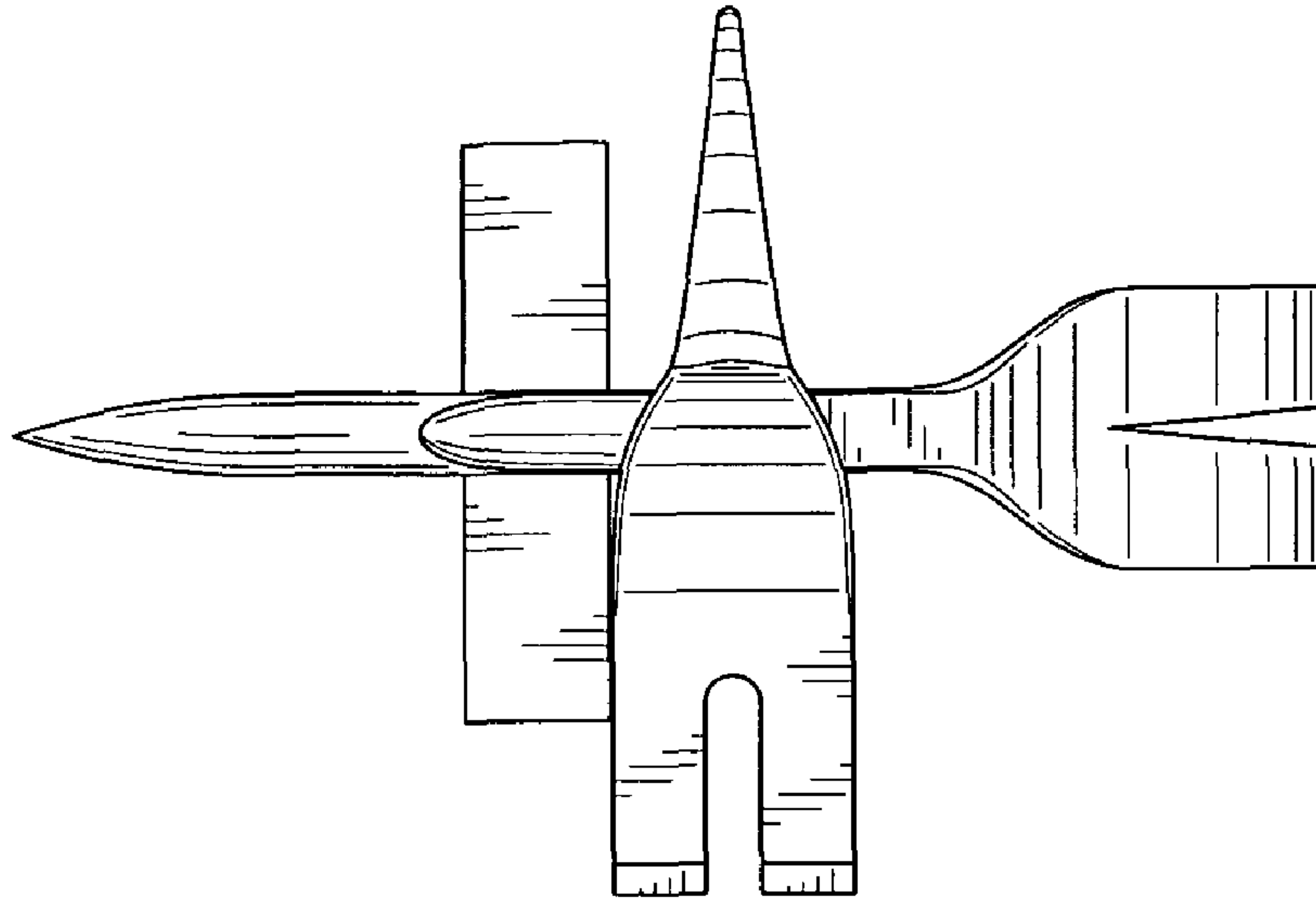


FIG. 6

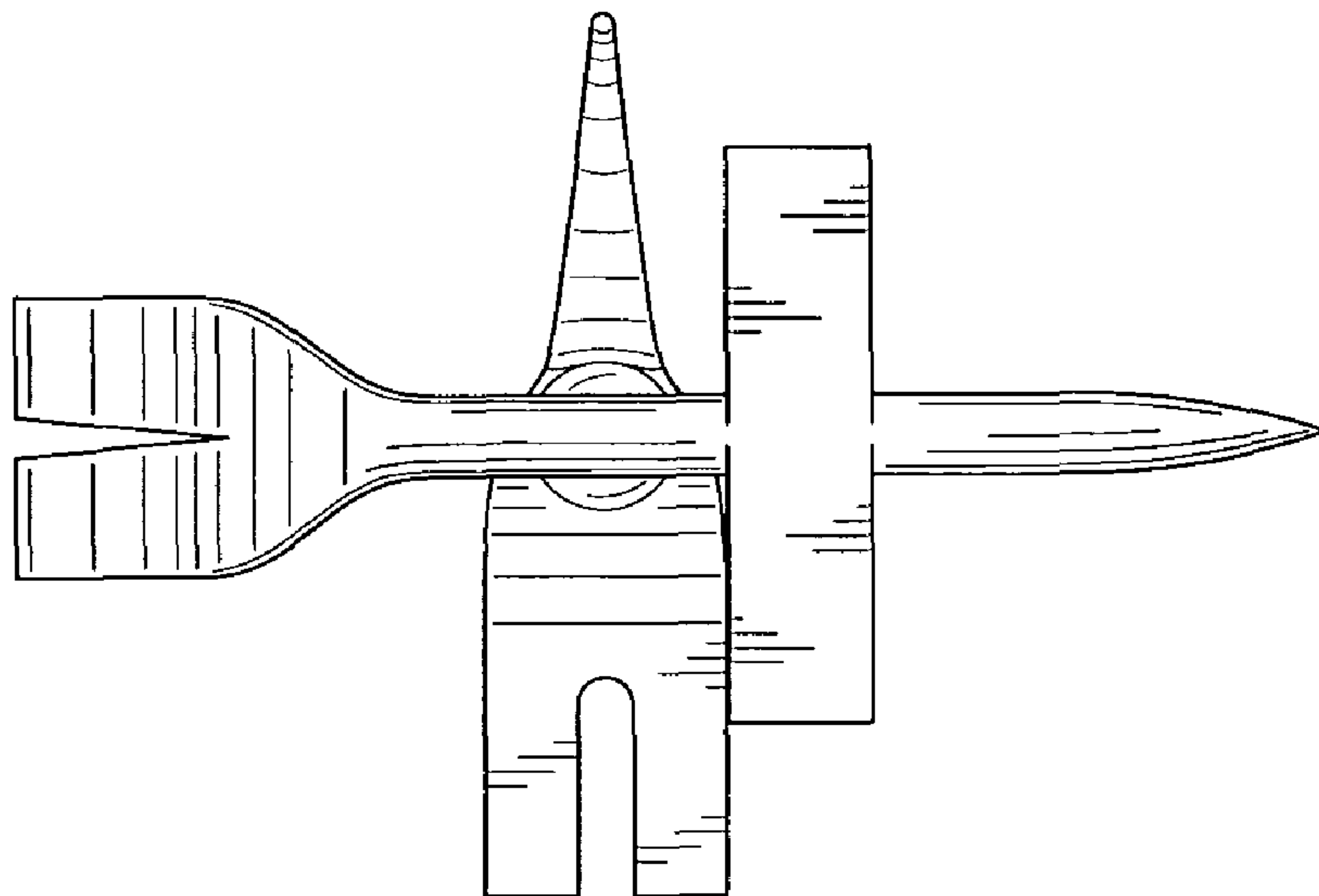


FIG. 7