

US00D617622S

(12) **United States Design Patent**  
**Lopano**

(10) **Patent No.:** **US D617,622 S**  
(45) **Date of Patent:** **\*\* Jun. 15, 2010**

(54) **IMPACT DRIVER**

6,392,381 B1 5/2002 Chen  
D458,103 S 6/2002 Chen  
D458,824 S 6/2002 Chen  
D459,177 S 6/2002 Chen  
D467,483 S 12/2002 Heun

(75) Inventor: **Daniel N. Lopano**, Bel Air, MD (US)

(73) Assignee: **Black & Decker Inc.**, Newark, DE (US)

(\*\*) Term: **14 Years**

(21) Appl. No.: **29/344,544**

(Continued)

(22) Filed: **Sep. 30, 2009**

FOREIGN PATENT DOCUMENTS

CH 386808 1/1965

(51) **LOC (9) Cl.** ..... **08-04**

(52) **U.S. Cl.** ..... **D8/68**

(58) **Field of Classification Search** ..... D8/14.1,  
D8/61, 62, 63, 64, 65, 66, 67, 68, 69, 70;  
81/57.11, 429, 454, 455, 456, 469, 489;  
173/13, 104, 114, 168, 169, 170, 171, 178,  
173/201, 211, 213, 217; 408/20, 124, 125,  
408/234, 241 R; 451/358; 310/50; 227/8,  
227/113, 114, 120, 130, 136, 142

(Continued)

OTHER PUBLICATIONS

Drawings and photographs of power tools existing before the filing date of the present application; online: <http://www.hitachi-koki.co.jp/powertools/products/drill/wh14dbl/wh14dbl.html>; printed Jan. 10, 2008.

See application file for complete search history.

(Continued)

(56) **References Cited**

*Primary Examiner*—Antoine D Davis

(74) *Attorney, Agent, or Firm*—Scott B. Markow

U.S. PATENT DOCUMENTS

3,019,673 A 2/1962 Sjostrand et al.  
3,488,825 A 1/1970 Lundgren  
4,330,093 A 5/1982 Chapman, Jr.  
D295,714 S 5/1988 Sasaki et al.  
D298,509 S 11/1988 Brosius et al.  
4,858,811 A 8/1989 Brosius et al.  
D314,320 S 2/1991 Brosius et al.  
D323,276 S 1/1992 Fushiya et al.  
D329,580 S 9/1992 Sasaki et al.  
D340,393 S 10/1993 Okumura  
5,353,474 A 10/1994 Good et al.  
D380,952 S 7/1997 Kim  
D388,678 S 1/1998 Bantly et al.  
D393,580 S 4/1998 Bantly et al.  
D393,581 S 4/1998 McCallops et al.  
D395,387 S 6/1998 Snider  
5,778,989 A 7/1998 Neumaier  
D413,242 S 8/1999 Robson  
6,161,256 A 12/2000 Quiring et al.  
D440,850 S 4/2001 Ozawa et al.

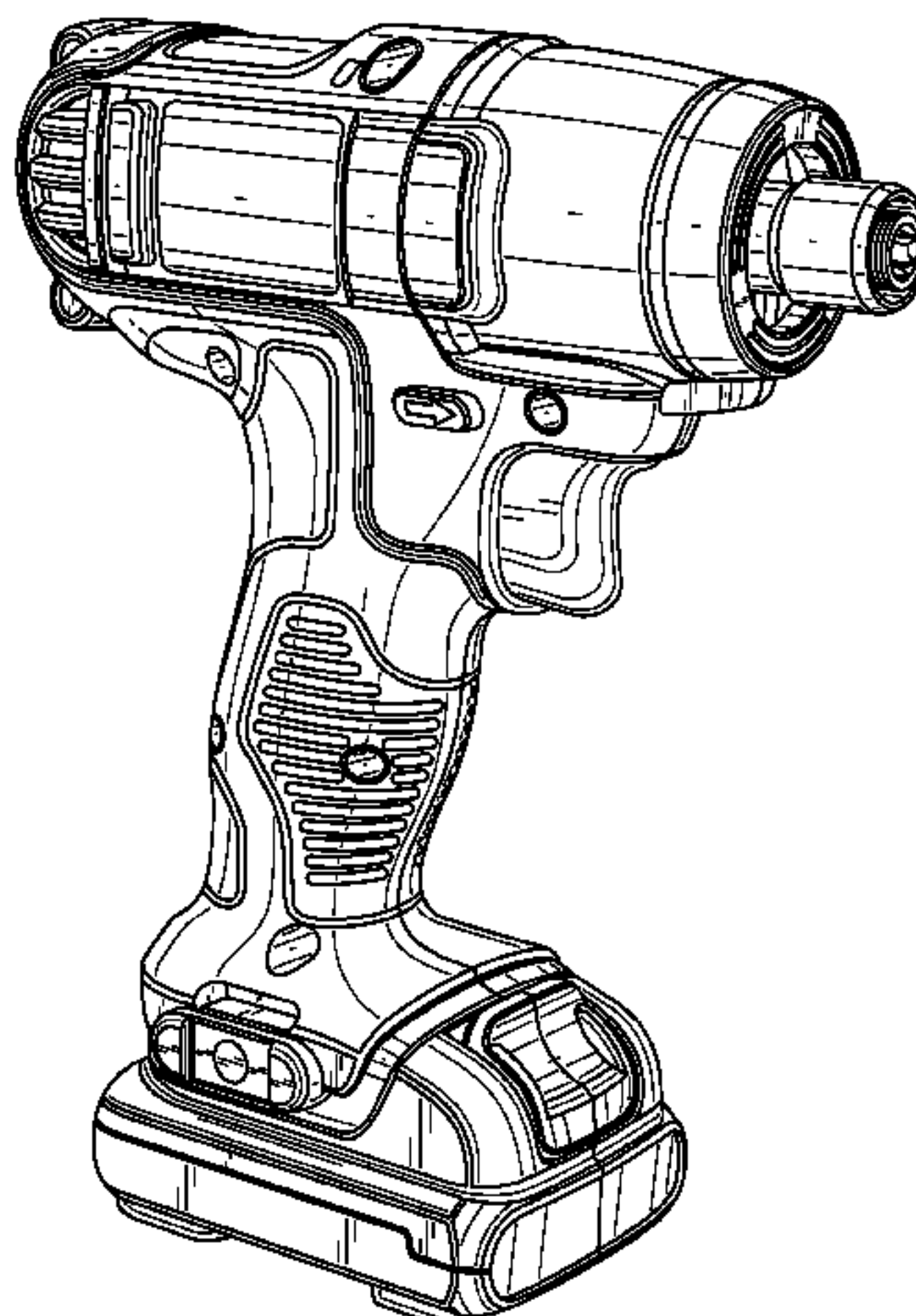
(57) **CLAIM**

The ornamental design for an impact driver, as shown and described.

**DESCRIPTION**

FIG. 1 is a perspective view of the impact driver.  
FIG. 2 is a front view thereof.  
FIG. 3 is a rear view thereof.  
FIG. 4 is a right view thereof.  
FIG. 5 is a left view thereof.  
FIG. 6 is a top view thereof; and,  
FIG. 7 is a bottom view thereof.

**1 Claim, 7 Drawing Sheets**



# US D617,622 S

## U.S. PATENT DOCUMENTS

D472,781	S	4/2003	Netzler	
D475,596	S	6/2003	Ozawa et al.	
D477,205	S	7/2003	Sakai et al.	
6,615,930	B2	9/2003	Bongers-Ambrosius et al.	
D484,385	S	12/2003	Sakai et al.	
6,729,415	B1	5/2004	Huang	
D496,843	S	10/2004	Sugawara et al.	
6,799,643	B2	10/2004	Voulkidis et al.	
D499,945	S	12/2004	Sugawara et al.	
D500,653	S	1/2005	Concari	
D503,879	S	* 4/2005	Watson .....	D8/68
6,905,052	B2	6/2005	Sakai et al.	
D508,642	S	8/2005	Kokawa et al.	
D508,836	S	8/2005	Schiller et al.	
D509,119	S	9/2005	Schiller et al.	
D519,808	S	5/2006	Otsuka et al.	
D520,832	S	5/2006	Ozawa et al.	
D520,834	S	5/2006	Furuta et al.	
D524,136	S	7/2006	Taniguchi et al.	
D525,099	S	7/2006	Nagasaka et al.	
D525,505	S	7/2006	Ito et al.	
D525,848	S	8/2006	Kokawa	
D527,237	S	8/2006	Otsuka et al.	
D527,971	S	9/2006	Kokawa	
D528,888	S	9/2006	Nagasaka et al.	
7,108,079	B2	9/2006	Sakai et al.	
D531,476	S	11/2006	Kokawa et al.	
7,134,510	B2	11/2006	Justis et al.	
7,140,451	B2	11/2006	Yoshimizu et al.	
D533,422	S	12/2006	Ino et al.	
D533,423	S	12/2006	Ino et al.	
D539,110	S	3/2007	Okuda	
7,185,998	B2	3/2007	Oomori et al.	
D540,639	S	4/2007	Watson	
D540,640	S	4/2007	Clay	
D543,081	S	5/2007	Watson	
D545,159	S	6/2007	Schoen et al.	
D546,154	S	7/2007	Fong et al.	
D551,047	S	* 9/2007	Lopano .....	D8/68
D556,002	S	11/2007	Ino	
D559,060	S	* 1/2008	Lopano .....	D8/68
7,325,627	B2	2/2008	Tanji	
D578,854	S	* 10/2008	Lopano .....	D8/68
D579,743	S	* 11/2008	Lopano .....	D8/68
D584,123	S	* 1/2009	Lopano .....	D8/68
2002/0100347	A1	8/2002	Daubinger et al.	
2003/0159843	A1	8/2003	Sakai et al.	
2004/0029426	A1	2/2004	Lui et al.	
2004/0106036	A1	6/2004	Geis et al.	
2005/0121209	A1	6/2005	Shimizu et al.	
2005/0269884	A1	12/2005	Teranishi et al.	
2006/0048959	A1	3/2006	Sakai et al.	
2006/0060366	A1	3/2006	Bodine et al.	
2006/0075605	A1	4/2006	Lagaly et al.	
2006/0102367	A1	5/2006	Etter et al.	
2006/0143866	A1	7/2006	Lagaly et al.	
2006/0175069	A1	8/2006	Sakakibara et al.	
2006/0243469	A1	11/2006	Webster	
2007/0277987	A1	12/2007	Meyer et al.	

## FOREIGN PATENT DOCUMENTS

DE	3324545	1/1985
DE	19716804.3	10/1998
DE	29918101	2/2000

DE	19933015	5/2000
DE	10124537.8	2/2002
DE	10260324	9/2003
DE	102006020172.8	11/2007
EP	0 142 650	5/1985
EP	0142650	5/1985
EP	0 261 260	3/1988
EP	0868265	7/1998
EP	1033207	9/2000
EP	1321246	6/2003
EP	1364138	11/2003
EP	1449625	8/2004
EP	1516702	3/2005
EP	1533086	5/2005
EP	1 690 649	8/2006
EP	1795311	6/2007
EP	1903657	3/2008
GB	2 169 541	7/1986
JP	6-70564	10/1994
JP	09-002550	1/1997
JP	9239672	9/1997
JP	10044054	2/1998
JP	10-086078	4/1998
JP	2000070777	3/2000
JP	D1108845	3/2001
JP	2001-198856	7/2001
JP	2003-039346	2/2003
JP	2003211374	7/2003
JP	D1187794	8/2003
JP	2003-245876	9/2003
JP	2003-290689	10/2003
JP	D1201916	2/2004
JP	2004-174670	6/2004
JP	2004-174671	6/2004
JP	D1123614	8/2004
JP	2004-261906	9/2004
JP	2004249422	9/2004
JP	2005-035286	2/2005
JP	2005-199406	7/2005
JP	2005297119	10/2005
JP	2006-000948	1/2006
JP	2006-116626	5/2006
JP	2006-123086	5/2006
JP	2007-307626	11/2007
WO	WO2008/035811	3/2008
WO	WO2008/058788	5/2008
WO	WO2008/090830	7/2008
WO	WO2009/001592	12/2008

## OTHER PUBLICATIONS

Drawings and photographs of power tools existing before the filing date of the present application; Powerpoint presentation.

Drawing and photograph of power tools existing before the filing date of the present application; Panasonic Power Tool—online: [http://www2.panasonic.com/consumer-electronics/shop/Building-Products/Cordless-Tools/Drill-Drivers/model.EY7440LN2S\\_11002\\_700000000000005702](http://www2.panasonic.com/consumer-electronics/shop/Building-Products/Cordless-Tools/Drill-Drivers/model.EY7440LN2S_11002_700000000000005702); printed Feb. 7, 2008.

Search Report for European application No. 1 690 649 dated May 17, 2006.

Hitachi Cordless Driver Drill DB10DL, Handling instructions, [http://www.hitachi-koki.com/manual\\_view\\_export/pdf\\_manual\\_view.do?implementationWorkNumber=710&partsCode=C99167821&model=DB10DL&marketSeq=5](http://www.hitachi-koki.com/manual_view_export/pdf_manual_view.do?implementationWorkNumber=710&partsCode=C99167821&model=DB10DL&marketSeq=5), online, cover page, pp. 1 and 48, printed Apr. 1, 2009.

\* cited by examiner



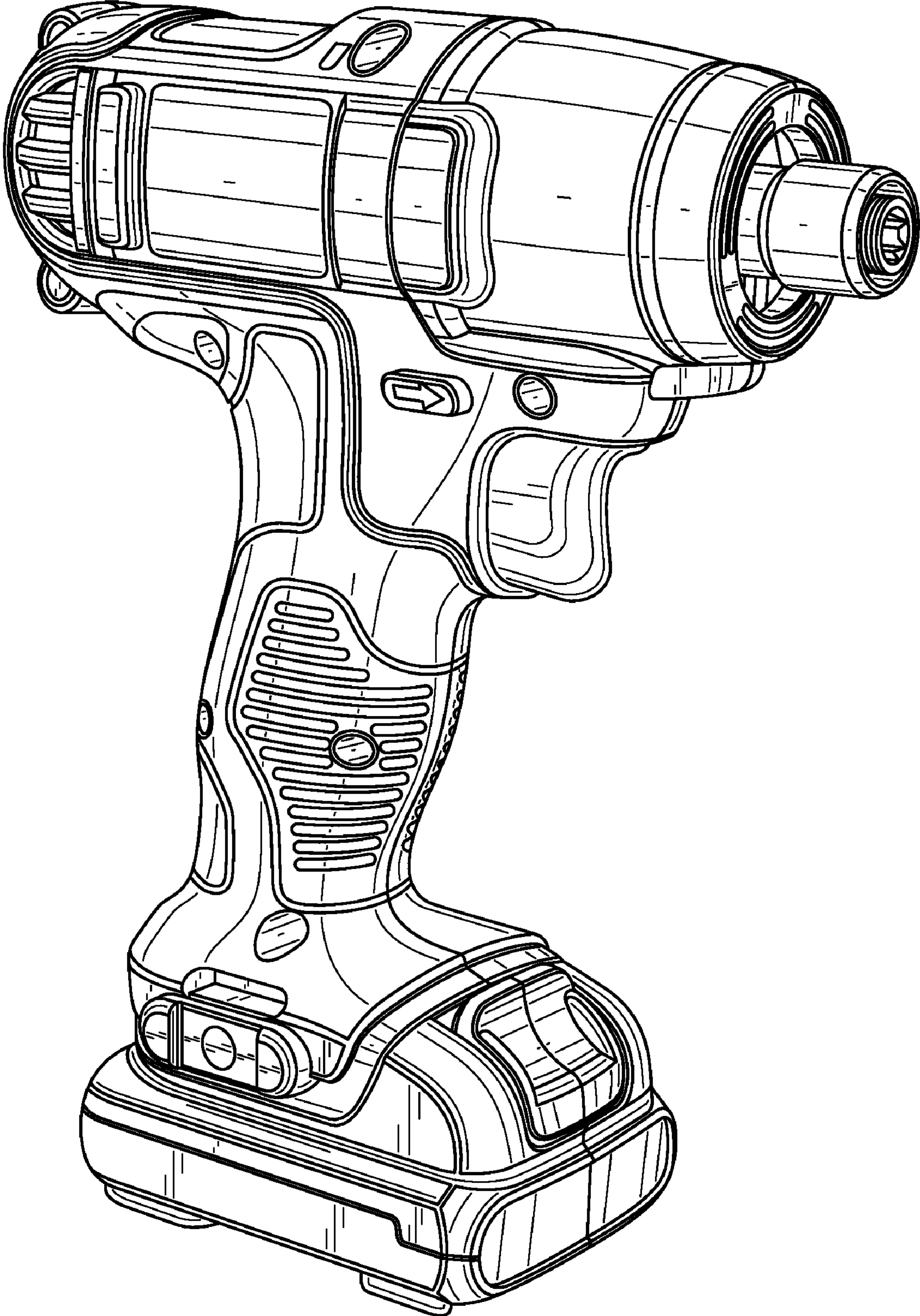


FIG. 1

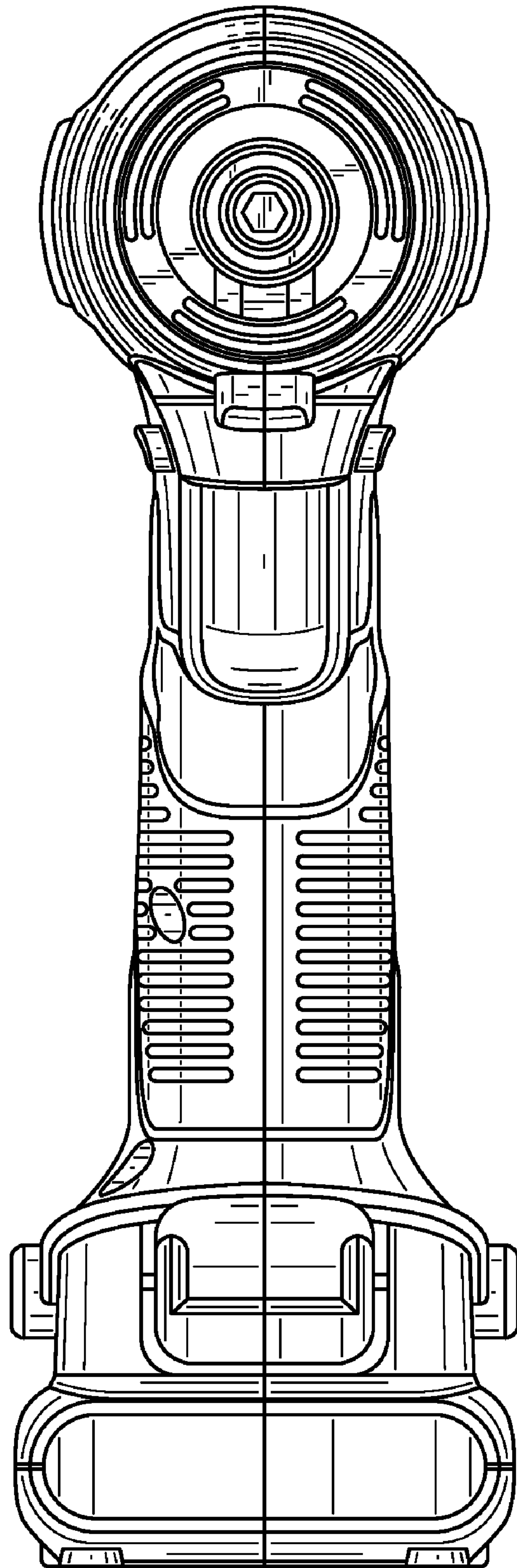


FIG. 2

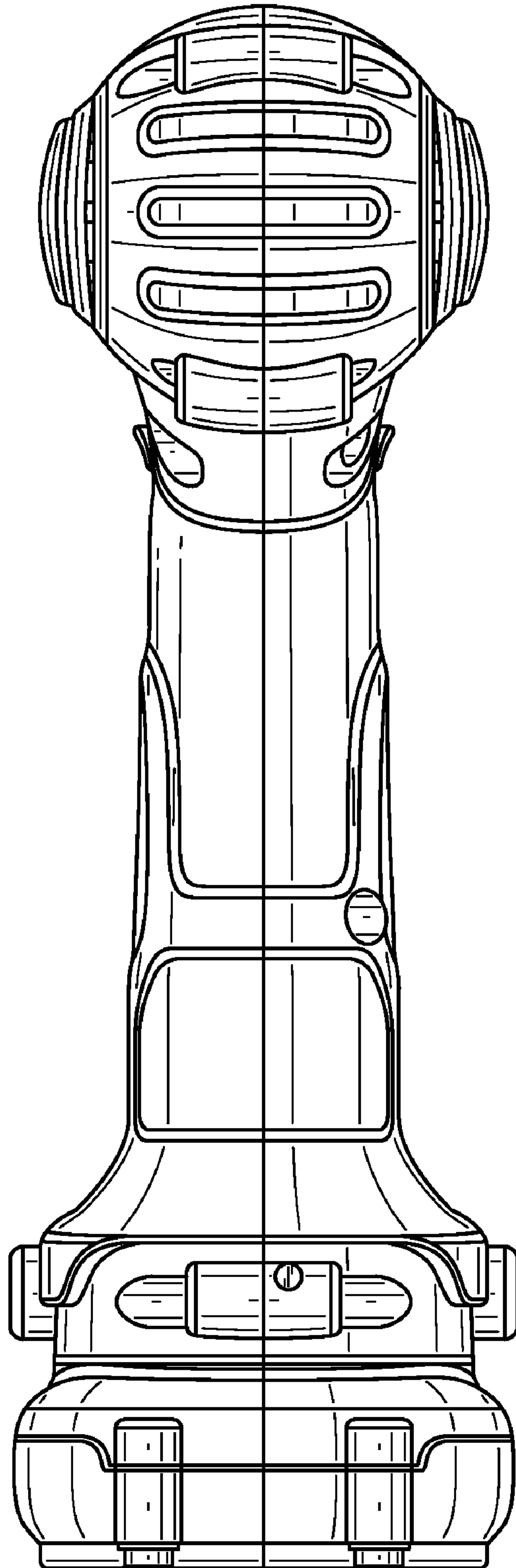


FIG. 3

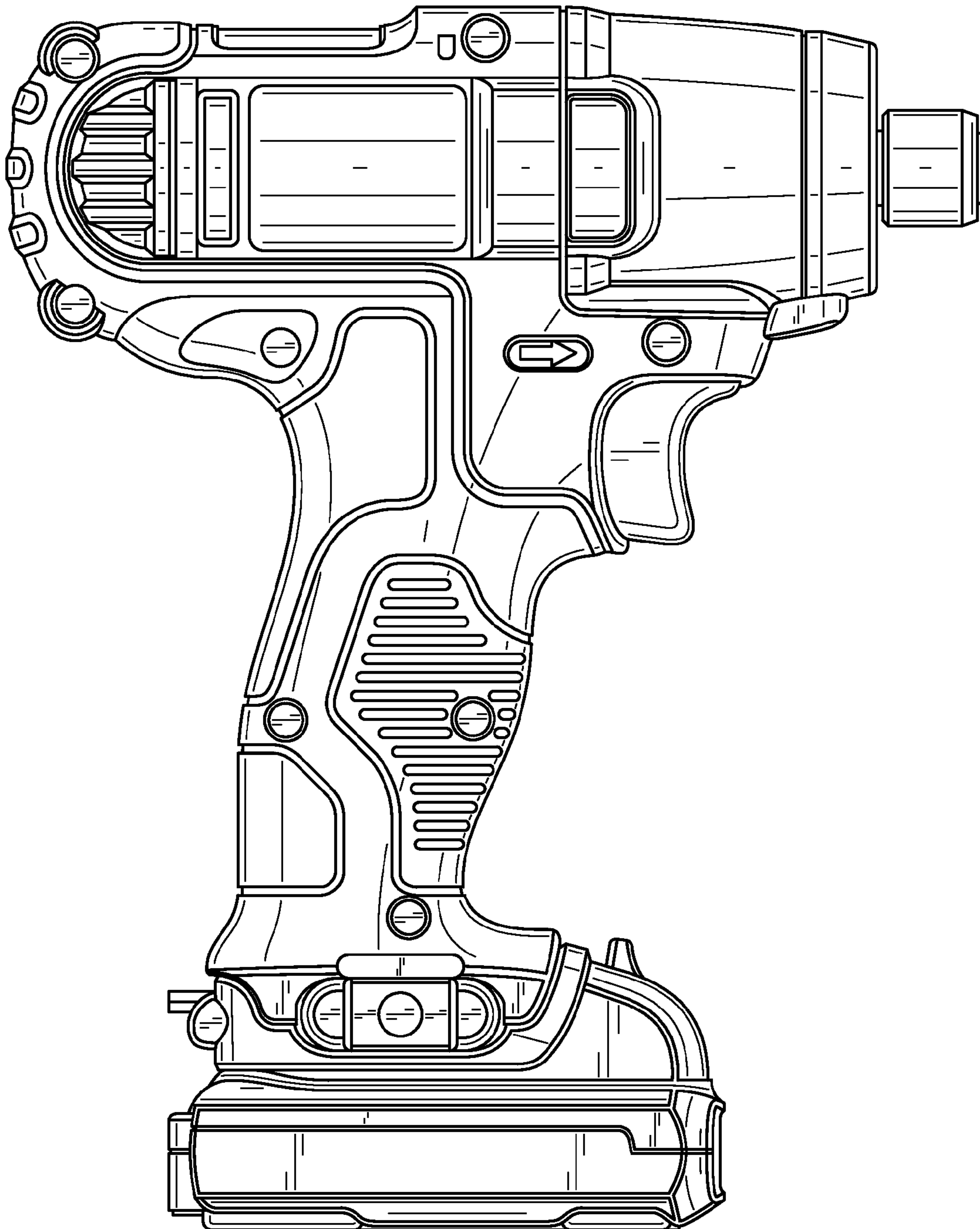


FIG. 4

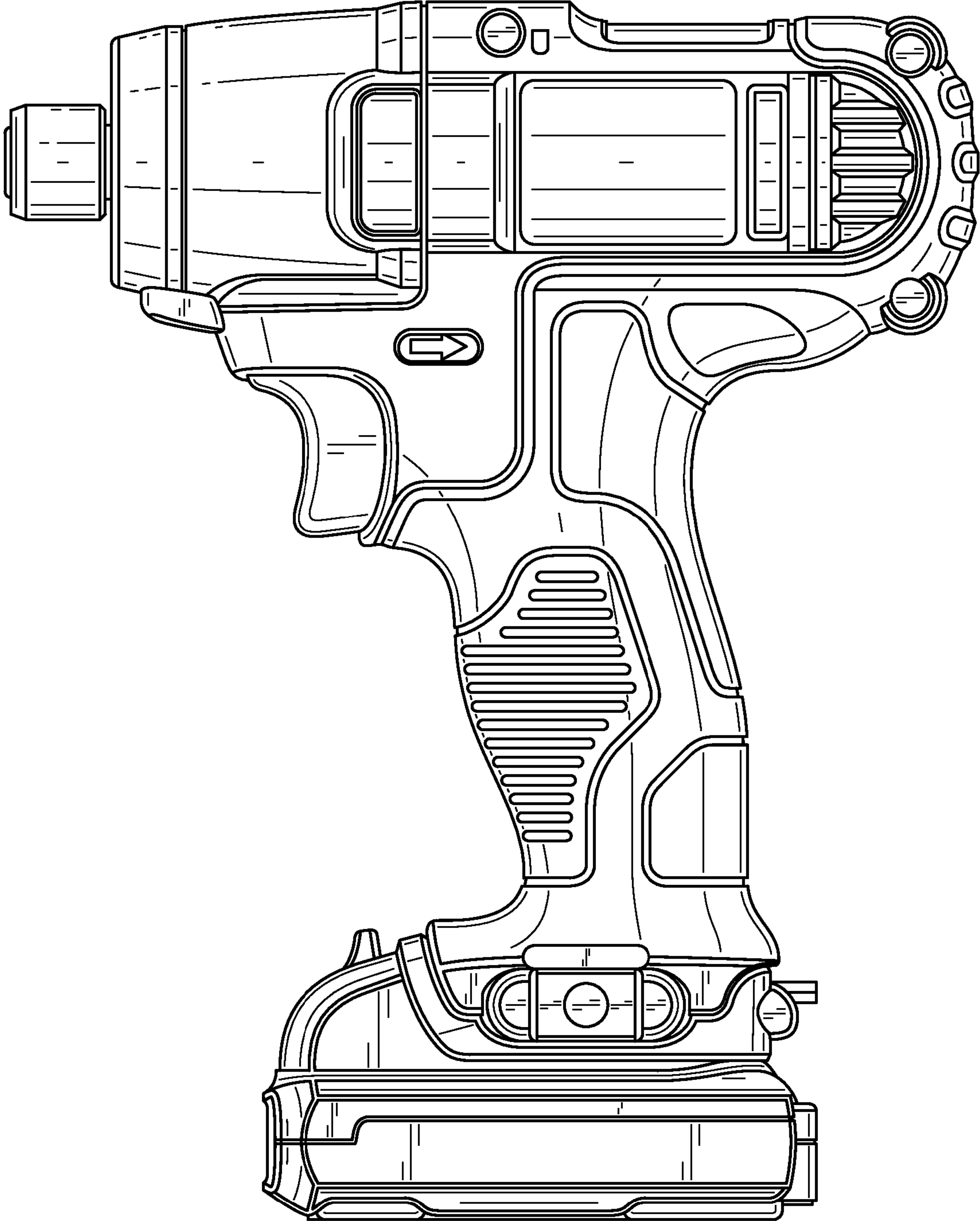


FIG. 5



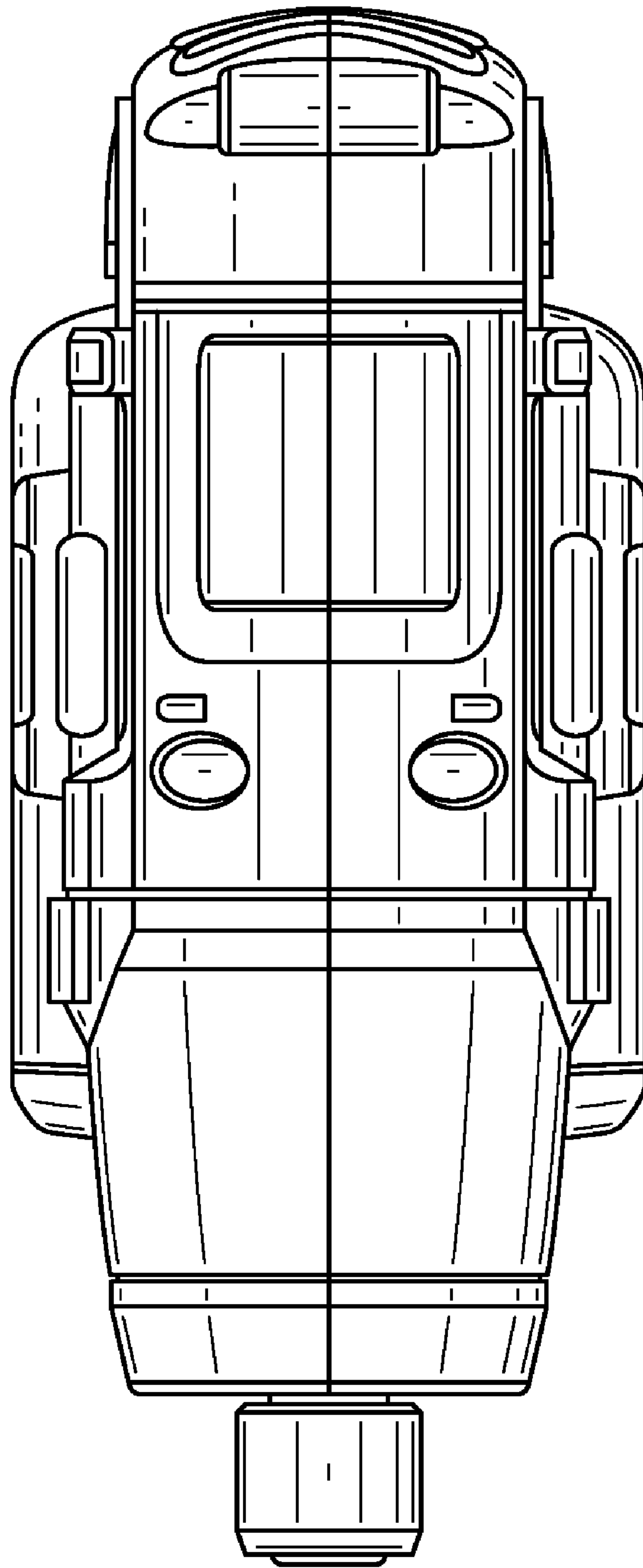


FIG. 6



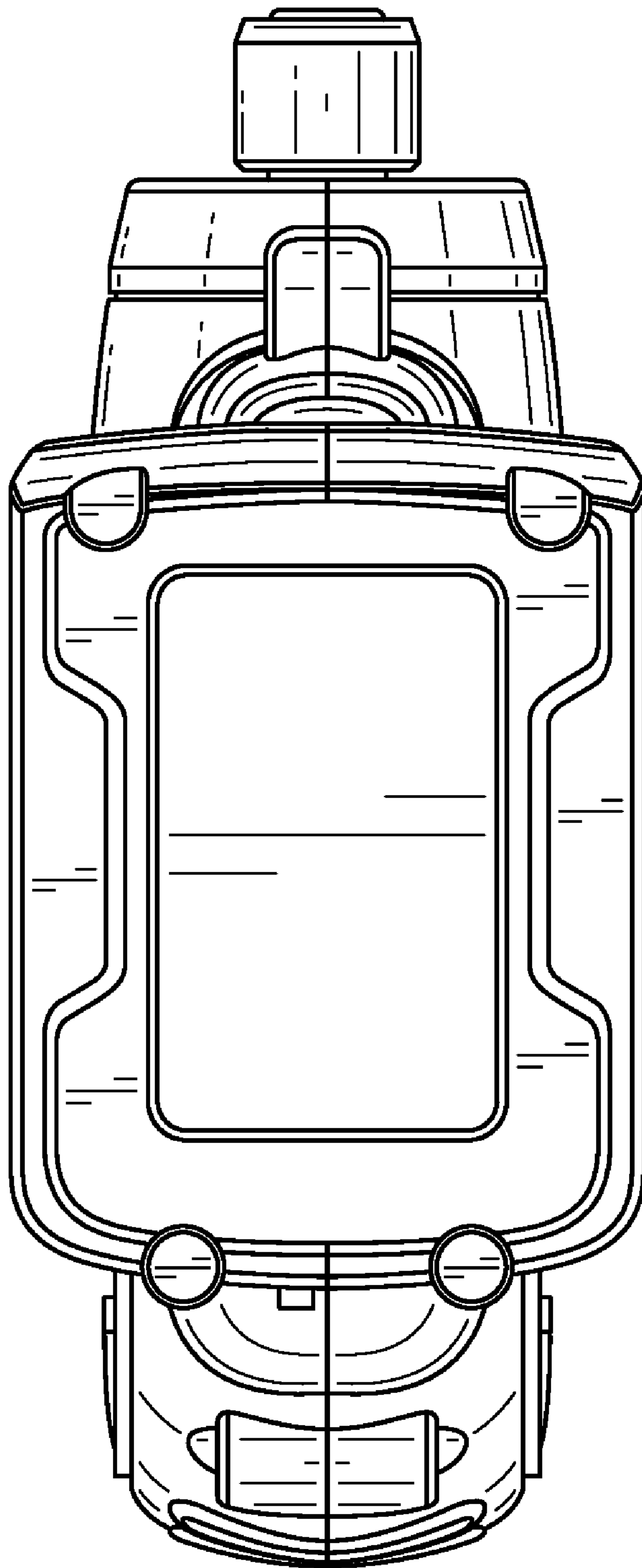


FIG. 7