



US00D617621S

(12) **United States Design Patent**
Houghton et al.

(10) **Patent No.:** **US D617,621 S**
(45) **Date of Patent:** **** Jun. 15, 2010**

(54) **DRILL**

(75) Inventors: **Stephen Houghton**, Newcastle upon Tyne (GB); **Scott Bradford**, Crook (GB)

(73) Assignee: **Black & Decker Inc.**, Newark, DE (US)

(**) Term: **14 Years**

(21) Appl. No.: **29/339,719**

(22) Filed: **Jul. 7, 2009**

(30) **Foreign Application Priority Data**

Jan. 14, 2009 (EM) 001069868

(51) **LOC (9) Cl.** **08-04**

(52) **U.S. Cl.** **D8/68**

(58) **Field of Classification Search** D8/61-70;
81/57.11, 429, 454-456, 469, 489; 173/13,
173/46, 104, 114, 167-173, 178, 201, 211,
173/213, 214, 217, 198; 227/8, 113, 114,
227/120, 130, 136, 142; 310/50; 408/20,
408/35, 117, 124, 125, 234, 241 R, 58, 67;
451/358; 7/158, 165

See application file for complete search history.

(56) **References Cited**

U.S. PATENT DOCUMENTS

D436,511 S * 1/2001 Hayakawa et al. D8/68

D510,007 S * 9/2005 Yamamoto D8/68
D525,848 S * 8/2006 Kokawa D8/68
D581,762 S * 12/2008 Aglassinger D8/68
D589,317 S * 3/2009 Okuda D8/68
D593,831 S * 6/2009 Van Wambeke et al. D8/68
D599,639 S * 9/2009 Bradford et al. D8/68
D605,014 S * 12/2009 Yamamoto D8/68
2002/0054798 A1 * 5/2002 Dils et al. 408/124

* cited by examiner

Primary Examiner—Antoine D Davis

(74) *Attorney, Agent, or Firm*—Bruce S. Shapiro; John Yun; Stephen Valancius

(57) **CLAIM**

The ornamental design for a drill, as shown and described.

DESCRIPTION

FIG. 1 is a right/front perspective view of our new design.

FIG. 2 is a right side view thereof.

FIG. 3 is a left side view thereof.

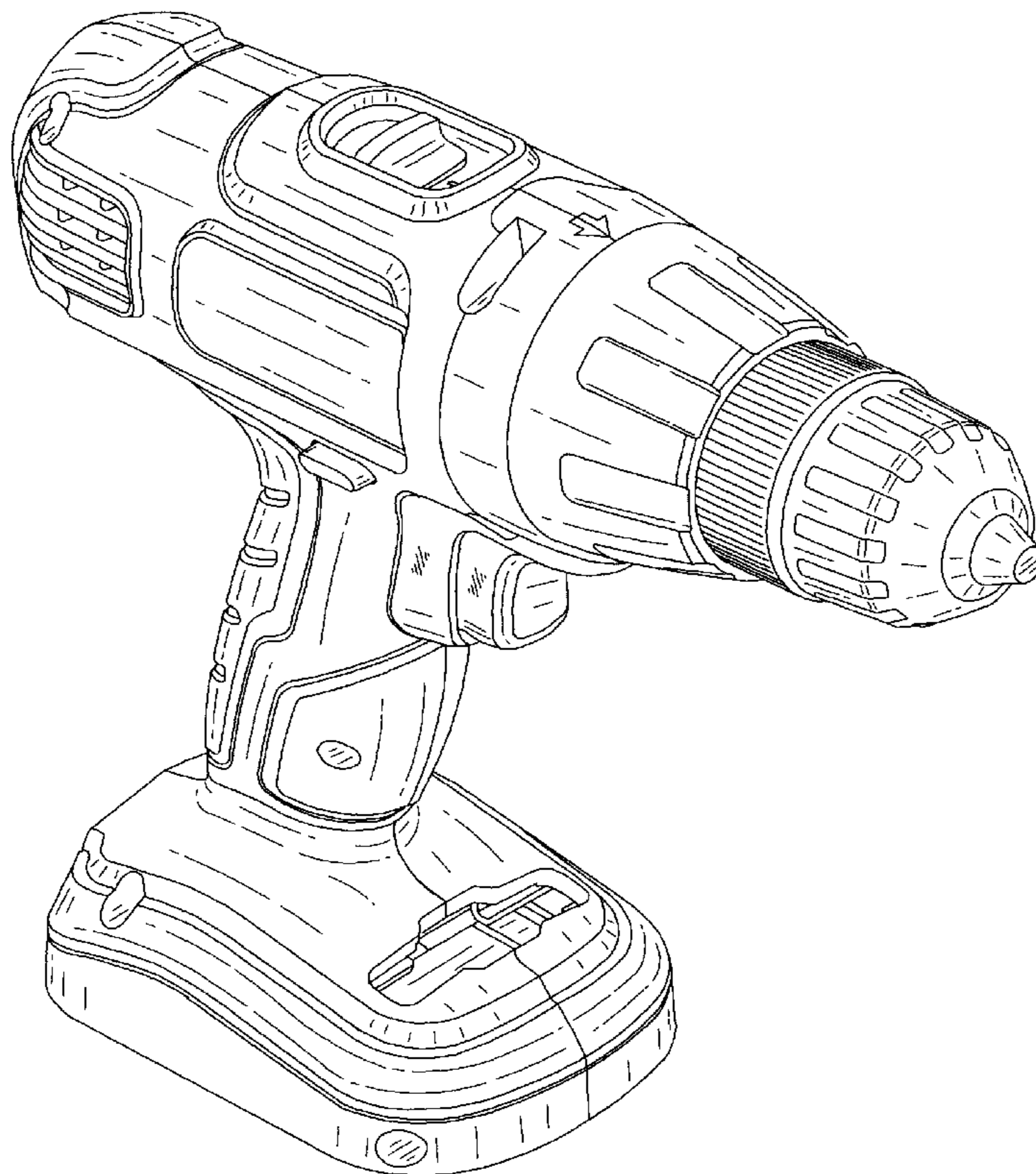
FIG. 4 is a top view thereof.

FIG. 5 is a bottom view thereof.

FIG. 6 is a front view thereof; and,

FIG. 7 is a rear view thereof.

1 Claim, 5 Drawing Sheets



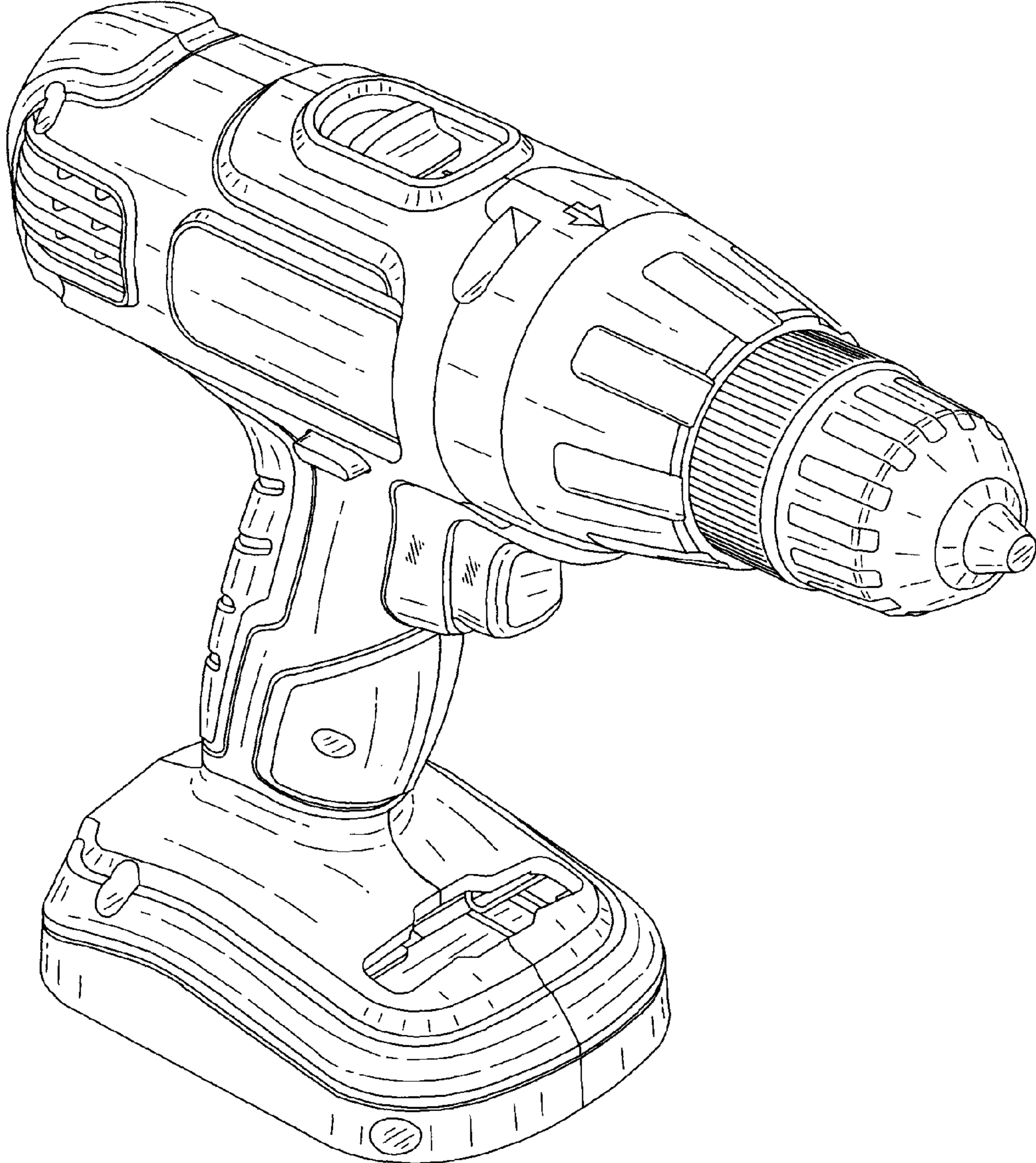


FIG.1

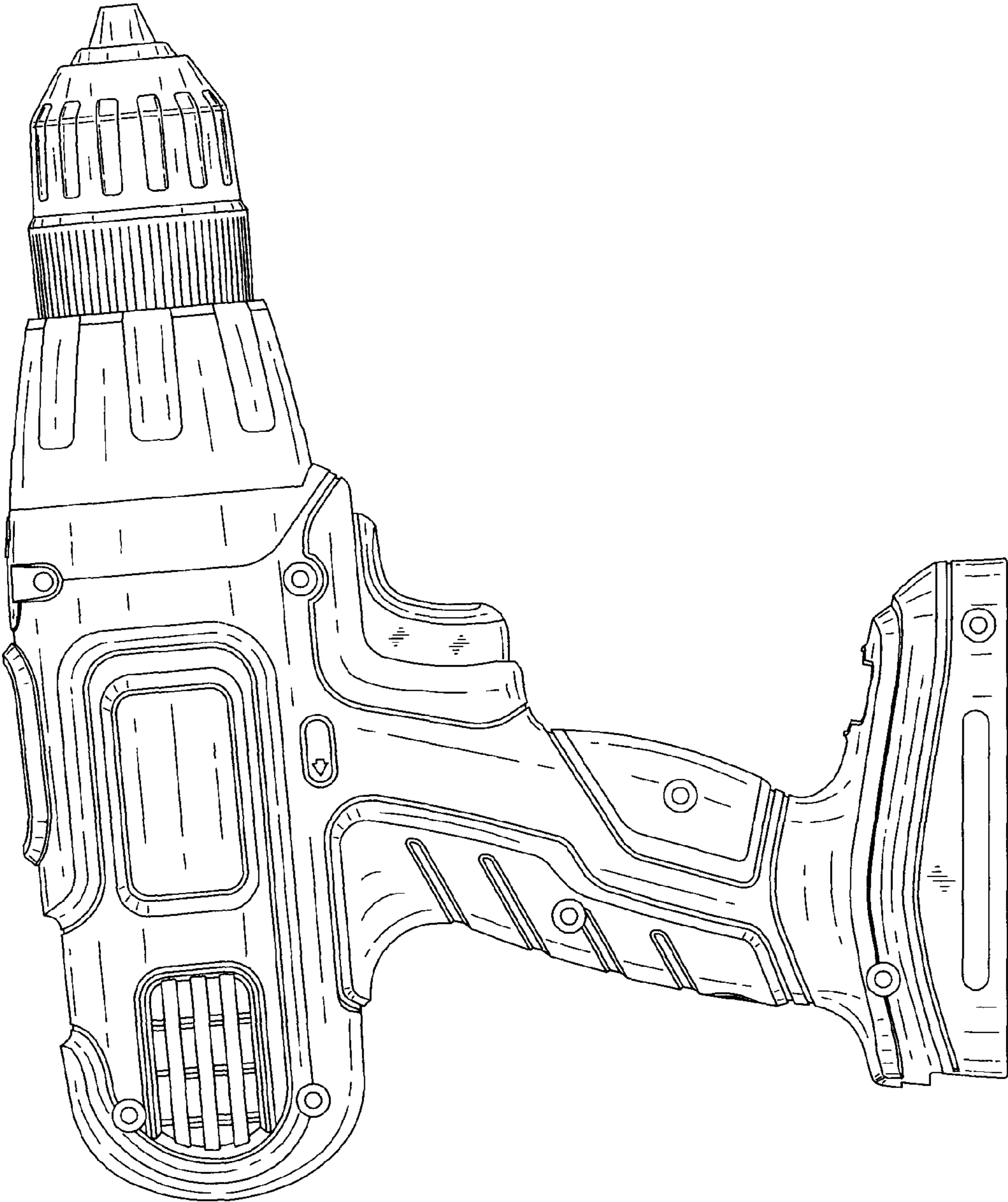


FIG.2

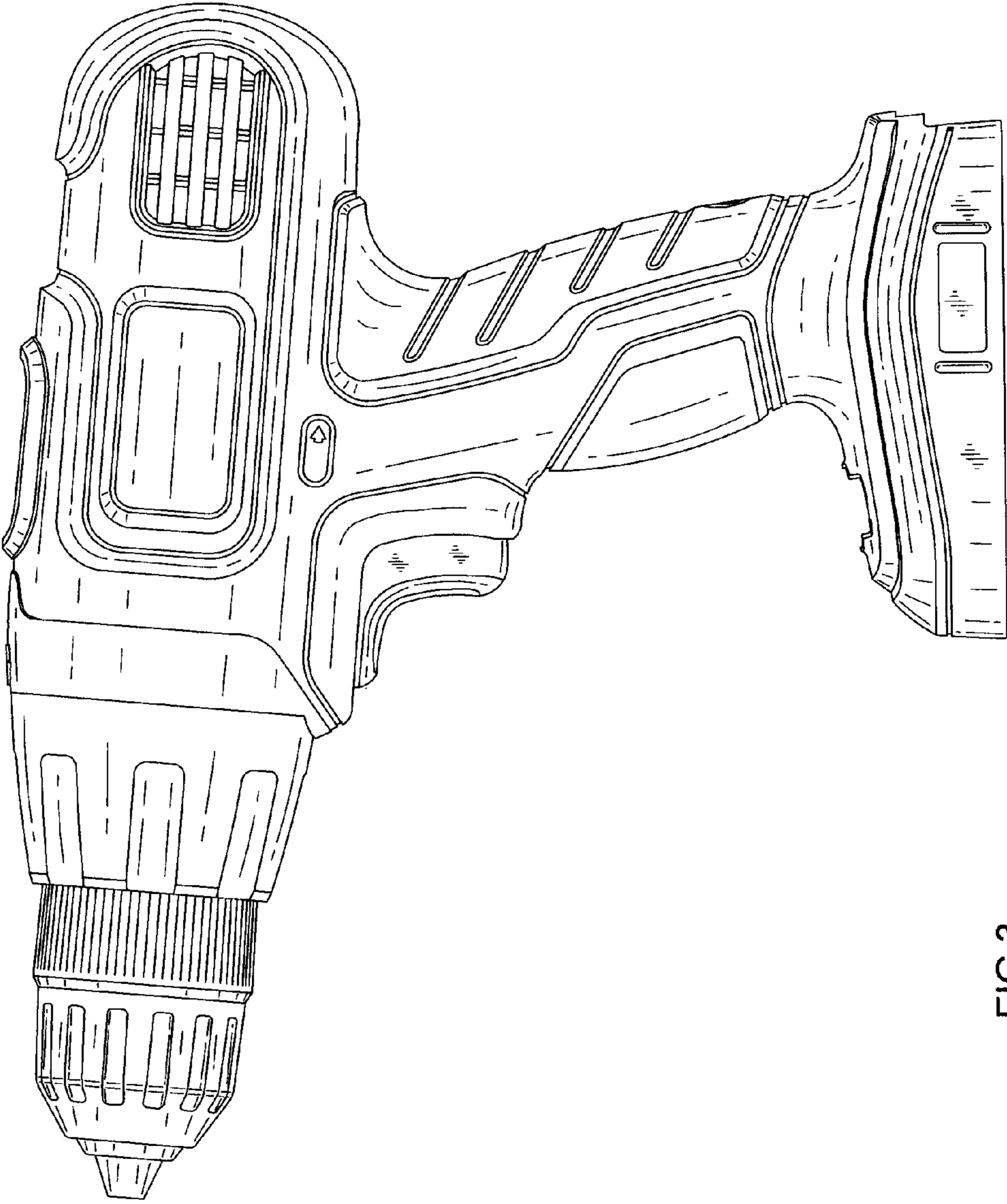


FIG.3

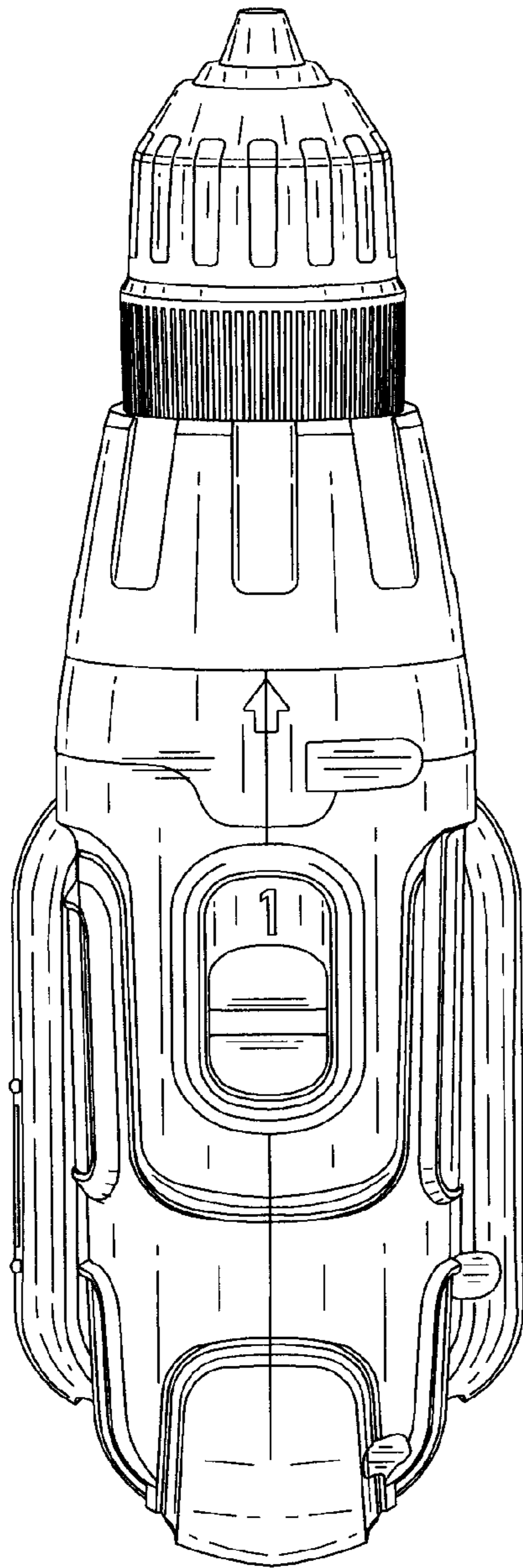


FIG.4

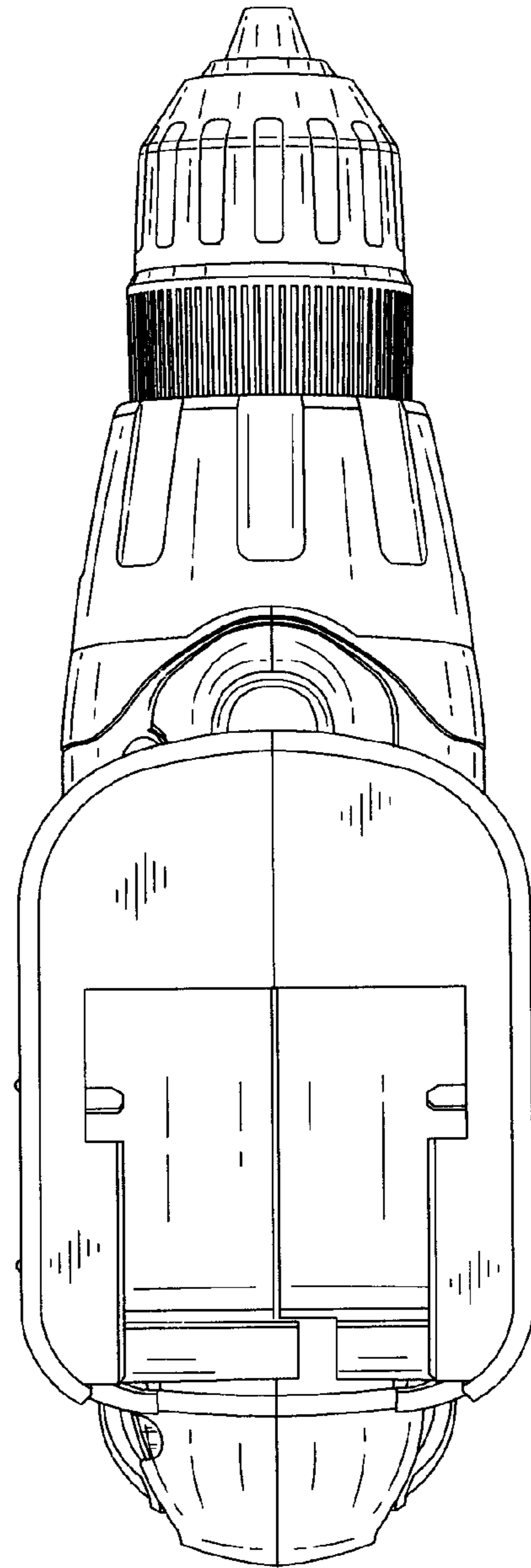


FIG.5

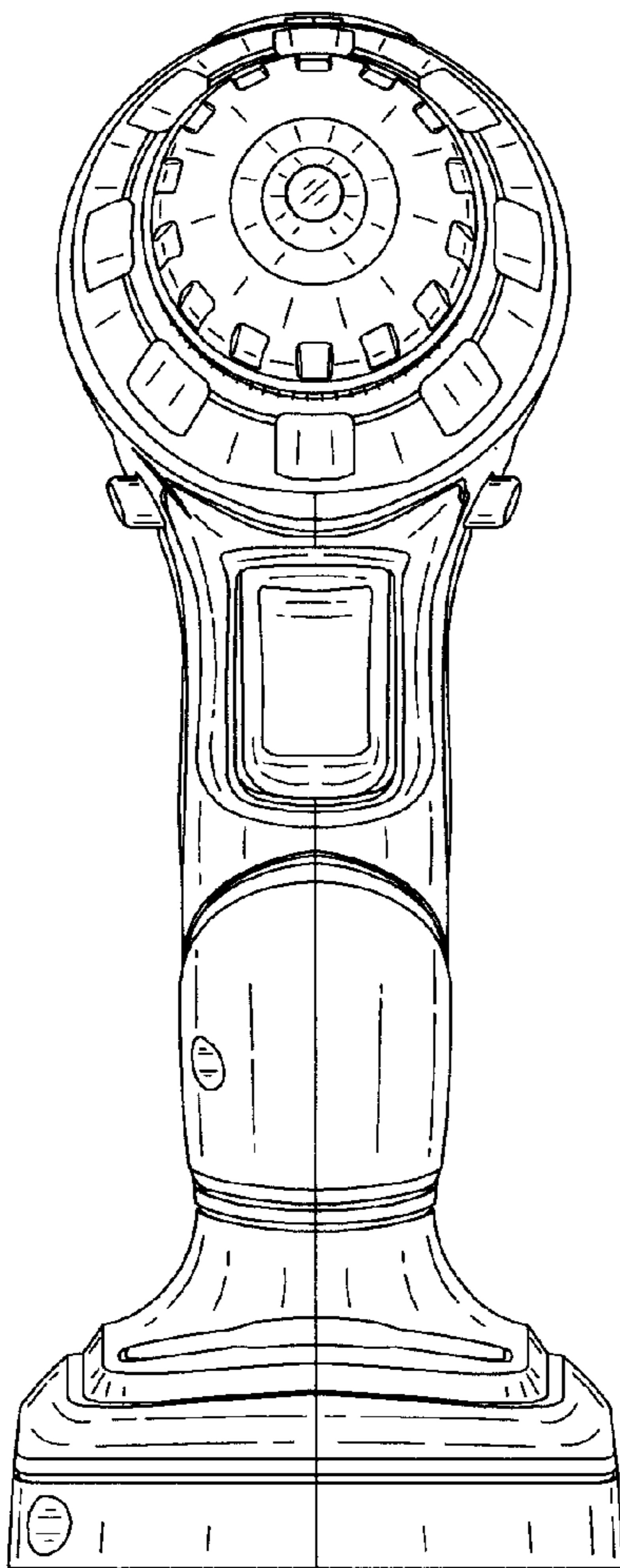


FIG. 6

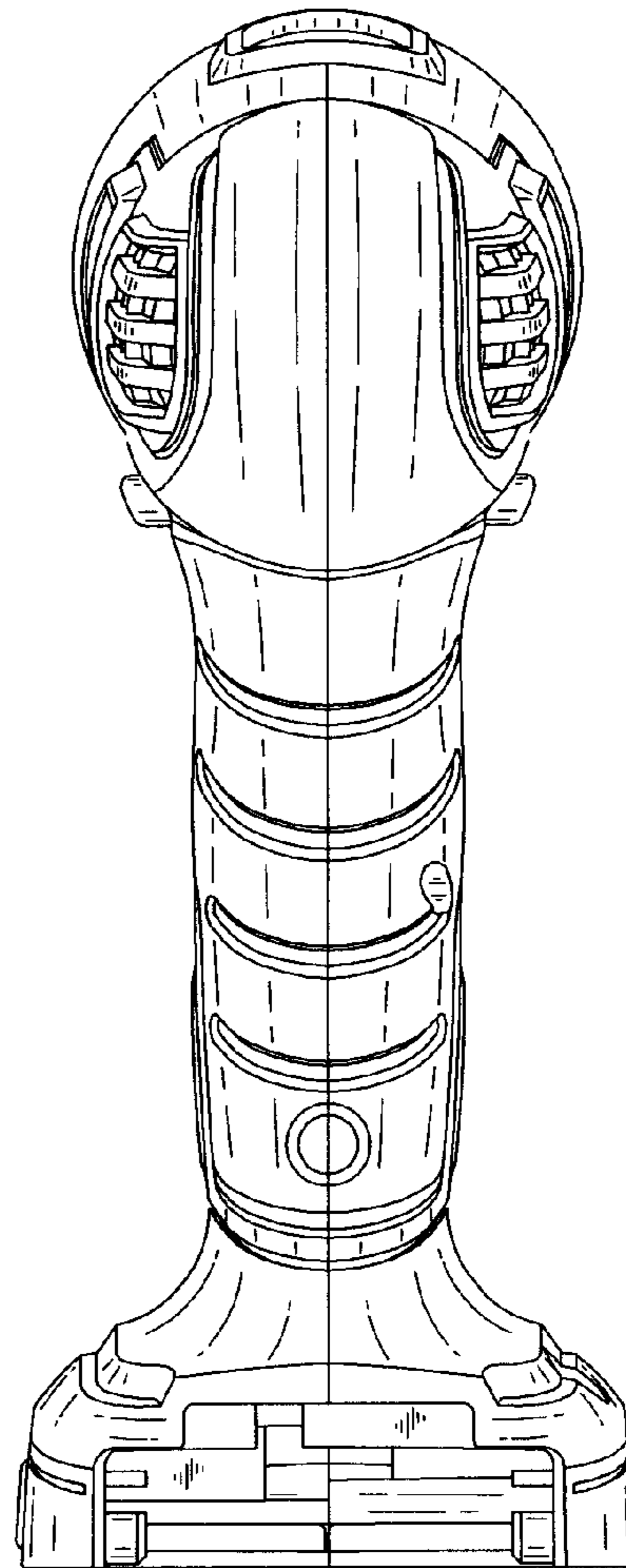


FIG. 7