



US00D617620S

(12) **United States Design Patent**
Yaschur et al.

(10) **Patent No.:** **US D617,620 S**
(45) **Date of Patent:** **** *Jun. 15, 2010**

(54) **POWER RATCHET WRENCH**
(75) Inventors: **Jefferey C. Yaschur**, Doylestown, PA (US); **James F. Bouchard**, Bethlehem, PA (US); **Douglas E. Souls**, Andover, NJ (US)

5,622,089 A 4/1997 Gifford, Sr.
5,636,698 A 6/1997 Estep et al.
5,896,789 A 4/1999 Giardino
6,093,128 A 7/2000 Seith
D440,848 S 4/2001 Izumisawa

(73) Assignee: **Ingersoll-Rand Company**, Montvale, NJ (US)

(Continued)

(**) Term: **14 Years**

OTHER PUBLICATIONS

(21) Appl. No.: **29/338,084**

Ingersoll Rand, photos of tools, Ingersoll Rand—107, Matco—1848, Snap on—FAR7200, Mac-AR154, Chicago Pneumatic— 828, at least as early as Nov. 6, 2007.

(22) Filed: **Jun. 4, 2009**

Primary Examiner—Cathron C Brooks

(51) **LOC (9) Cl.** **08-01**

Assistant Examiner—Austin Murphy

(52) **U.S. Cl.** **D8/61**

(74) *Attorney, Agent, or Firm*—Michael Best & Friedrich LLP

(58) **Field of Classification Search** D8/61,
D8/62, 67, 69; 81/57, 57.11, 57.14, 57.26,
81/429, 464, 469; 173/2, 170, 176, 181

(57) **CLAIM**

See application file for complete search history.

I claim the ornamental design for a power ratchet wrench, as shown and described.

(56) **References Cited**

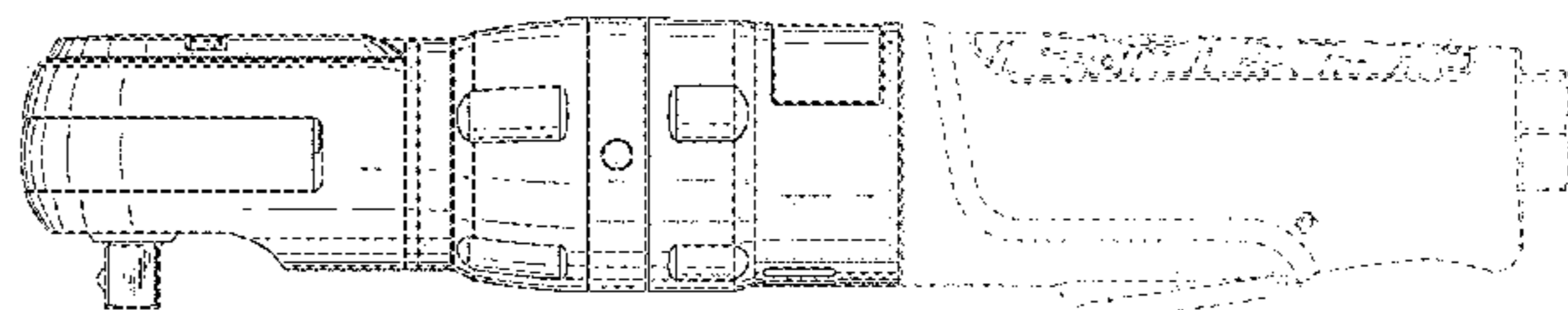
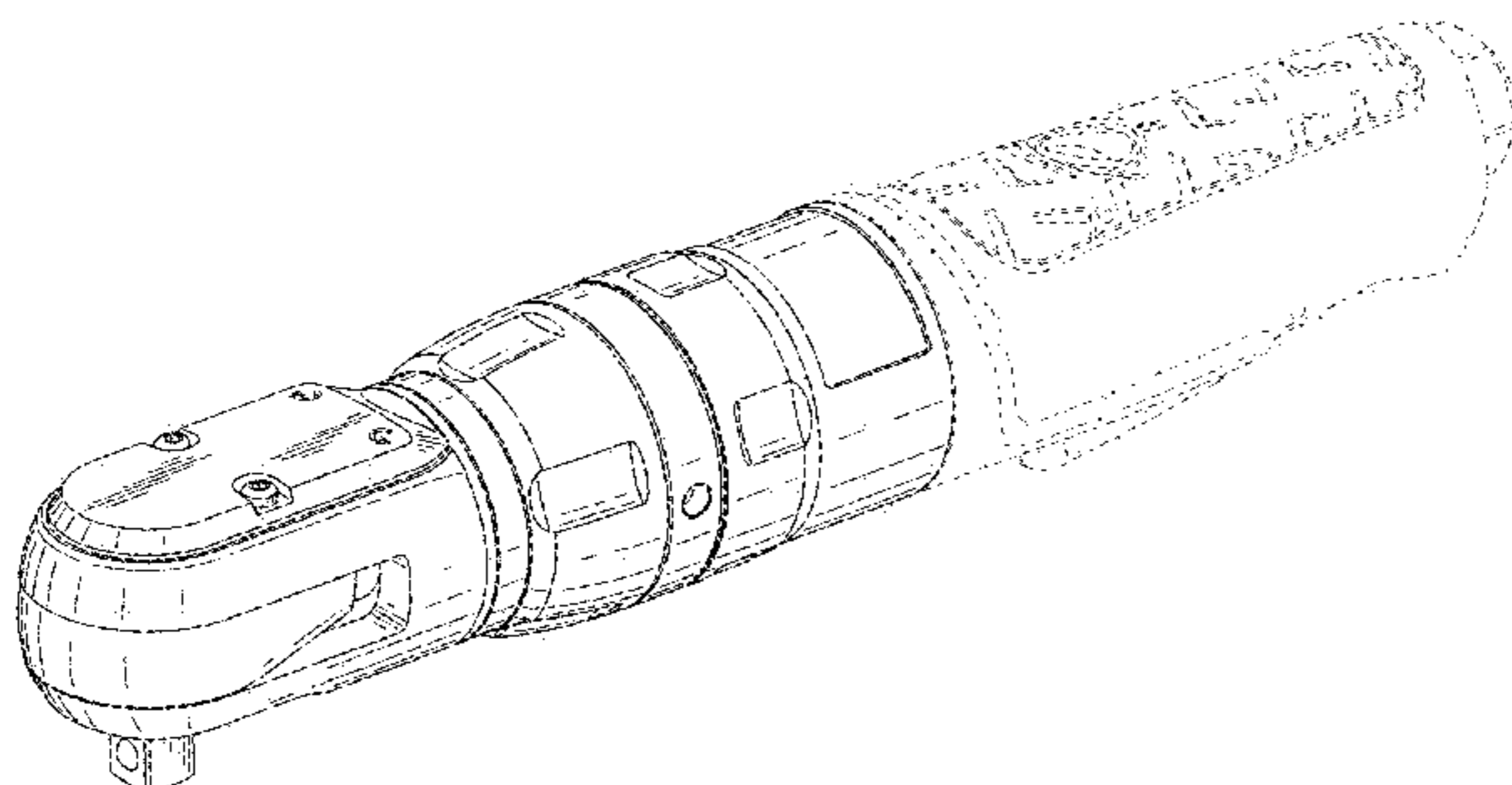
DESCRIPTION

U.S. PATENT DOCUMENTS

- 1,164,764 A 12/1915 Skjervem
- 1,913,669 A 6/1933 Heald
- 3,529,498 A 9/1970 Northcutt
- 4,245,528 A 1/1981 Hugh et al.
- 4,300,413 A 11/1981 Garofalo
- 4,406,183 A 9/1983 Wix
- 4,445,404 A 5/1984 Parker
- 4,480,510 A 11/1984 Aparicio, Jr. et al.
- 4,766,784 A 8/1988 Lai
- 4,919,022 A 4/1990 Ono et al.
- RE33,711 E 10/1991 Ono et al.
- 5,237,885 A 8/1993 Putney et al.
- 5,251,706 A 10/1993 Evans
- 5,309,796 A 5/1994 Jones
- 5,535,646 A 7/1996 Allen et al.
- 5,582,080 A 12/1996 Barmore

FIG. 1 is a perspective view of a power ratchet wrench.
FIG. 2 is a left side view of the power ratchet wrench.
FIG. 3 is a right side view of the power ratchet wrench.
FIG. 4 is a top view of the power ratchet wrench.
FIG. 5 is a bottom view of the power ratchet wrench.
FIG. 6 is a front view of the power ratchet wrench; and,
FIG. 7 is a rear view of the power ratchet wrench.
The broken line showing of portions of the power ratchet wrench form no part of the claimed design.

1 Claim, 4 Drawing Sheets



US D617,620 S

Page 2

U.S. PATENT DOCUMENTS

6,282,990	B1	9/2001	Miner				
D449,212	S *	10/2001	Price et al.	D8/107		
6,311,583	B1	11/2001	Izumisawa				
6,490,953	B2	12/2002	Horvath				
D468,607	S *	1/2003	Price et al.	D8/61		
6,578,643	B2	6/2003	Izumisawa				
6,640,669	B2	11/2003	Izumisawa				
D496,568	S	9/2004	Izumisawa				
6,789,448	B2	9/2004	Ono et al.				
6,860,174	B2	3/2005	Kusama				
6,915,721	B2	7/2005	Hsu et al.				
6,923,095	B2	8/2005	Horvath				
D519,799	S *	5/2006	Izumisawa	D8/25		
D521,824	S *	5/2006	Albertson et al.	D8/25		
7,059,217	B2	6/2006	Horvath				
D524,617	S *	7/2006	Schiller et al.	D8/61		
D525,501	S *	7/2006	Chen	D8/61		
D527,593	S	9/2006	Price et al.				
7,121,167	B1	10/2006	Miner				
D535,535	S *	1/2007	Baker	D8/25		
D554,460	S	11/2007	Enriquez				
D576,460	S *	9/2008	Price et al.	D8/61		
D578,852	S	10/2008	Enriquez				
D580,248	S *	11/2008	Rane et al.	D8/61		
D587,080	S *	2/2009	Rane et al.	D8/61		
2005/0211026	A1	9/2005	Cheng				

* cited by examiner

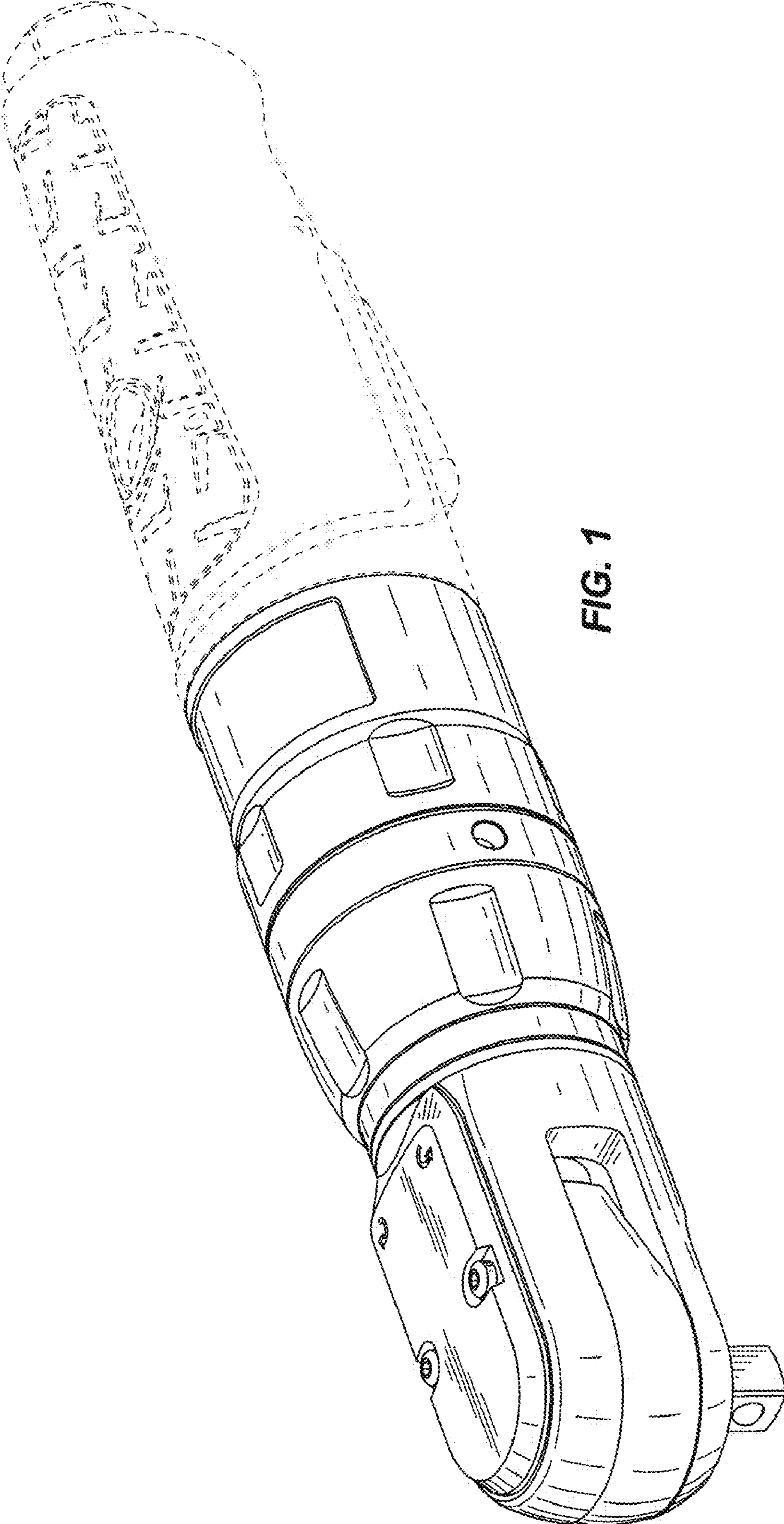


FIG. 1

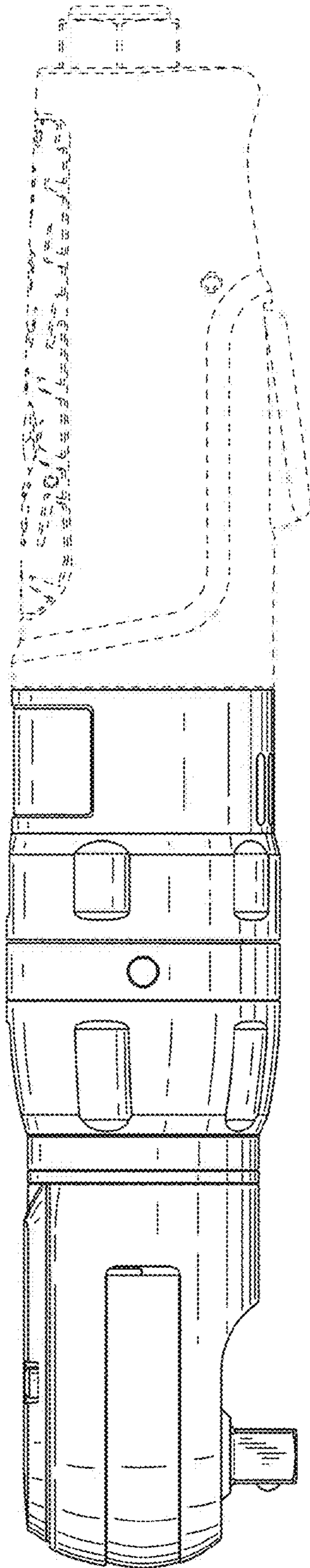


FIG. 2

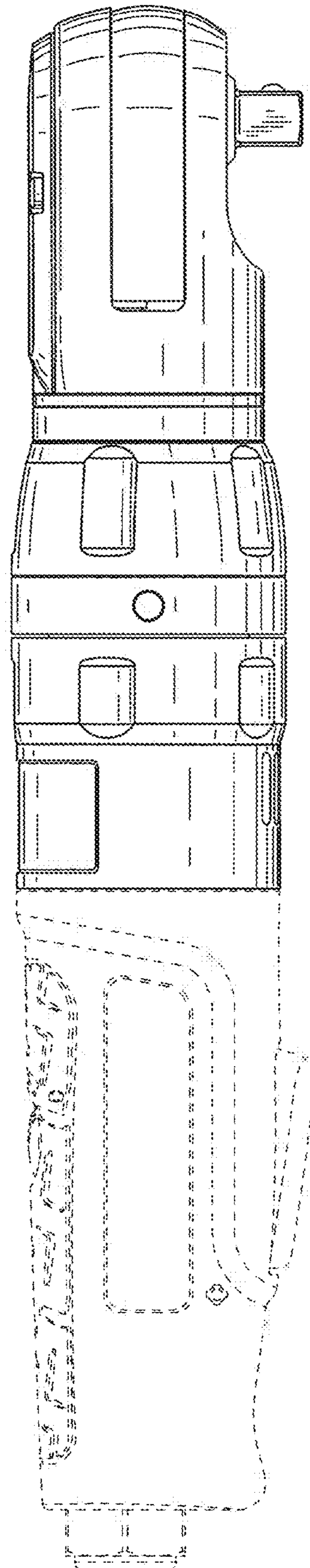


FIG. 3

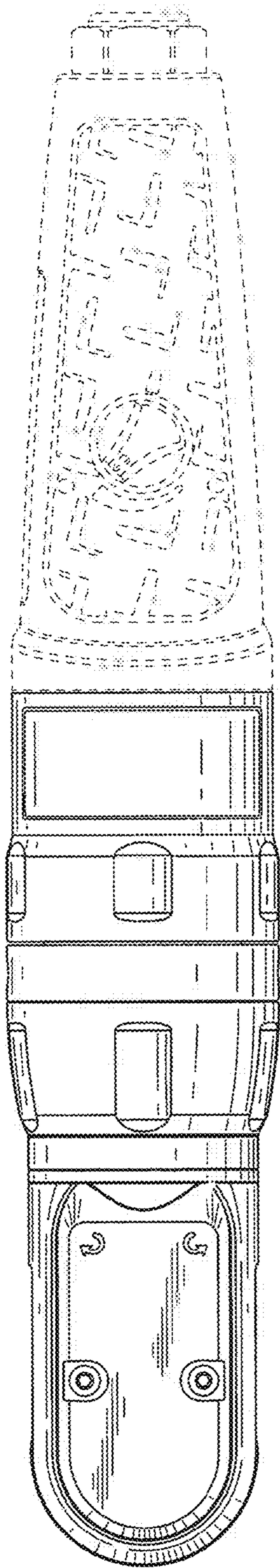


FIG. 4

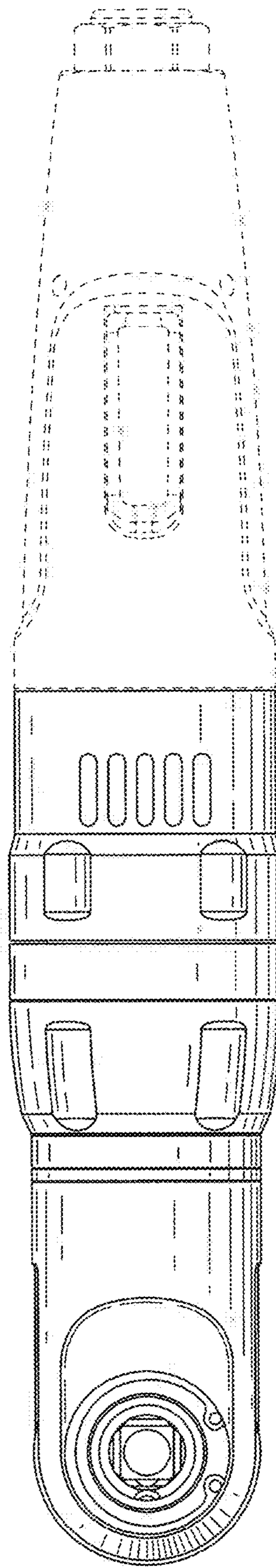


FIG. 5

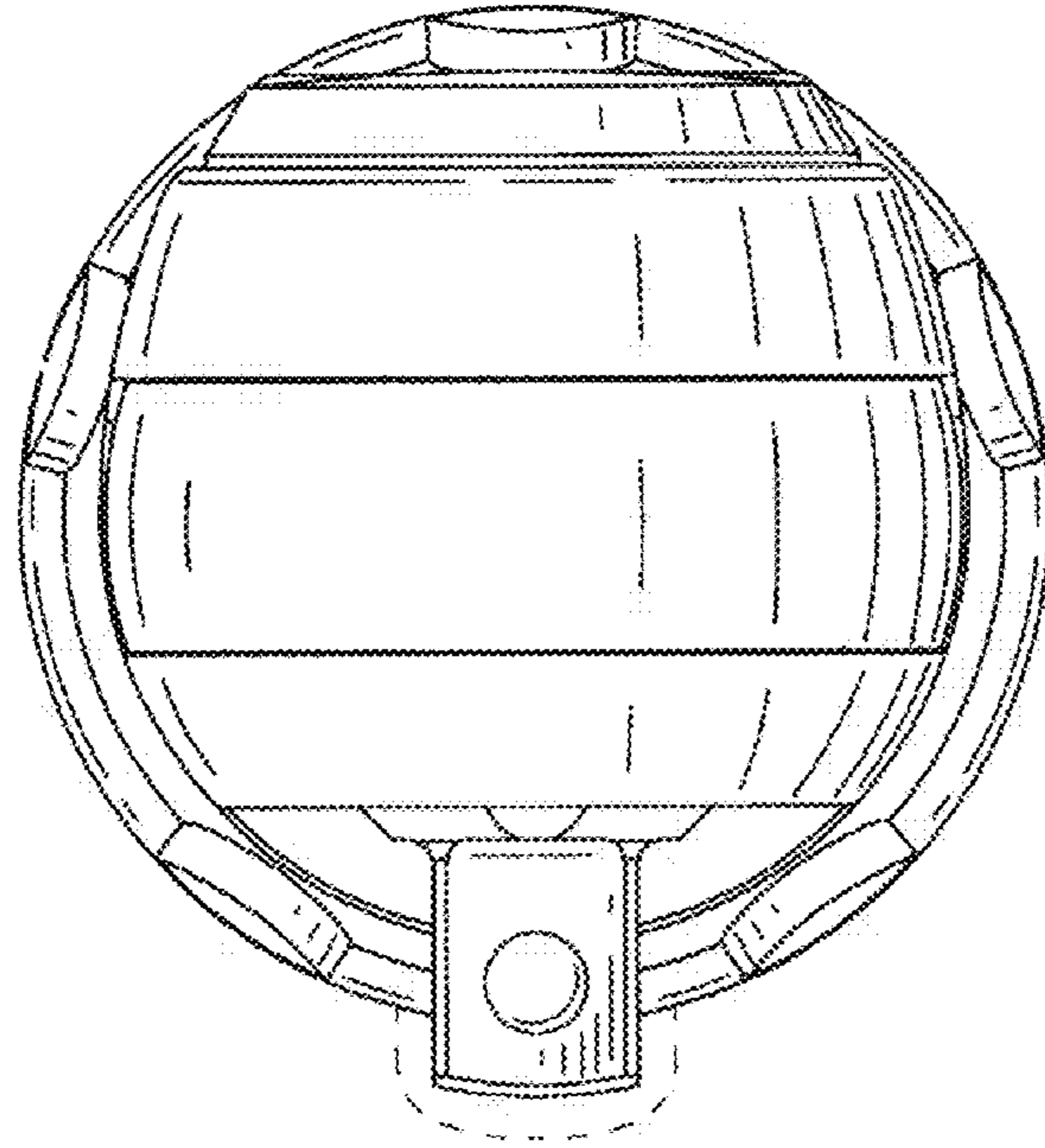


FIG. 6

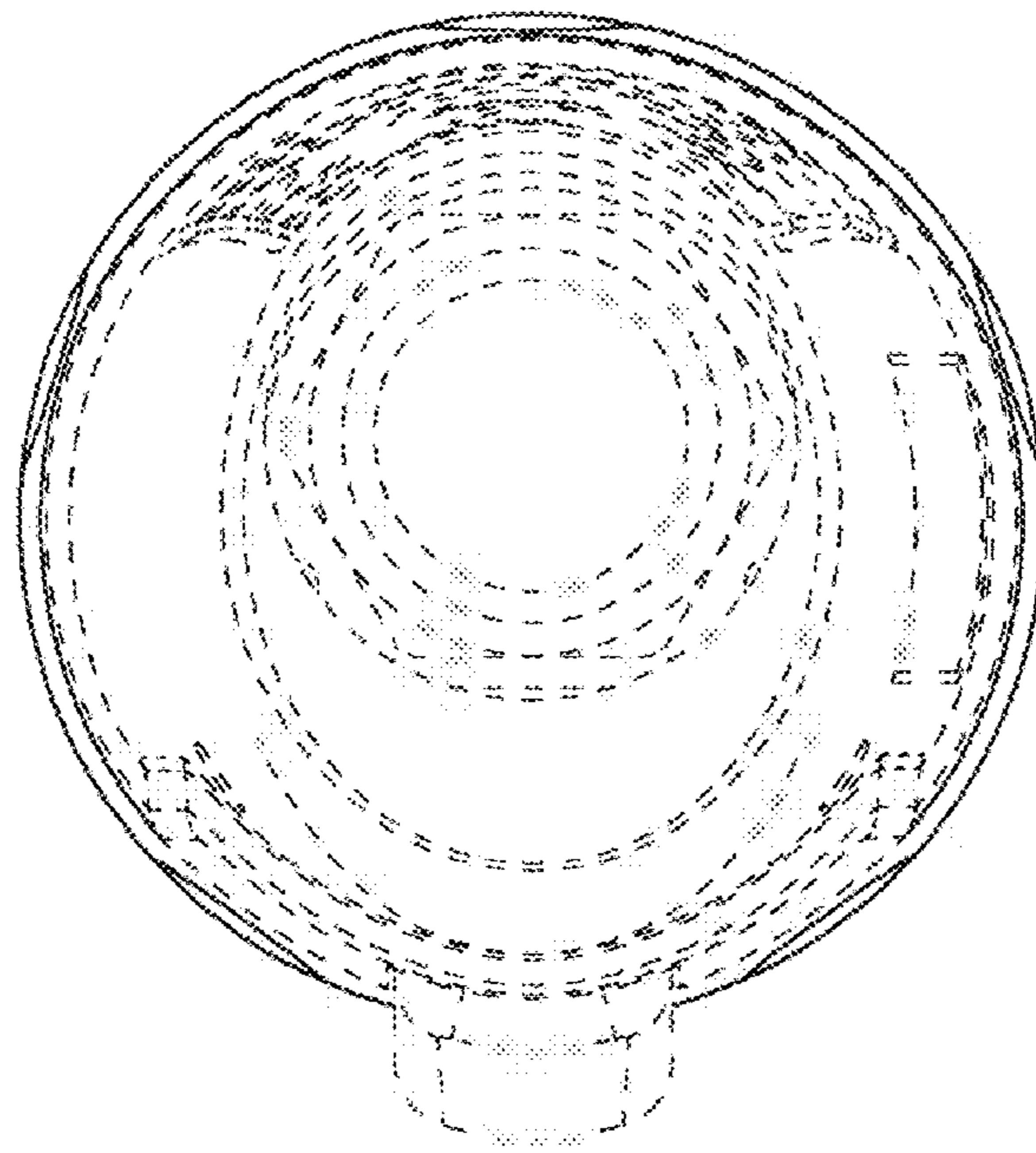


FIG. 7