



US00D617617S

(12) **United States Design Patent**
Garcia et al.

(10) **Patent No.:** **US D617,617 S**

(45) **Date of Patent:** **** Jun. 15, 2010**

(54) **WRENCH HANDLE**

(75) Inventors: **Michael Garcia**, Oakland Park, FL
(US); **Glenn Robinson**, Coral Springs,
FL (US); **Joseph Deguglimo**, Boca
Raton, FL (US)

(73) Assignee: **IBT Holdings, Inc.**, Deerfield Beach, FL
(US)

(**) Term: **14 Years**

(21) Appl. No.: **29/348,642**

(22) Filed: **Jan. 27, 2010**

(51) **LOC (9) Cl.** **08-05**

(52) **U.S. Cl.** **D8/22**

(58) **Field of Classification Search** D8/17,
D8/21-29, 97, 107; 81/60, 177.1, 177.85,
81/121.1, 124.3, 165-170, 110.1, 176.2,
81/124.6, 176.1, 176.15, 177.2, 186; 16/110.1;
D15/144.1; 219/75, 227, 229, 121.16, 121.18
See application file for complete search history.

(56) **References Cited**

U.S. PATENT DOCUMENTS

D447,040	S	*	8/2001	Douglas et al.	D8/22
D454,046	S	*	3/2002	Hsieh	D8/107
6,401,576	B1	*	6/2002	Wu	81/177.4
6,418,820	B1	*	7/2002	Lamond et al.	81/177.1
D468,617	S	*	1/2003	Wang	D8/107
D534,781	S	*	1/2007	Chen	D8/107

D542,619	S	*	5/2007	Hung	D8/107
D542,620	S	*	5/2007	Thompson et al.	D8/107
D567,019	S	*	4/2008	Gonzalez	D7/395
D572,548	S	*	7/2008	Chen	D8/25
D613,005	S	*	3/2010	Lin	D30/159
2004/0163501	A1	*	8/2004	Chen	81/177.1

* cited by examiner

Primary Examiner—Robert M Spear

Assistant Examiner—Randall H Gholson

(74) *Attorney, Agent, or Firm*—Dan M. DeLaRosa

(57) **CLAIM**

The ornamental design for a wrench handle, as shown and described.

DESCRIPTION

FIG. 1 is a front perspective view of the wrench handle of the present invention showing my new design;

FIG. 2 is a rear perspective view of the wrench handle;

FIG. 3 is a front side elevational view thereof;

FIG. 4 is a back side elevational view thereof;

FIG. 5 is a side elevational view thereof;

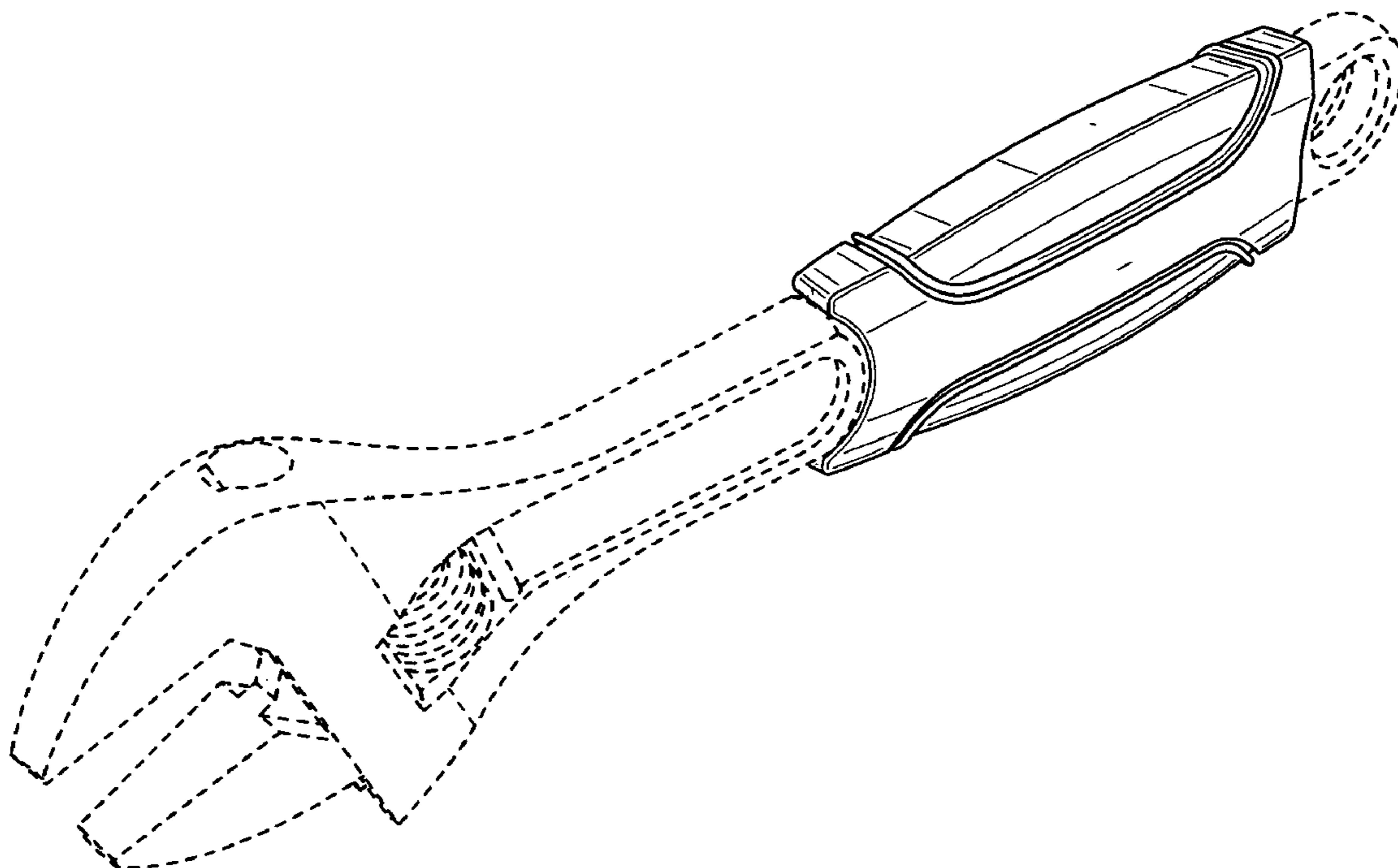
FIG. 6 is another side elevational view thereof;

FIG. 7 is a top plan view thereof; and,

FIG. 8 is a bottom plan view thereof.

The broken lines shown on the drawings illustrate environmental structure only and form no part of the claimed design.

1 Claim, 5 Drawing Sheets



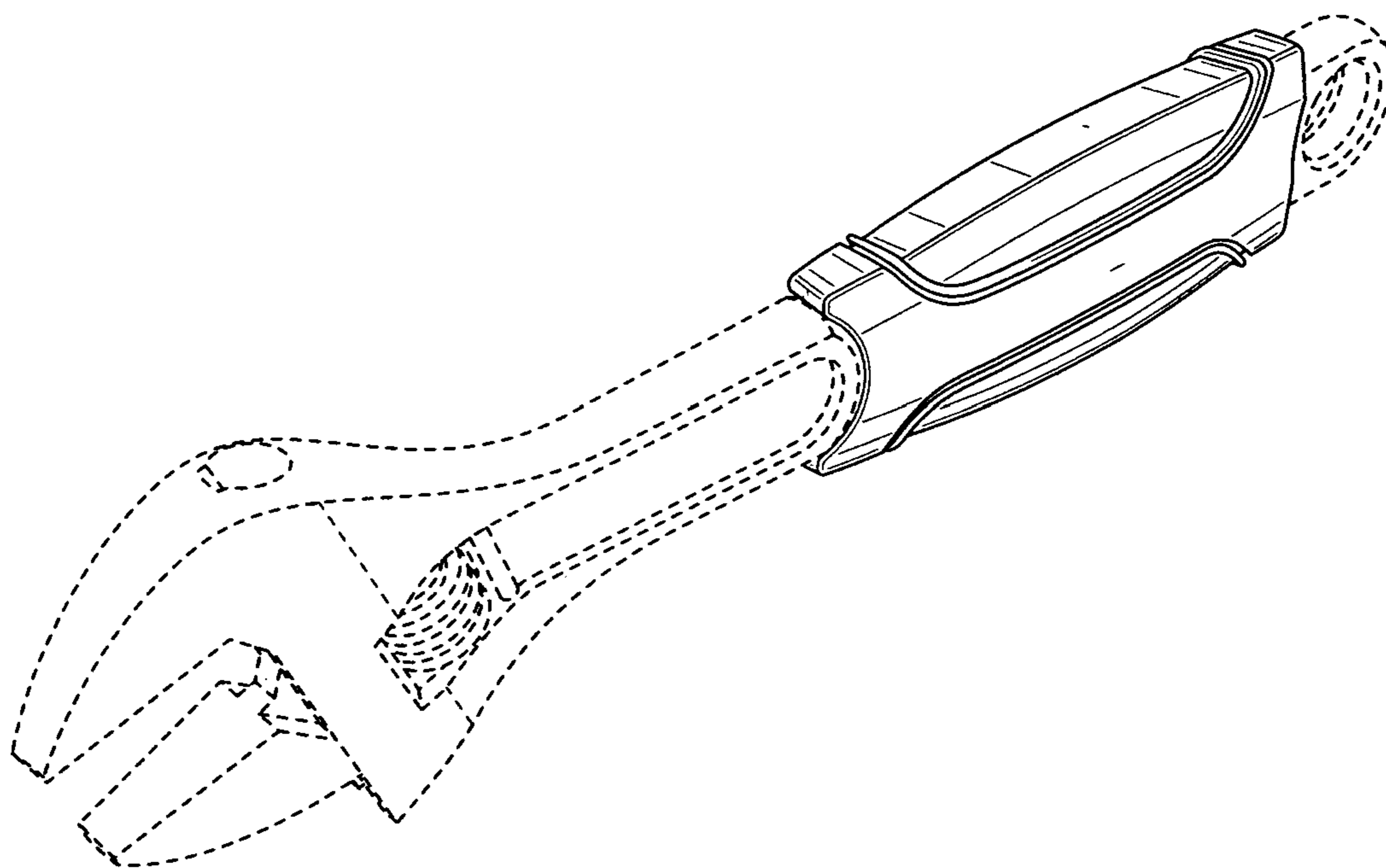


FIG. 1

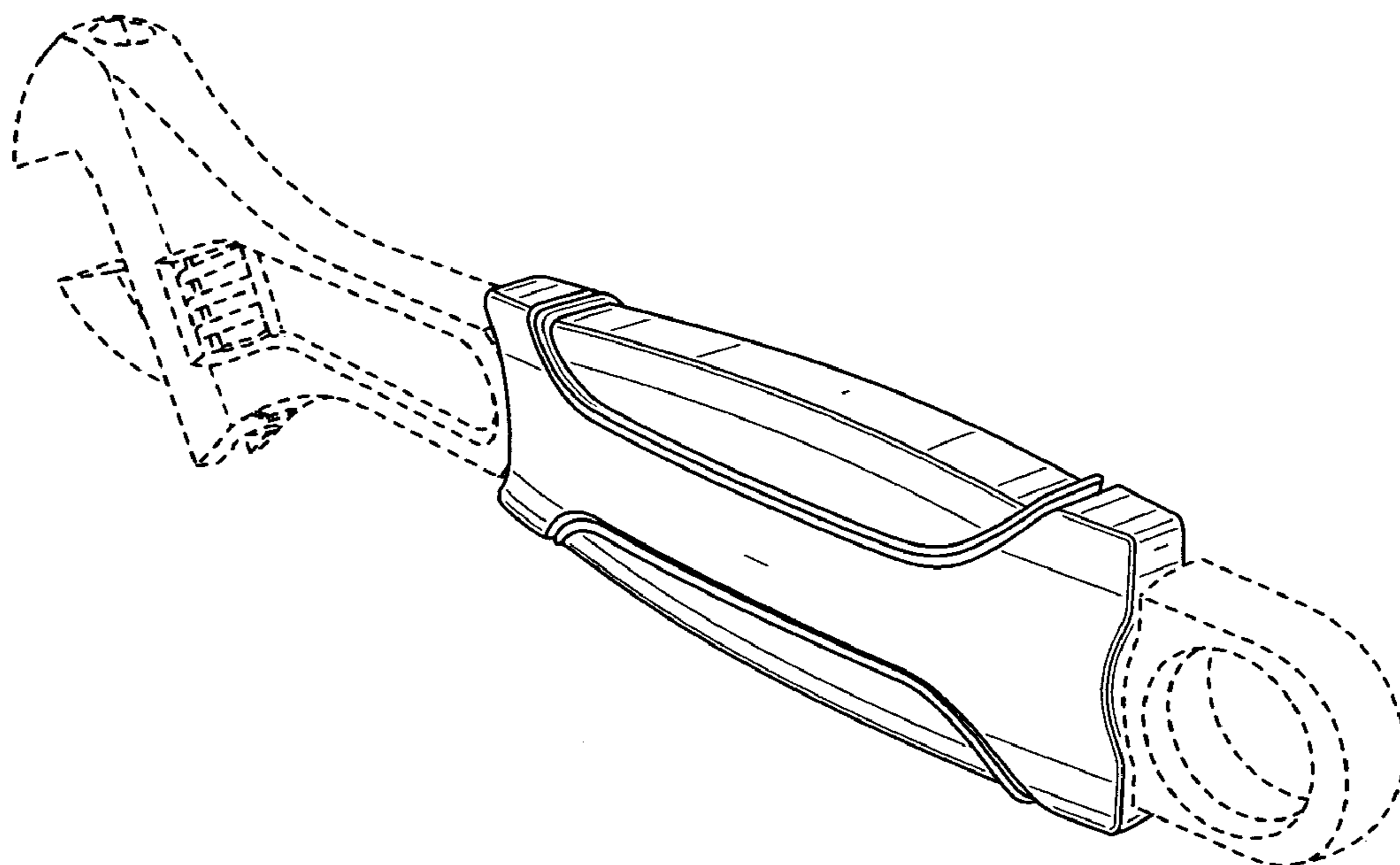


FIG. 2

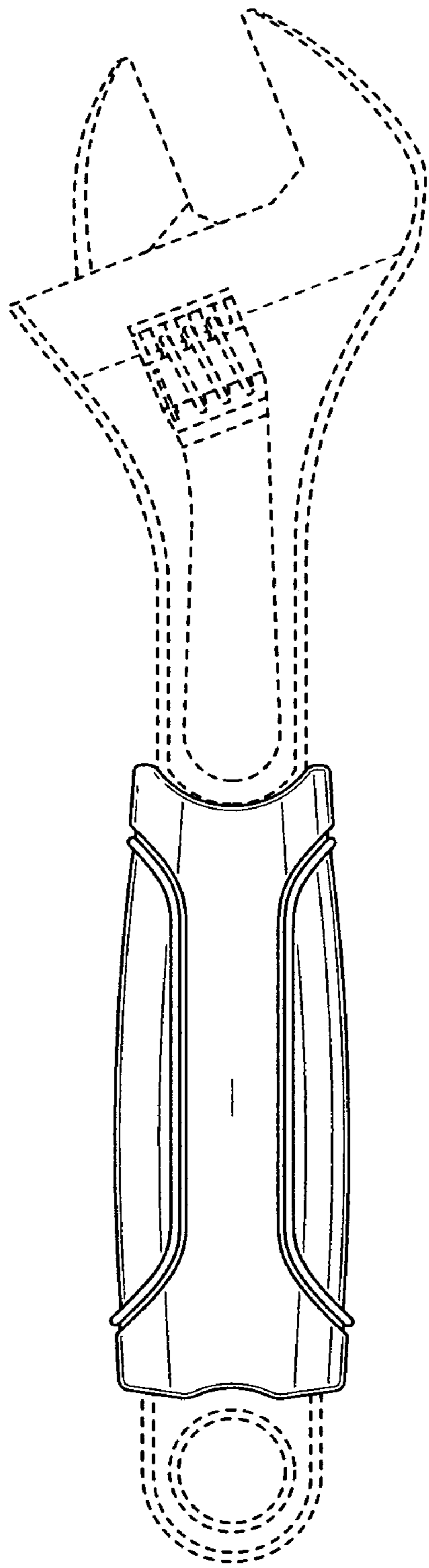


FIG. 3

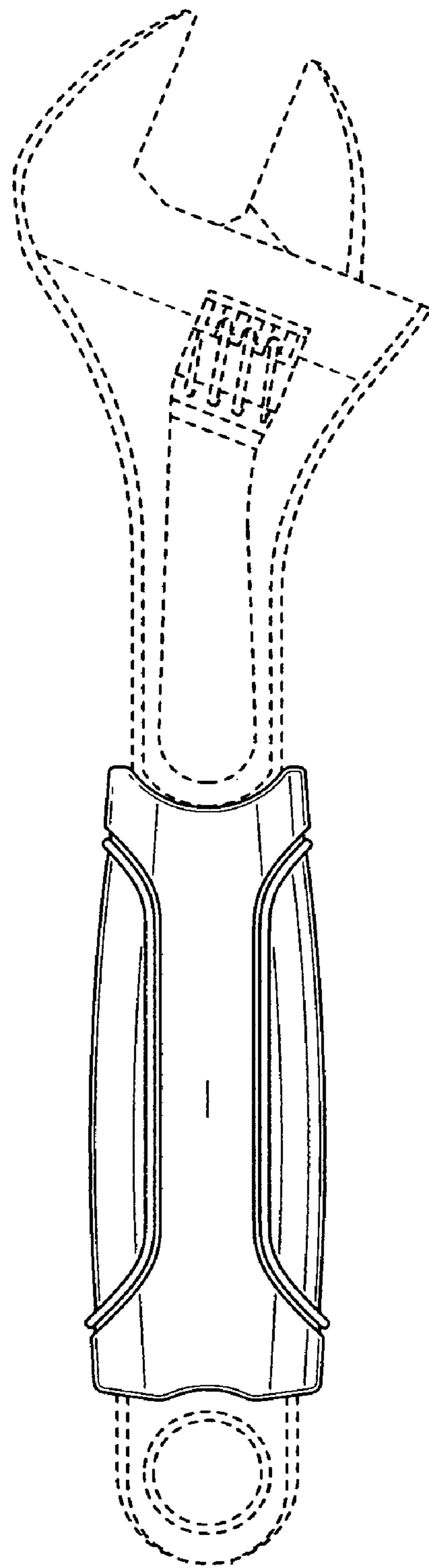


FIG. 4

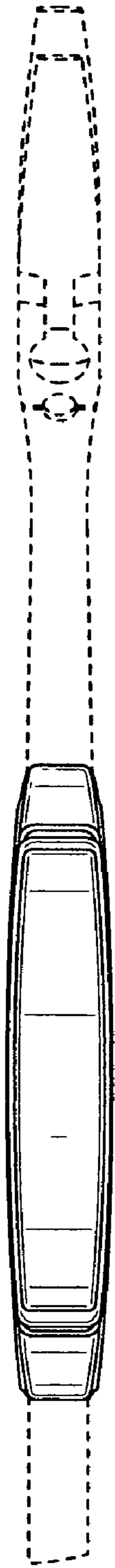


FIG. 5

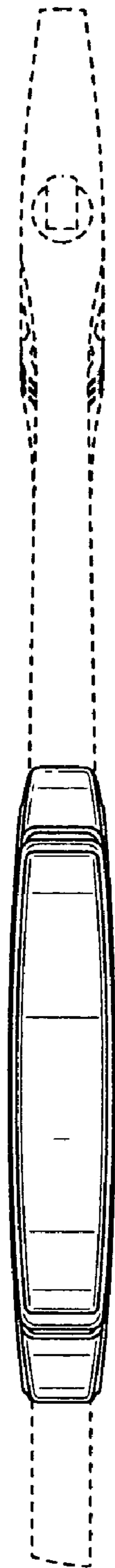


FIG. 6

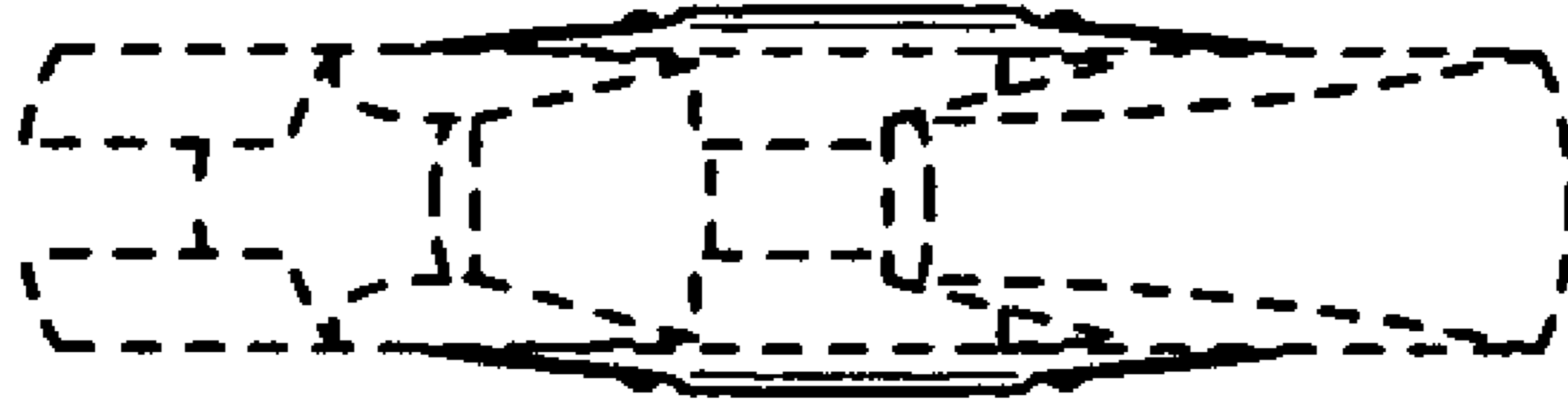


FIG. 7

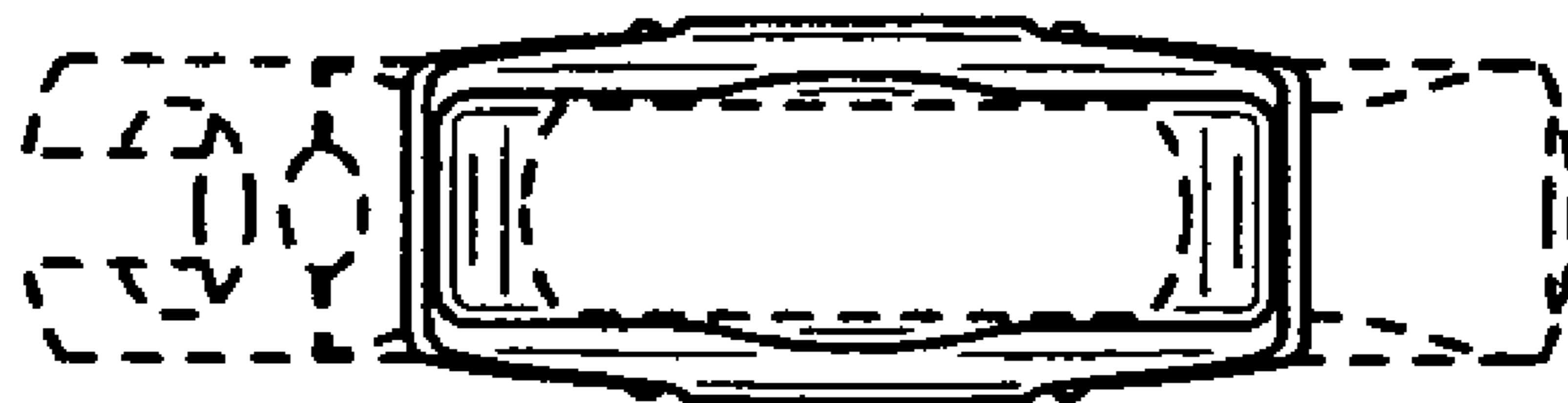


FIG. 8