



US00D617614S

(12) **United States Design Patent**
Vazau

(10) **Patent No.:** **US D617,614 S**
(45) **Date of Patent:** **** Jun. 15, 2010**

(54) **DOMESTIC FOOD SLICER**

(74) *Attorney, Agent, or Firm*—Abelman, Frayne & Schwab

(75) **Inventor:** **Guido Vazau, Zürich (CH)**

(57) **CLAIM**

(73) **Assignee:** **Zena AG, Affoltern am Albis (CH)**

The ornamental design for a domestic food slicer, as shown and described.

(**) **Term:** **14 Years**

(21) **Appl. No.:** **29/315,078**

DESCRIPTION

(22) **Filed:** **May 21, 2009**

FIG. 1 is a front, top right side perspective view showing my new design;

(30) **Foreign Application Priority Data**

FIG. 2 is a right side elevation view thereof;

Nov. 11, 2008 (CH) 135648

FIG. 3 is a top plan view thereof;

(51) **LOC (9) Cl.** **07-04**

FIG. 4 is a front elevation view thereof;

(52) **U.S. Cl.** **D7/673**

FIG. 5 is a front, top right side perspective view of another embodiment of my new design;

(58) **Field of Classification Search** D7/672–676,
D7/678, 693, 381; 99/508–510; 30/378,
30/279.6, 280, 283, 286, 287; 241/92, 95,
241/168, 169, 169.1; 83/669, 856, 857, 932,
83/699.51, 699.61, 870

FIG. 6 is a right side elevation view thereof;

See application file for complete search history.

FIG. 7 is a top plan view thereof;

(56) **References Cited**

FIG. 8 is a front elevation view thereof;

U.S. PATENT DOCUMENTS

FIG. 9 is a front, top right side perspective view of another embodiment of my new design;

3,005,260 A * 10/1961 Muse 30/302
D405,659 S * 2/1999 Zirbes D7/672

FIG. 10 is a right side elevation view thereof;

* cited by examiner

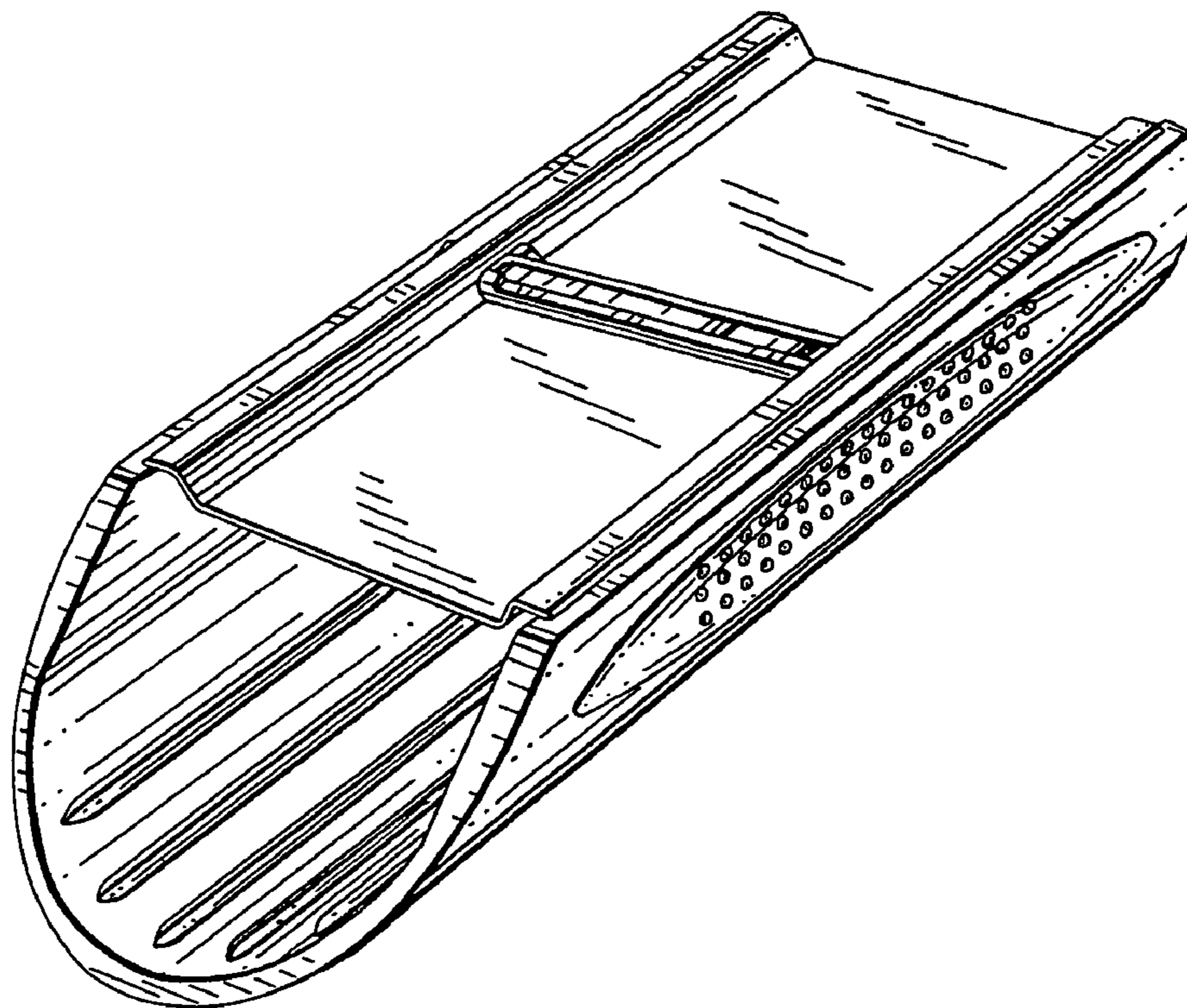
FIG. 11 is a top plan view thereof; and,

FIG. 12 is a front elevation view thereof.

The elements shown in broken lines form no part of the claimed invention.

Primary Examiner—Terry A Wallace

1 Claim, 3 Drawing Sheets



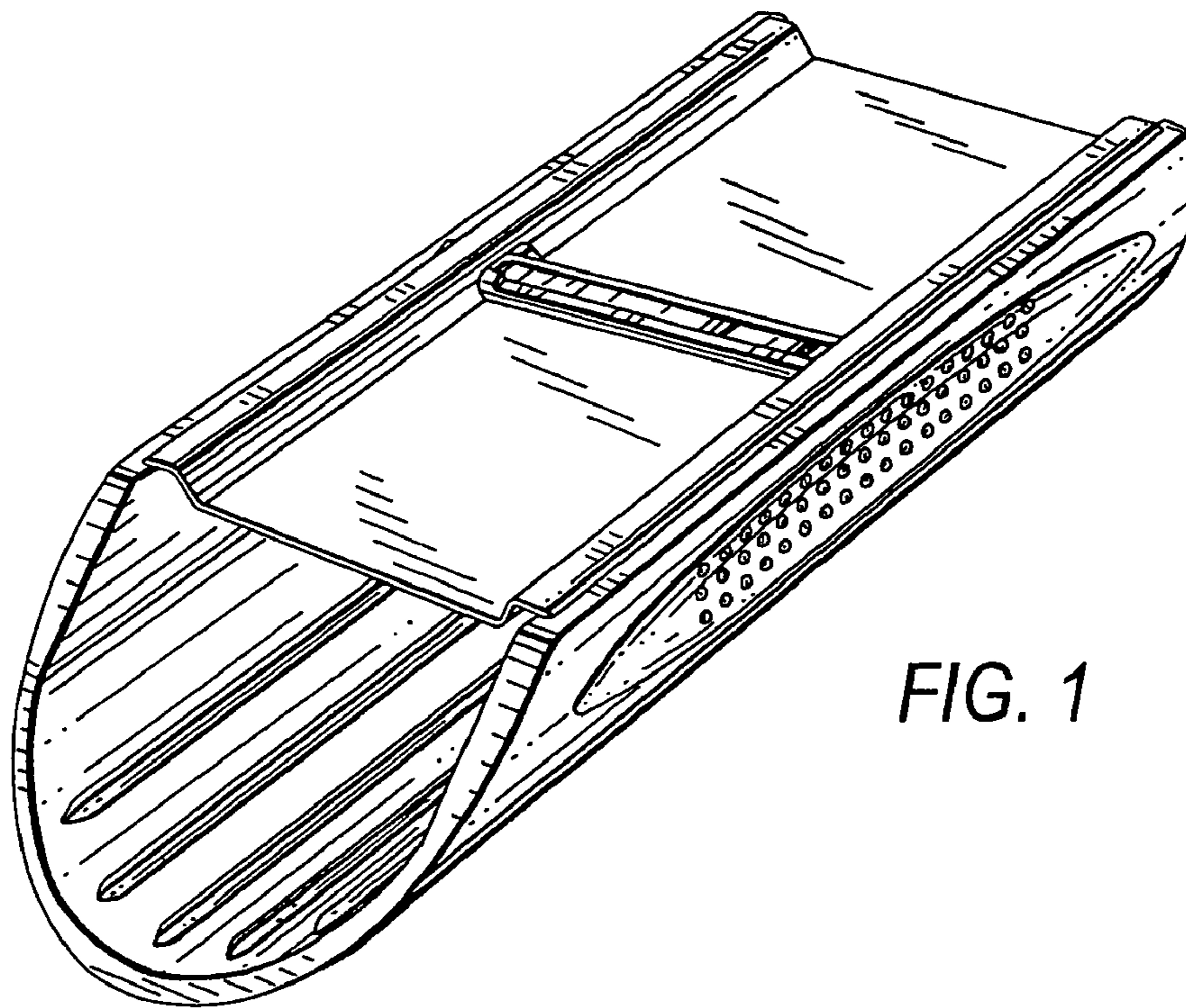


FIG. 1

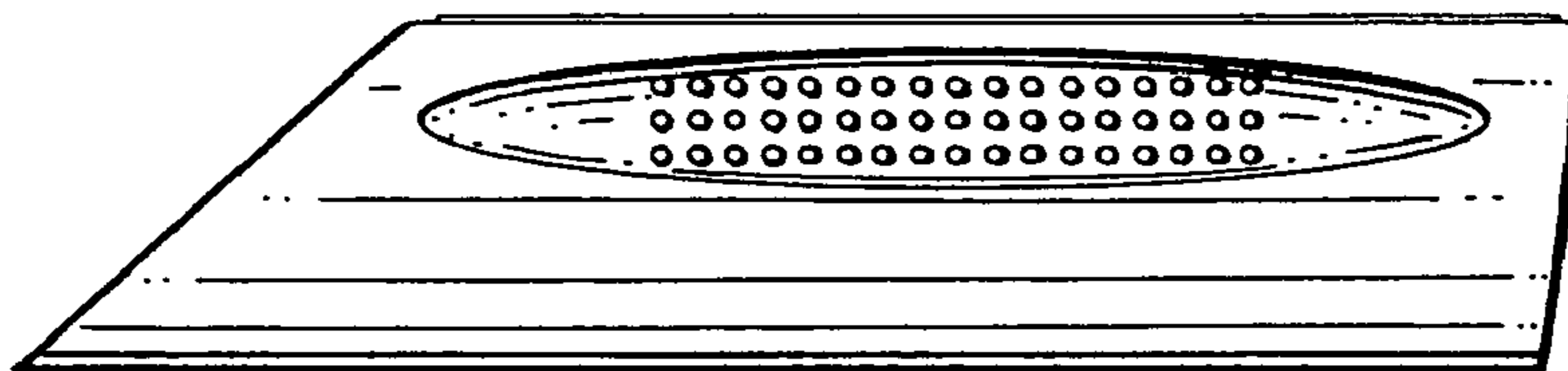


FIG. 2

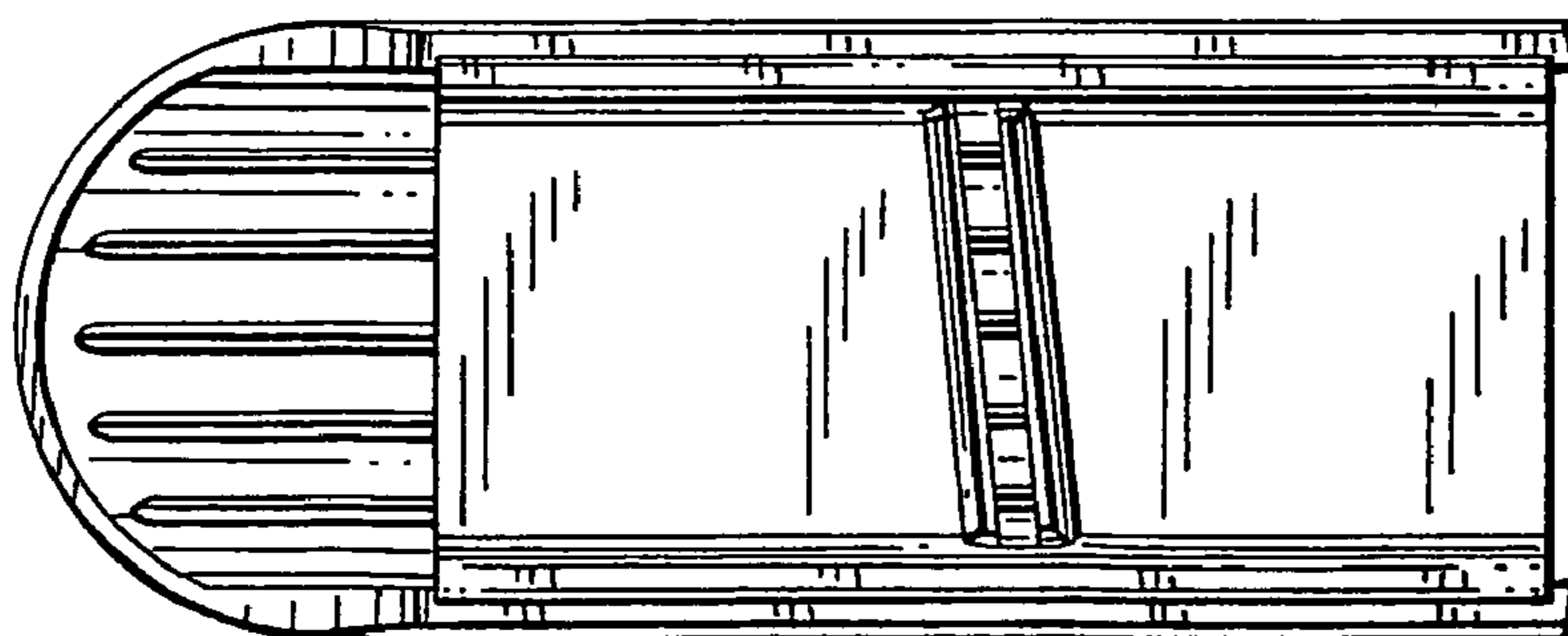


FIG. 3

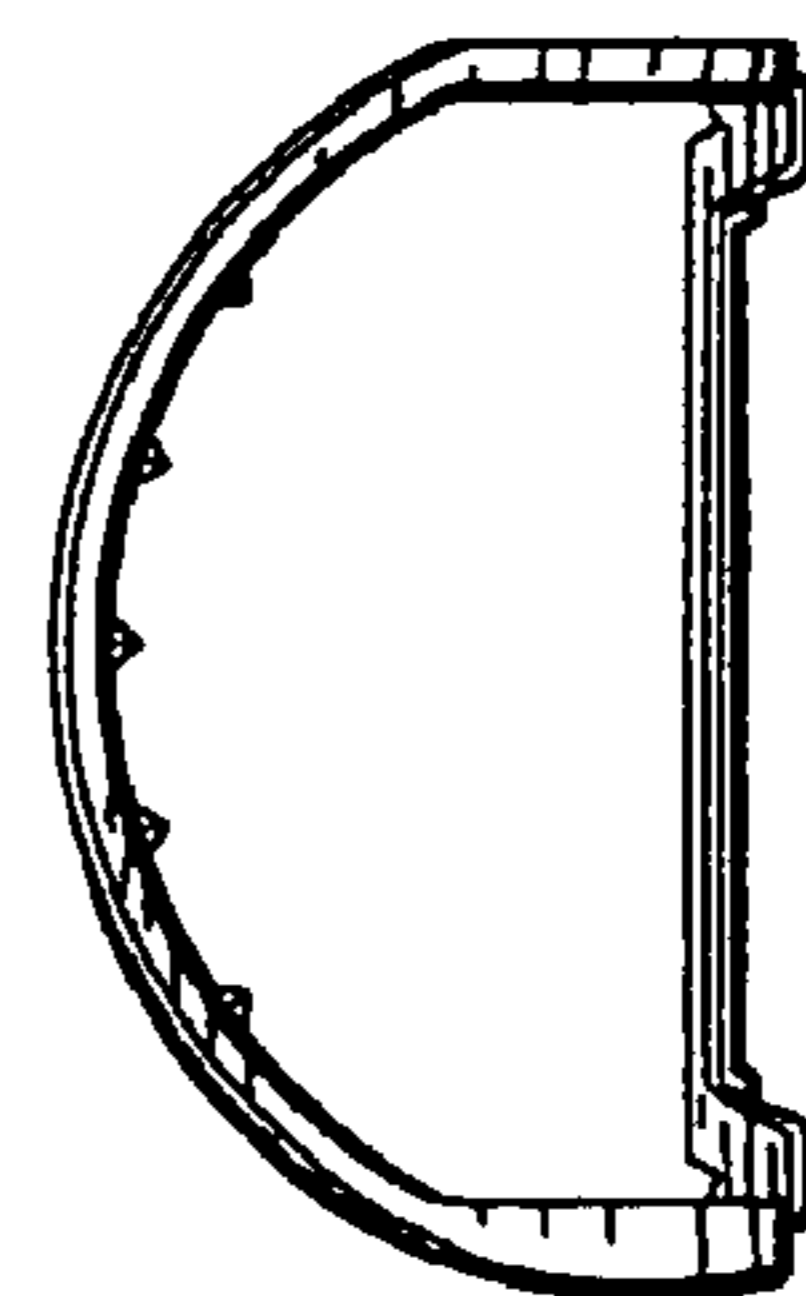


FIG. 4

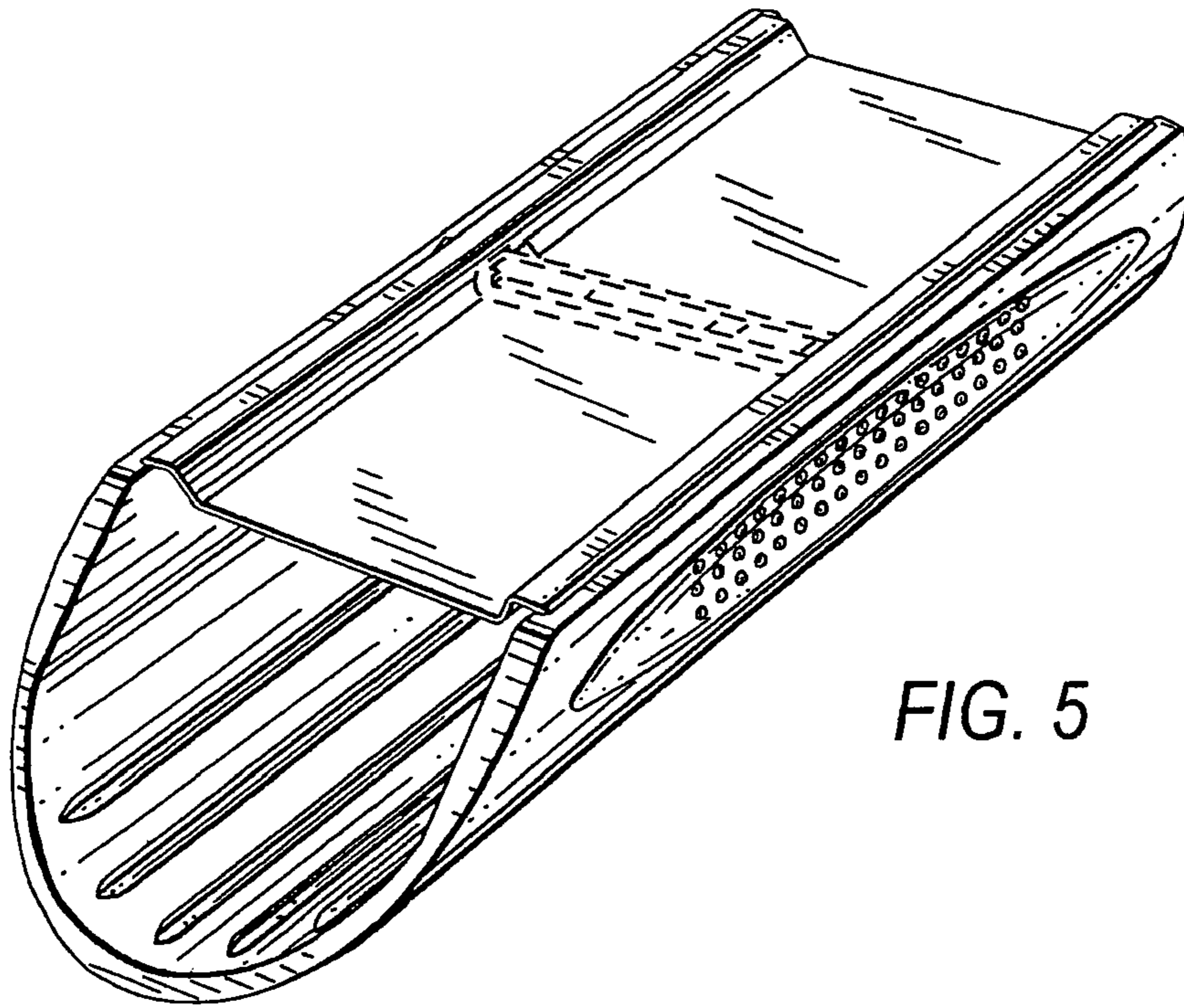


FIG. 5

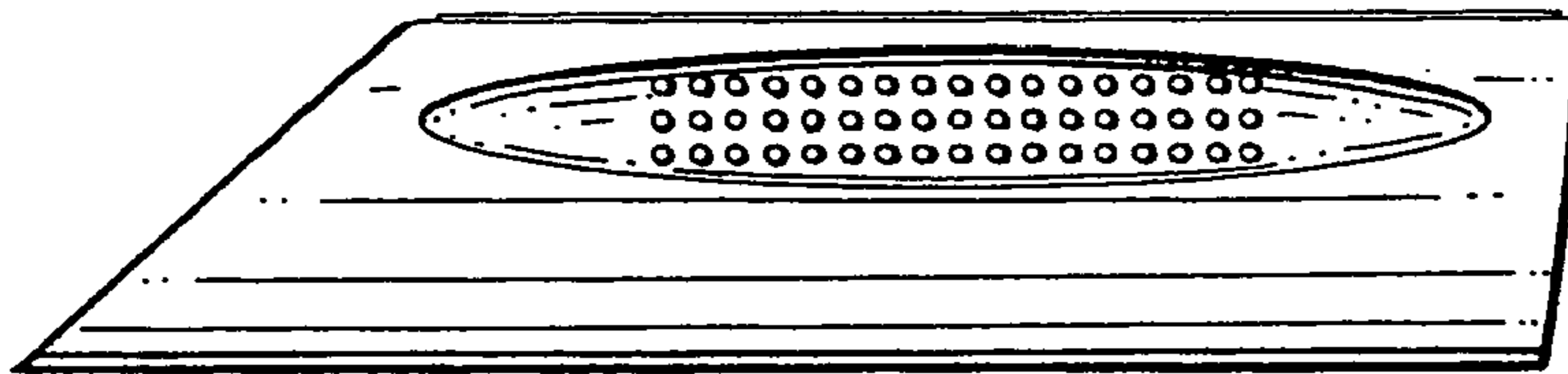


FIG. 6

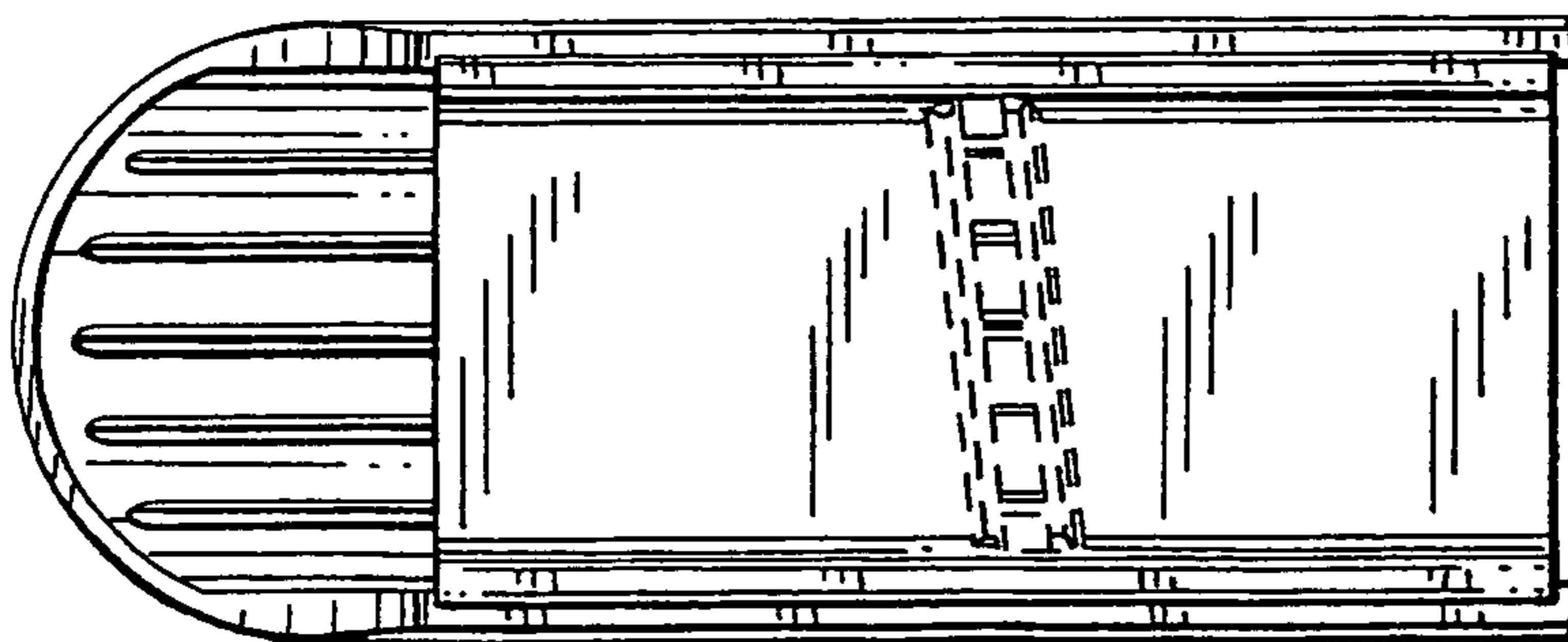


FIG. 7

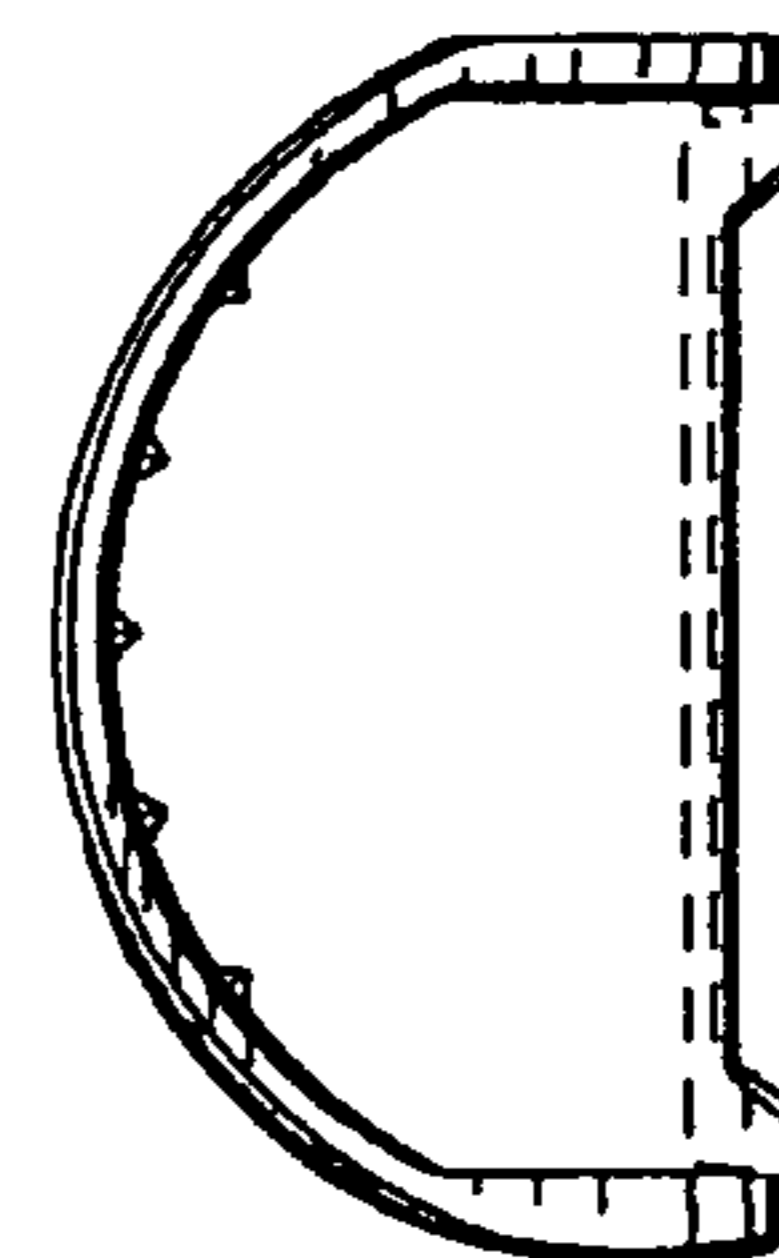


FIG. 8

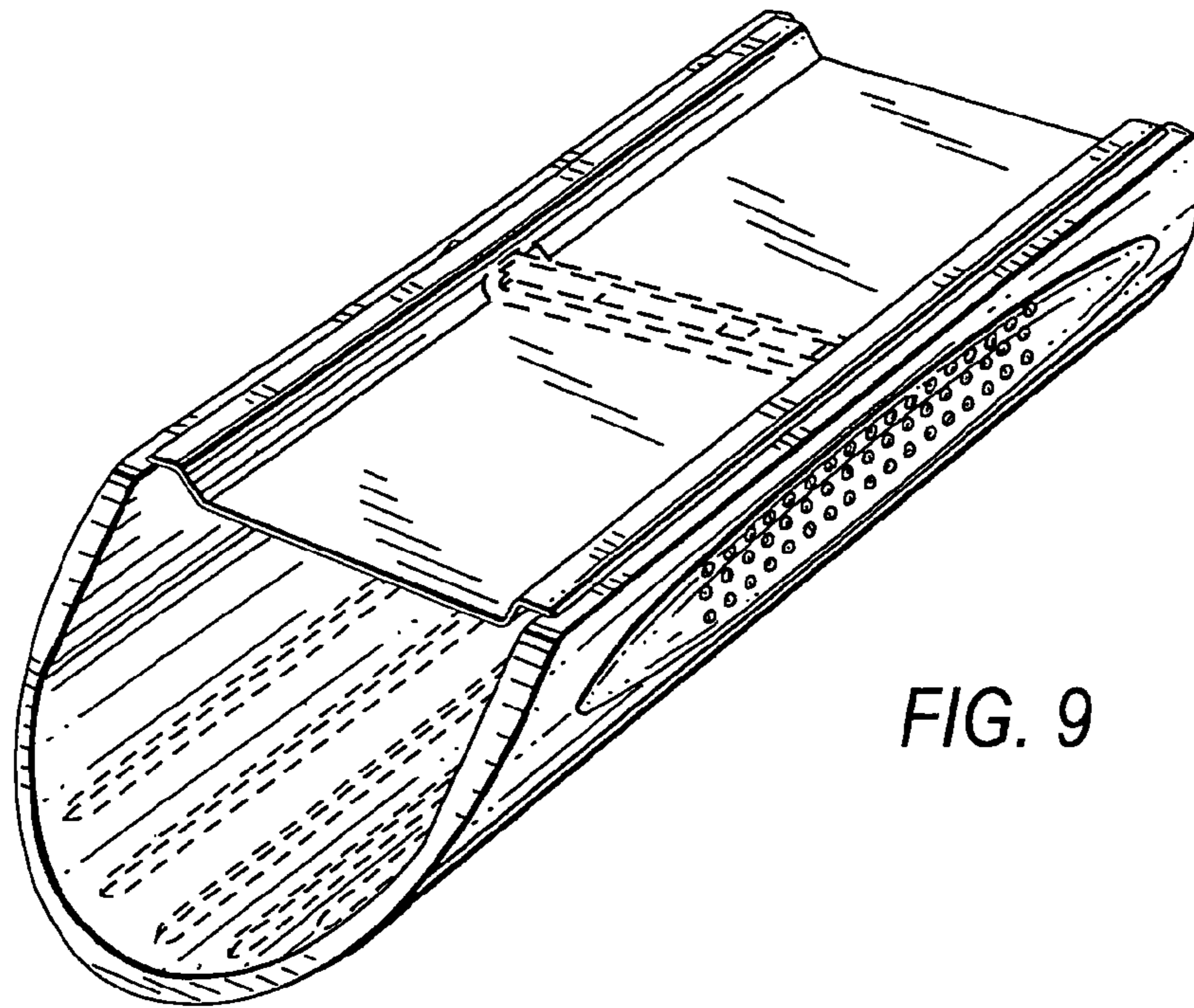


FIG. 9

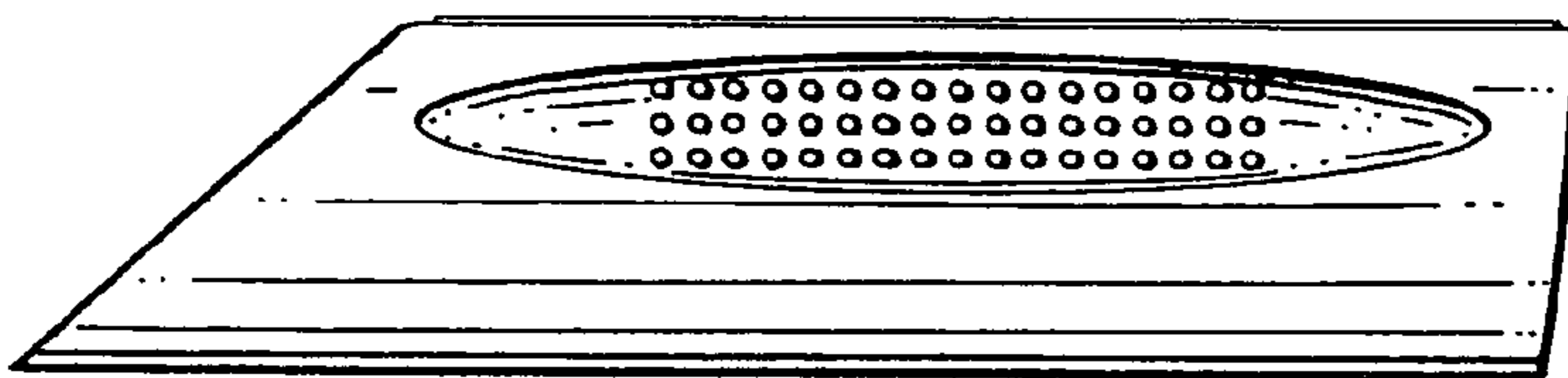


FIG. 10

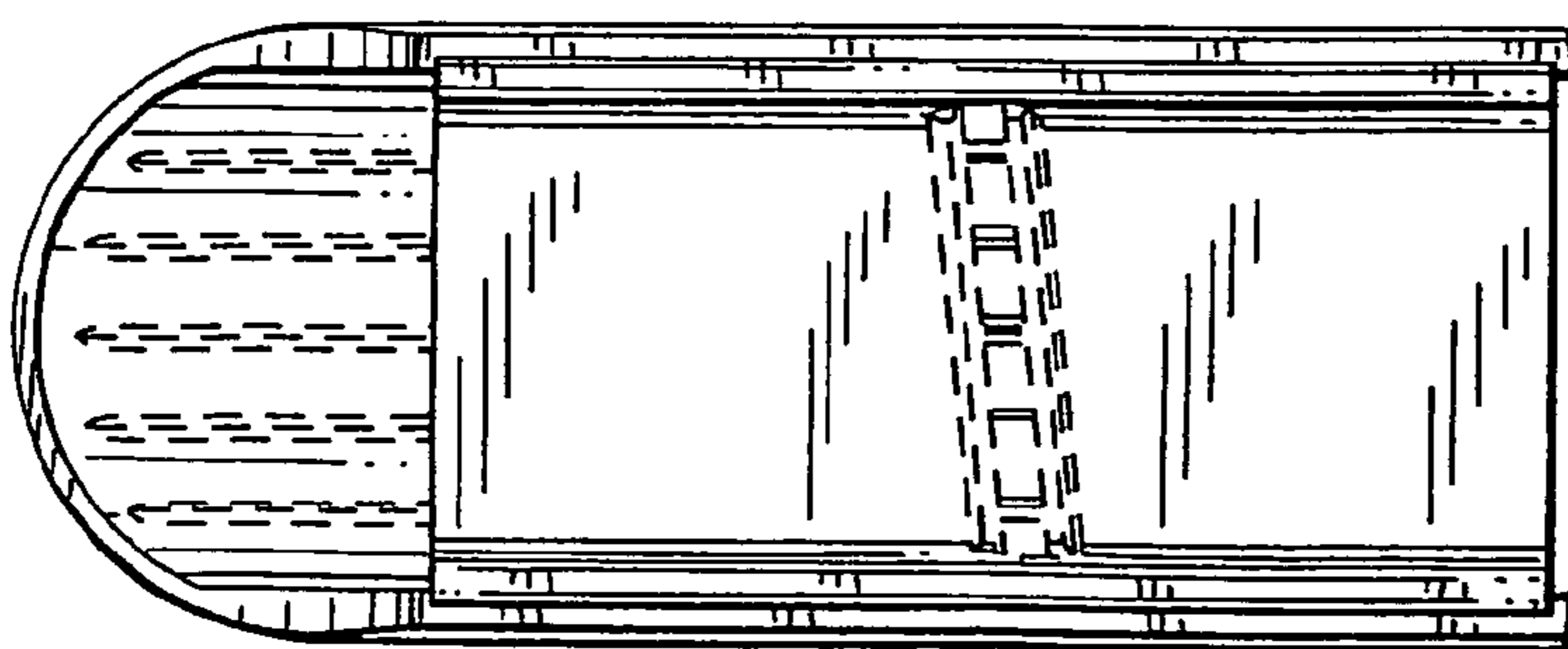


FIG. 11

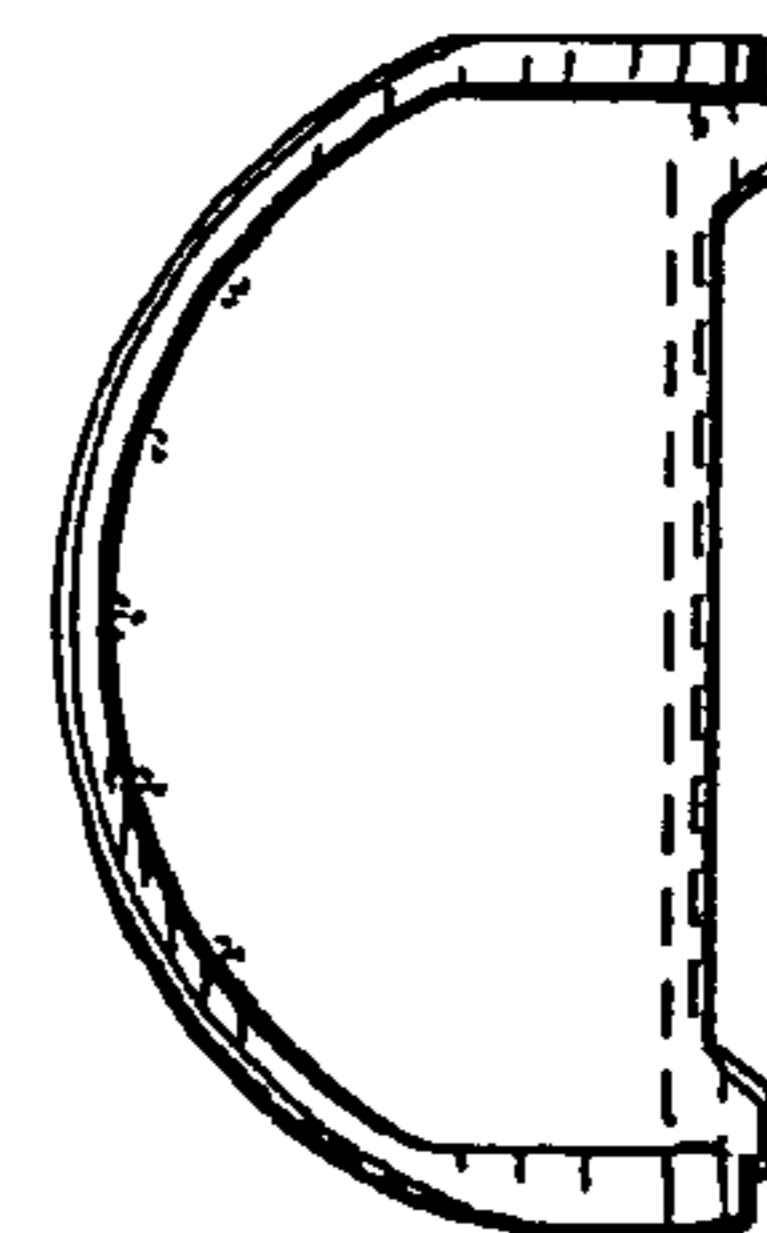


FIG. 12