



US00D617606S

(12) **United States Design Patent**
Munari

(10) **Patent No.:** **US D617,606 S**
(45) **Date of Patent:** **** Jun. 15, 2010**

(54) **COOKWARE HANDLE**
(75) Inventor: **Marco Munari**, Cardano al Campo (IT)
(73) Assignee: **La Termoplastico F.B.M. - S.R.L.**,
Serpio (IT)

D578,824 S * 10/2008 Munari et al. D7/393
D578,825 S * 10/2008 Bogani D7/393
D584,104 S * 1/2009 Munari D7/393
D589,745 S * 4/2009 Munari et al. D7/395
D598,705 S * 8/2009 Tetreault D7/395

(**) Term: **14 Years**

* cited by examiner

(21) Appl. No.: **29/331,315**

Primary Examiner—Philip S Hyder
Assistant Examiner—Cynthia M Chin
(74) *Attorney, Agent, or Firm*—Ladas and Parry LLP

(22) Filed: **Jan. 23, 2009**

(57) **CLAIM**

(30) **Foreign Application Priority Data**
Jul. 25, 2008 (EM) 000976717

The ornamental design for a cookware handle, as shown and described.

(51) **LOC (9) Cl.** **07-02**
(52) **U.S. Cl.** **D7/395**
(58) **Field of Classification Search** D7/354–361,
D7/393–395; D8/107, 300, 303, 307; D4/138,
D4/129; 16/421, 430, 431, 110.1, 407; 220/573.1–573.5,
220/752, 753, 755, 756, 759, 771, 912
See application file for complete search history.

DESCRIPTION

(56) **References Cited**

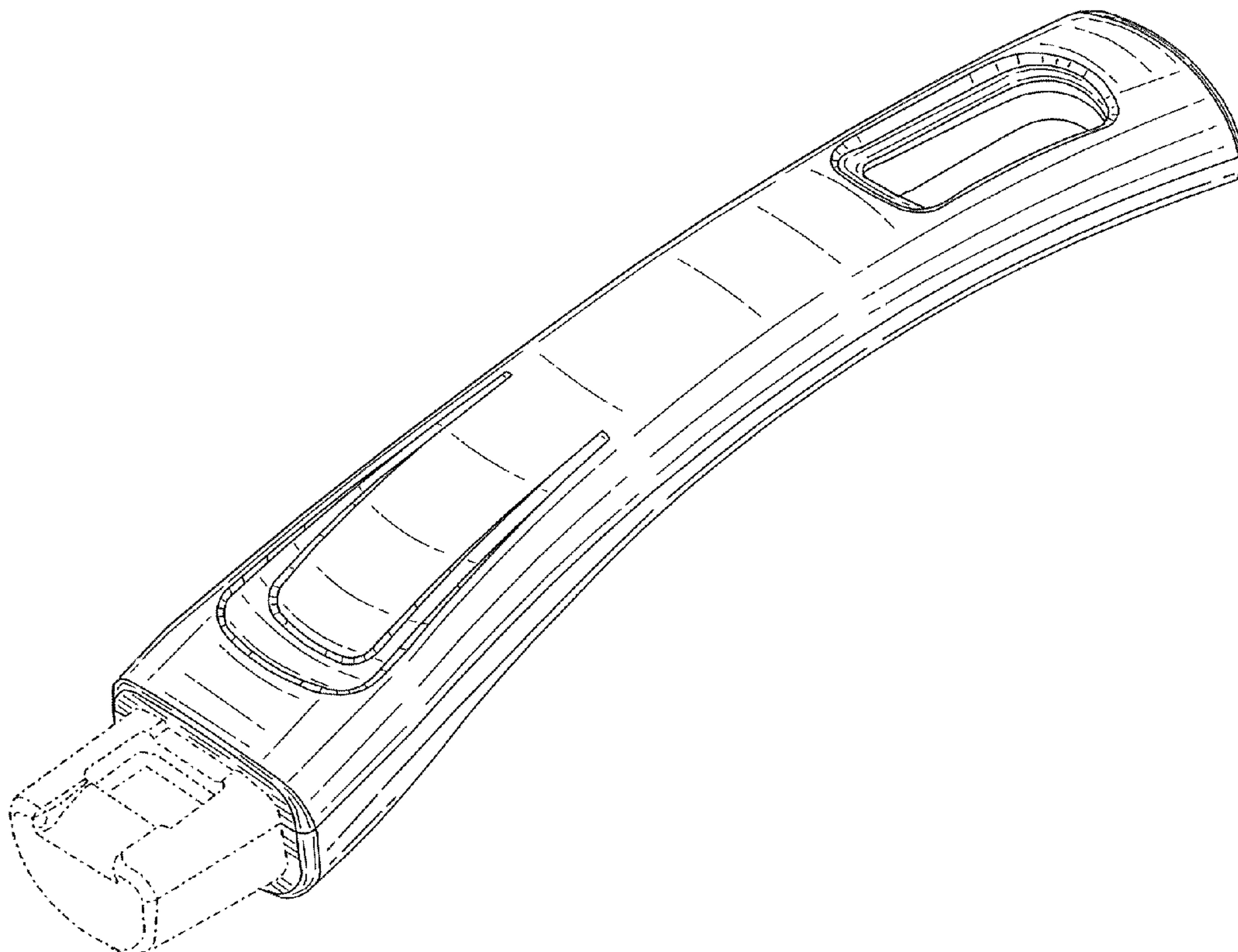
FIG. 1 is a bottom view of my new design relating to cook-
ware handle
FIG. 2 is a side elevation view (the opposite side view being
symmetrical)thereof;
FIG. 3 is a top plan view thereof;
FIG. 4 is a front elevation view thereof;
FIG. 5 is a rear elevation view thereof; and,
FIG. 6 is a top/side elevation view thereof.

U.S. PATENT DOCUMENTS

D524,596 S * 7/2006 Magnouloux D7/393
D527,580 S * 9/2006 Munari D7/395
D555,422 S * 11/2007 Munari D7/393
D562,063 S * 2/2008 Munari D7/395
D575,984 S * 9/2008 Coppi D7/393

The broken lines represent portions of the design that form no
part of the claim.

1 Claim, 3 Drawing Sheets



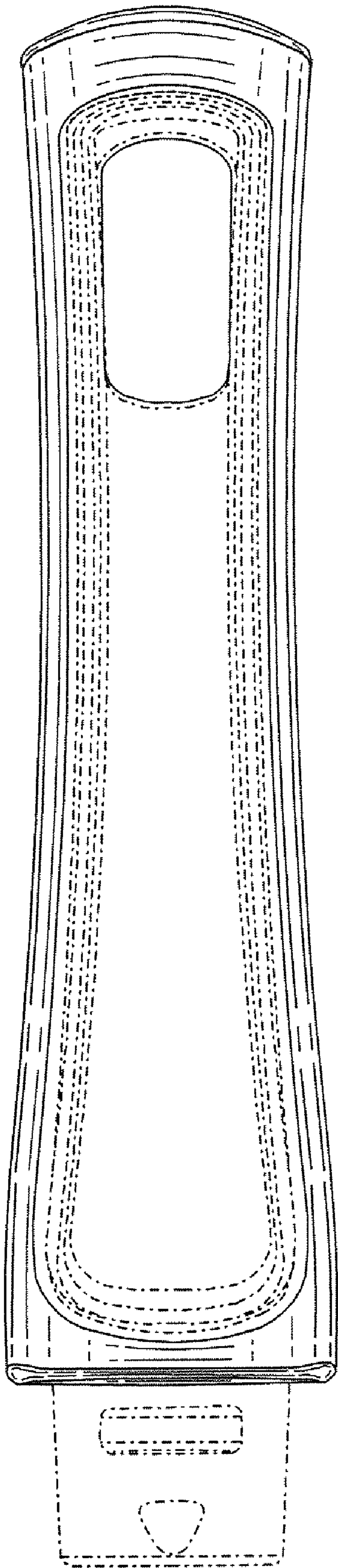


FIG. 1

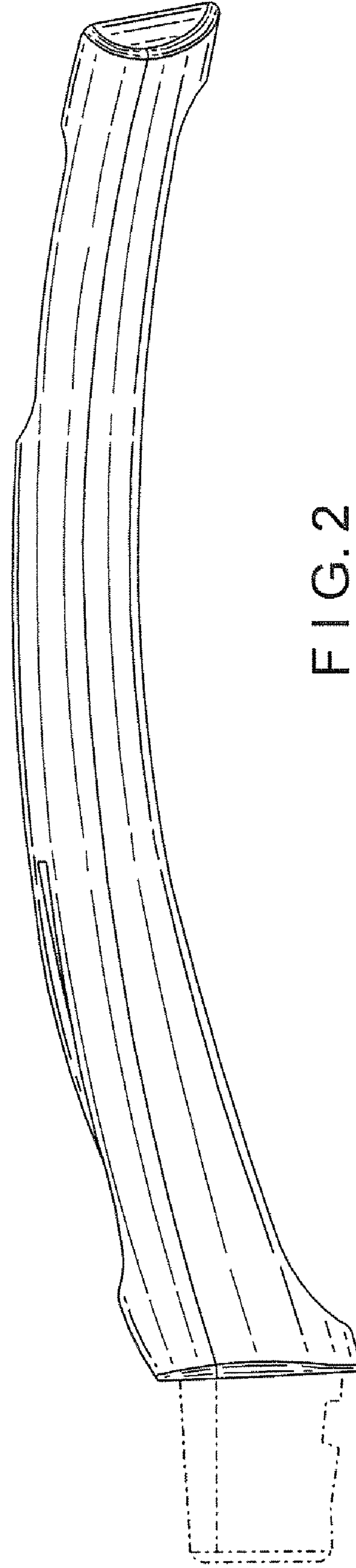


FIG. 2

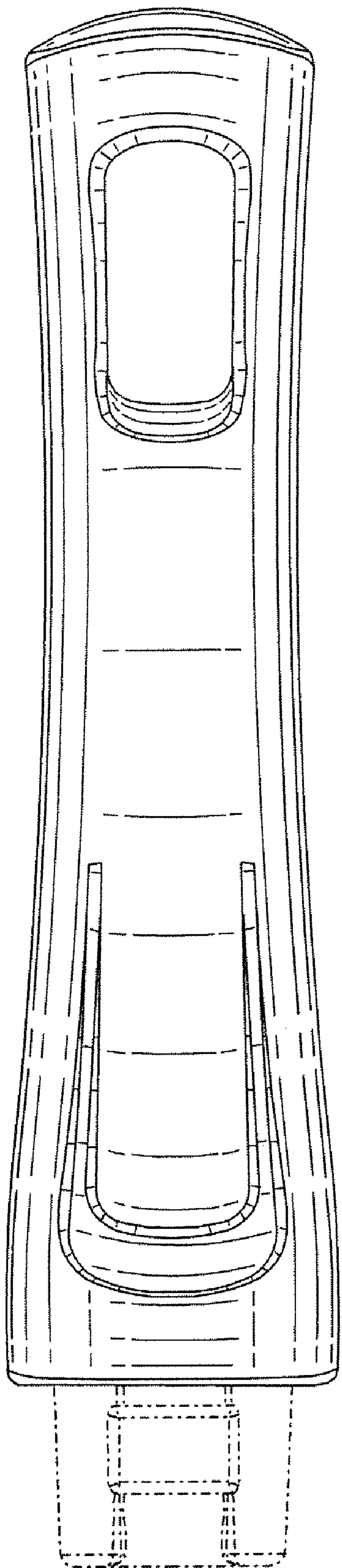


FIG. 3

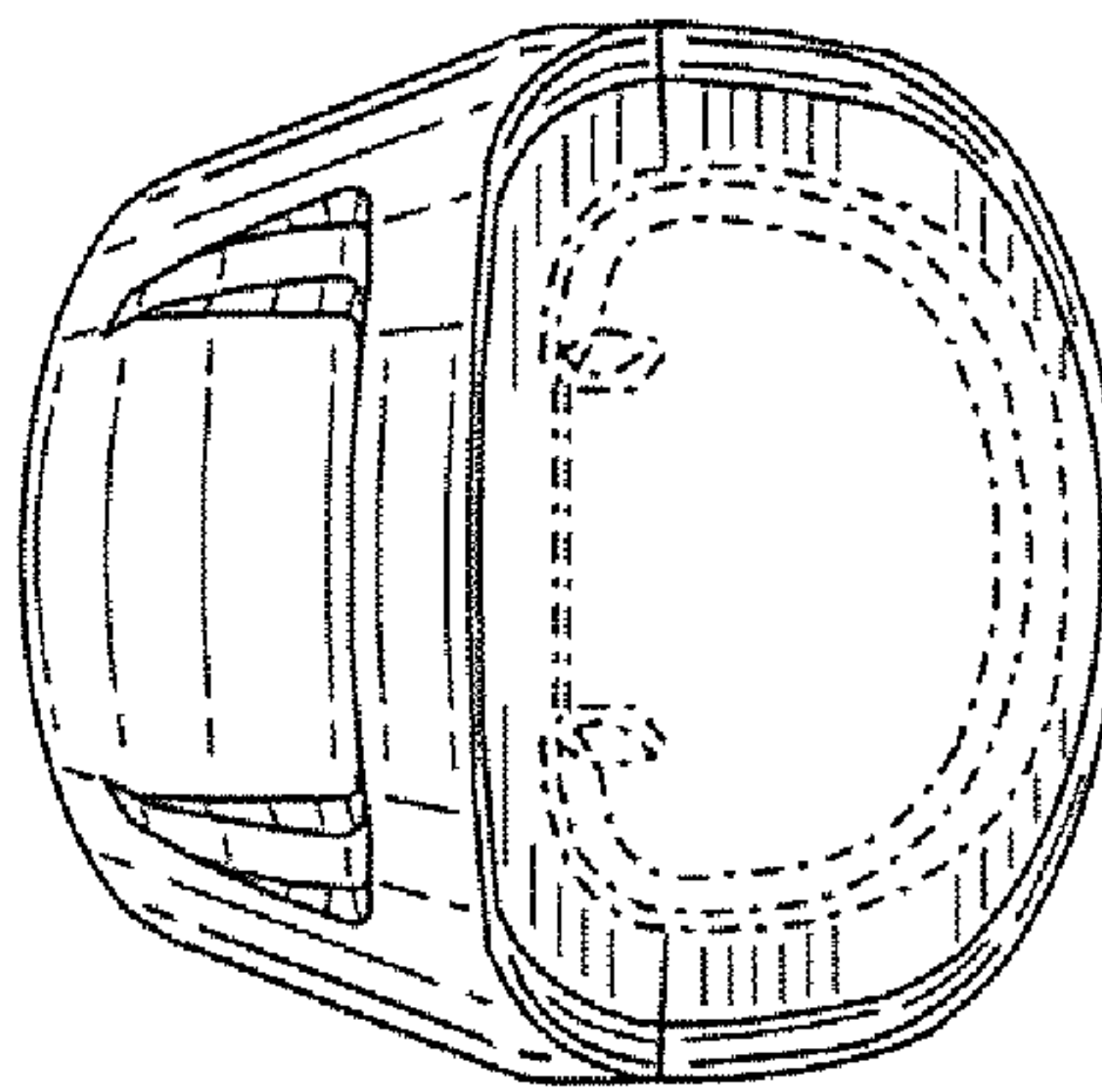


FIG. 5

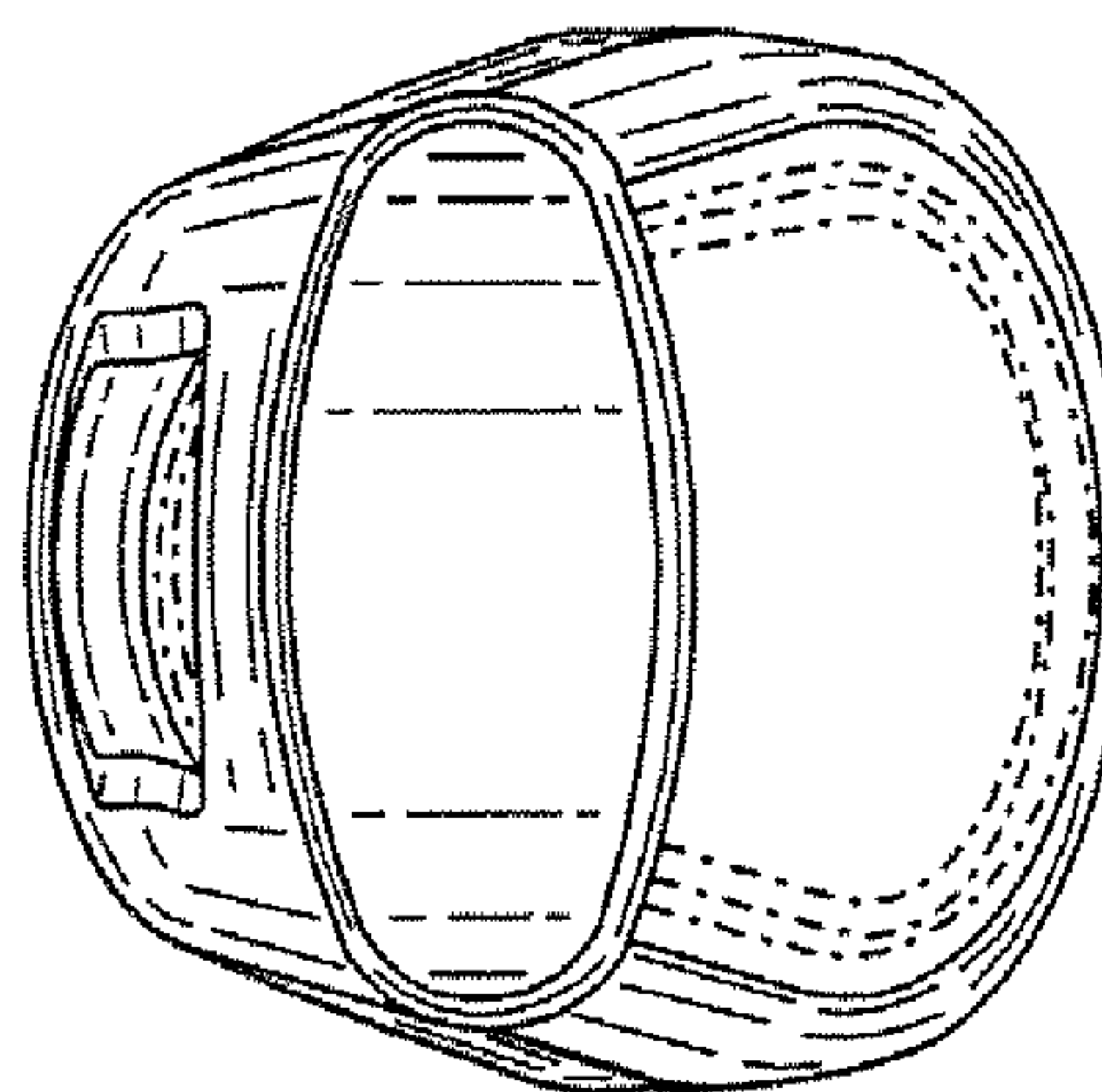


FIG. 4

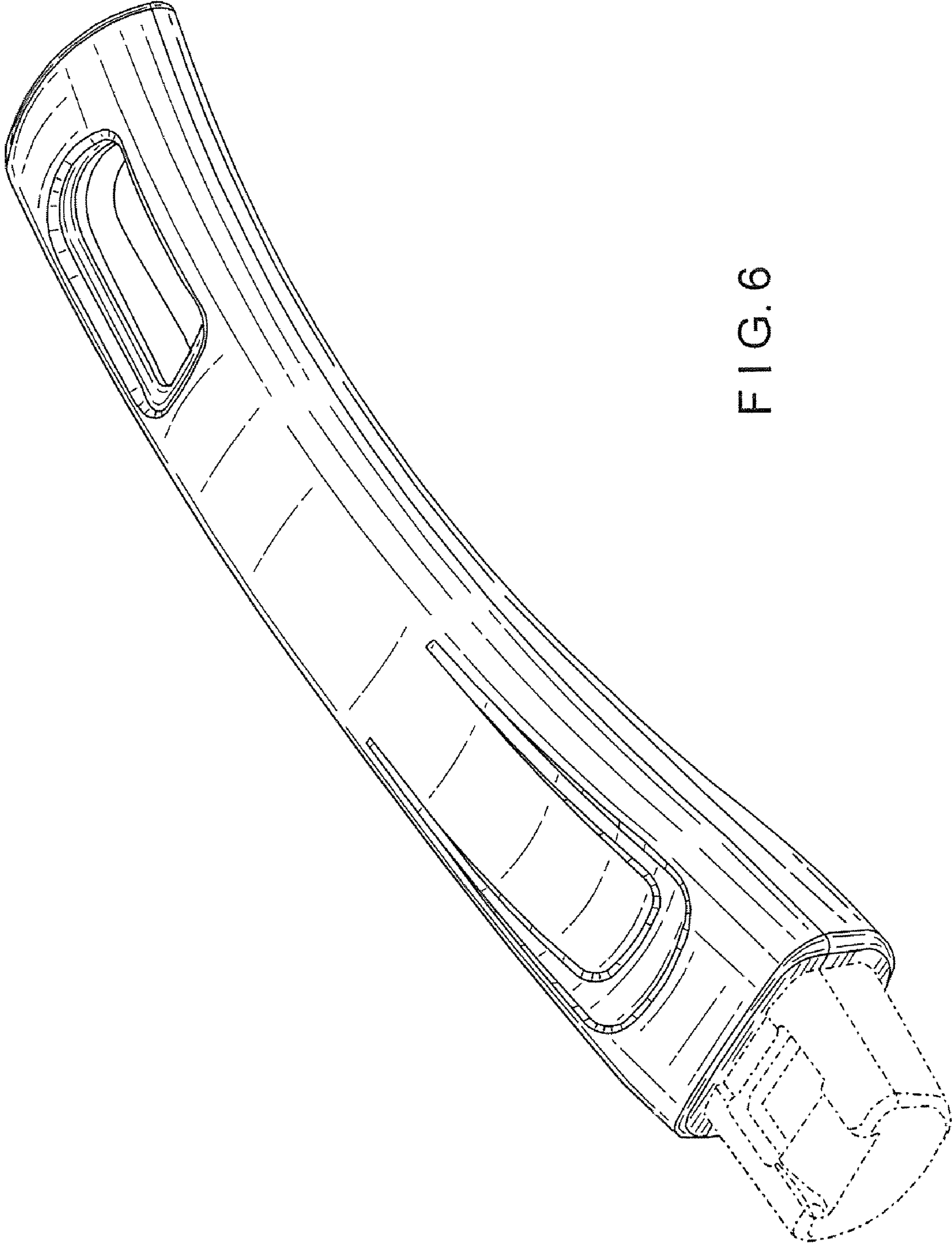


FIG. 6

UNITED STATES PATENT AND TRADEMARK OFFICE
CERTIFICATE OF CORRECTION

PATENT NO. : D617,606 S
APPLICATION NO. : 29/331315
DATED : June 15, 2010
INVENTOR(S) : Marco Munari

Page 1 of 1

It is certified that error appears in the above-identified patent and that said Letters Patent is hereby corrected as shown below:

Title page, item (73) assignee: "Serpio" should read --Arsago Seprio--.

Signed and Sealed this
Twentieth Day of September, 2011

A handwritten signature in black ink that reads "David J. Kappos". The signature is written in a cursive style with a large initial "D" and "K".

David J. Kappos
Director of the United States Patent and Trademark Office