



US00D617605S

(12) **United States Design Patent**
Munari

(10) **Patent No.:** **US D617,605 S**
(45) **Date of Patent:** **** Jun. 15, 2010**

(54) **COOKWARE HANDLE**
(75) Inventor: **Marco Munari**, Cardano Al Campo (IT)
(73) Assignee: **La Termoplastico F.B.M. S.r.l.**, Arsago
Seprio, (Varese) (IT)
(**) Term: **14 Years**
(21) Appl. No.: **29/314,764**
(22) Filed: **Apr. 27, 2009**

(30) **Foreign Application Priority Data**
Nov. 4, 2008 (EM) 001033195

(51) **LOC (9) Cl.** **07-02**
(52) **U.S. Cl.** **D7/393**
(58) **Field of Classification Search** D7/354-361,
D7/391, 393-395; D8/107, 300, 301, 307,
D8/310, 315, 316, 319, 320; 16/430, 431,
16/110.1, 407, 441, 443; 220/573.1-573.5,
220/752, 753, 755, 756, 912
See application file for complete search history.

(56) **References Cited**
U.S. PATENT DOCUMENTS
D391,443 S * 3/1998 Candianides D7/393
D400,393 S * 11/1998 Ranzoni D7/360
D464,527 S * 10/2002 Klock et al. D7/393
D480,265 S * 10/2003 Gronda D7/394

D511,931 S * 11/2005 Sano D7/393
D542,622 S * 5/2007 Ricereto D8/307
D554,940 S * 11/2007 Munari D7/394
D577,539 S * 9/2008 Cuillery D7/393
D588,896 S * 3/2009 Ricereto D8/307

* cited by examiner

Primary Examiner—Philip S Hyder
Assistant Examiner—Cynthia M Chin
(74) *Attorney, Agent, or Firm*—Hedman & Costigan, P.C.;
James V. Costigan

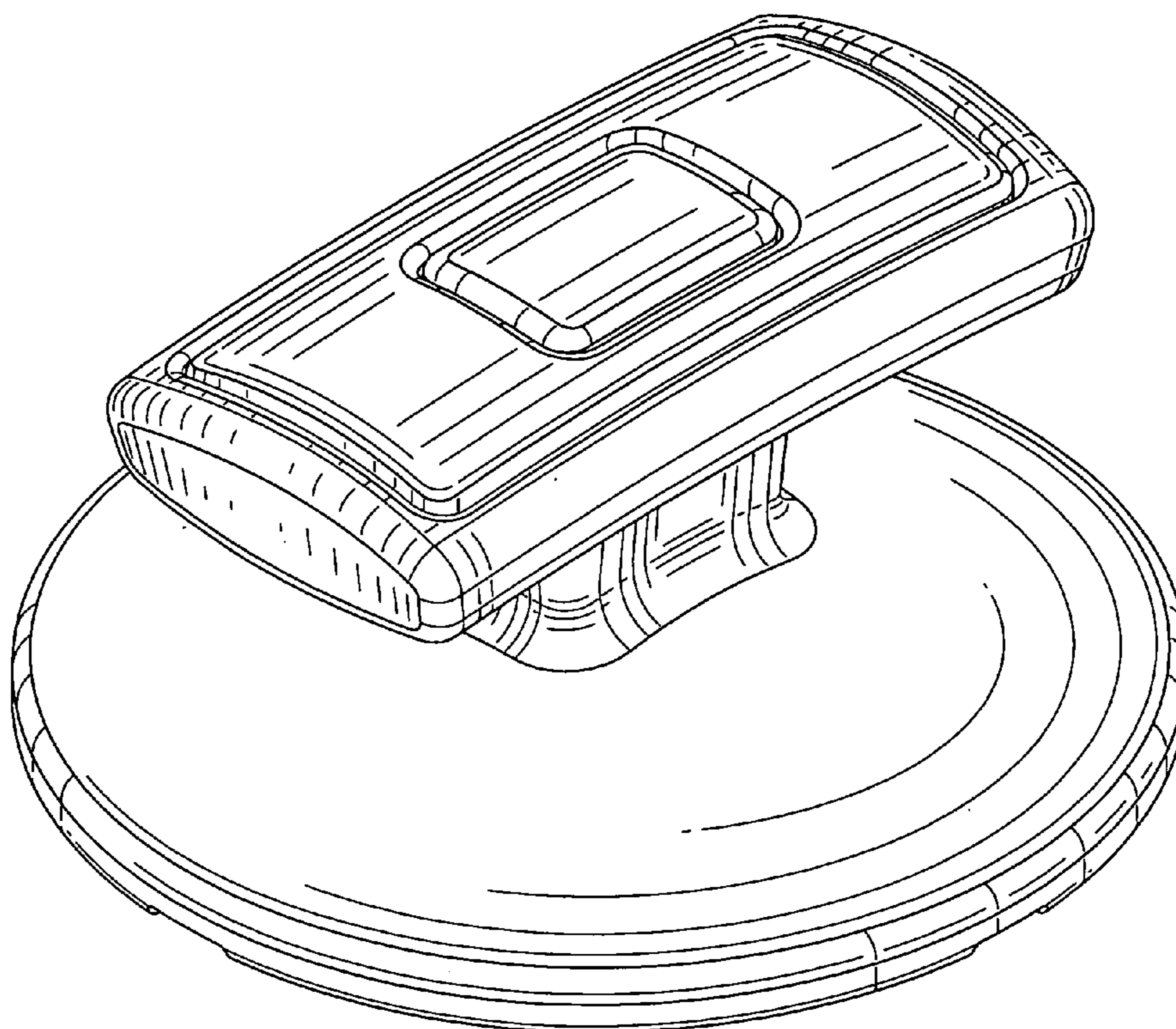
(57) **CLAIM**

I claim, the ornamental design for a cookware handle, as shown and described.

DESCRIPTION

FIG. 1 is a perspective view of a cookware handle, showing my new design;
FIG. 2 is a left side view thereof which is the same as the right side view;
FIG. 3 is a front view thereof which is the same as the back view;
FIG. 4 is a top plan view thereof; and,
FIG. 5 is a bottom view thereof.
The subject matter in broken lines forms no part of the claimed design.

1 Claim, 3 Drawing Sheets



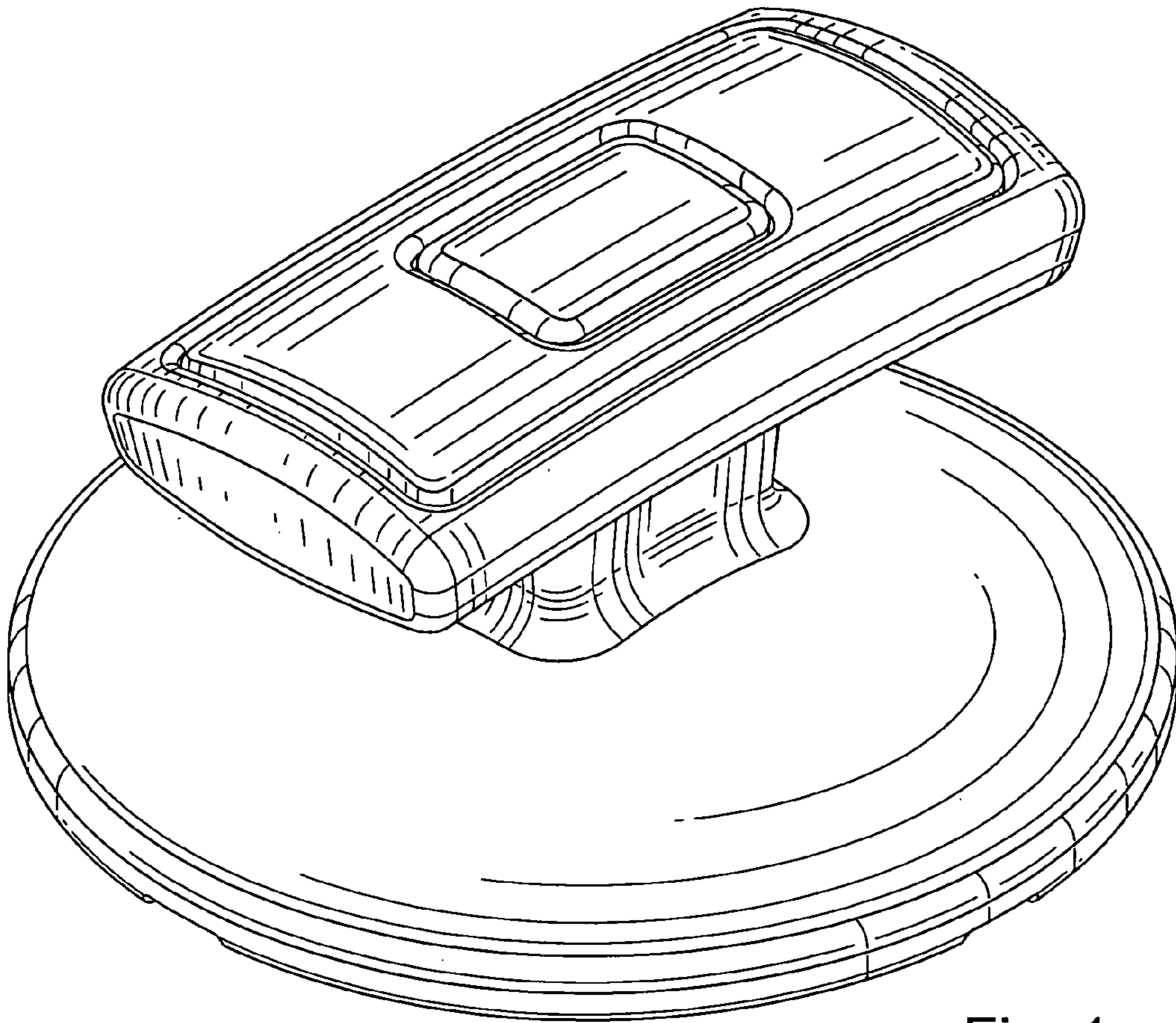


Fig. 1

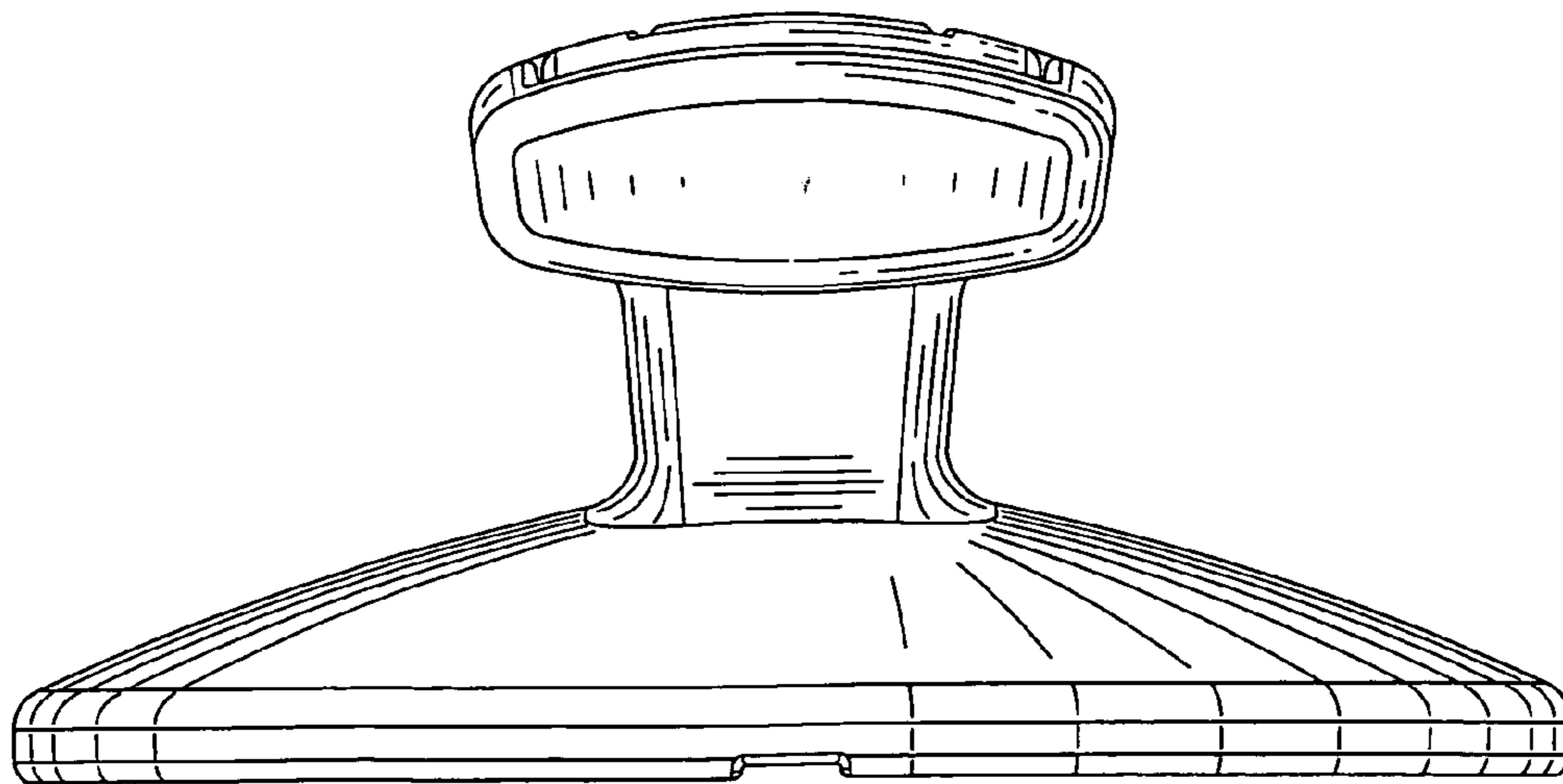


Fig. 2

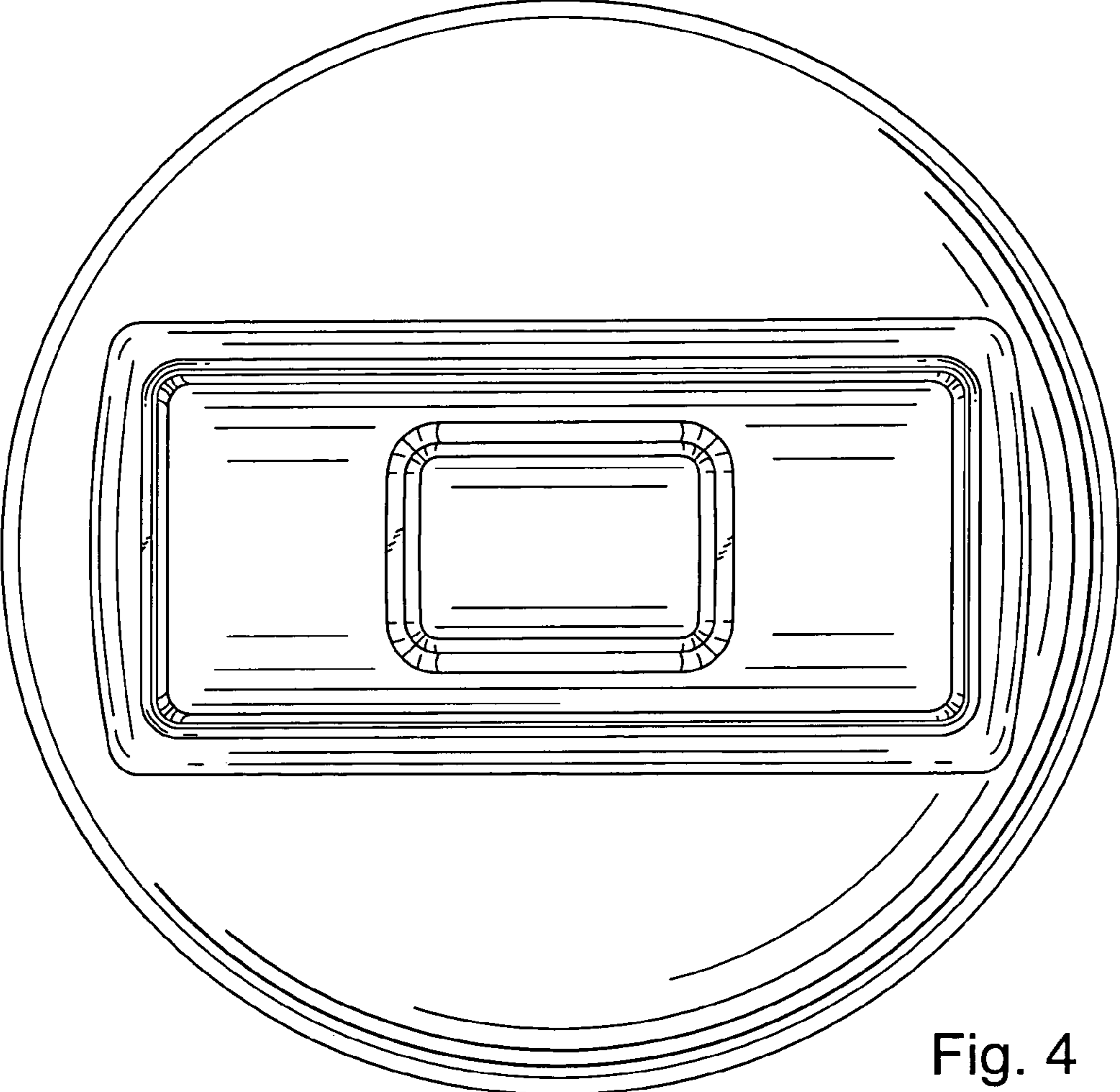


Fig. 4

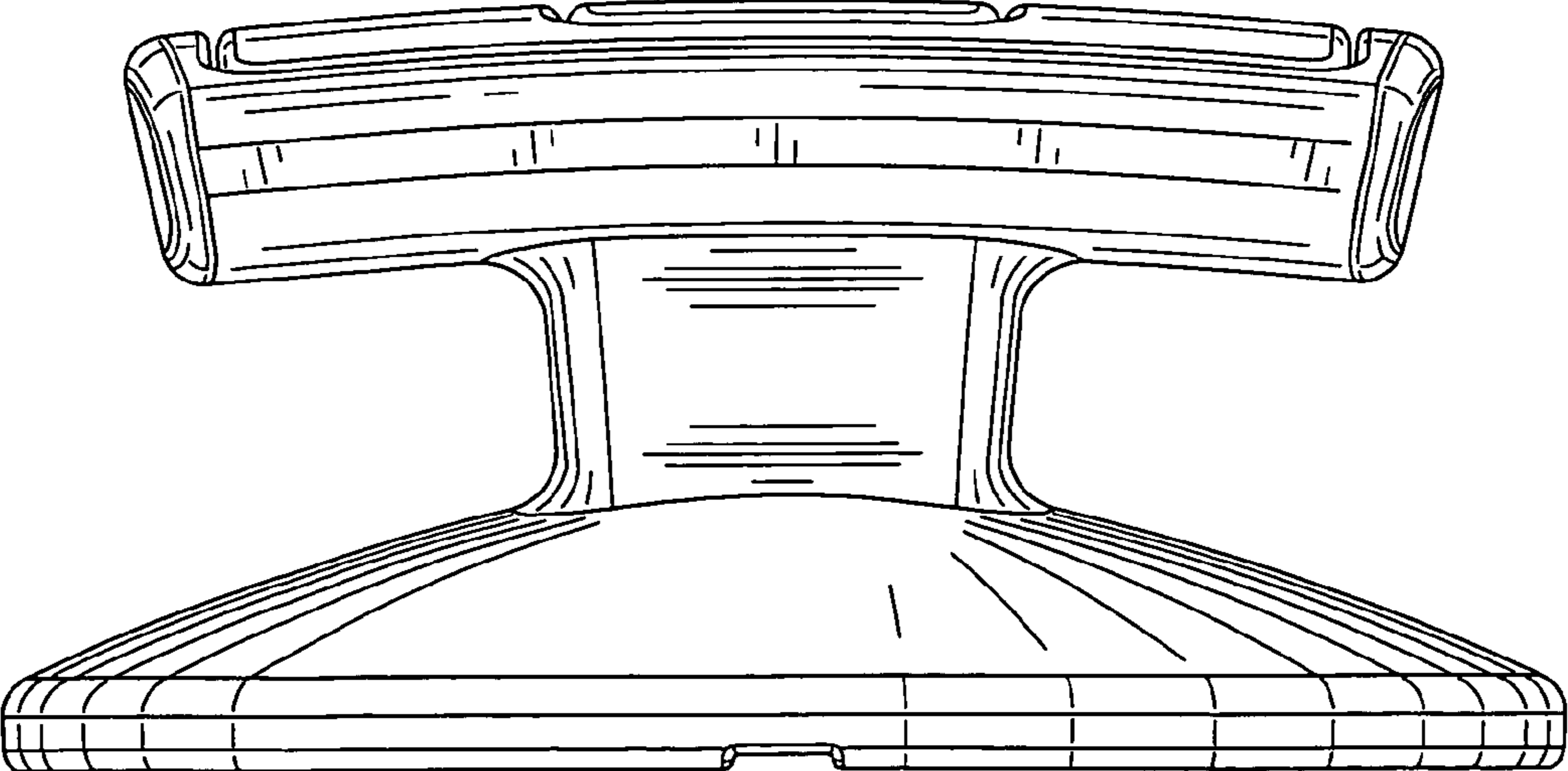


Fig. 3

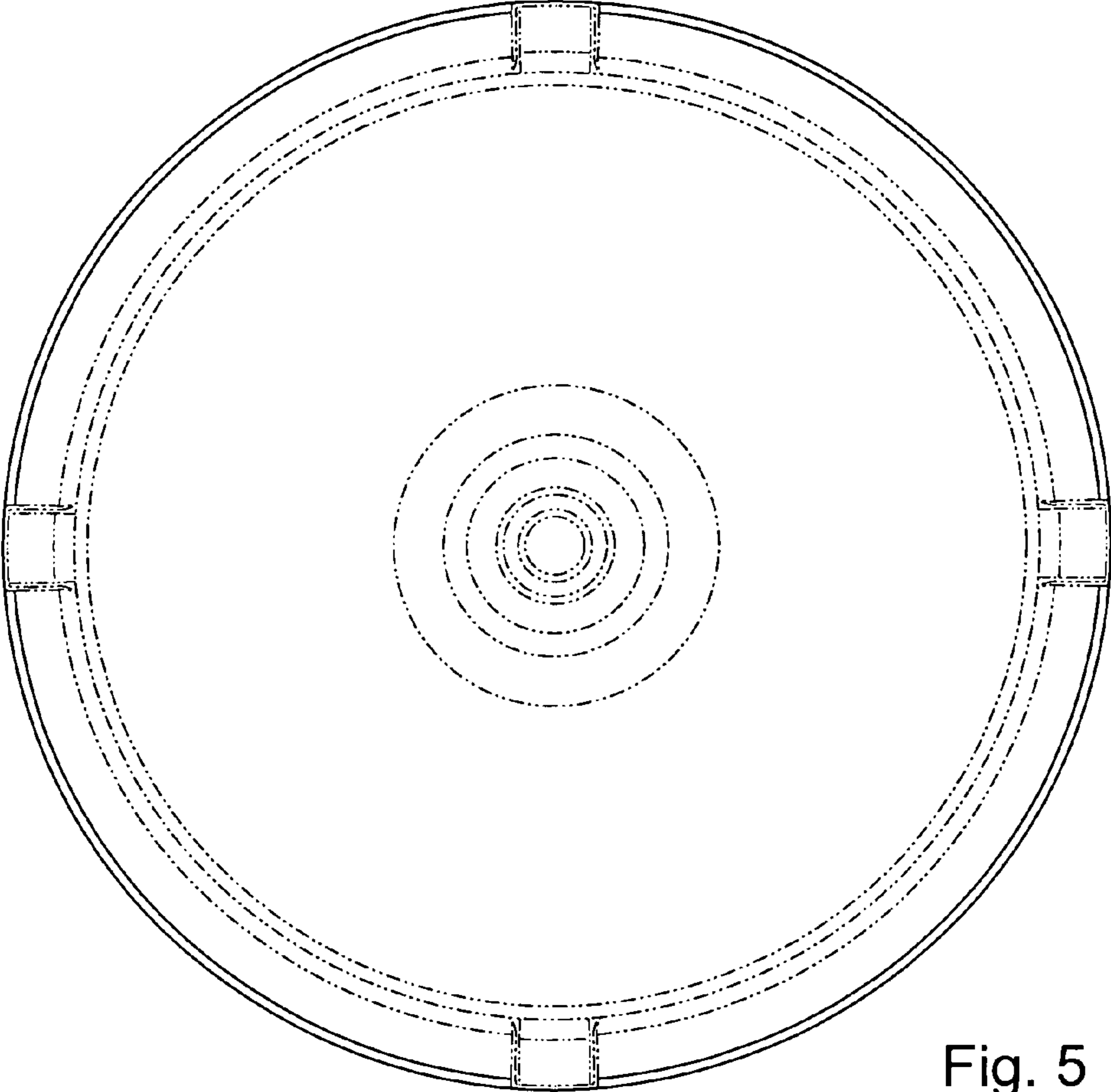


Fig. 5