



US00D617604S

(12) **United States Design Patent**
Munari

(10) **Patent No.:** **US D617,604 S**
(45) **Date of Patent:** **** Jun. 15, 2010**

(54) **COOKWARE HANDLE**
(75) Inventor: **Marco Munari**, Cardano al Campo (IT)
(73) Assignee: **La Termoplastico F.B.M. S.r.l.**, Arsago
Seprio (Varese) (IT)
(**) Term: **14 Years**
(21) Appl. No.: **29/314,763**
(22) Filed: **Apr. 27, 2009**

D461,092 S * 8/2002 Coudurier D7/393
D496,557 S * 9/2004 Munari D7/394
D525,079 S * 7/2006 Munari D7/394
D527,577 S * 9/2006 Magnouloux D7/393
D555,423 S * 11/2007 Hoff D7/393
D577,953 S * 10/2008 Plichon D7/393

* cited by examiner

Primary Examiner—Philip S Hyder
Assistant Examiner—Cynthia M Chin
(74) *Attorney, Agent, or Firm*—Hedman & Costigan, P.C.;
James V. Costigan

(30) **Foreign Application Priority Data**
Nov. 4, 2008 (EM) 001033195
(51) **LOC (9) Cl.** **07-02**
(52) **U.S. Cl.** **D7/393**
(58) **Field of Classification Search** D7/354–361,
D7/391, 393, 394; D8/300, 301, 305, 307,
D8/308, 310, 311, 312, 316, 319, 320; 220/752;
16/110.1, 402, 410, 412, 414, 417, 433, 441–443;
D3/318; D4/129
See application file for complete search history.

(57) **CLAIM**

I claim, the ornamental design for a cookware handle, as shown and described.

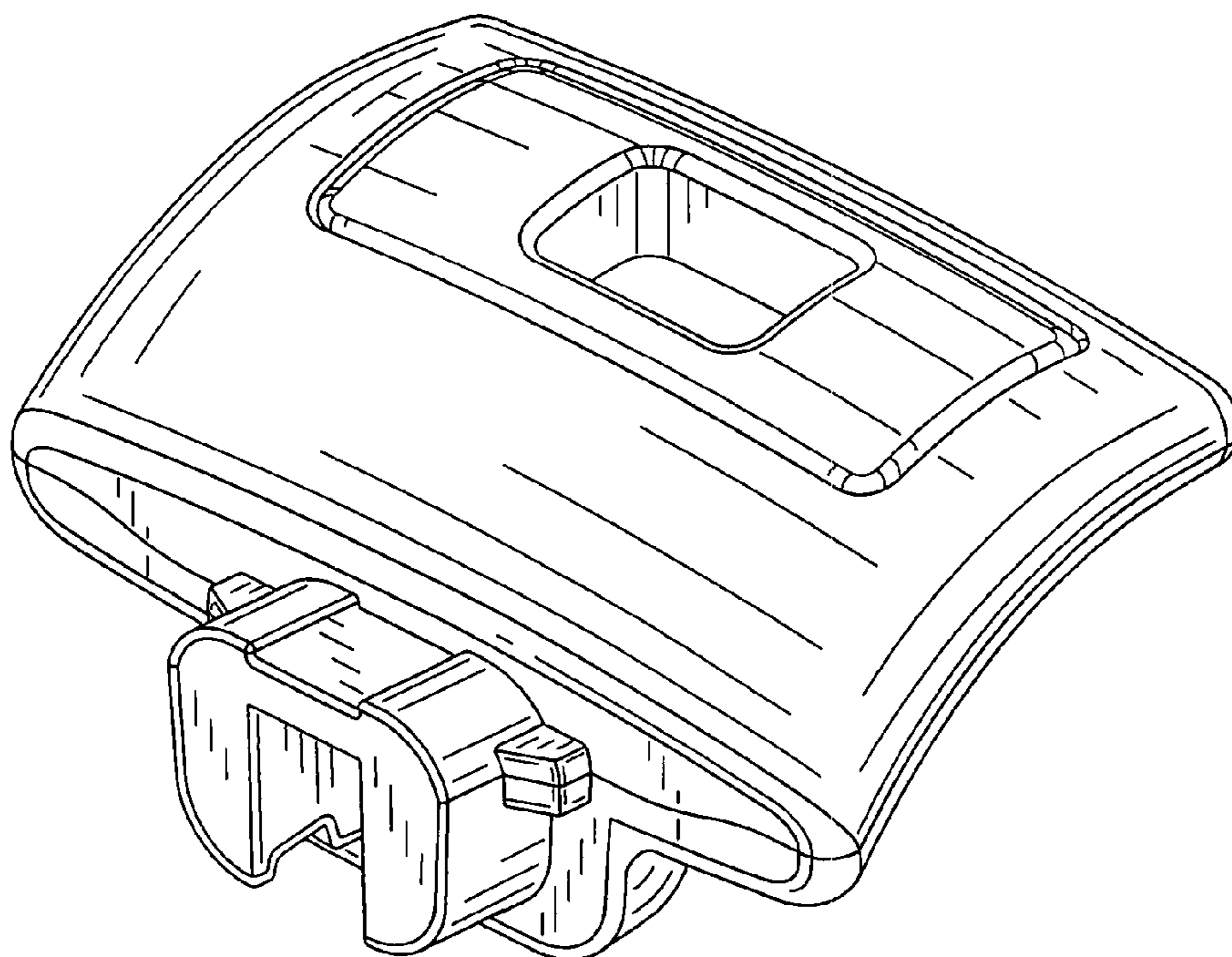
DESCRIPTION

FIG. 1 is a perspective view of a cookware handle, showing my new design;
FIG. 2 is a back view thereof;
FIG. 3 is a left side view thereof;
FIG. 4 is a top view thereof;
FIG. 5 is a front view thereof;
FIG. 6 is a right side view thereof; and,
FIG. 7 is a bottom view thereof.

The subject matter in broken lines forms no part of the claimed design.

(56) **References Cited**
U.S. PATENT DOCUMENTS
D344,430 S * 2/1994 Raoult D7/394
D348,178 S * 6/1994 Munari D7/394
D391,444 S * 3/1998 Munari D7/394
D448,607 S * 10/2001 Munari D7/393
D448,972 S * 10/2001 Knorr D7/393

1 Claim, 2 Drawing Sheets



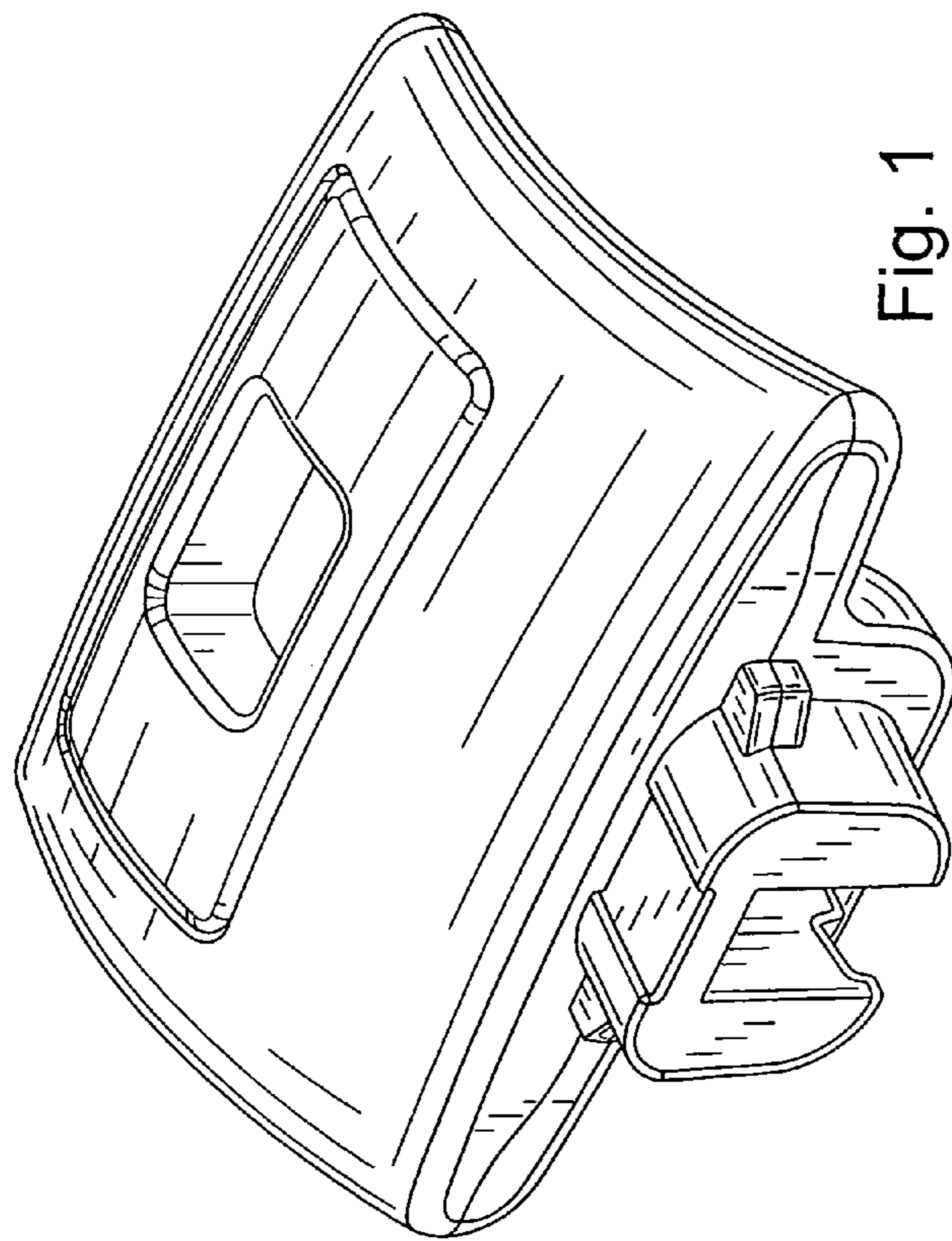


Fig. 1

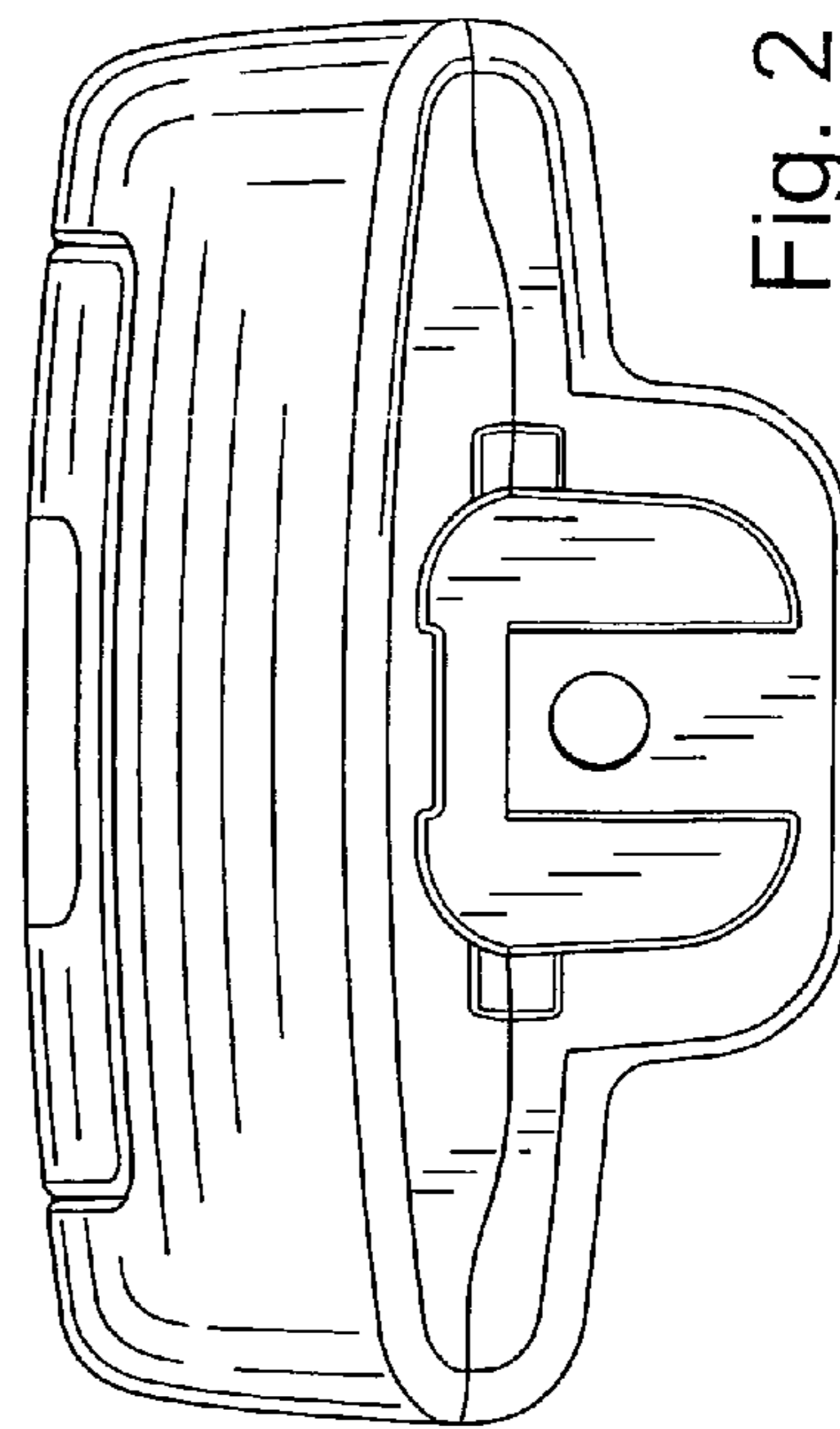


Fig. 2

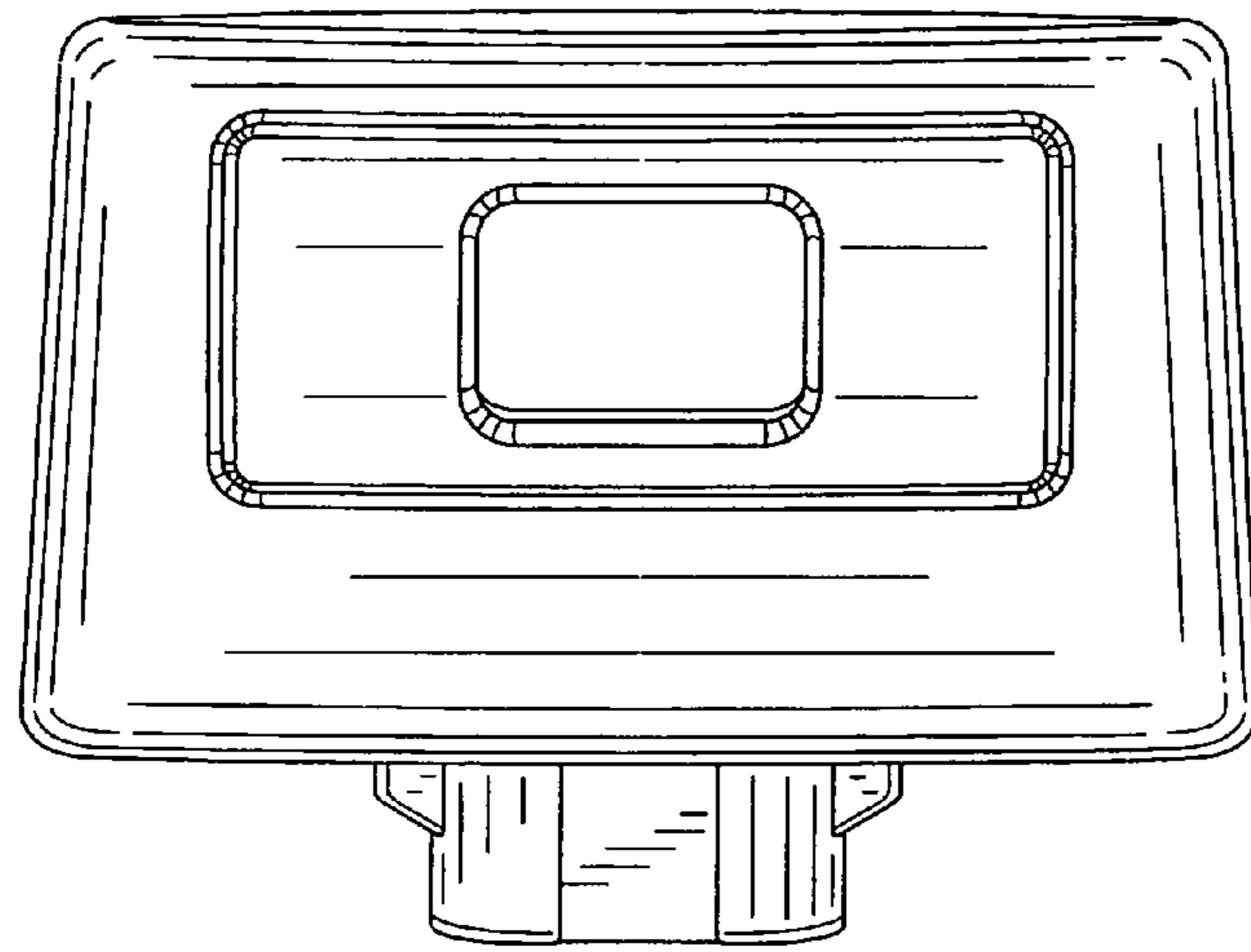


Fig. 4

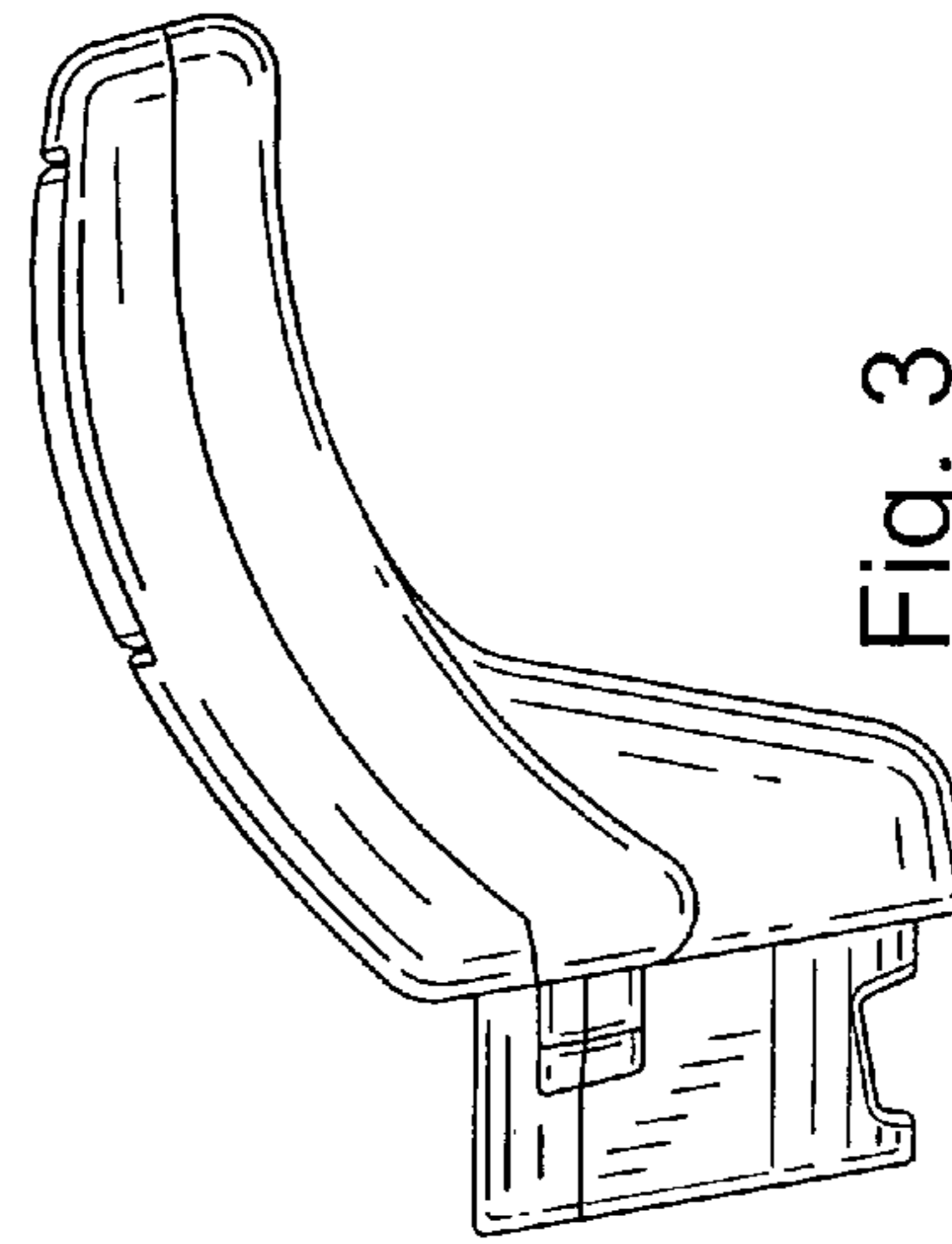


Fig. 3

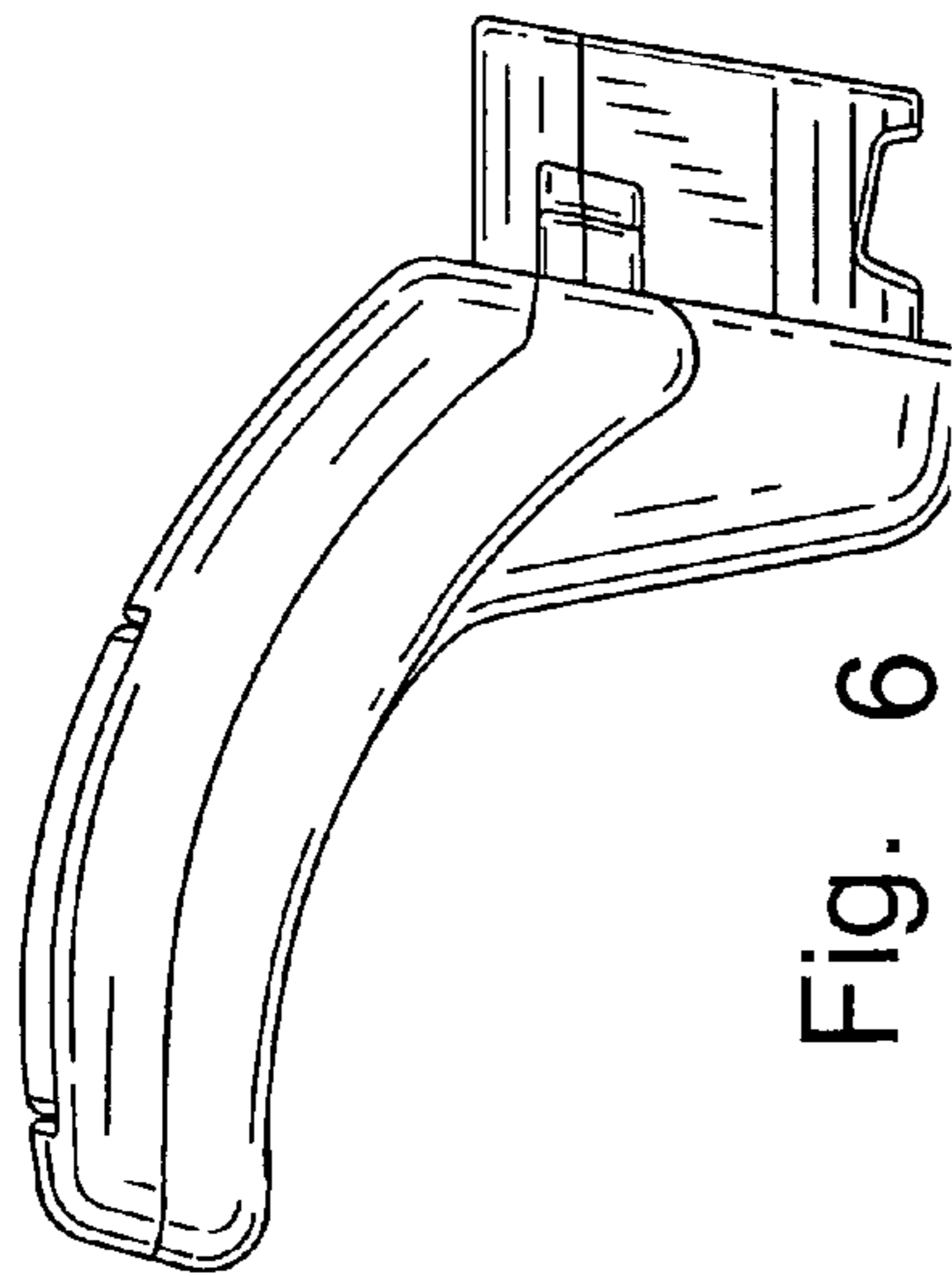


Fig. 6

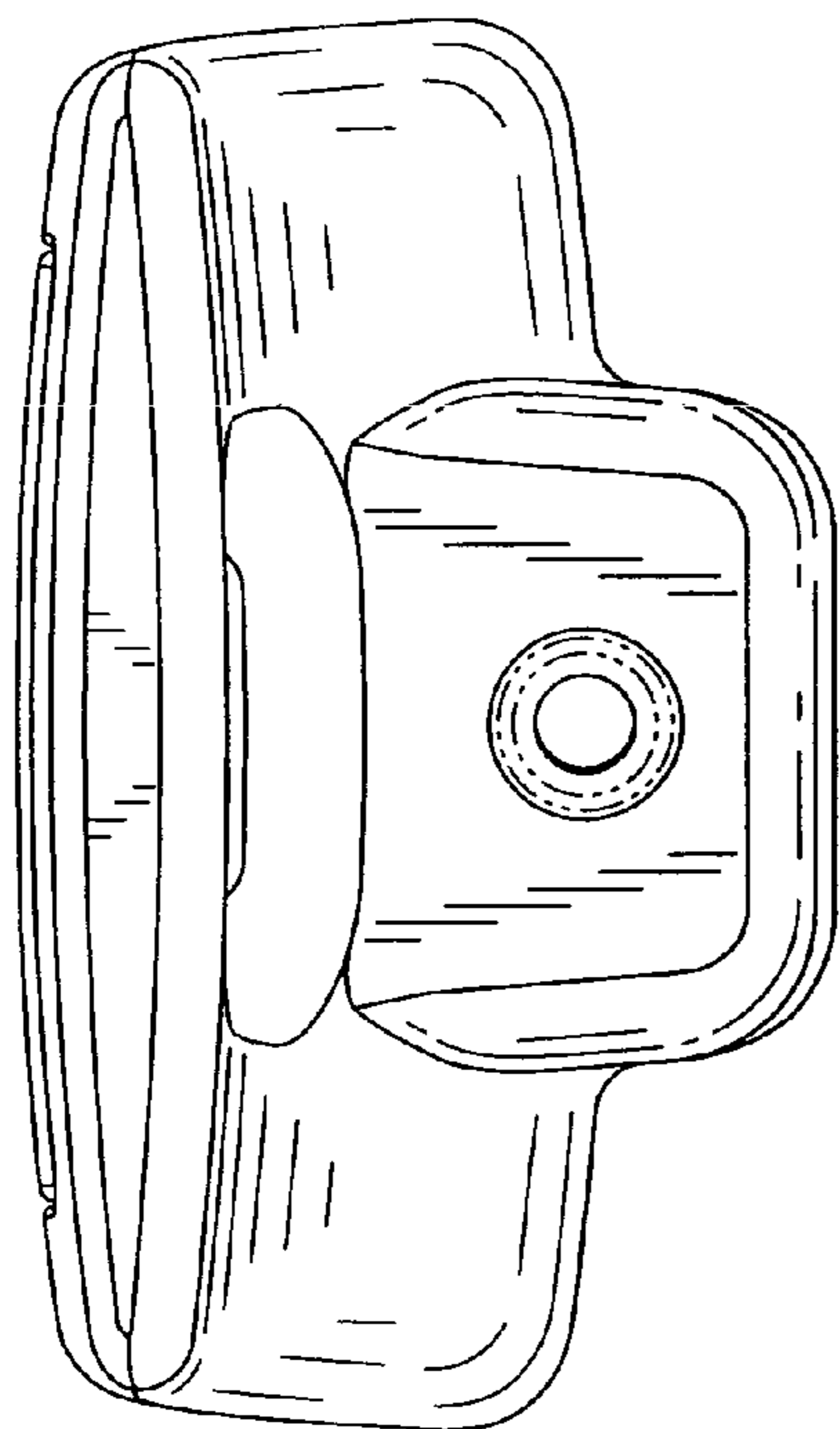


Fig. 5

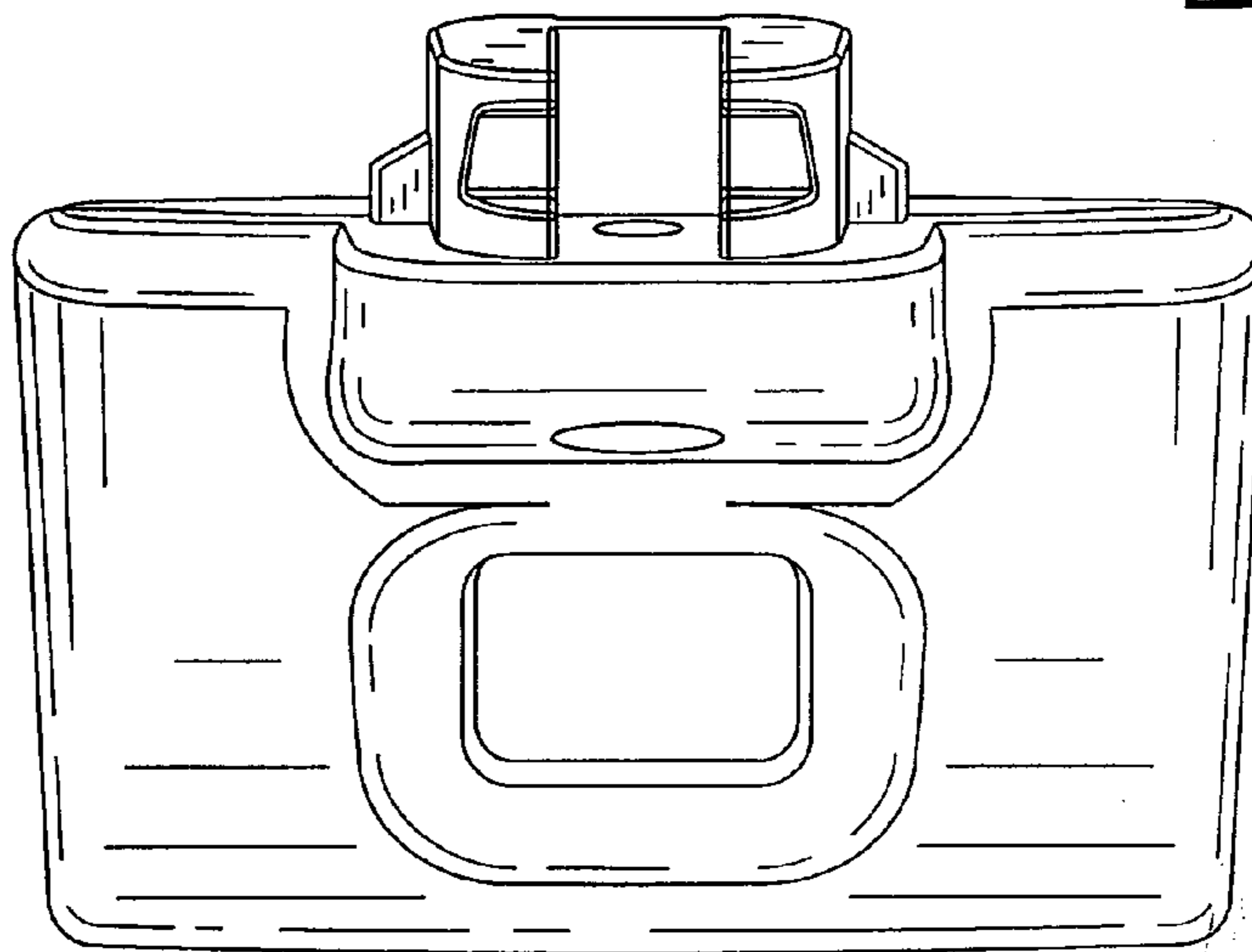


Fig. 7