



US00D617594S

(12) **United States Design Patent**
Di Stefano

(10) **Patent No.:** **US D617,594 S**
(45) **Date of Patent:** **** Jun. 15, 2010**

(54) **BRACKET ADAPTER**

FOREIGN PATENT DOCUMENTS

(76) Inventor: **Carmelo Joseph Licciardi Di Stefano**,
110 Northcorp Boulevard,
Broadmeadows VIC 3047 (AU)

EP 0307333 B1 4/1992
JP 2001-303875 10/2001
JP 2006-257863 9/2006
JP 2007-75336 3/2007

(**) Term: **14 Years**

* cited by examiner

(21) Appl. No.: **29/315,927**

Primary Examiner—Susan Bennett Hattan

Assistant Examiner—Barbara B Lohr

(22) Filed: **Aug. 6, 2009**

(74) *Attorney, Agent, or Firm*—Head, Johnson & Kachigian,
P.C.

(30) **Foreign Application Priority Data**

Feb. 9, 2009 (AU) 10352/2009

(57) **CLAIM**

(51) **LOC (9) Cl.** **06-10**

The ornamental design for a bracket adapter, as shown and described.

(52) **U.S. Cl.** **D6/580**

(58) **Field of Classification Search** D6/575,
D6/576, 578, 579, 580, 581; 160/38, 39,
160/168.1, 168.1 R, 168.1 V, 173, 173 R,
160/176.1 R, 176.1 V, 178.1 R, 178.2, 331,
160/349.1; 318/16, 17, 600; 340/854.5;
84/10

DESCRIPTION

See application file for complete search history.

FIG. 1 is a front view of a bracket adapter showing my new design;

FIG. 2 is a left view thereof;

FIG. 3 is a right view thereof;

FIG. 4 is a top view thereof;

FIG. 5 is a bottom view thereof;

FIG. 6 is a rear view thereof;

FIG. 7 is a first perspective view;

FIG. 8 is a second perspective view; and,

FIG. 9 is a third perspective view.

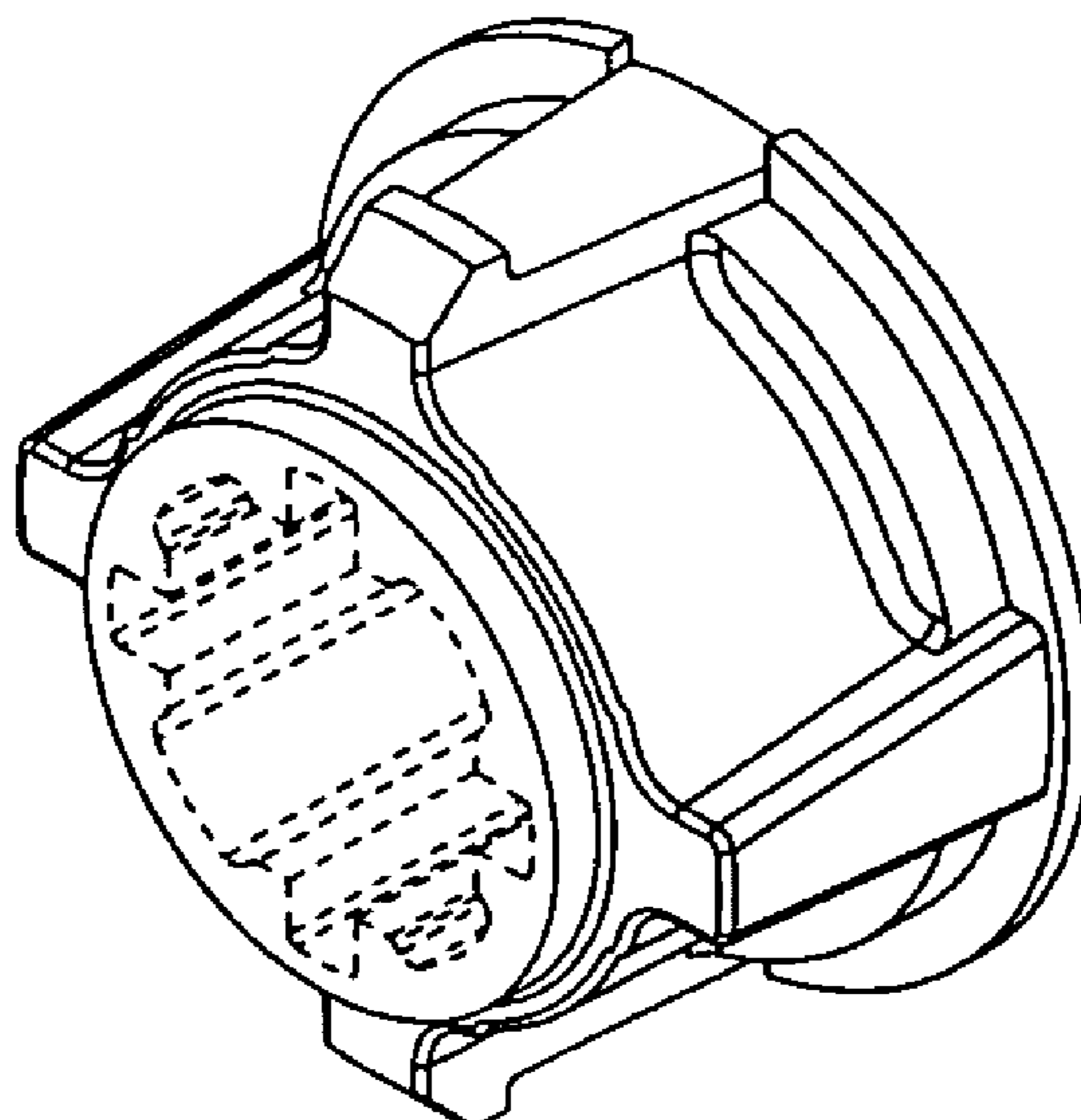
The broken lines in the drawing depict environmental subject matter only and form no part of the claimed design.

(56) **References Cited**

U.S. PATENT DOCUMENTS

5,437,324 A 8/1995 Sternquist
5,881,792 A 3/1999 Cheng
D479,080 S * 9/2003 Damiano D6/580
D509,092 S * 9/2005 Allsopp D6/580
D512,256 S * 12/2005 Allsopp D6/580
D518,326 S * 4/2006 Allsopp D6/580
D568,083 S * 5/2008 Chou D6/580

1 Claim, 3 Drawing Sheets



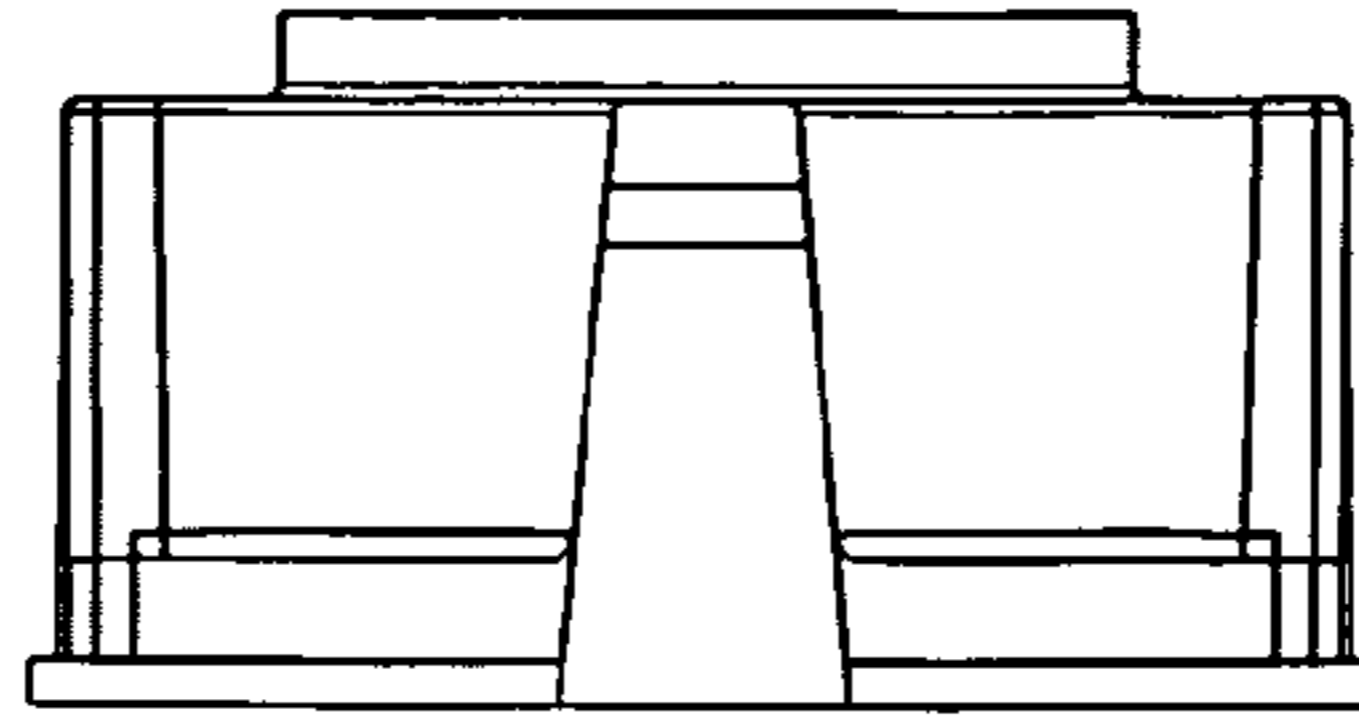


FIG. 4

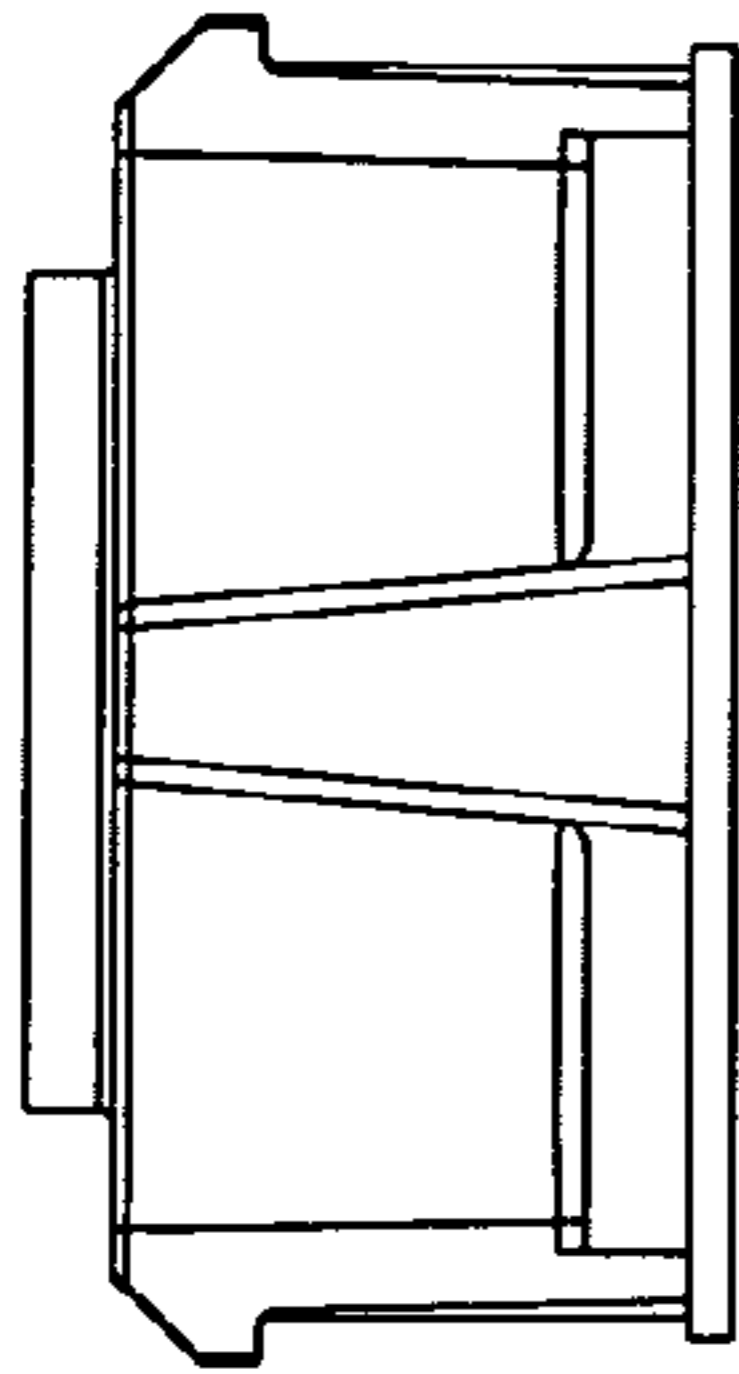


FIG. 2

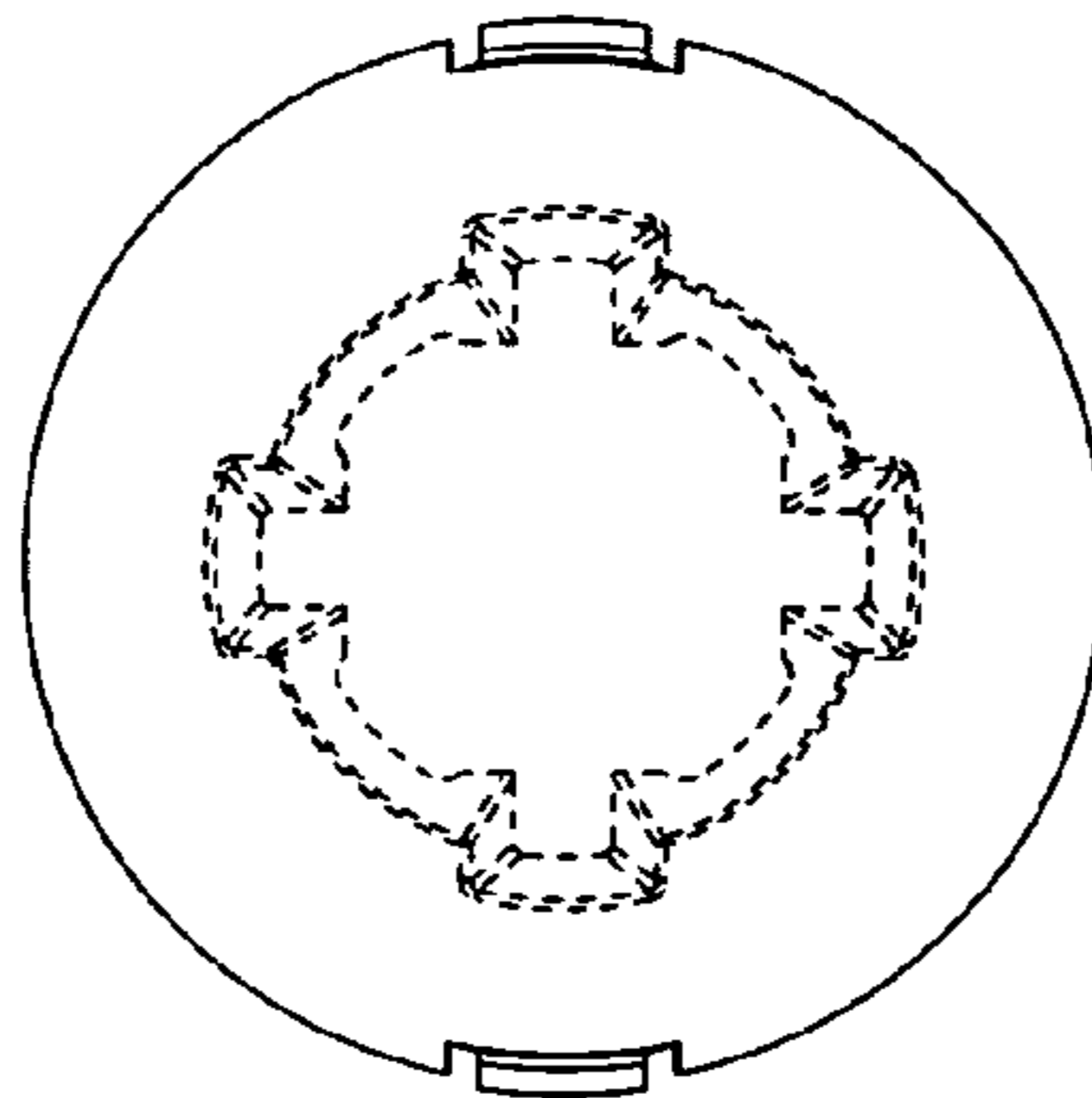


FIG. 1

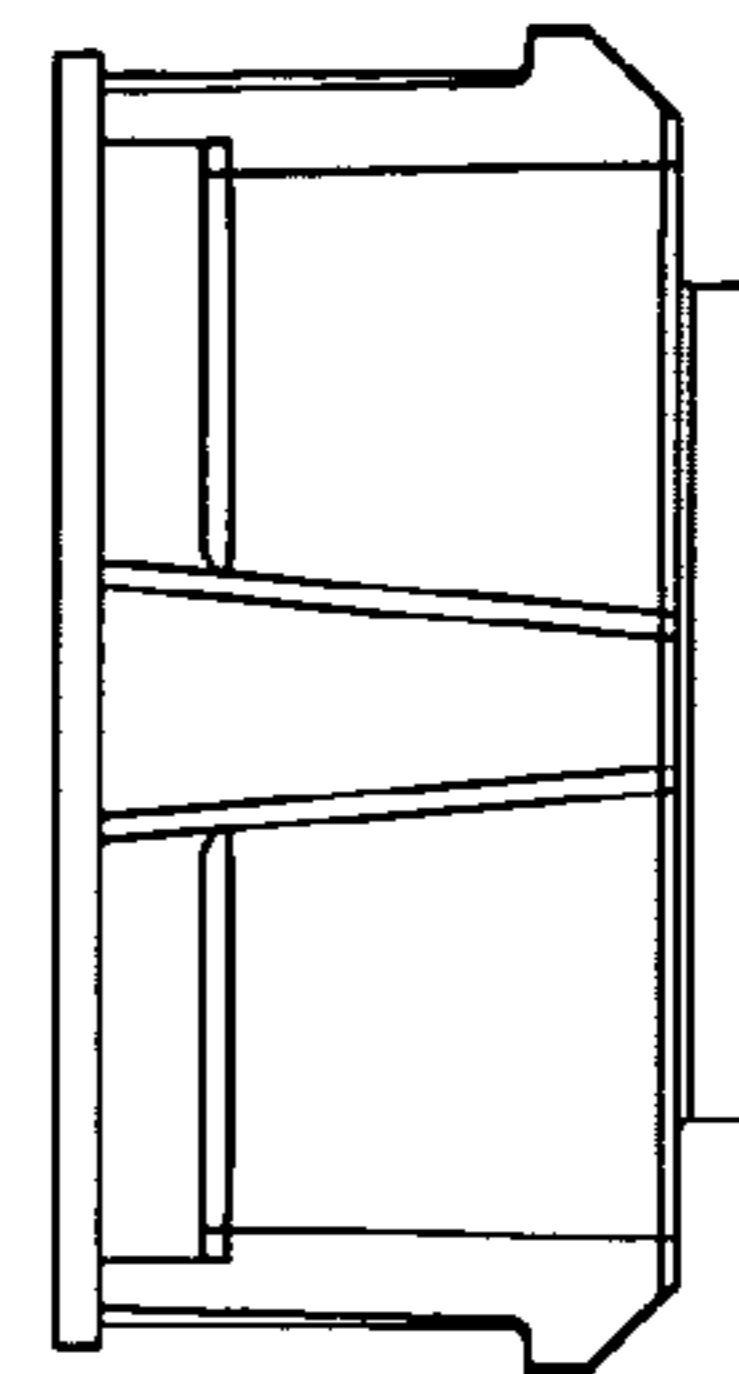


FIG. 3

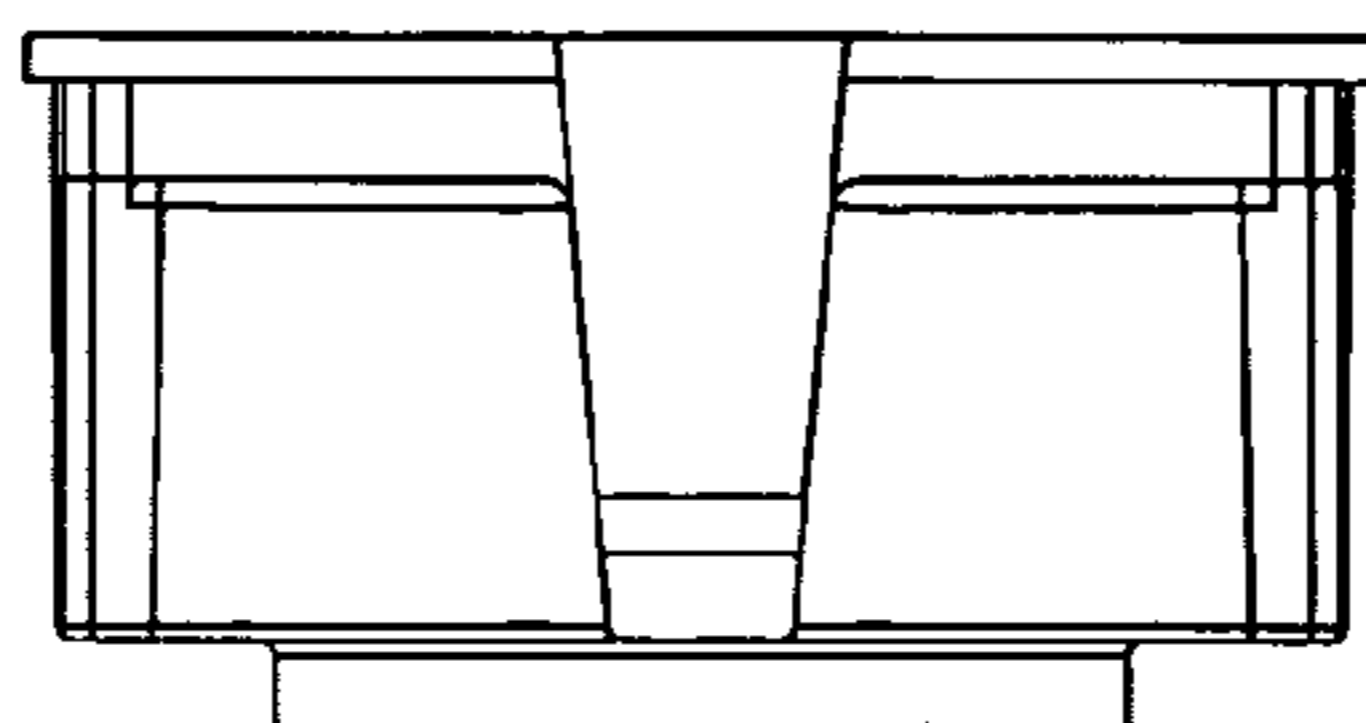


FIG. 5

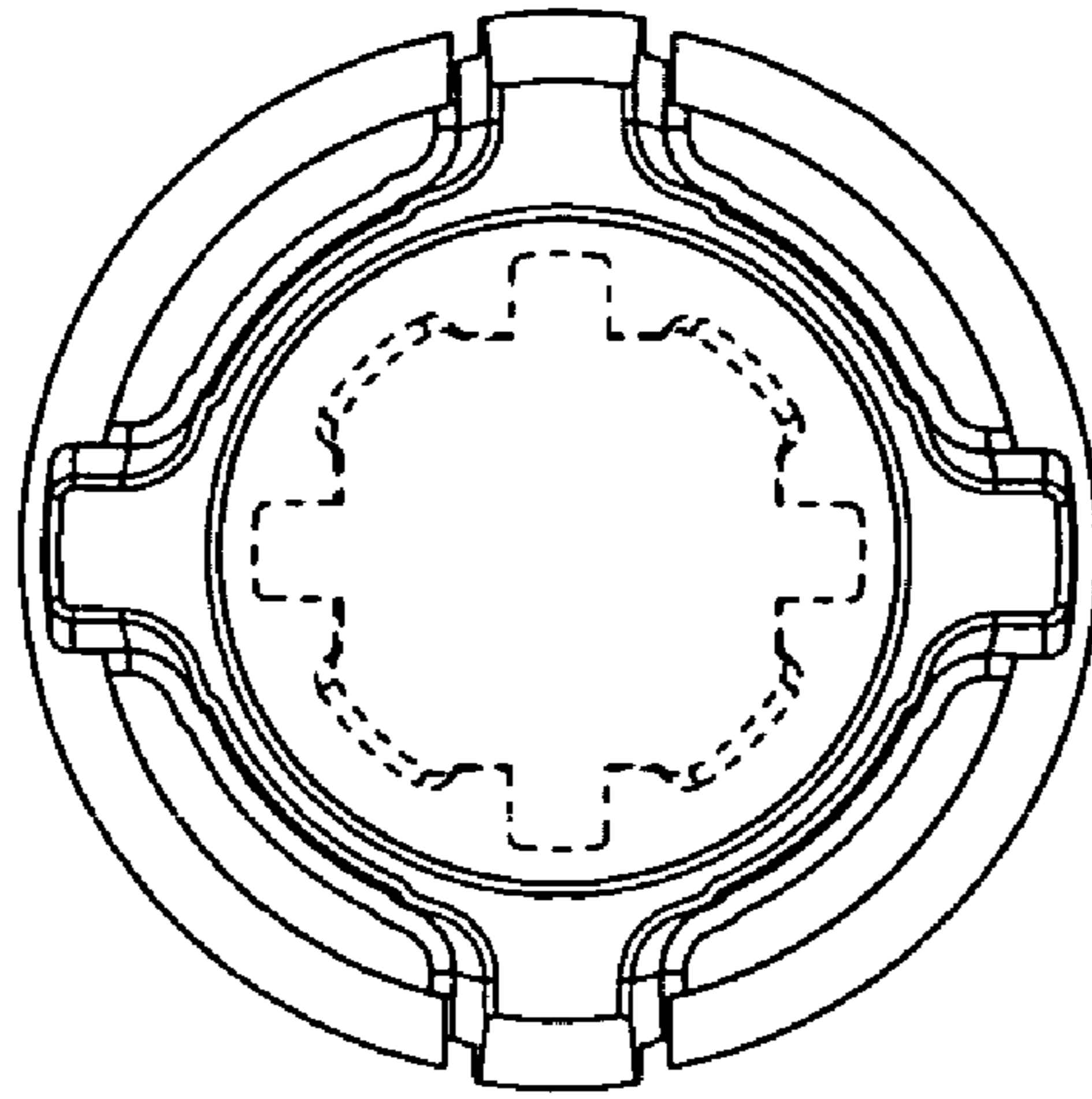


FIG. 6

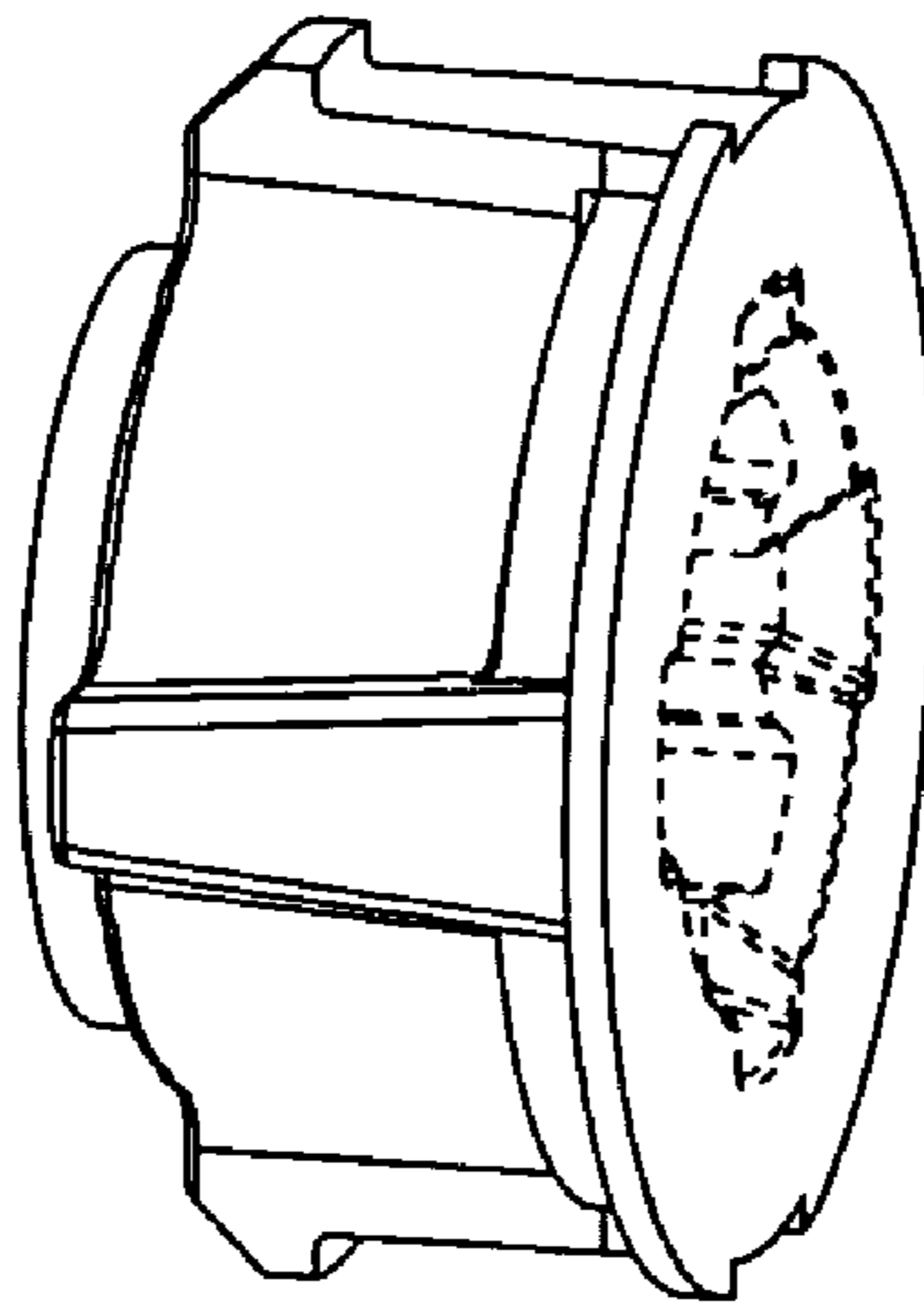


FIG. 7

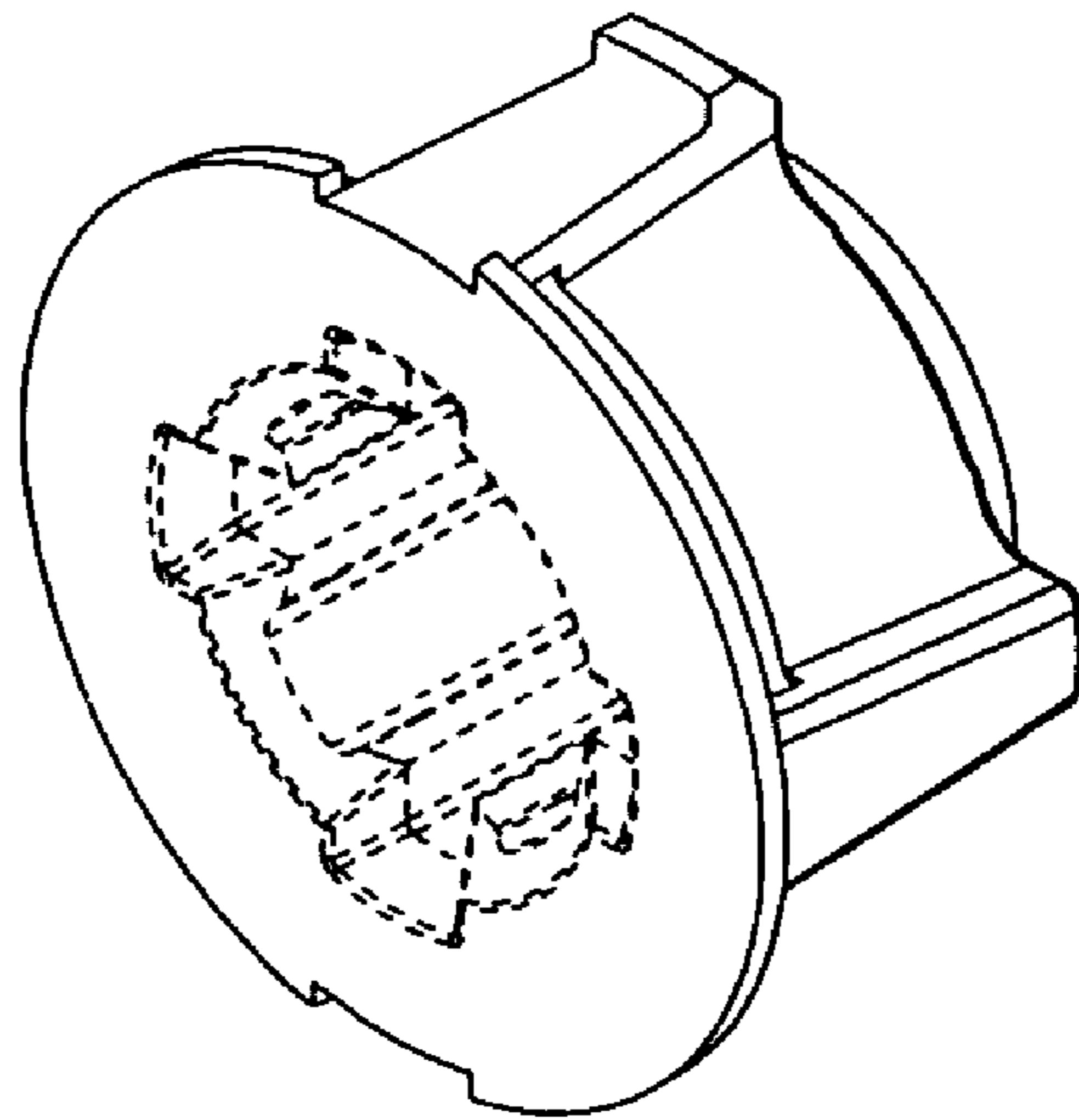


FIG. 8

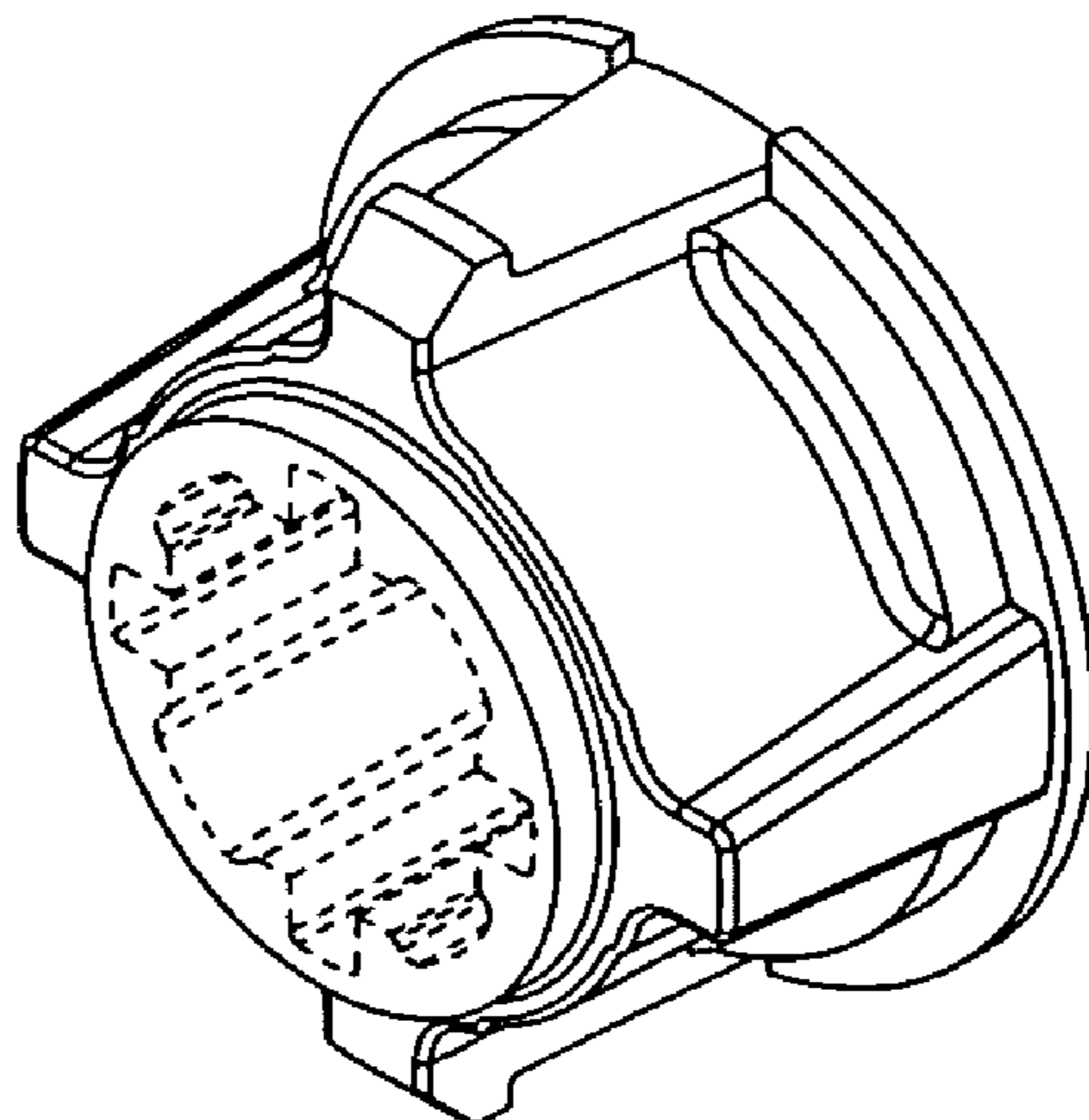


FIG. 9