



US00D617593S

(12) **United States Design Patent**  
**Cohen**

(10) **Patent No.:** **US D617,593 S**  
(45) **Date of Patent:** **\*\* Jun. 15, 2010**

(54) **TOWEL BAR**

(75) Inventor: **Neil Cohen**, New York, NY (US)

(73) Assignee: **Better Houseware Corp.**, Long Island City, NY (US)

(\*\*) Term: **14 Years**

(21) Appl. No.: **29/310,624**

(22) Filed: **Aug. 29, 2008**

(51) **LOC (9) Cl.** ..... **06-04**

(52) **U.S. Cl.** ..... **D6/548**

(58) **Field of Classification Search** ..... D6/546-550;  
248/205.1, 213.1; 211/16, 85.29, 86.01,  
211/87.01, 88.04, 106, 119.004, 181.1, 182  
See application file for complete search history.

(56) **References Cited**

**U.S. PATENT DOCUMENTS**

D422,171 S *	4/2000	Mahlmann	.....	D6/548
D437,163 S *	2/2001	Fiegl et al.	.....	D6/548
D450,510 S *	11/2001	Gottwald	.....	D6/548
D455,591 S *	4/2002	Zetsche	.....	D6/548
D462,219 S *	9/2002	Lowe	.....	D6/548
D571,592 S *	6/2008	Bickler et al.	.....	D6/548
D591,991 S	5/2009	Cohen		

\* cited by examiner

*Primary Examiner*—Brian N Vinson

(74) *Attorney, Agent, or Firm*—Brian Roffe

(57) **CLAIM**

The new, original and ornamental design for a towel bar, as shown and described.

**DESCRIPTION**

FIG. 1 is a front, right side perspective view of a towel bar showing my new design, a mounting part being shown in phantom lines and forming no part of the design of the towel bar, and the towel bar preferably being made partly or entirely of a metal such as stainless steel;

FIG. 2 is a rear elevational view thereof;

FIG. 3 is a front elevational view thereof;

FIG. 4 is a left side view thereof;

FIG. 5 is a right side view thereof;

FIG. 6 is a top plan view thereof;

FIG. 7 is a bottom view thereof;

FIG. 8 is a front, right side perspective view of a second embodiment of a towel bar showing my new design, and the towel bar preferably being made of a metal such as stainless steel;

FIG. 9 is a rear elevational view thereof;

FIG. 10 is a front elevational view thereof;

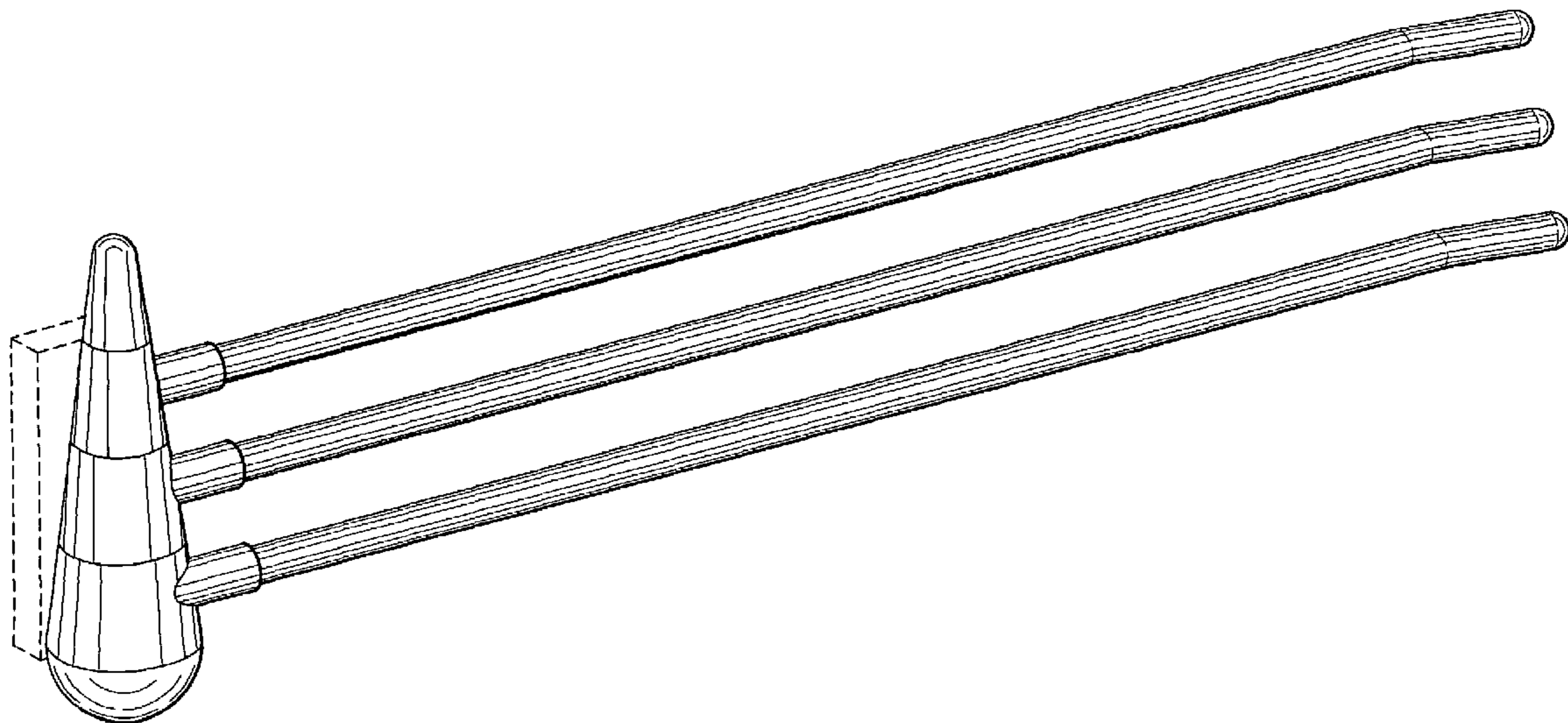
FIG. 11 is a left side view thereof;

FIG. 12 is a right side view thereof;

FIG. 13 is a top plan view thereof; and,

FIG. 14 is a bottom view thereof.

**1 Claim, 6 Drawing Sheets**



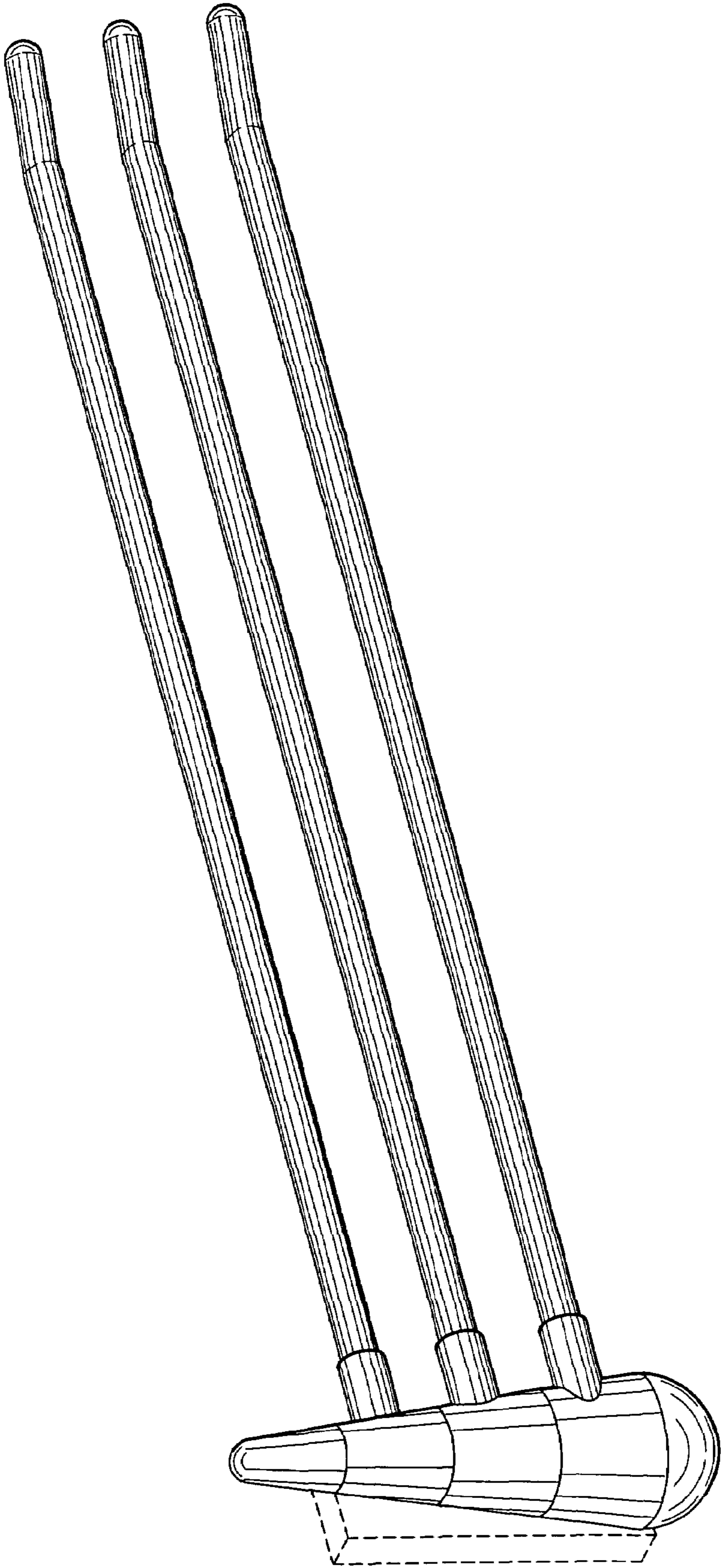


FIG. 1

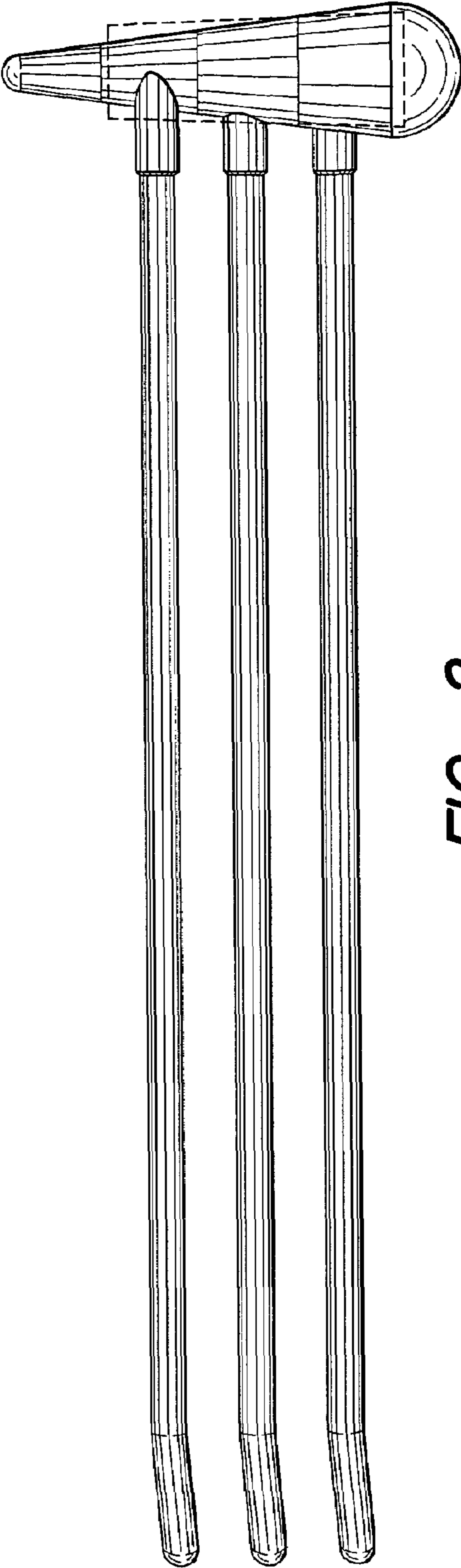


FIG. 2

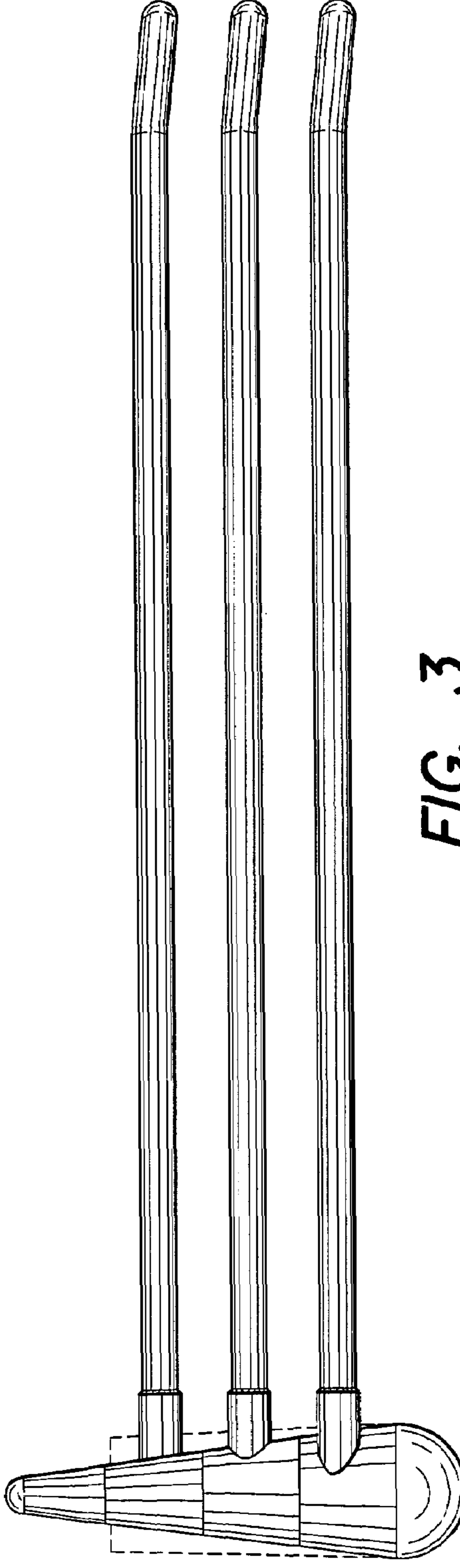


FIG. 3

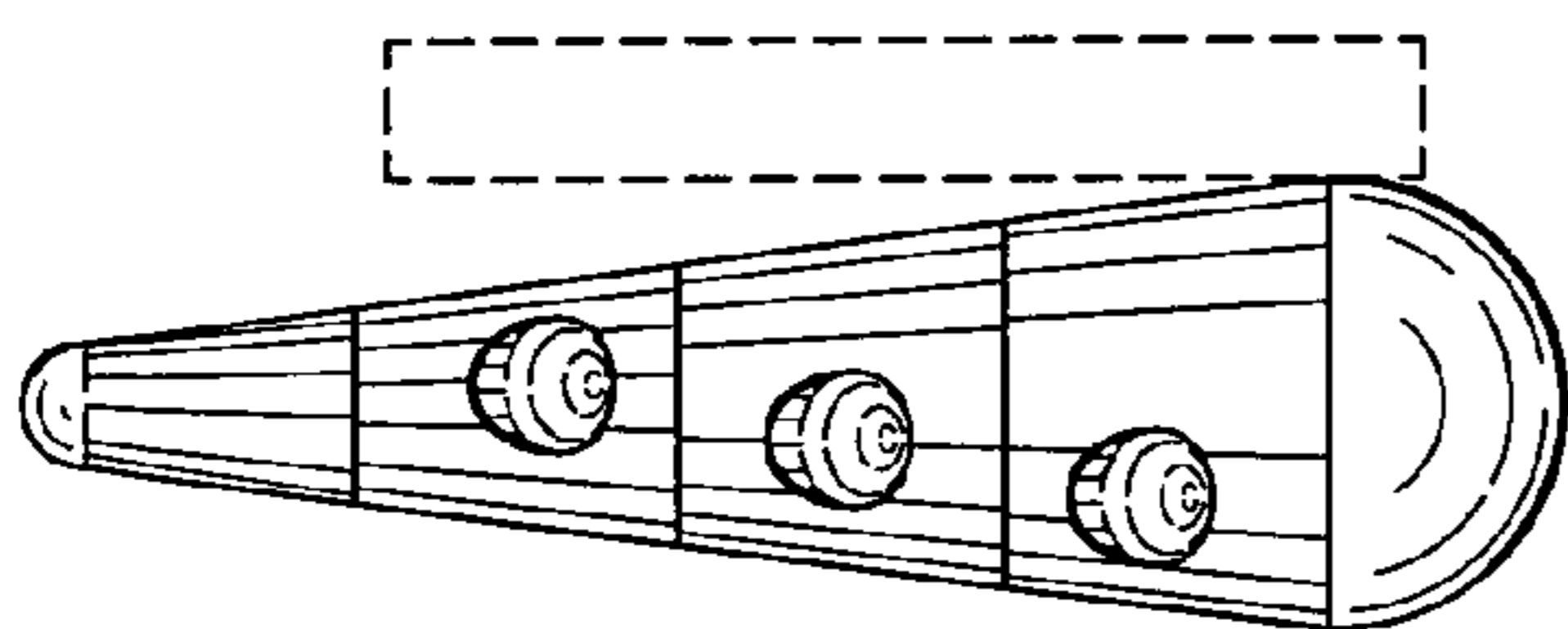


FIG. 4

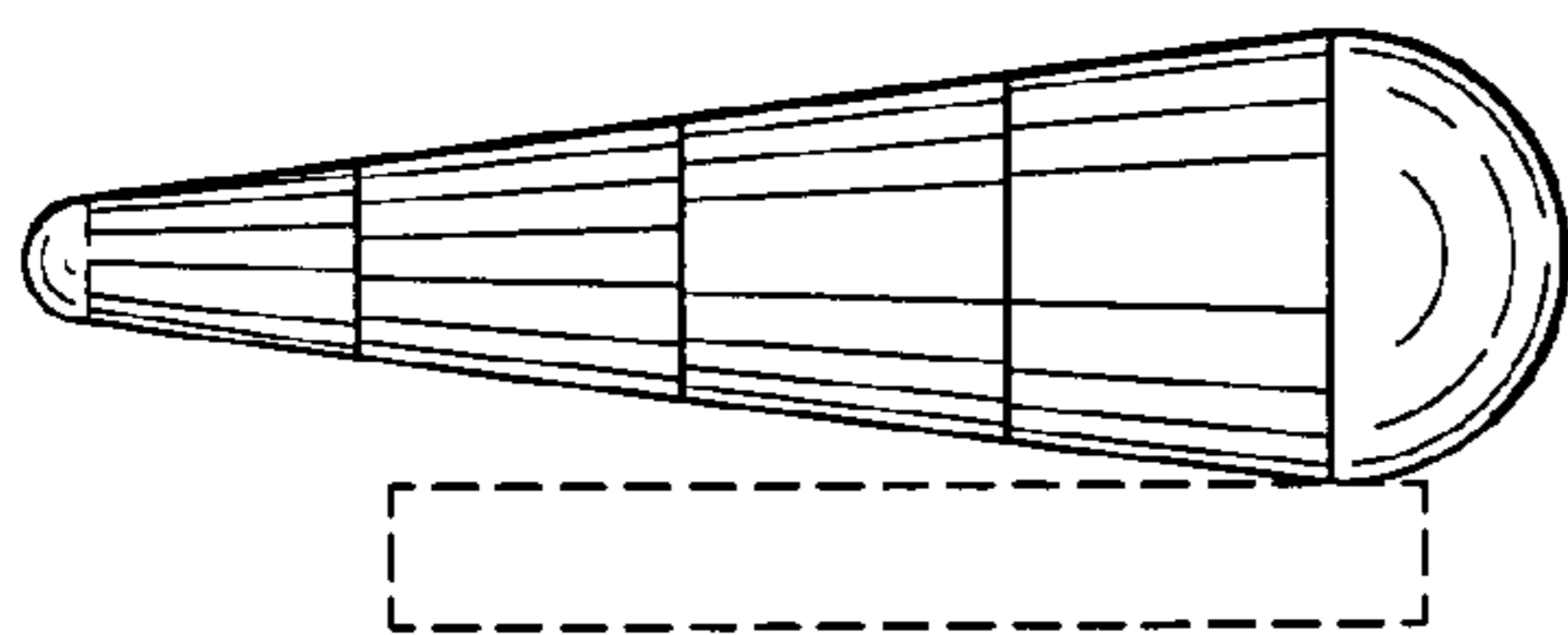


FIG. 5

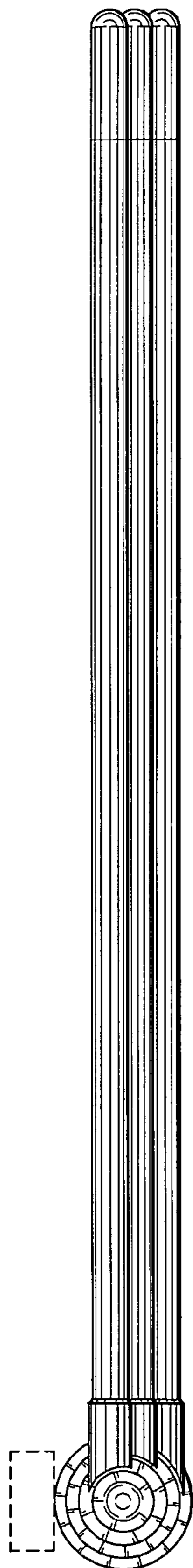


FIG. 6

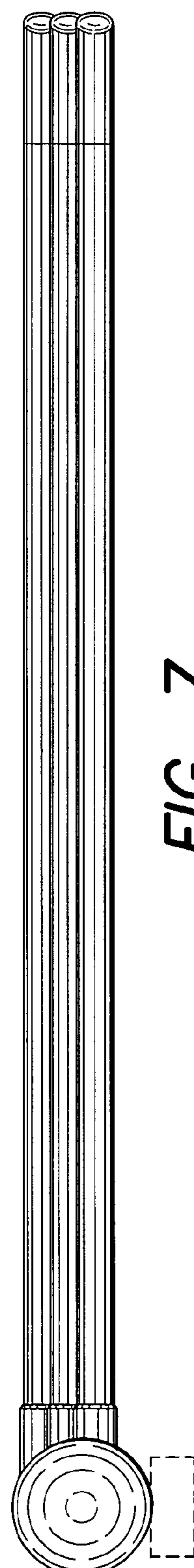


FIG. 7

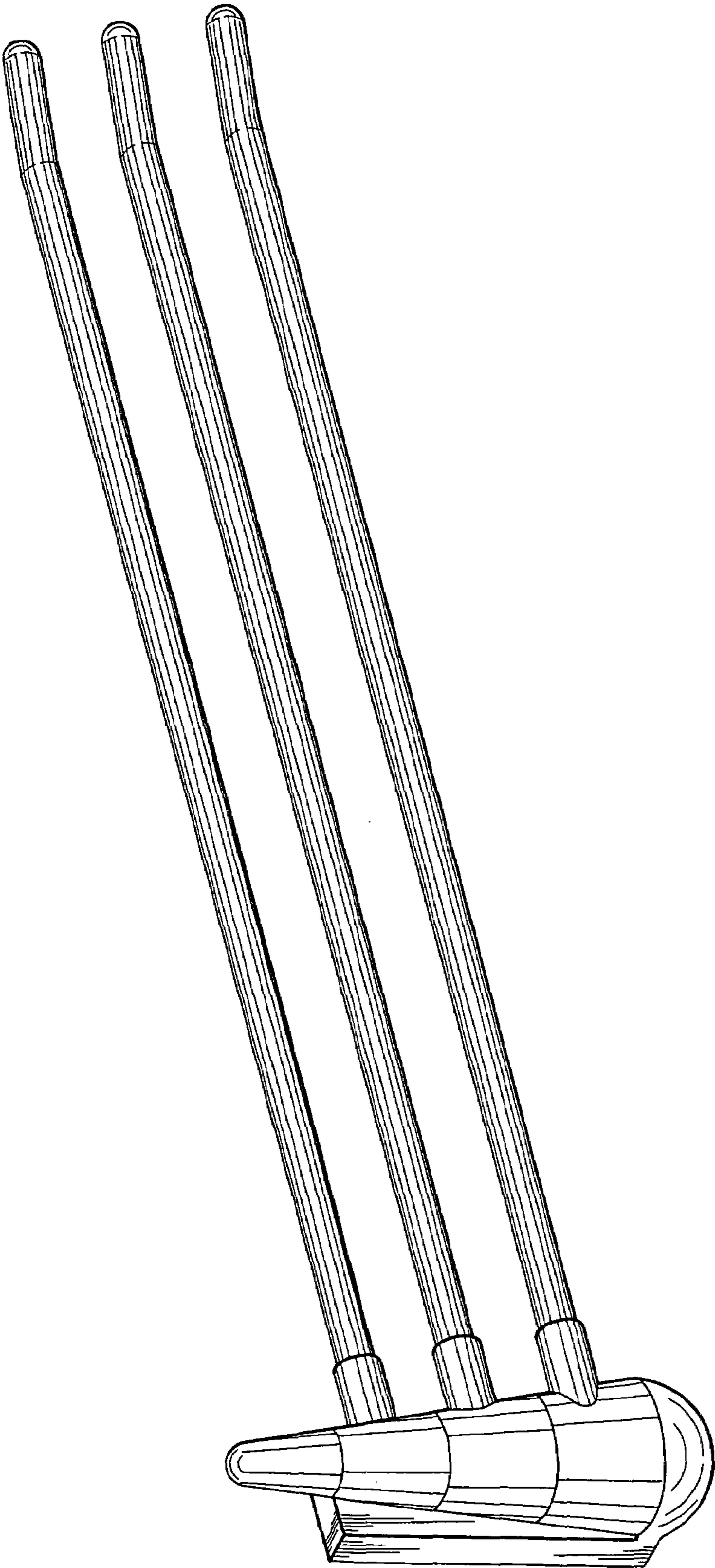
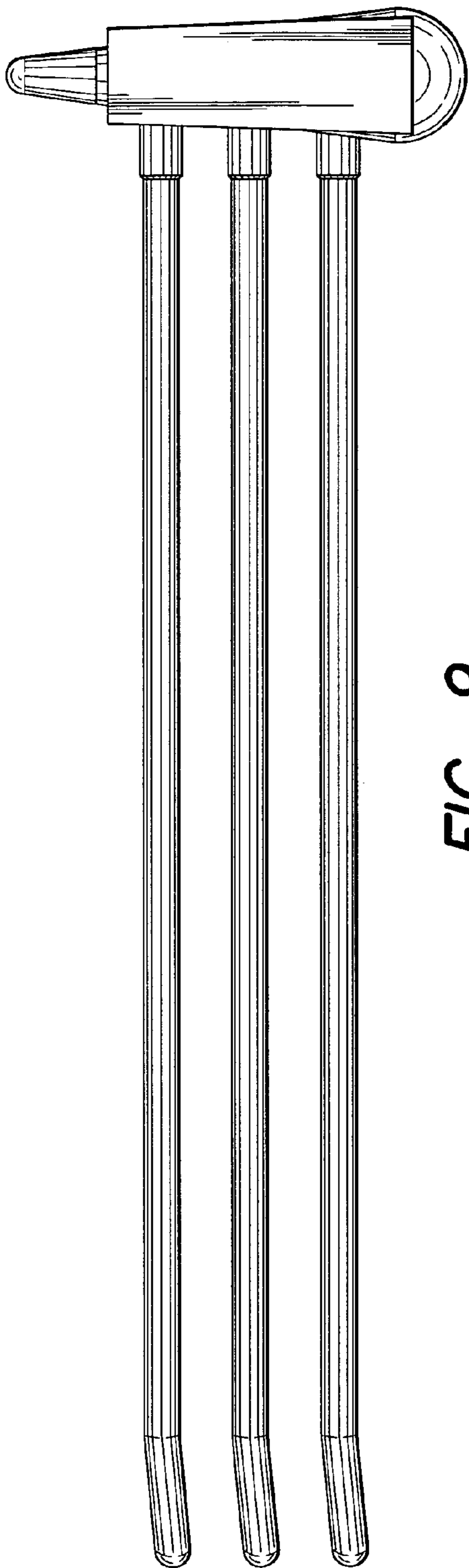
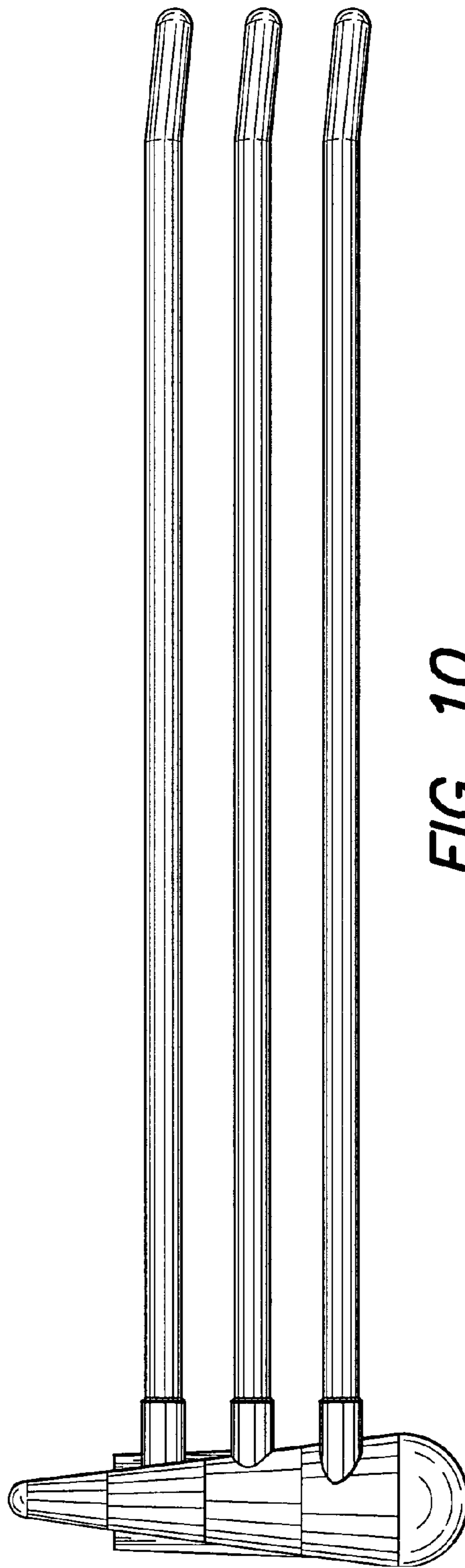


FIG. 8



*FIG. 9*



*FIG. 10*

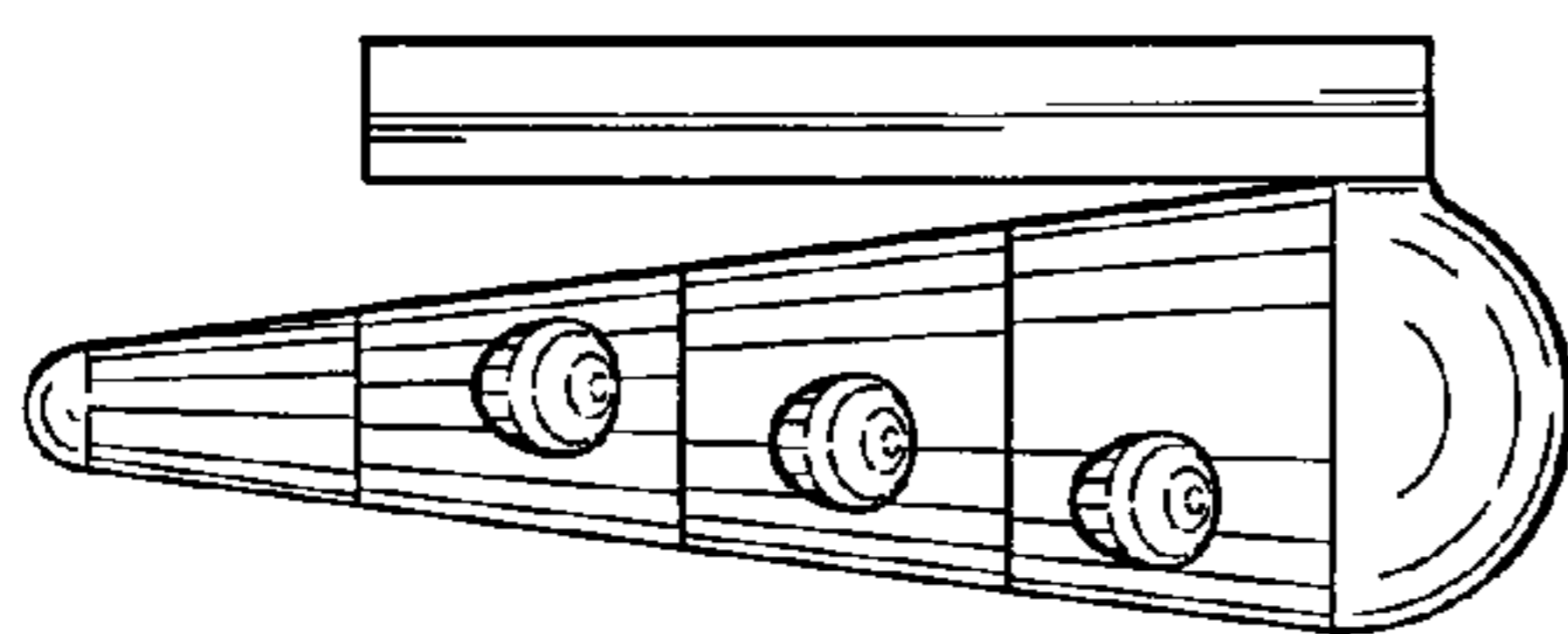


FIG. 11

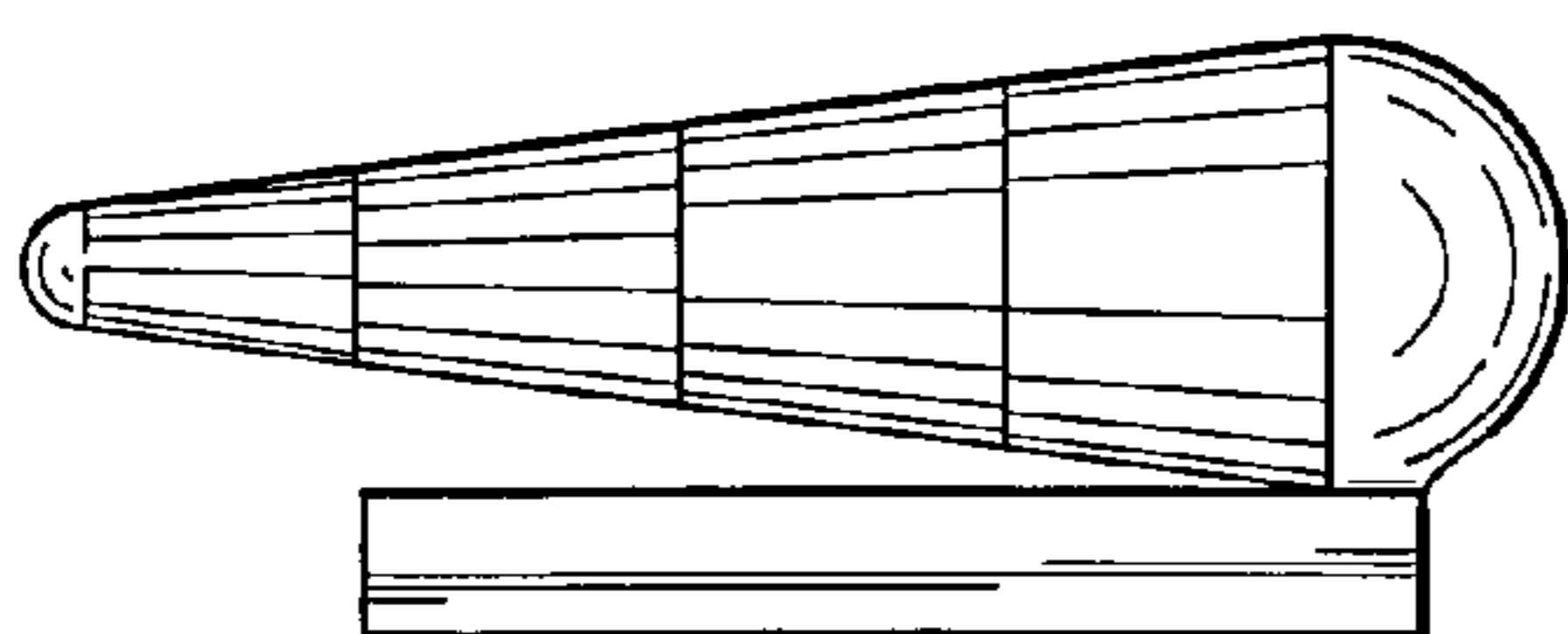


FIG. 12

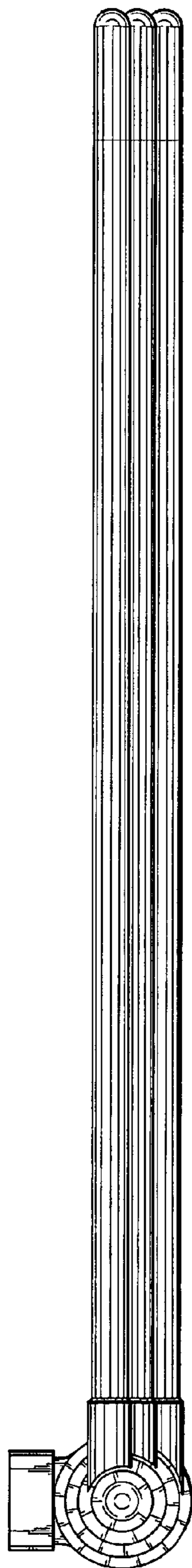


FIG. 13



FIG. 14