



US00D617592S

(12) **United States Design Patent**
Urquiola

(10) **Patent No.:** **US D617,592 S**
(45) **Date of Patent:** **** Jun. 15, 2010**

(54) **TOILET PAPER HOLDER**

(75) Inventor: **Patricia Urquiola**, Milan (IT)

(73) Assignee: **Hansgrohe AG**, Schiltach (DE)

(**) Term: **14 Years**

(21) Appl. No.: **29/333,650**

(22) Filed: **Mar. 12, 2009**

(30) **Foreign Application Priority Data**

Sep. 23, 2008 (EP) 001007314-0010

(51) **LOC (9) Cl.** **20-02**

(52) **U.S. Cl.** **D6/518**

(58) **Field of Classification Search** D6/515,
D6/518-523; D3/201; 206/389, 391, 407,
206/409; 312/34.1, 34.8; 211/16, 85.5, 59.2;
221/92, 97, 185, 282, 284; 242/159, 160.2,
242/550, 560, 590, 595, 588, 598, 598.3,
242/598.6

See application file for complete search history.

(56) **References Cited**

U.S. PATENT DOCUMENTS

4,771,966 A * 9/1988 Anderson D6/522
D448,224 S * 9/2001 Voyer D6/519

D578,813 S * 10/2008 Goodman et al. D6/522
D608,576 S * 1/2010 Goodman et al. D6/522
D609,948 S * 2/2010 Seehoff et al. D6/518

* cited by examiner

Primary Examiner—Brian N Vinson

(74) *Attorney, Agent, or Firm*—Nirav D. Parikh; Edgar A. Zarins

(57) **CLAIM**

The ornamental design for a toilet paper holder, as shown and described.

DESCRIPTION

FIG. 1 is a front perspective view of a toilet paper holder showing my design;

FIG. 2 is a left side elevational view thereof; the right side elevational view being a mirror image thereof;

FIG. 3 is a front elevational view thereof;

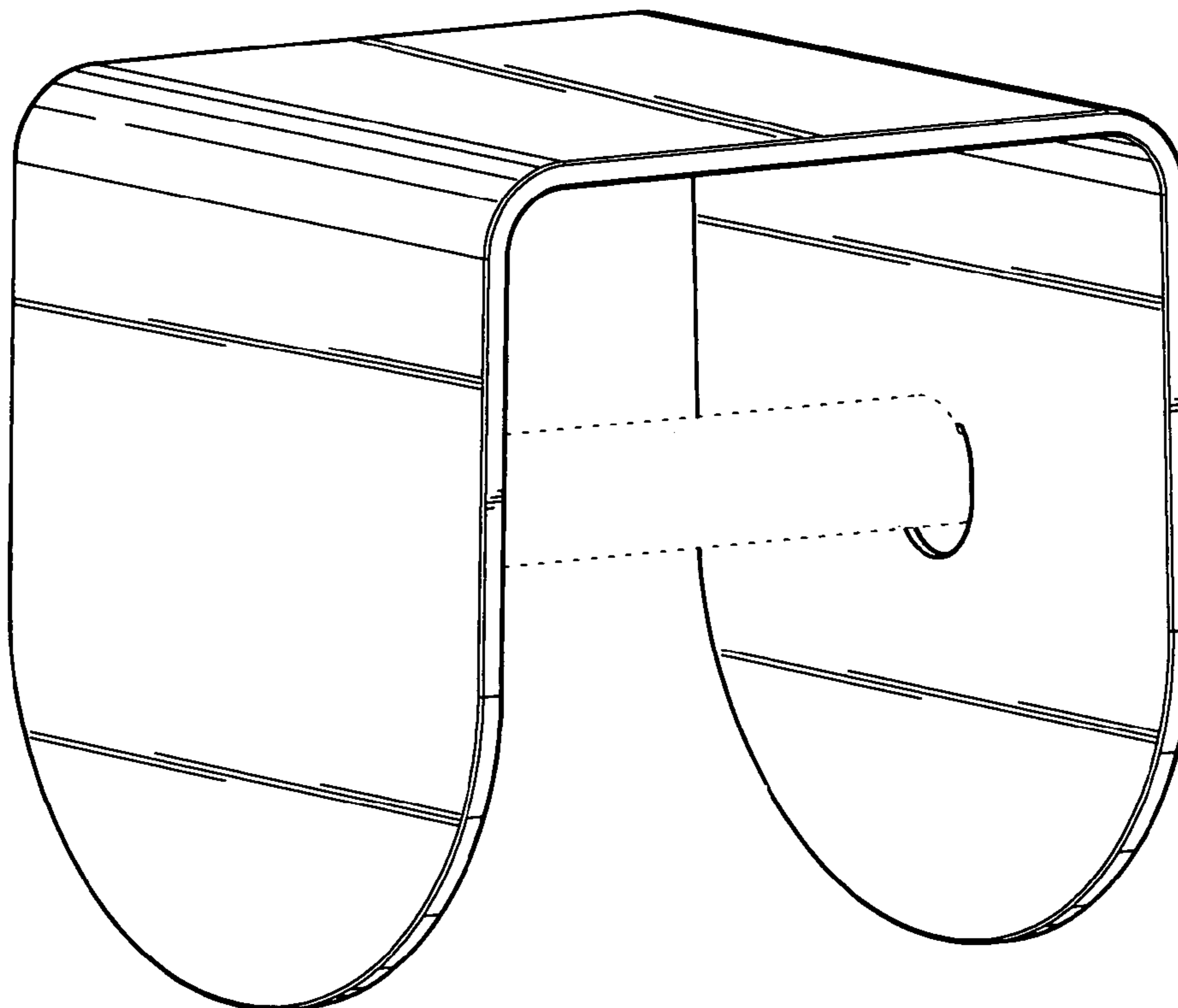
FIG. 4 is a rear elevational view thereof;

FIG. 5 is a top plan view thereof; and,

FIG. 6 is a bottom plan view thereof.

The broken-line disclosure in the views represents portions of the article in which the claimed design is embodied, but which form no part of the claimed design.

1 Claim, 6 Drawing Sheets



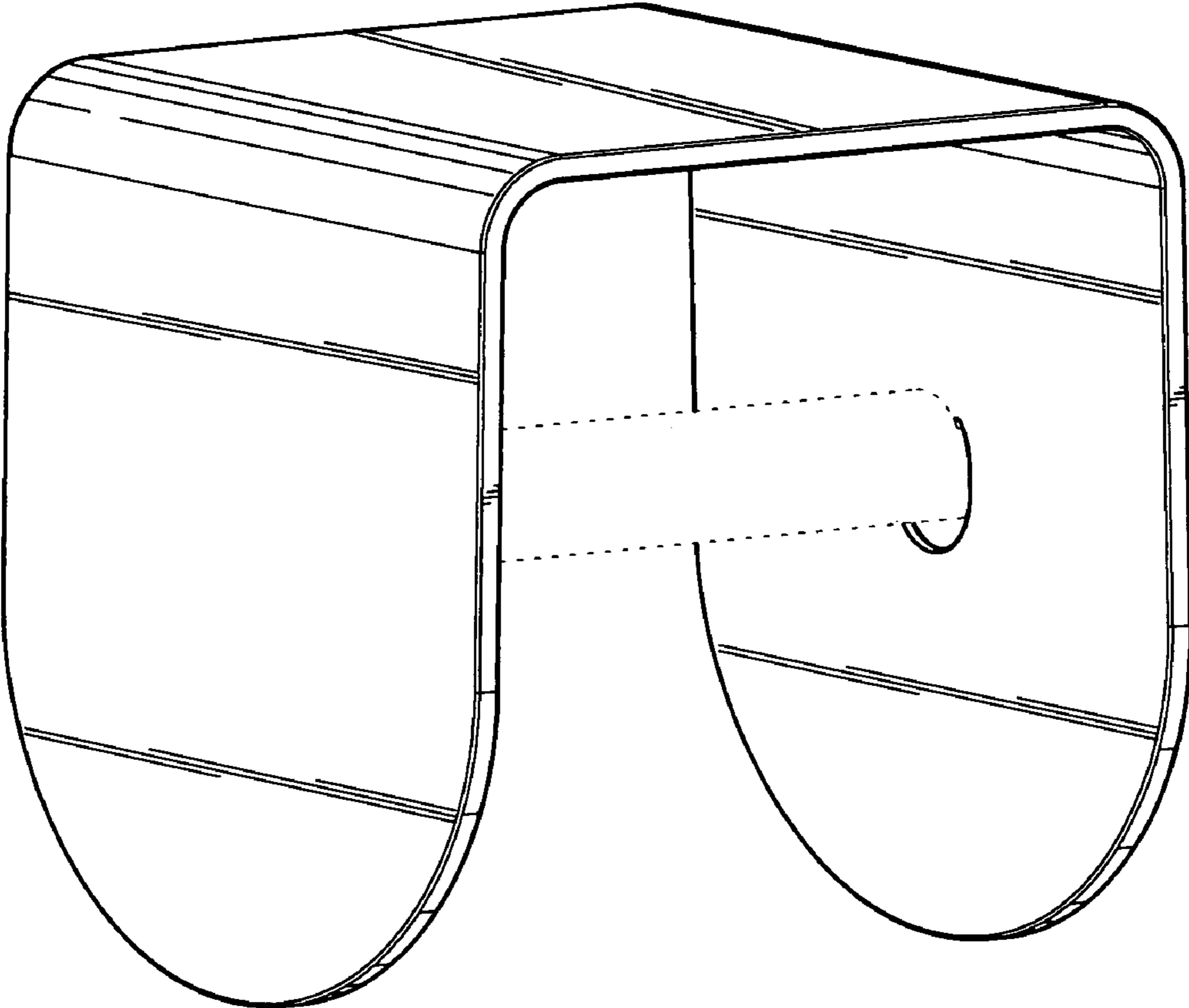


FIG. 1

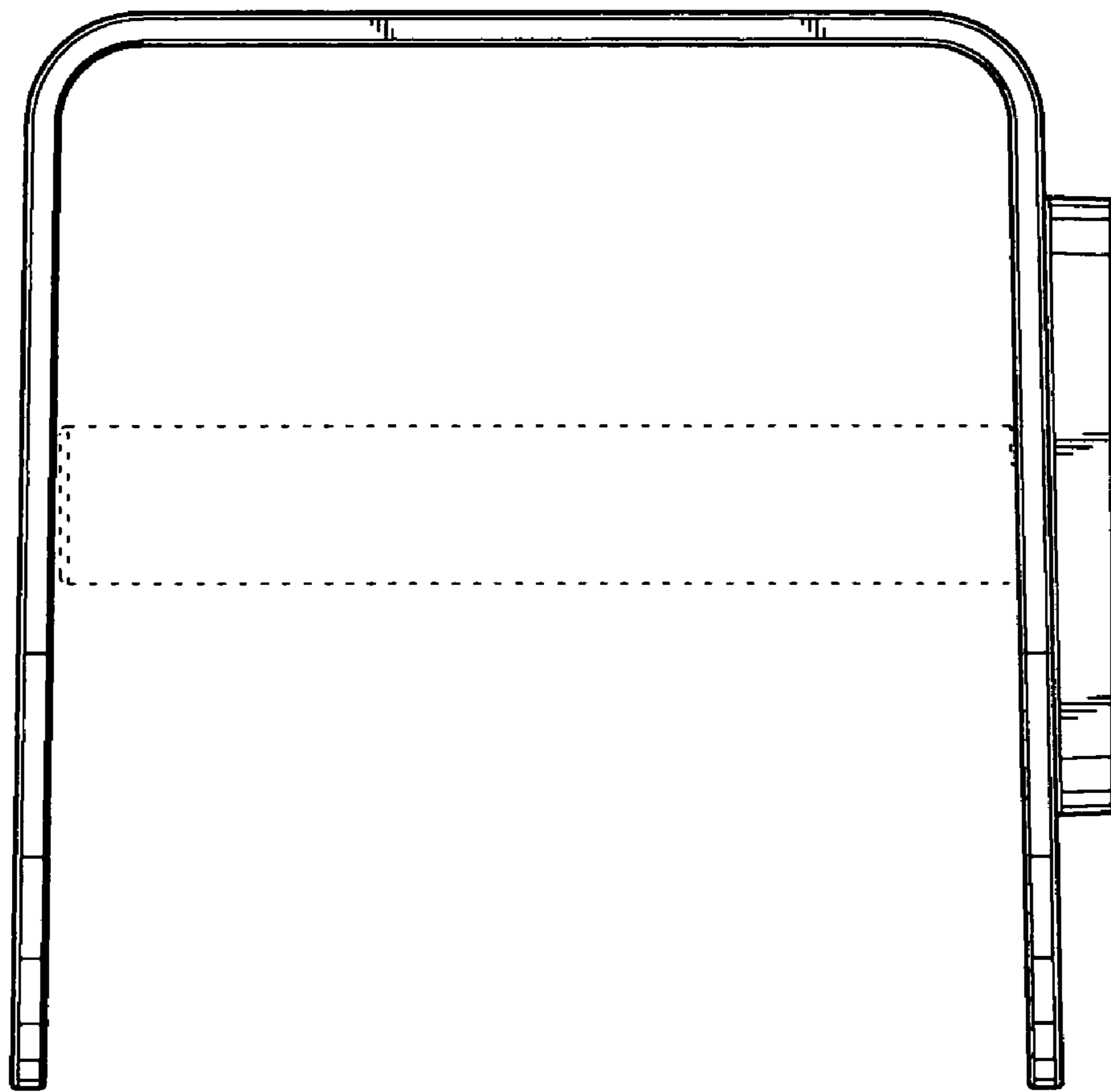


FIG. 2

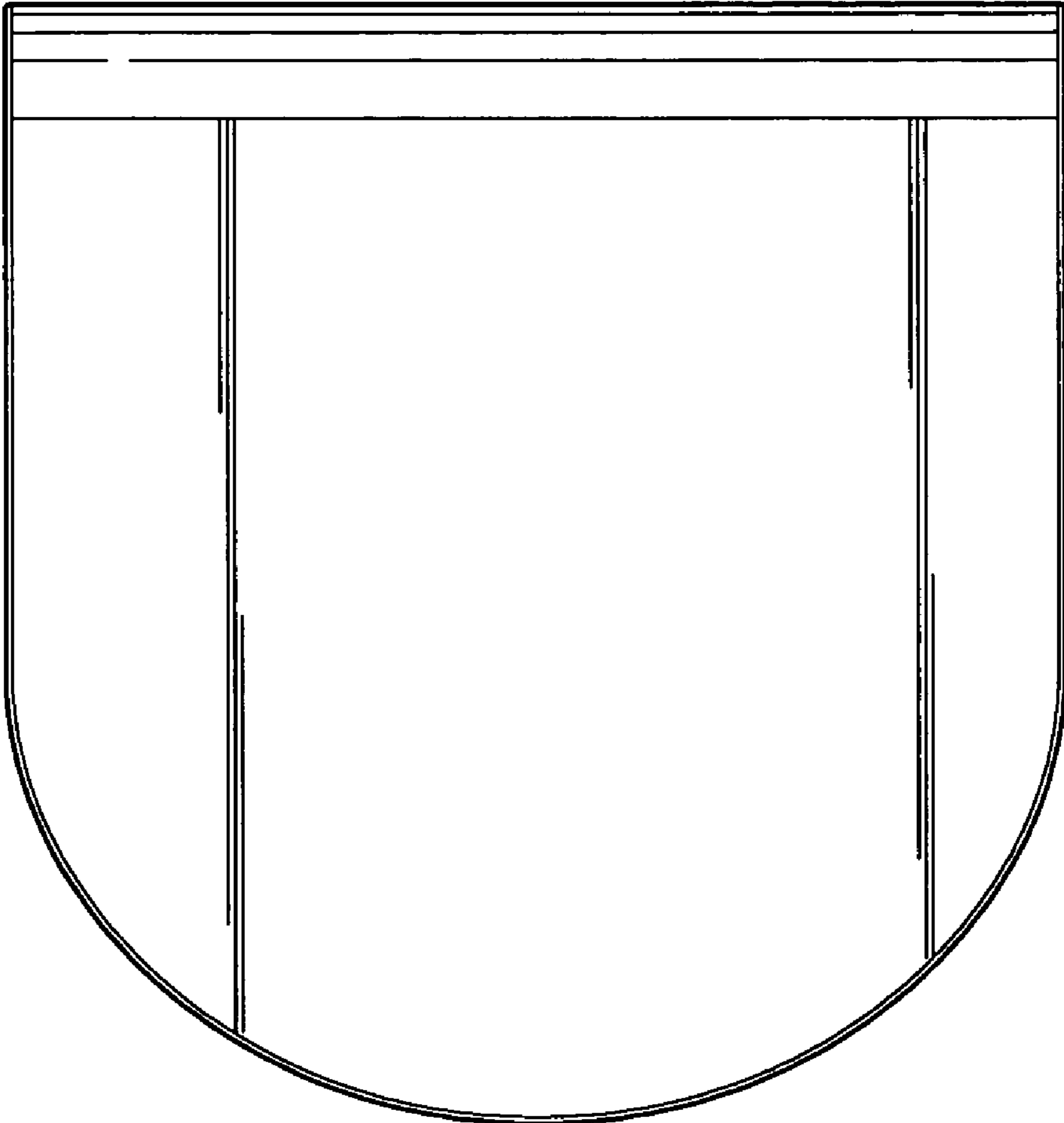


FIG. 3

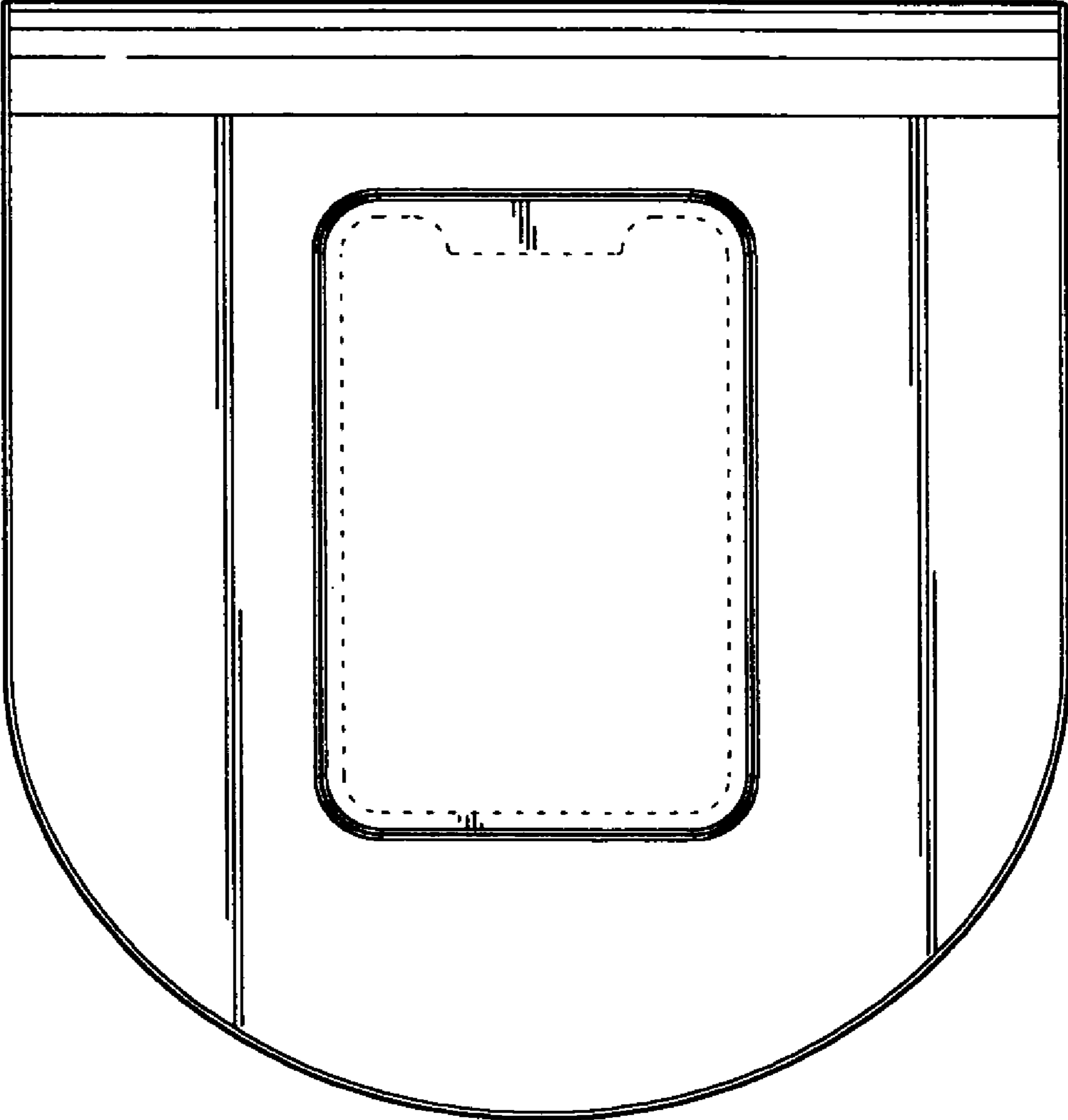


FIG. 4

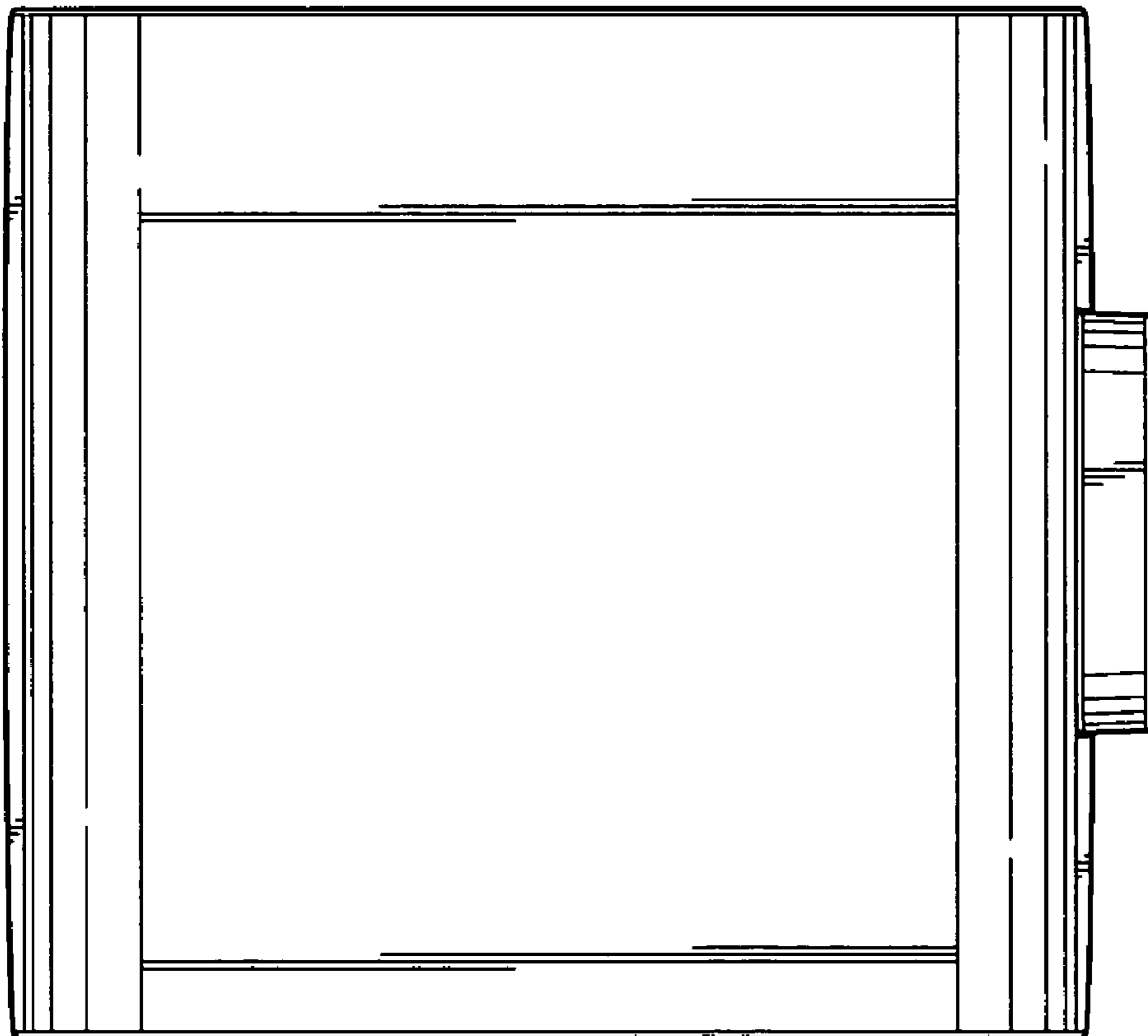


FIG. 5

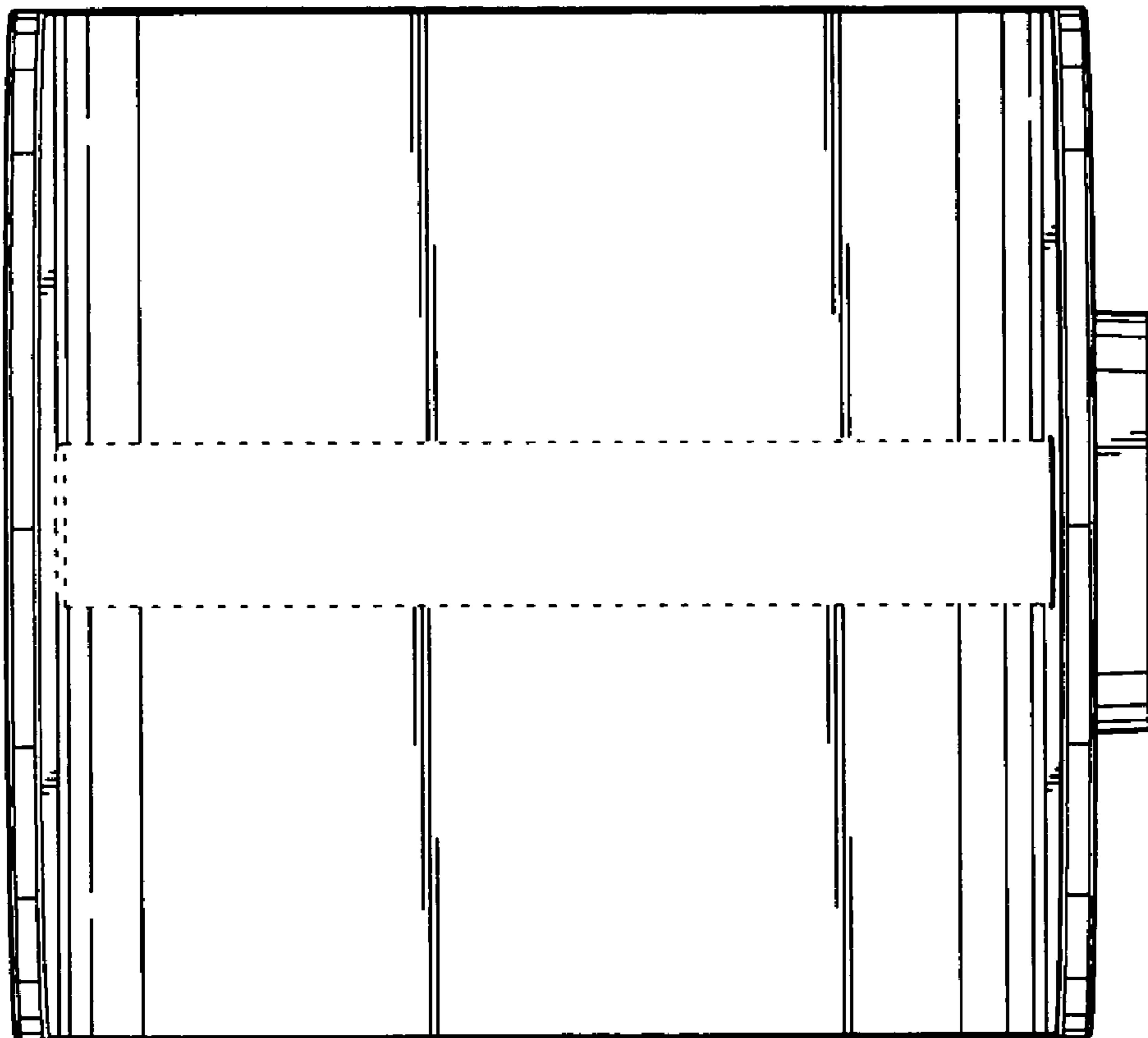


FIG. 6