



US00D617585S

(12) **United States Design Patent**  
**Sprinkle**

(10) **Patent No.:** **US D617,585 S**

(45) **Date of Patent:** **\*\* \*Jun. 15, 2010**

(54) **STADIUM SEAT STABILIZER**

(76) Inventor: **Daniel Sprinkle**, 4024 N. 150 E.,  
Rushville, IN (US) 46173

(\*) Notice: This patent is subject to a terminal disclaimer.

(\*\*) Term: **14 Years**

(21) Appl. No.: **29/327,131**

(22) Filed: **Oct. 31, 2008**

(51) **LOC (9) Cl.** ..... **06-04**

(52) **U.S. Cl.** ..... **D6/495; D6/500**

(58) **Field of Classification Search** ..... D6/334–336,  
D6/355, 371–373, 381, 491, 495, 500–502;  
297/228.12, 232, 252, 352, 378.1, 463.2;  
5/653; 108/147; 280/14.1, 602, 845; D8/354,  
D8/374; D21/760, 769; 248/425, 429  
See application file for complete search history.

(56) **References Cited**

**U.S. PATENT DOCUMENTS**

2,211,374	A *	8/1940	Fuss	.....	108/147
3,155,427	A *	11/1964	Necessary	.....	297/252
3,310,341	A *	3/1967	Connell	.....	297/252
4,715,652	A *	12/1987	Ward	.....	297/252
4,871,209	A *	10/1989	Handelman	.....	297/378.1
5,533,219	A *	7/1996	Meyers	.....	5/653
D408,067	S *	4/1999	McGarry	.....	D21/760
5,984,360	A *	11/1999	Edwards et al.	.....	280/845
6,352,306	B1 *	3/2002	Dreiling	.....	297/252
D460,681	S *	7/2002	Edwards	.....	D8/354

D569,230	S *	5/2008	Terada et al.	.....	D8/354
D586,201	S *	2/2009	Day	.....	D8/354
2004/0145152	A1 *	7/2004	Santa Cruz et al.	.....	280/602

\* cited by examiner

*Primary Examiner*—Mimosa De  
(74) *Attorney, Agent, or Firm*—C. John Brannon; Brannon & Associates PC

(57) **CLAIM**

The ornamental design for a stadium seat stabilizer, as shown and described.

**DESCRIPTION**

FIG. 1 is a top perspective view of a stadium seat stabilizer showing my new design.

FIG. 2 is a bottom perspective view of the embodiment of the stadium seat stabilizer shown in FIG. 1.

FIG. 3 is a top plan view of the embodiment of the stadium seat stabilizer shown in FIG. 1.

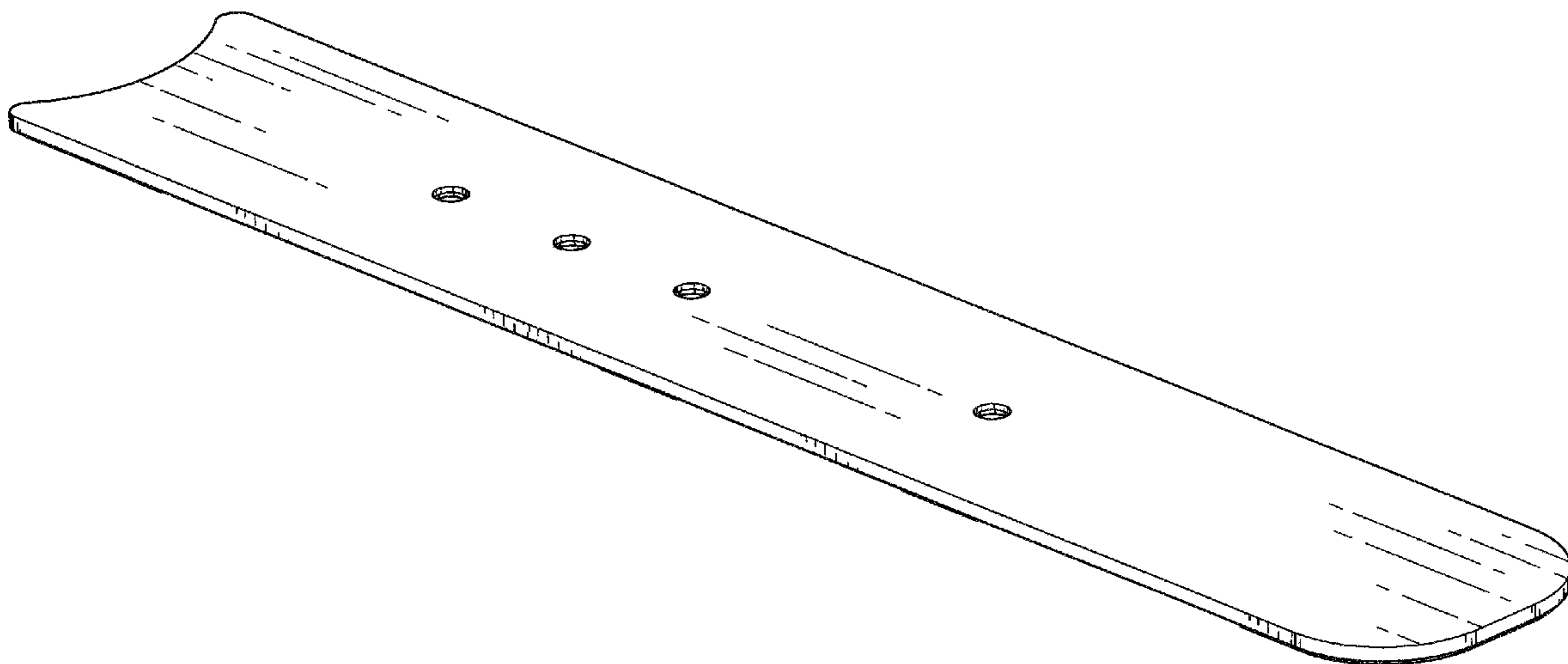
FIG. 4 is a side elevation view of the embodiment of the stadium seat stabilizer as seen from the right side of FIG. 3, the opposed view being the mirror image thereof.

FIG. 5 is a bottom plan view of the embodiment of the stadium seat stabilizer shown in FIG. 1.

FIG. 6 is a front elevation view of the embodiment of the stadium seat stabilizer shown in FIG. 1; and,

FIG. 7 is a rear elevation view of the embodiment of the stadium seat stabilizer shown in FIG. 1.

**1 Claim, 4 Drawing Sheets**



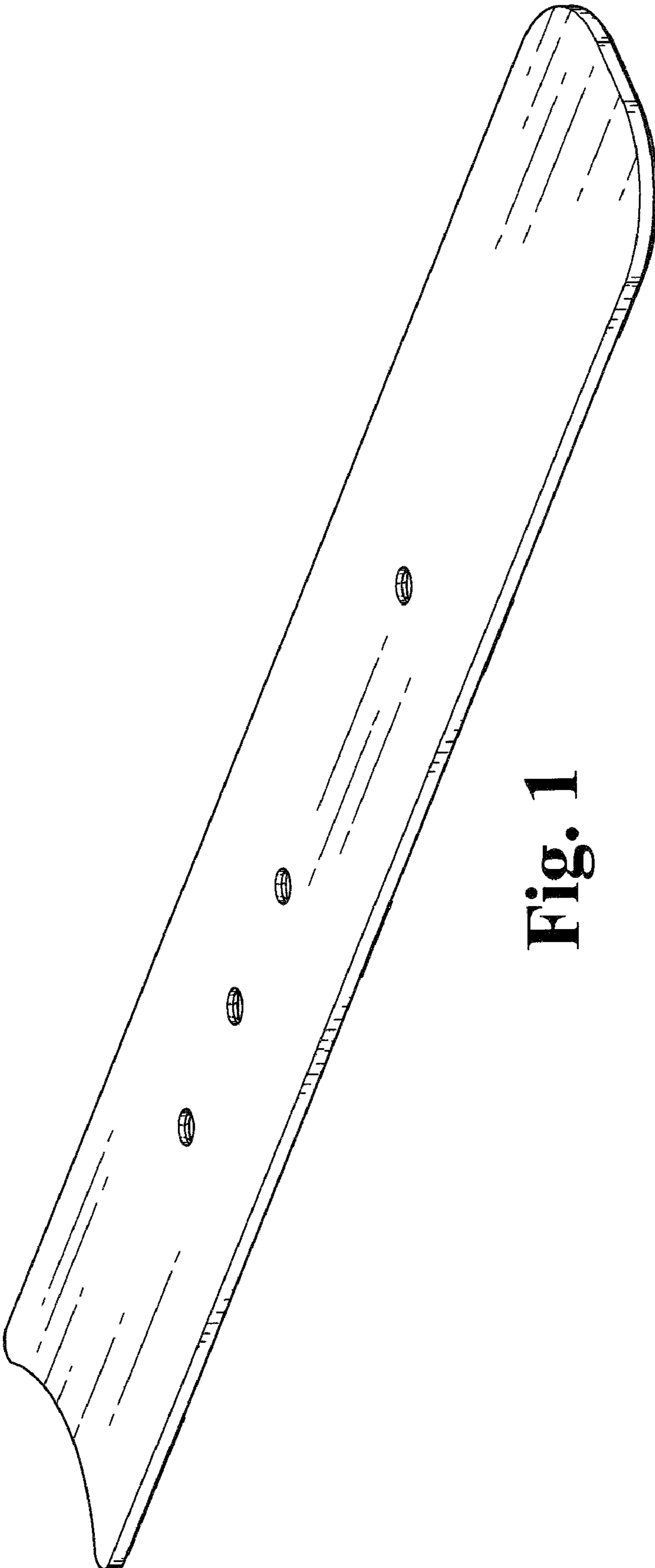
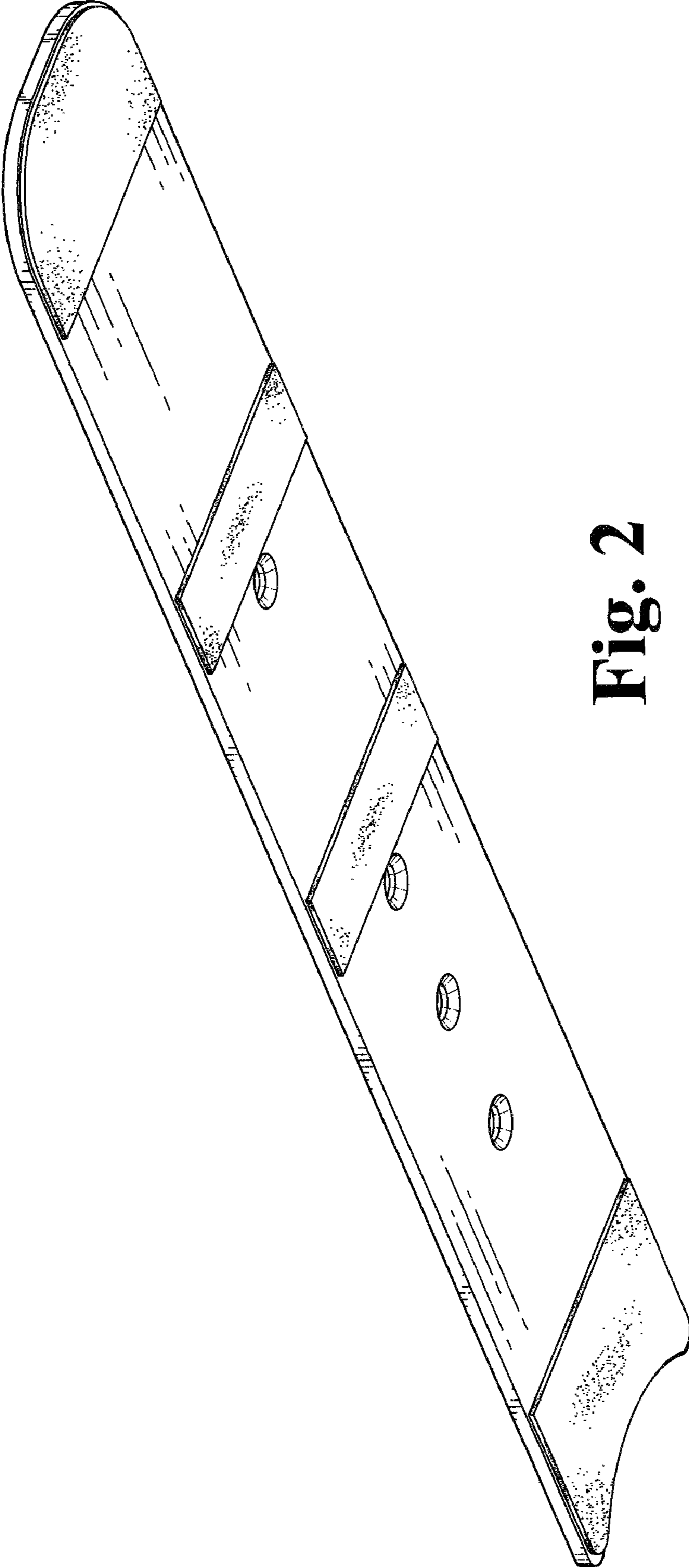
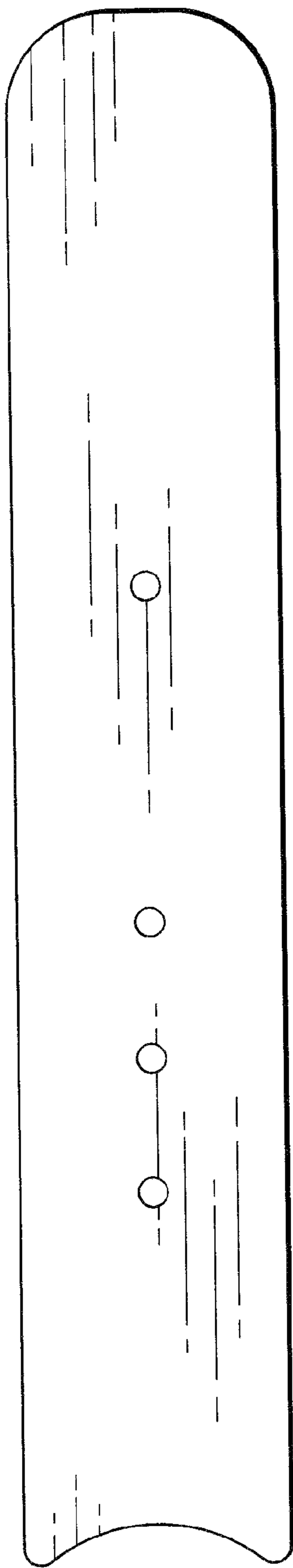


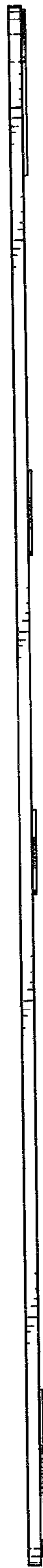
Fig. 1



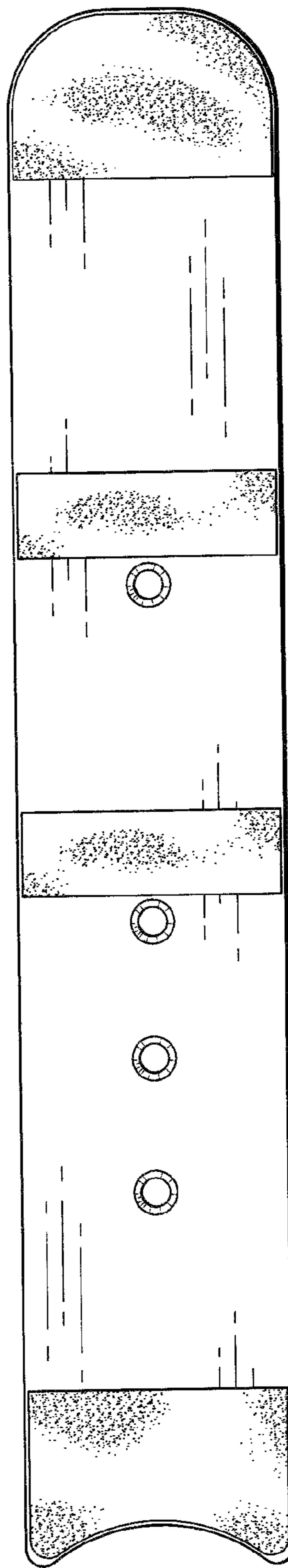
**Fig. 2**



**Fig. 3**



**Fig. 4**



**Fig. 5**



**Fig. 6**



**Fig. 7**