



US00D617584S

(12) **United States Design Patent**
Miller et al.

(10) **Patent No.:** **US D617,584 S**
(45) **Date of Patent:** **** Jun. 15, 2010**

(54) **DECORATIVE CORNER JOINT**

D424,840 S * 5/2000 Newhouse D6/484

(75) Inventors: **Jeffrey Miller**, New York, NY (US);
Yoshihisa Konishi, Glen Rock, NJ (US)

* cited by examiner

Primary Examiner—Janice E Seeger

(73) Assignee: **Itoki Design Corporation**, New York,
NY (US)

(74) *Attorney, Agent, or Firm*—Chernow Katz LLC

(**) Term: **14 Years**

(57) **CLAIM**

The ornamental design for a decorative corner joint, as shown and described.

(21) Appl. No.: **29/343,108**

(22) Filed: **Sep. 8, 2009**

DESCRIPTION

(51) **LOC (9) Cl.** **06-03**

FIG. 1 is a perspective view of the present invention;

(52) **U.S. Cl.** **D6/491**

FIG. 2 is a top view of the present invention;

(58) **Field of Classification Search** D6/480–489,
D6/495–499, 511, 429–431; 108/150, 153.1,
108/155, 156, 157.1, 161, 27; 248/188, 188.1,
248/188.8, 345.1; D8/403; 52/287.1

FIG. 3 is a first side view of the present invention;

FIG. 4 is an opposite side view of the present invention;

FIG. 5 is bottom view of the present invention;

FIG. 6 is a front view of the present invention;

See application file for complete search history.

FIG. 7 is a perspective view of the present invention showing the invention in the environment of a table; and,

FIG. 8 is an enlarged perspective view of a portion of FIG. 7 showing the present invention in the environment of a table.

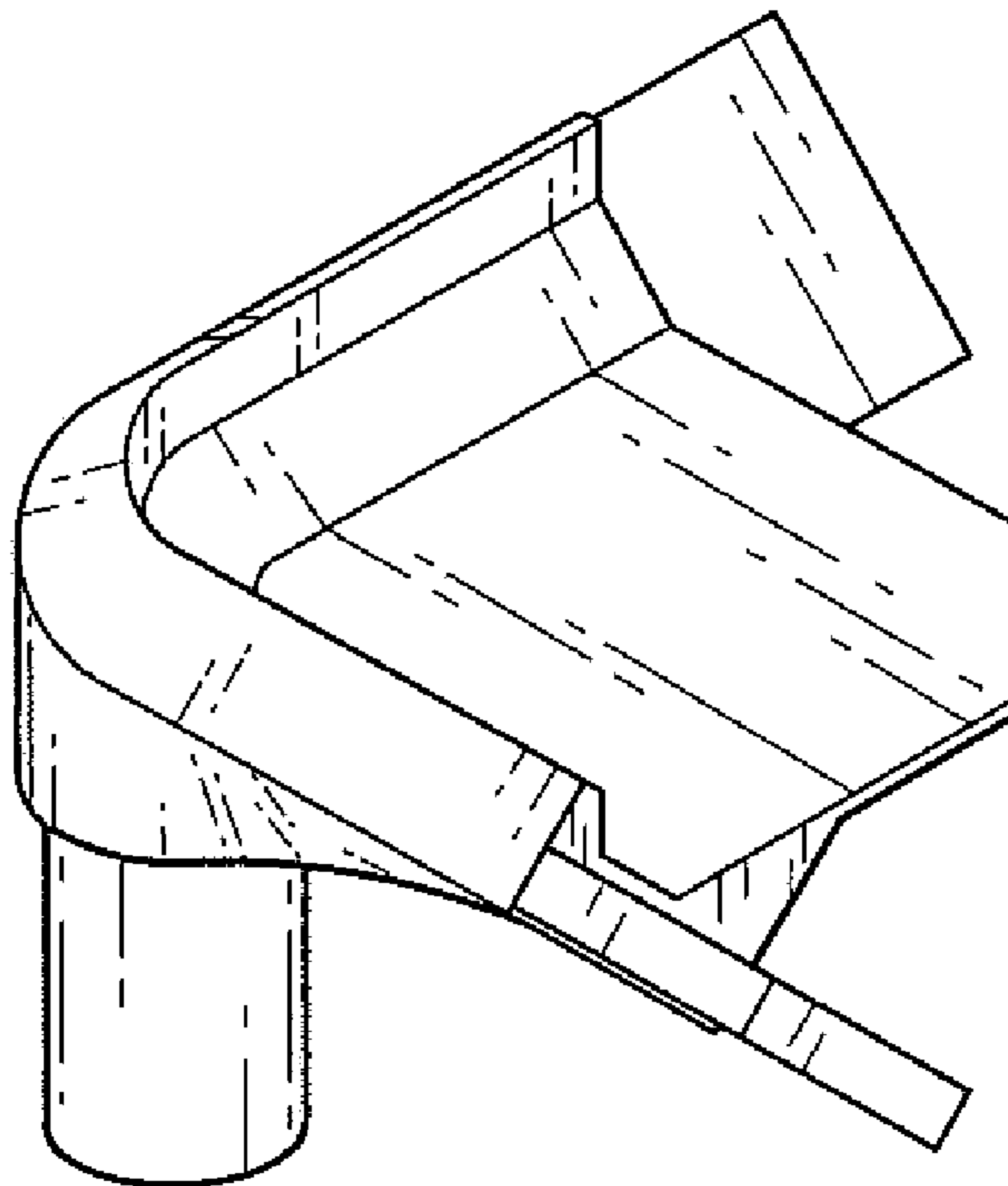
The broken lines are for environmental purposes only and form no part of the claimed design.

(56) **References Cited**

U.S. PATENT DOCUMENTS

- D168,430 S * 12/1952 Wright D6/429
- 5,615,530 A * 4/1997 Kartler 52/745.09
- 5,809,901 A * 9/1998 Gutzmer 108/27

1 Claim, 3 Drawing Sheets



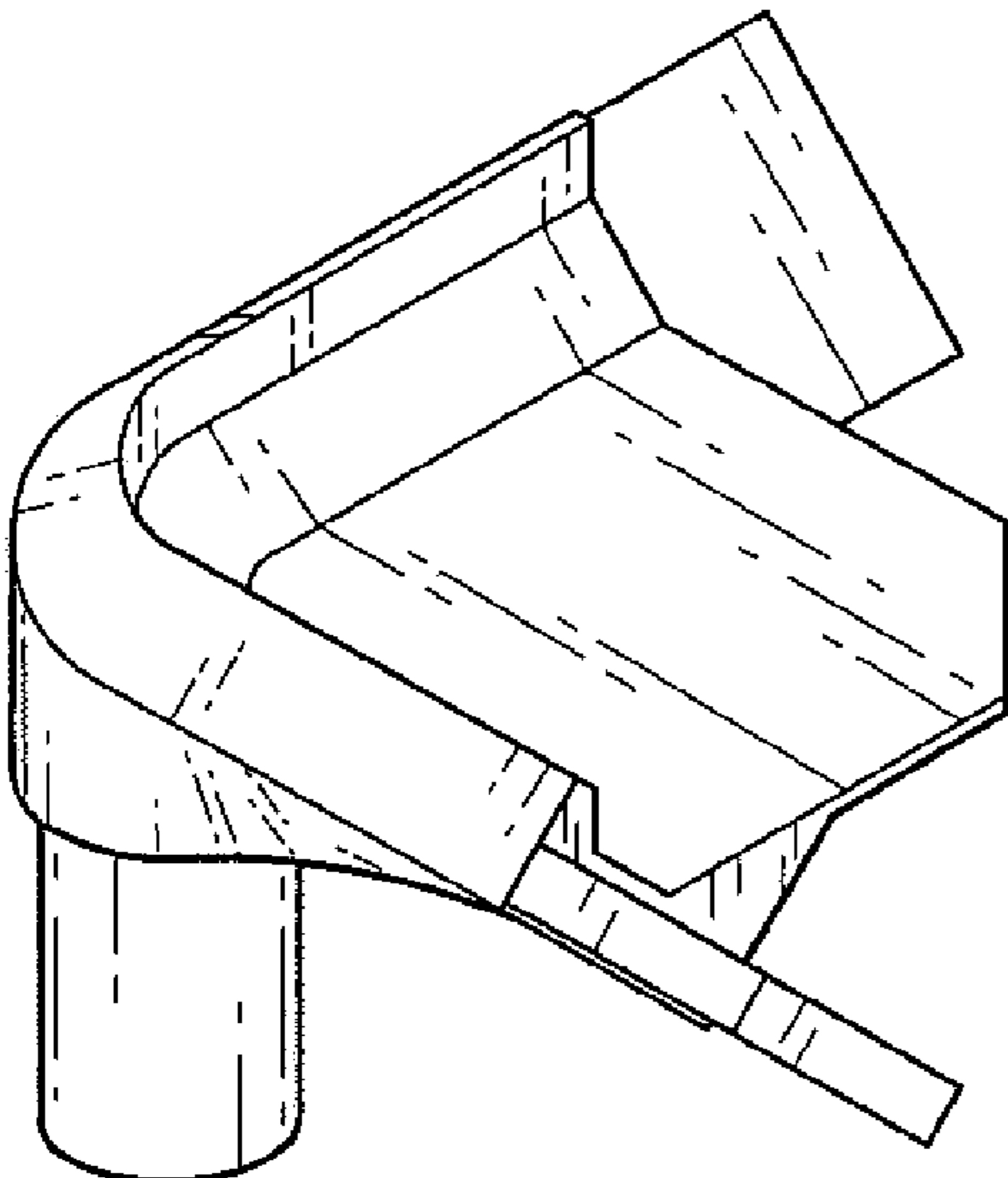


FIG. 1

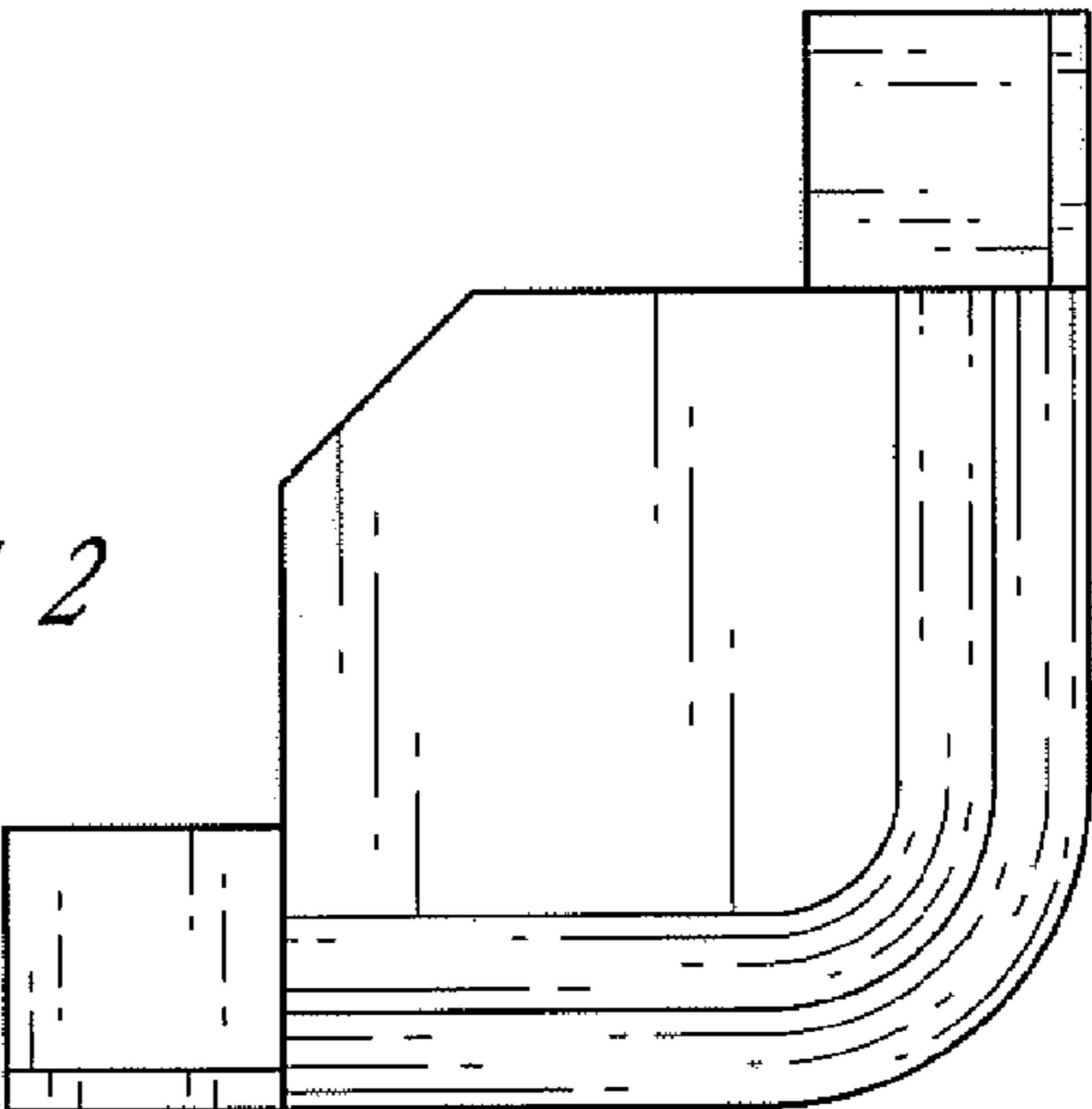


FIG. 2

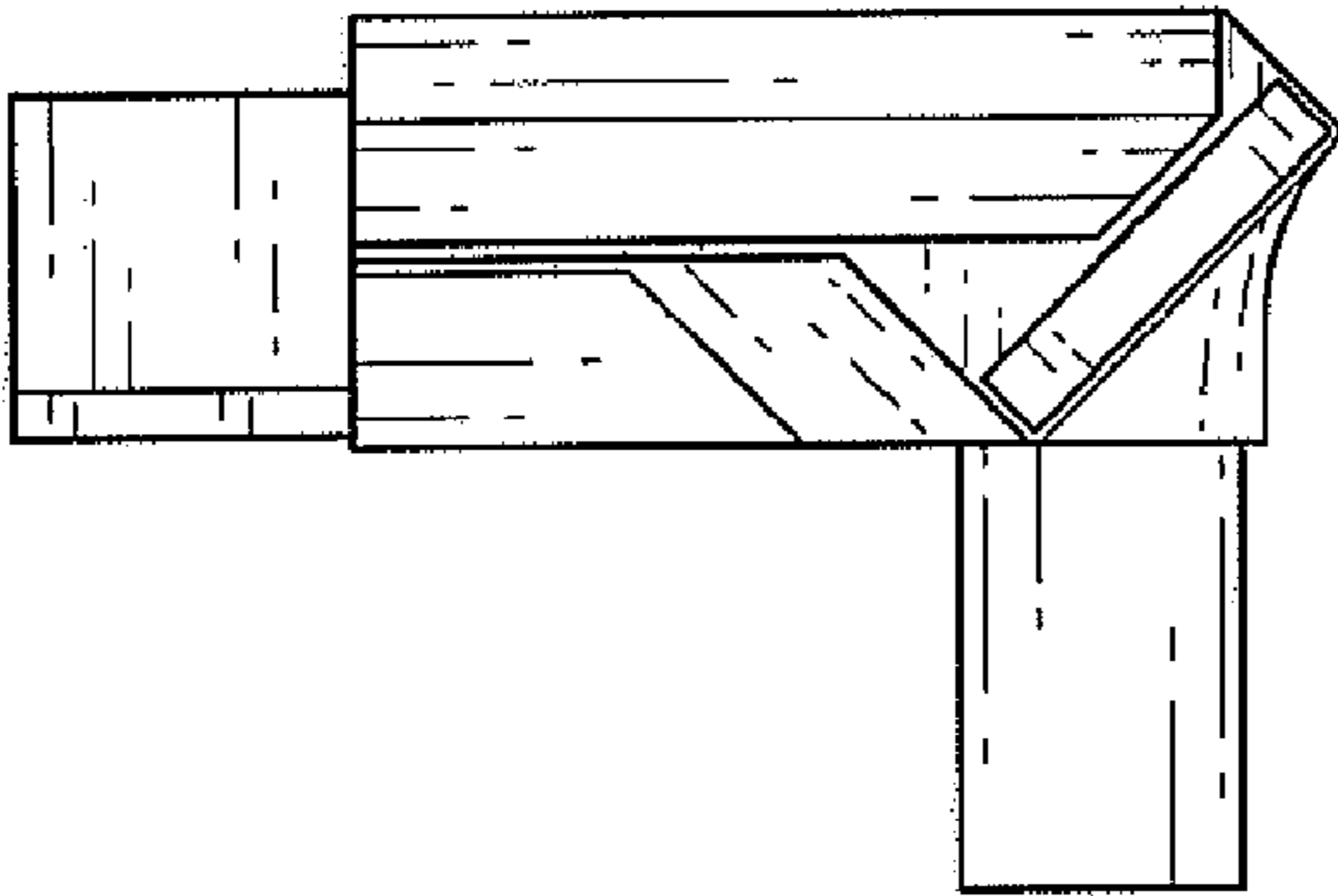


FIG. 3

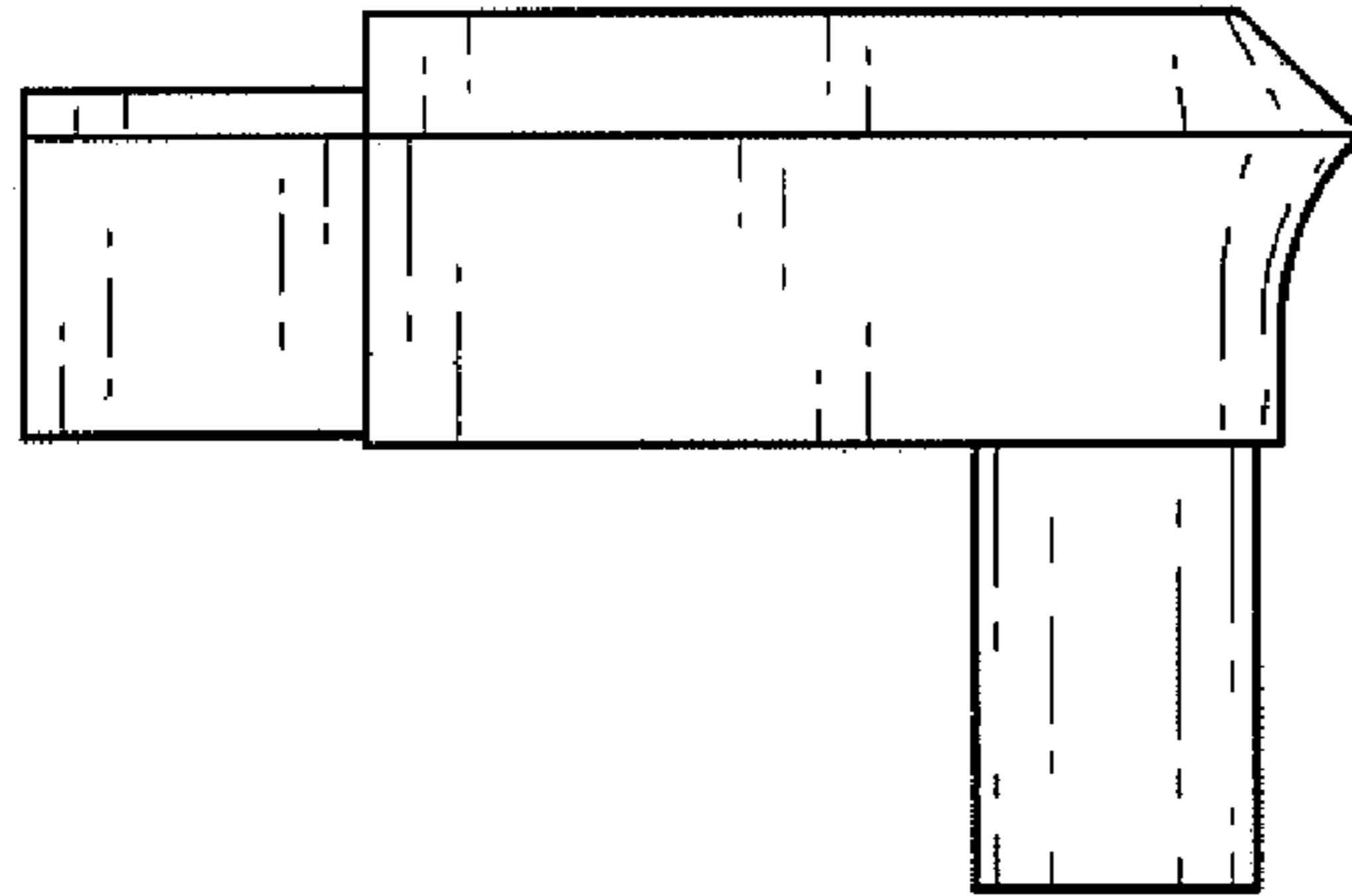


FIG. 4

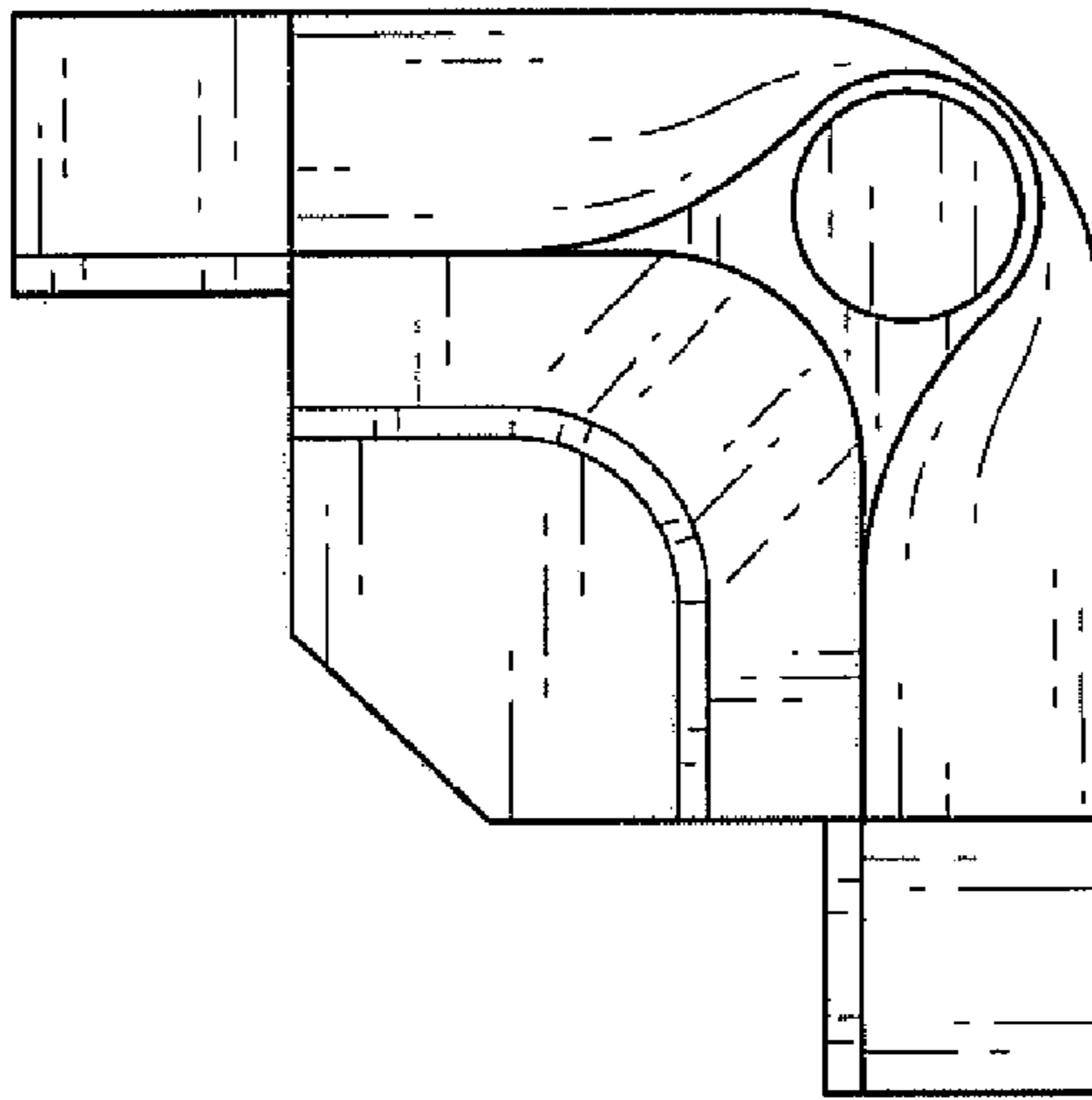


FIG. 5

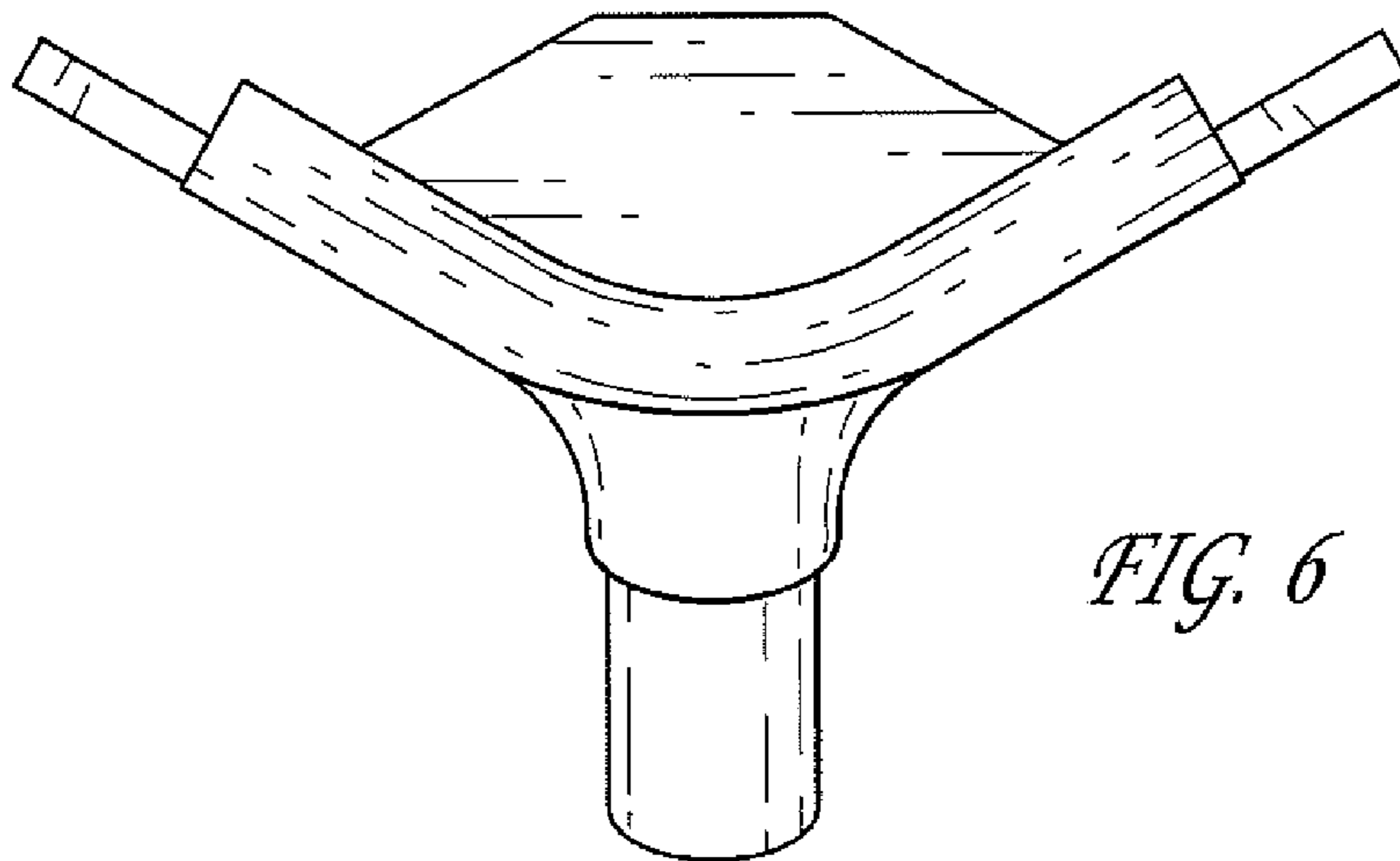


FIG. 6

