



US00D617582S

(12) **United States Design Patent**
Zalewski

(10) **Patent No.:** **US D617,582 S**
(45) **Date of Patent:** **** Jun. 15, 2010**

- (54) **SUPPORTING BASE**
- (75) Inventor: **Kevin Zalewski**, Rochester Hills, MI (US)
- (73) Assignee: **Target Brands, Inc.**, Minneapolis, MN (US)
- (**) Term: **14 Years**
- (21) Appl. No.: **29/333,917**
- (22) Filed: **Mar. 17, 2009**
- (51) **LOC (9) Cl.** **06-06**
- (52) **U.S. Cl.** **D6/491**
- (58) **Field of Classification Search** D6/449, D6/480, 485, 495, 503, 382-384, 397, 491, D6/555, 511, 477-479, 509; D25/65; 108/51.3, 108/57.16, 57.17, 57.18, 57.21; 248/188, 248/188.1, 188.2, 188.4, 346.01, 346.03, 248/346.06; 312/242, 140, 265.5, 265.6, 312/194, 195; 5/200.1, 236.1

See application file for complete search history.

(56) **References Cited**

U.S. PATENT DOCUMENTS

- 2,121,190 A 6/1938 Fellowes
- 2,299,766 A 10/1942 Rosenthal
- 3,279,873 A 10/1966 Gronquist
- 3,468,591 A 9/1969 Wodli
- 3,655,065 A 4/1972 Yellin
- 3,874,753 A 4/1975 Naito et al.
- 3,885,845 A 5/1975 Krieks
- 3,975,877 A 8/1976 Walton
- 4,050,604 A 9/1977 Flanders
- D268,796 S * 5/1983 Kola D6/349
- 4,448,463 A 5/1984 Amos
- 4,704,313 A 11/1987 Maier
- 4,717,214 A 1/1988 Moore et al.
- 5,147,120 A 9/1992 Ray
- 5,176,435 A 1/1993 Pipkens
- 5,464,295 A 11/1995 Daillot
- 5,466,058 A 11/1995 Chan
- 5,477,594 A 12/1995 LePage

- 5,486,041 A 1/1996 Sykes
- 5,647,649 A 7/1997 Kao
- 5,716,116 A 2/1998 Carlson et al.
- 5,775,046 A 7/1998 Fanger et al.
- D396,566 S * 8/1998 Albrecht D6/349
- 5,921,646 A 7/1999 Hwang
- 5,941,616 A 8/1999 Billingham
- 6,113,203 A 9/2000 Chen
- D437,706 S 2/2001 Alcala et al.
- D460,887 S * 7/2002 Palka D6/511
- 6,488,346 B2 12/2002 Chen
- 6,508,021 B2 1/2003 Ong
- 6,557,955 B2 5/2003 Saravis
- 6,820,950 B1 11/2004 Sun
- D503,864 S * 4/2005 DiFanti D6/491
- RE38,836 E 10/2005 Krause et al.
- 7,048,346 B2 5/2006 Saravis
- D527,926 S * 9/2006 Domack et al. D6/393
- 7,231,740 B2 6/2007 Jirele
- D568,649 S * 5/2008 Morris et al. D6/511
- D582,168 S * 12/2008 Sandel D6/349
- 2002/0185941 A1 12/2002 Ferraro et al.
- 2003/0193274 A1 10/2003 Saravis
- 2003/0222545 A1 12/2003 Stravitz
- 2004/0164653 A1 8/2004 Winkless
- 2004/0217677 A1 11/2004 Durand et al.
- 2005/0006991 A1 1/2005 Saravis
- 2005/0077805 A1 4/2005 Dalebout et al.
- 2005/0104483 A1 5/2005 Saravis
- 2006/0250052 A1 11/2006 Davis et al.

FOREIGN PATENT DOCUMENTS

- DE 4313330 9/1994
- GB 2355672 5/2001
- WO 8700406 1/1987
- WO 9920153 4/1999

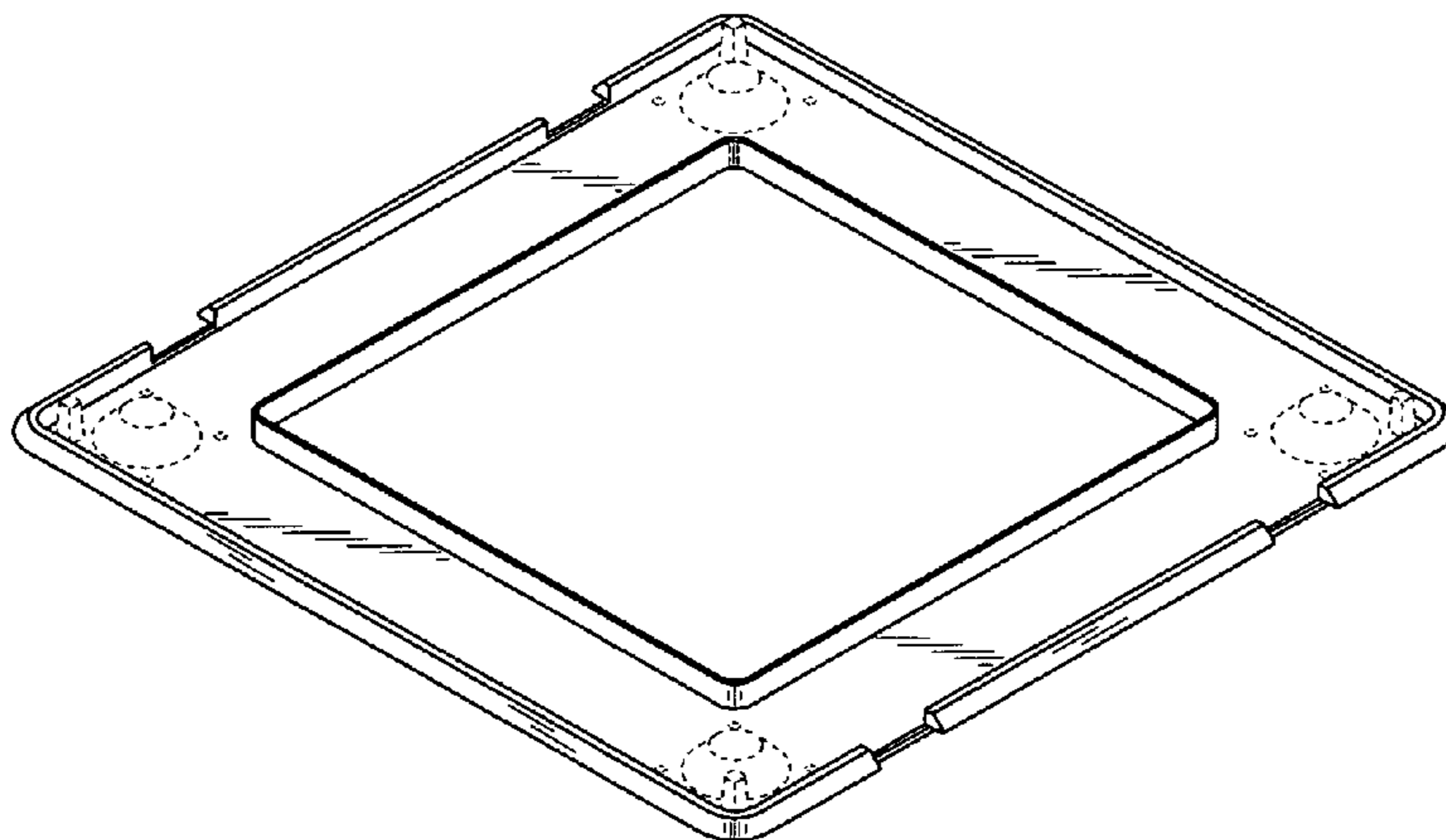
OTHER PUBLICATIONS

“iCube, my cube, my space™”, materials publicly provided in an offer to sell the associated product at least as early as Apr. 23, 2008, 22 pages.

Egan Visual, Inc., “Modular Storage . . . configured to your requirements,” 2004, 2 pages.

Egan Visual, Inc., “Finish Schedule,” Price and Specification Guide, Jul. 2002, 11 pages.

Egan Visual, Inc., “Finish Schedule,” Price and Specification Guide, Jul. 2002, 3 pages.



Egan Visual, Inc., "Mobile Task Carts & Lockers—Product Design Rationale," 2004, 2 pages.

Moduline Modular Aluminum Cabinets, "Moduline Pro-Series Combinations—Trailer Cabinets Organize With Style!—Modular Aluminum Storage Cabinets," printed from www.modulinecabinets.com in May 2006, 3 pages.

"elfa® Platinum Garage System," printed from www.organize.com in May 2006, 2 pages.

* cited by examiner

Primary Examiner—Caron Veynar

Assistant Examiner—Abraham Bahta

(74) *Attorney, Agent, or Firm*—Griffiths & Seaton PLLC

(57) **CLAIM**

The ornamental design for a supporting base, as shown and described.

DESCRIPTION

The present application is related to pending U.S. Utility patent application Ser. No. 11/851,165, entitled "Storage and Organization System and Components Thereof," filed Sep. 6, 2007; pending U.S. Design application Ser. No. 29/284,375, entitled "Storage Bin," filed Sep. 6, 2007; pending U.S. Design application Ser. No. 29/284,379, entitled "Lid Portion," filed Sep. 6, 2007; pending U.S. Design application Ser. No. 29/329,629, entitled "Storage Bin," filed Dec. 18, 2008; pending U.S. Provisional Application No. 61/160,977, entitled "Storage and Organization System and Connectivity of the Components Therein," filed Mar. 17, 2009; pending U.S. Provisional Application No. 61/161,019, entitled "Storage and Organization System With Stackable Shells," filed Mar. 17, 2009; pending U.S. Design application Ser. No. 29/333,915, entitled "Storage Unit and Storage Unit Portions," filed Mar. 17, 2009; pending U.S. Design application Ser. No. 29/333,916, entitled "Drawer and Door," filed Mar. 17, 2009; and pending U.S. Design application Ser. No. 29/333,918, entitled "Tray," filed Mar. 17, 2009; all of which are incorporated herein by reference.

FIG. 1 is a top perspective view of a supporting base, according to the invention;

FIG. 2 is a bottom perspective view thereof;

FIG. 3 is a top view thereof;

FIG. 4 is a bottom view thereof;

FIG. 5 is a front view thereof, the rear view being a mirror image of the front view; and

FIG. 6 is a right side view thereof; the left side view being a mirror image of the right side view.

FIG. 7 is a top perspective view of the supporting base of FIG. 1 with the addition of legs shown in broken lines, according to the invention;

FIG. 8 is a bottom perspective view thereof;

FIG. 9 is a top view thereof;

FIG. 10 is a bottom view thereof;

FIG. 11 is a front view thereof, the rear view being a mirror image of the front view; and

FIG. 12 is a right side view thereof; the left side view being a mirror image of the right side view.

FIG. 13 is a top perspective view of the supporting base of FIG. 1 with the addition of casters shown in broken lines, according to the invention;

FIG. 14 is a bottom perspective view thereof;

FIG. 15 is a top view thereof;

FIG. 16 is a bottom view thereof;

FIG. 17 is a front view thereof, the rear view being a mirror image of the front view; and,

FIG. 18 is a right side view thereof; the left side view being a mirror image of the right side view.

The broken lines shown in the figures are for illustrative purposes only and form no part of the claimed design.

1 Claim, 9 Drawing Sheets

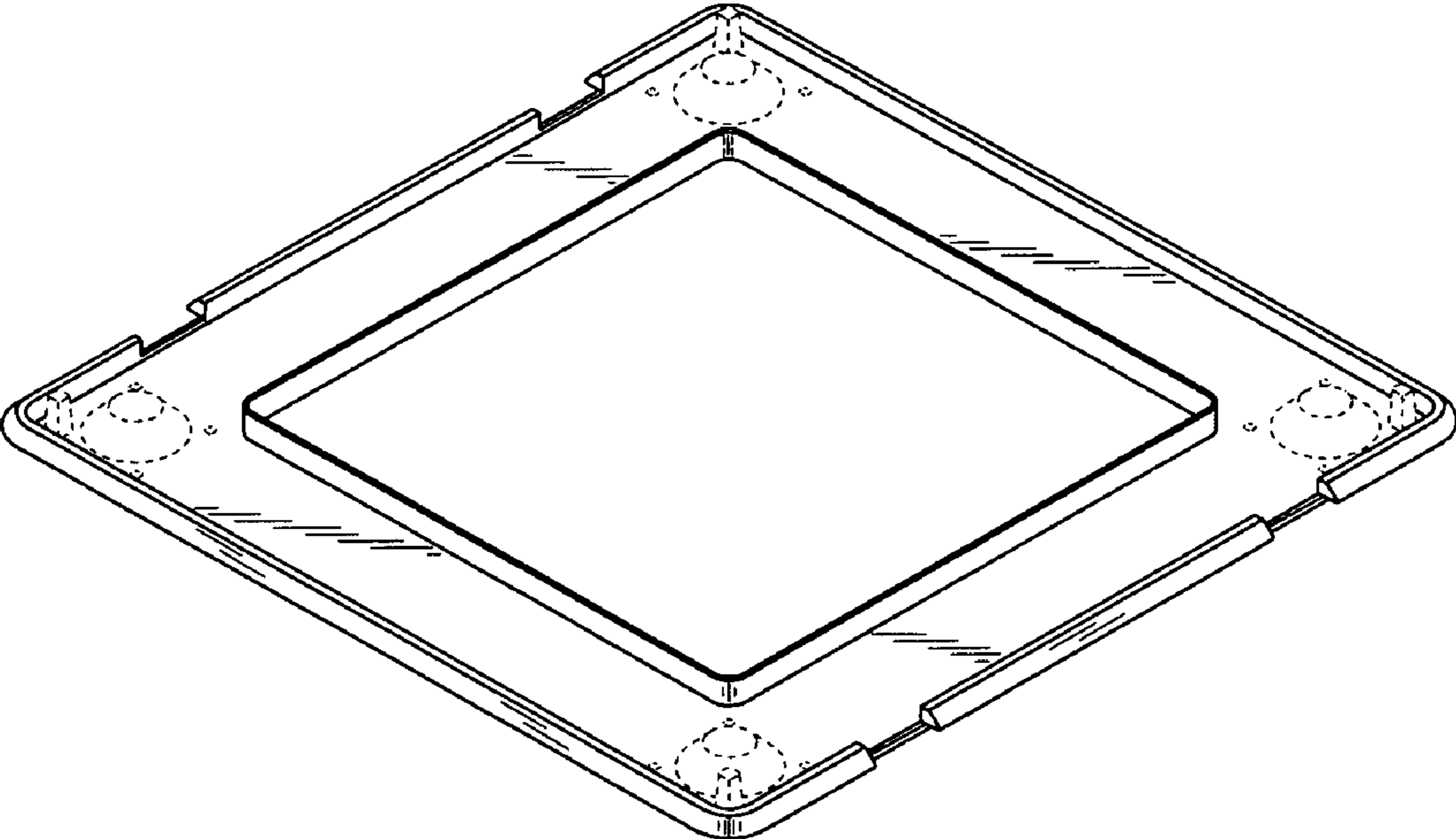


Fig. 1

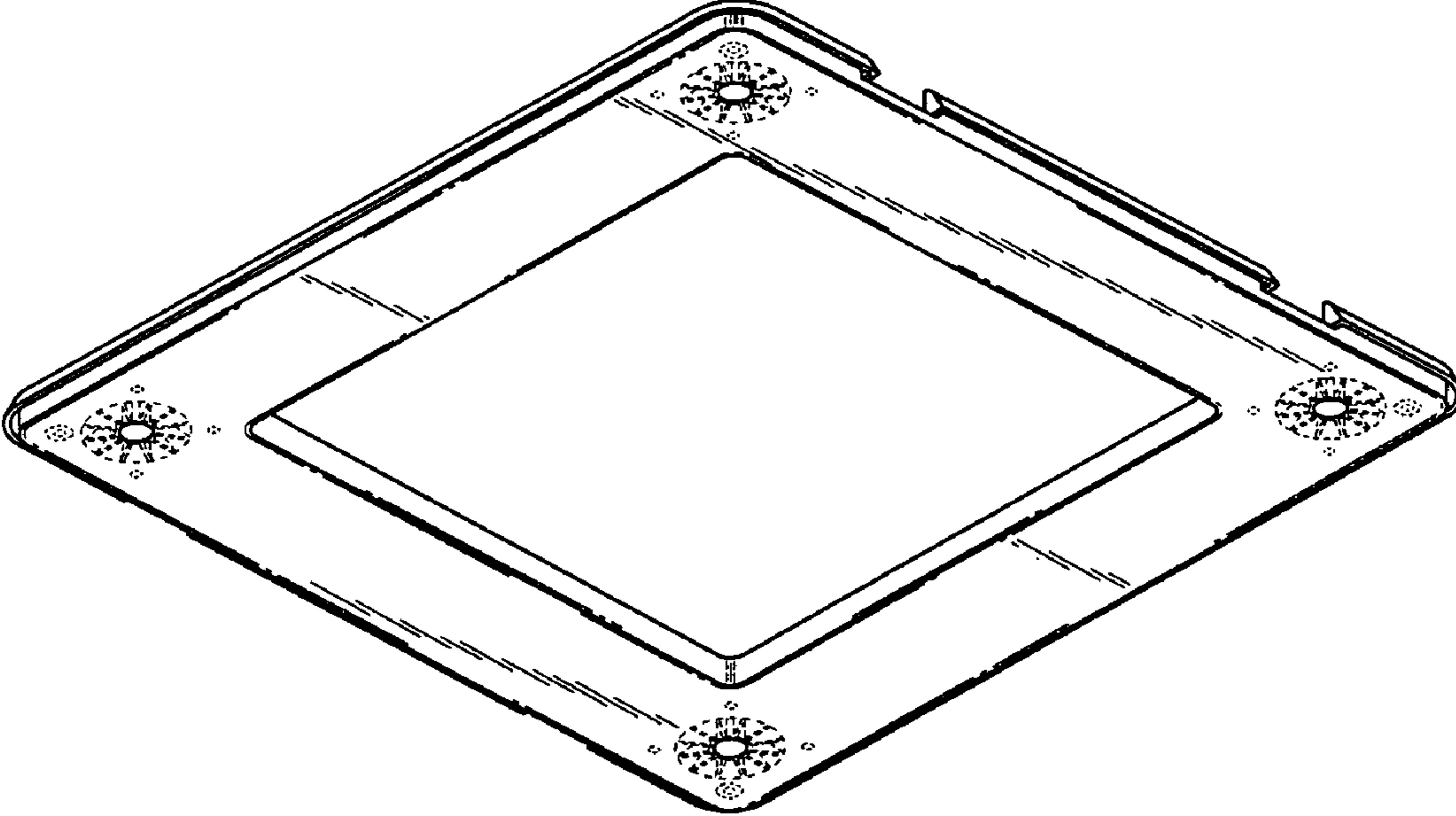


Fig. 2

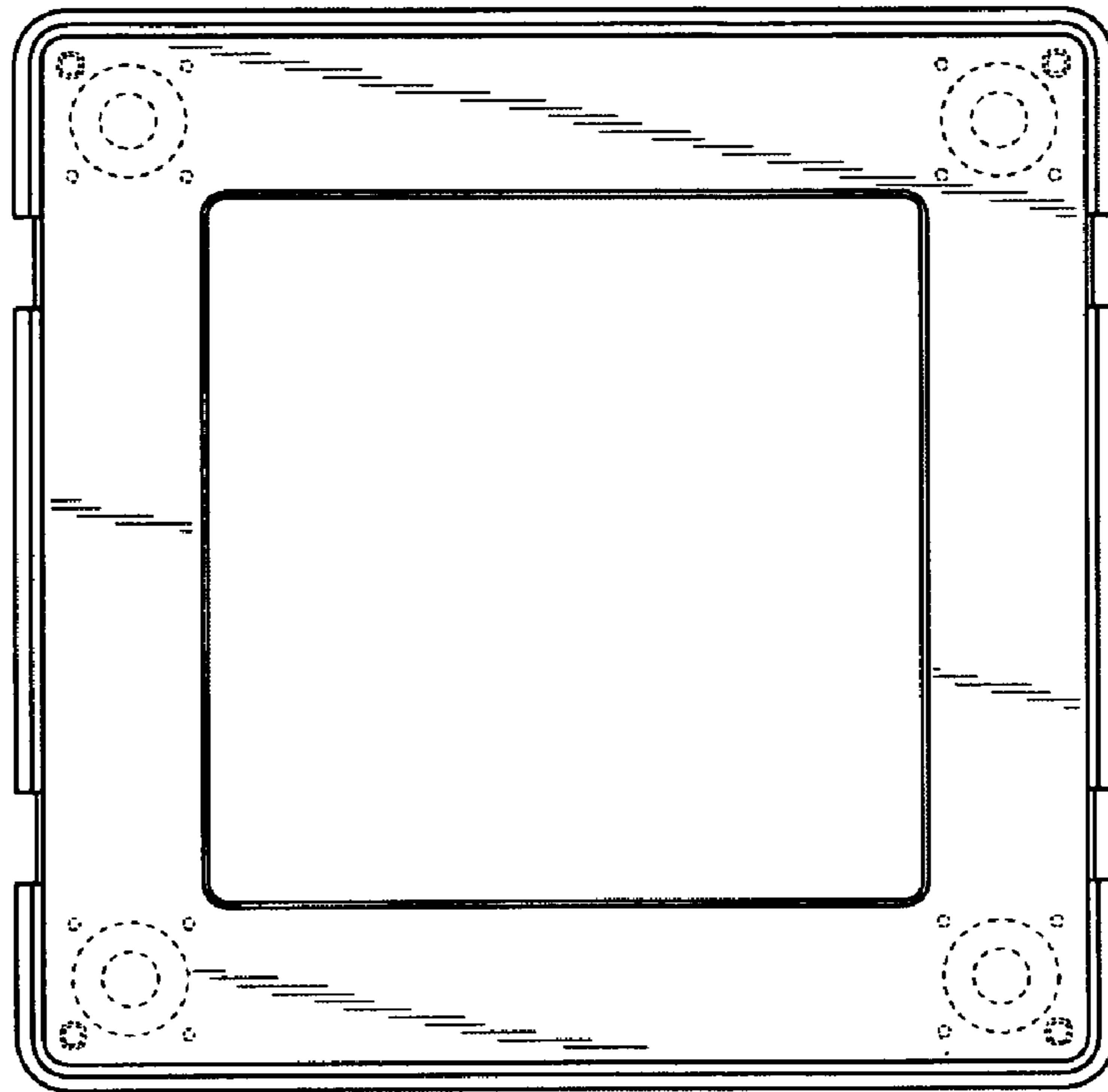


Fig. 3

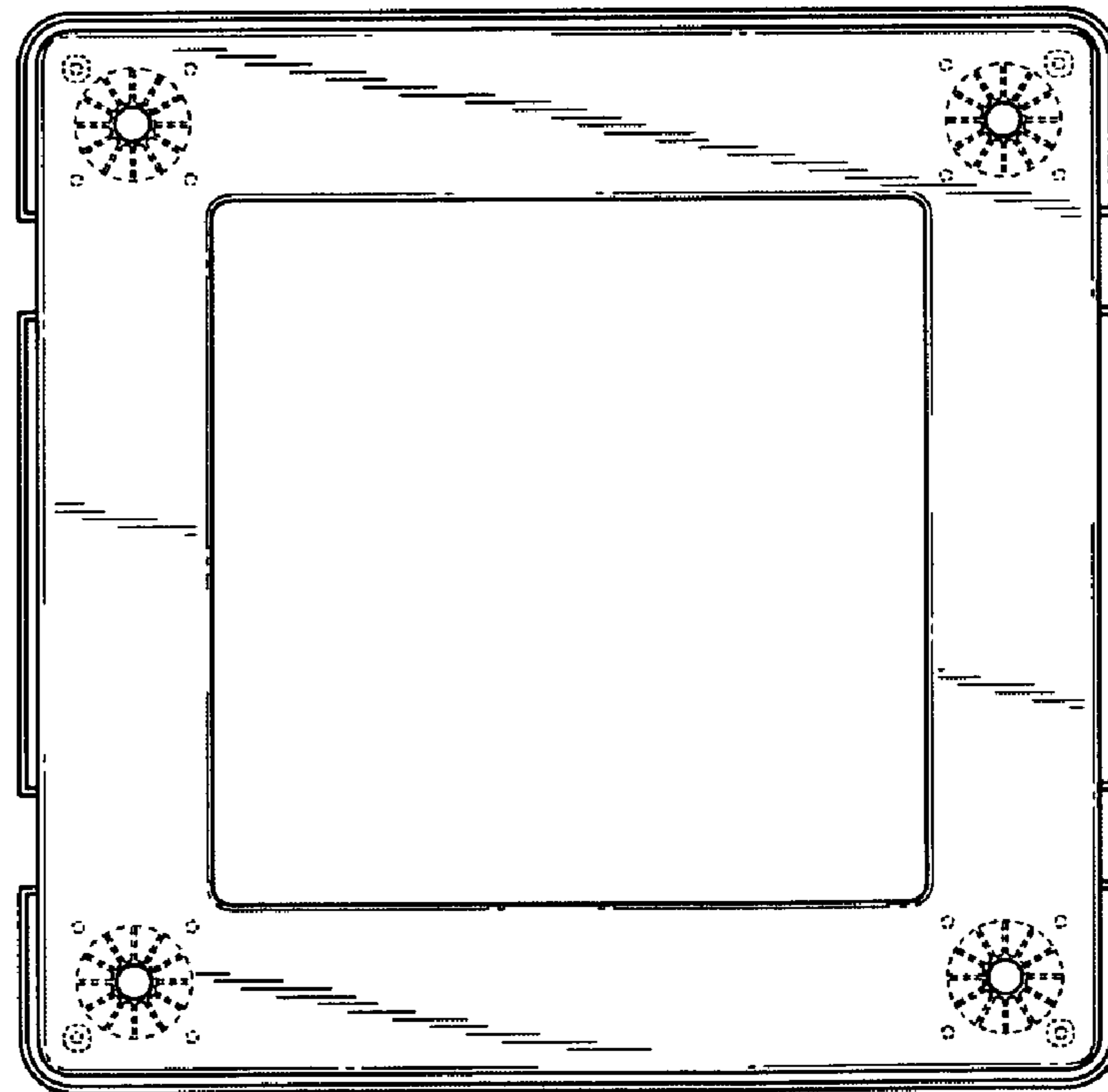


Fig. 4

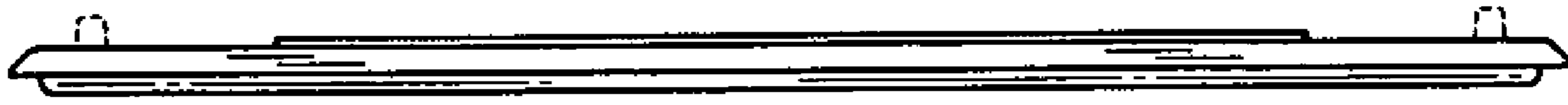


Fig. 5

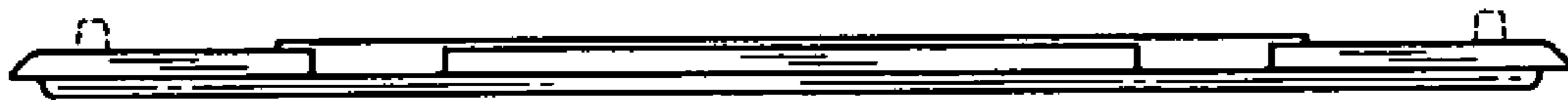


Fig. 6

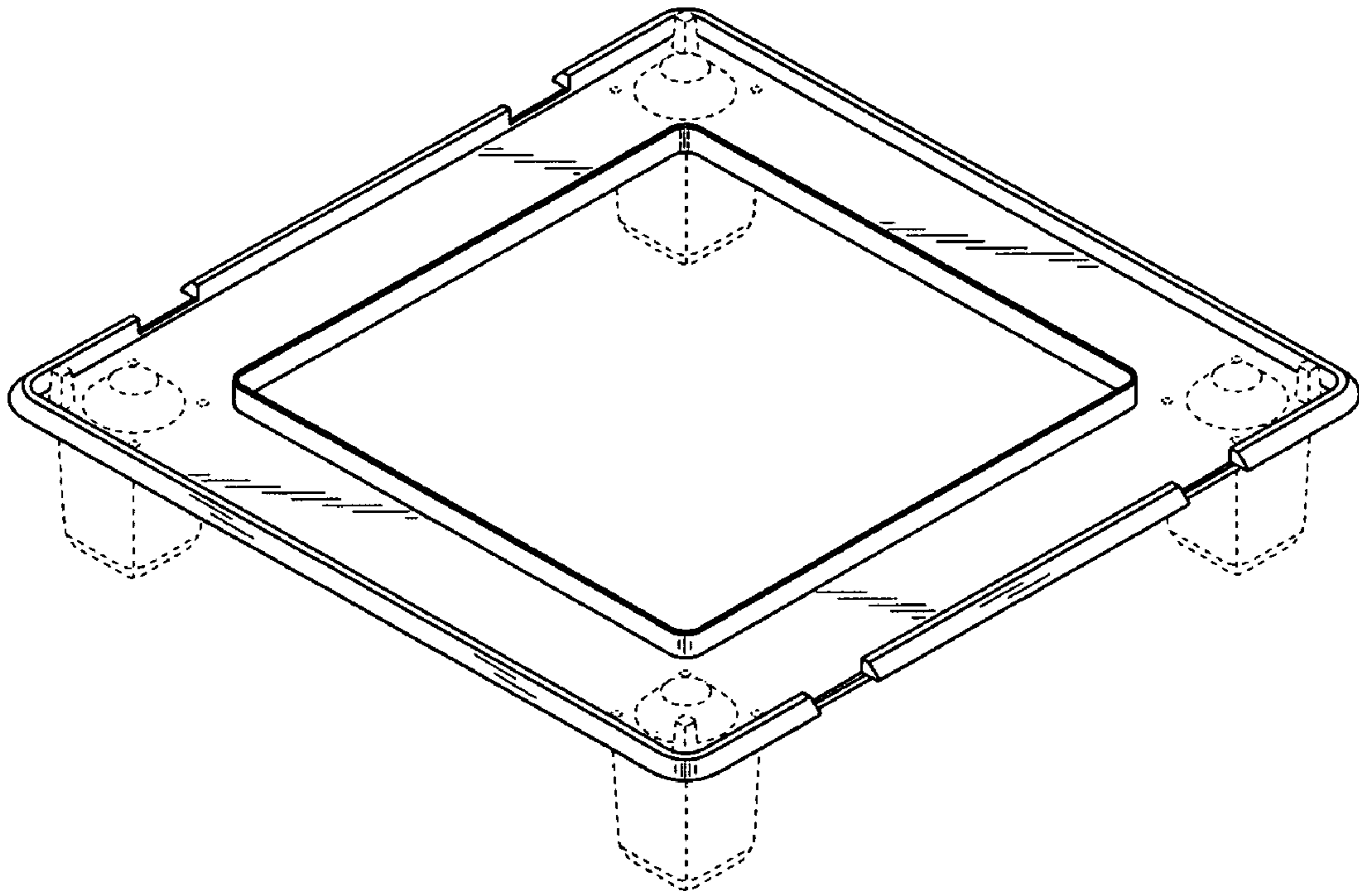


Fig. 7

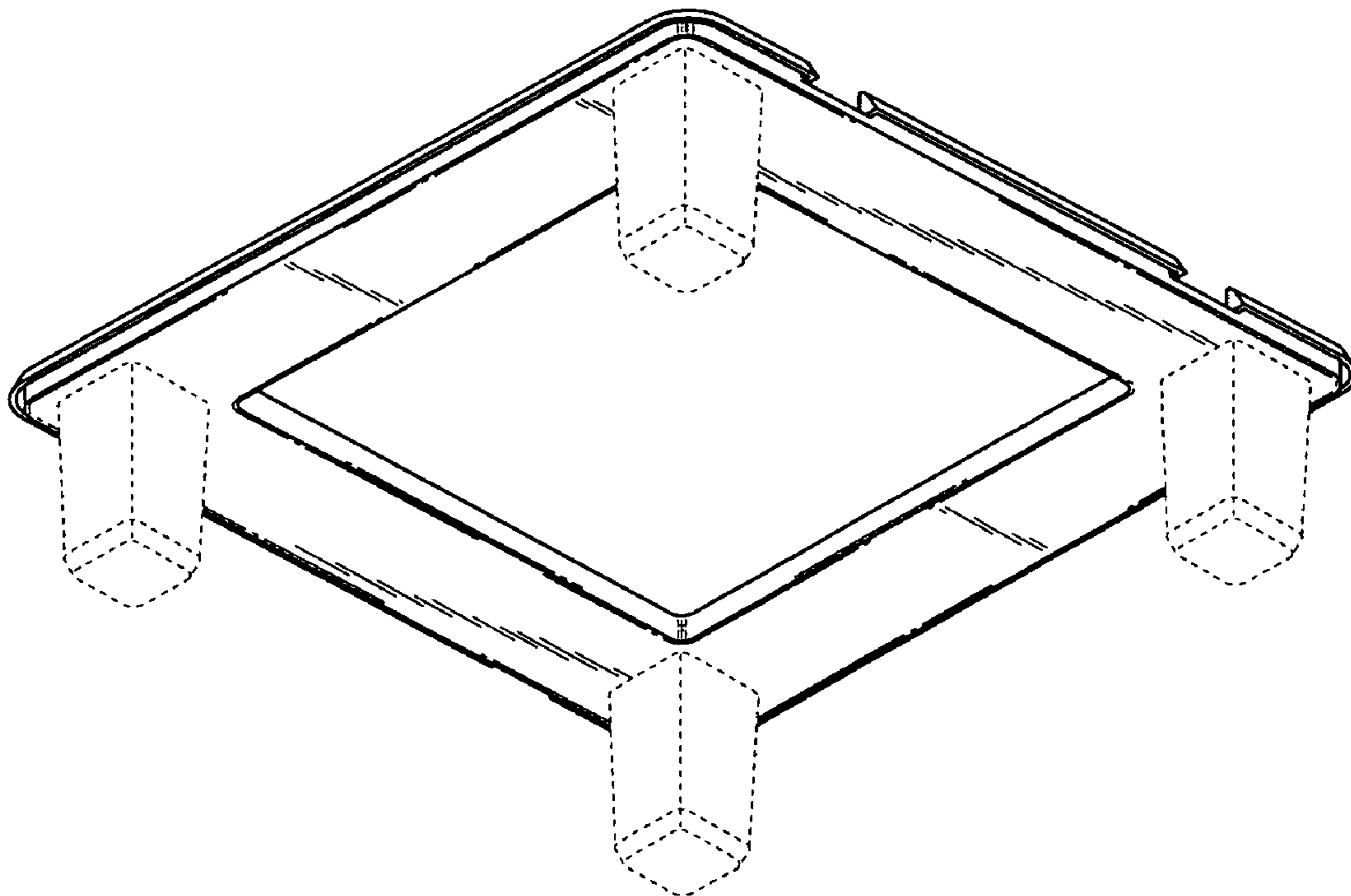


Fig. 8

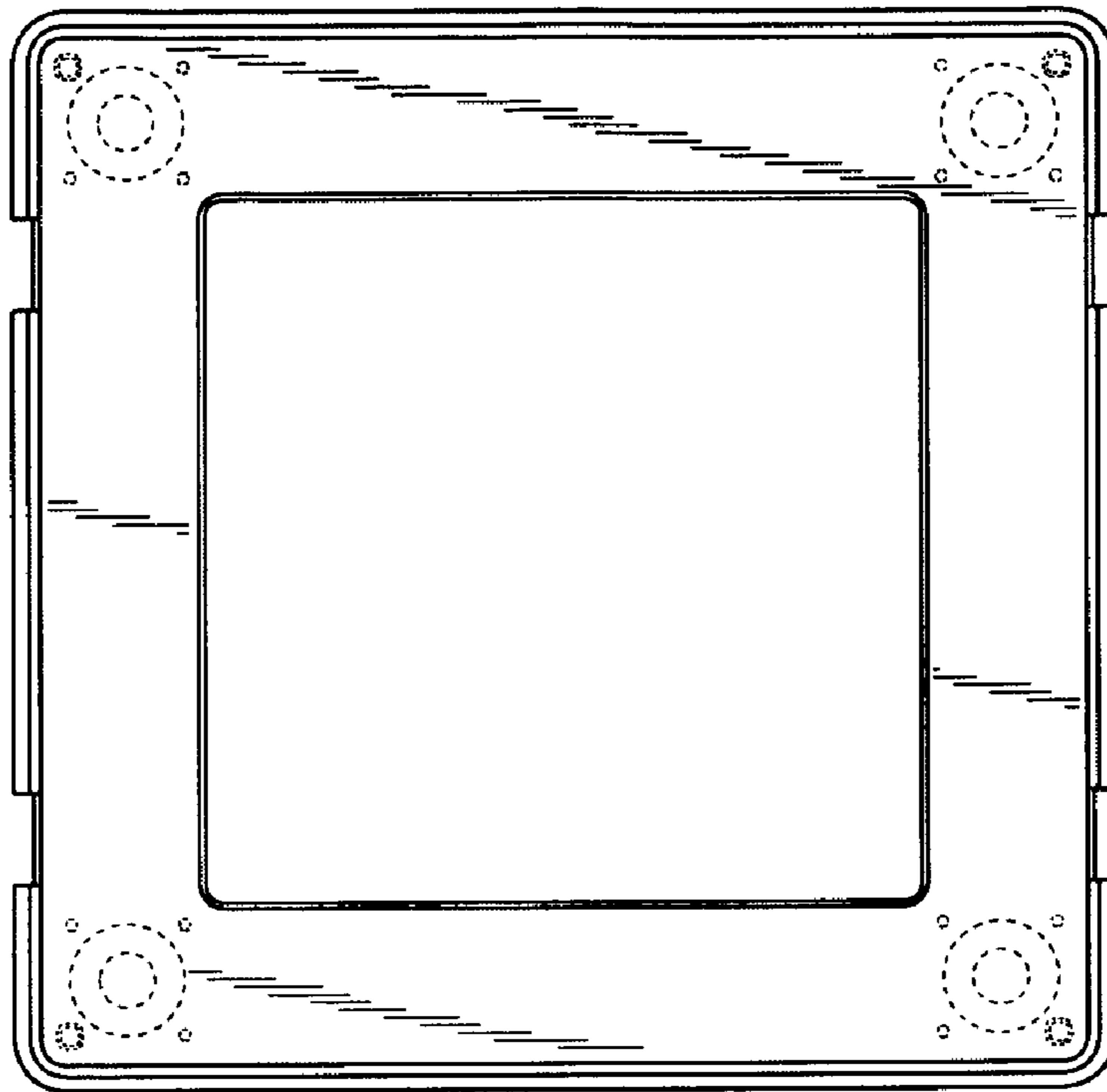


Fig. 9

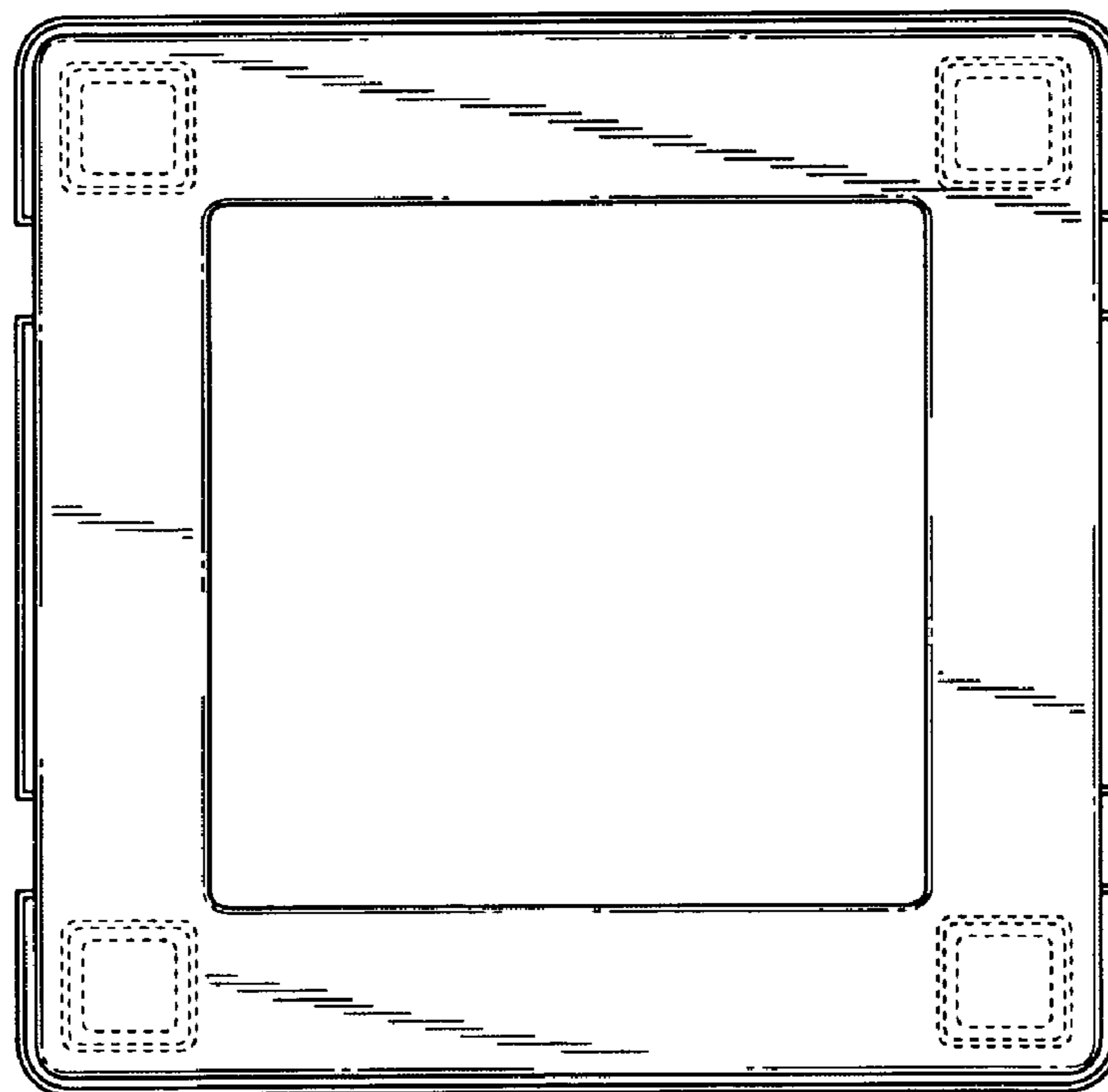


Fig. 10

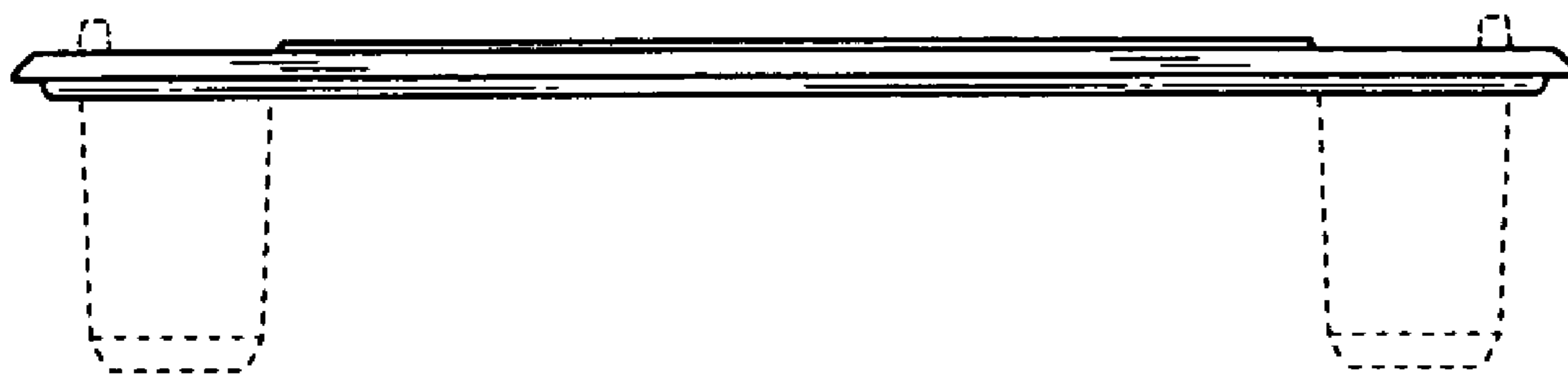


Fig. 11

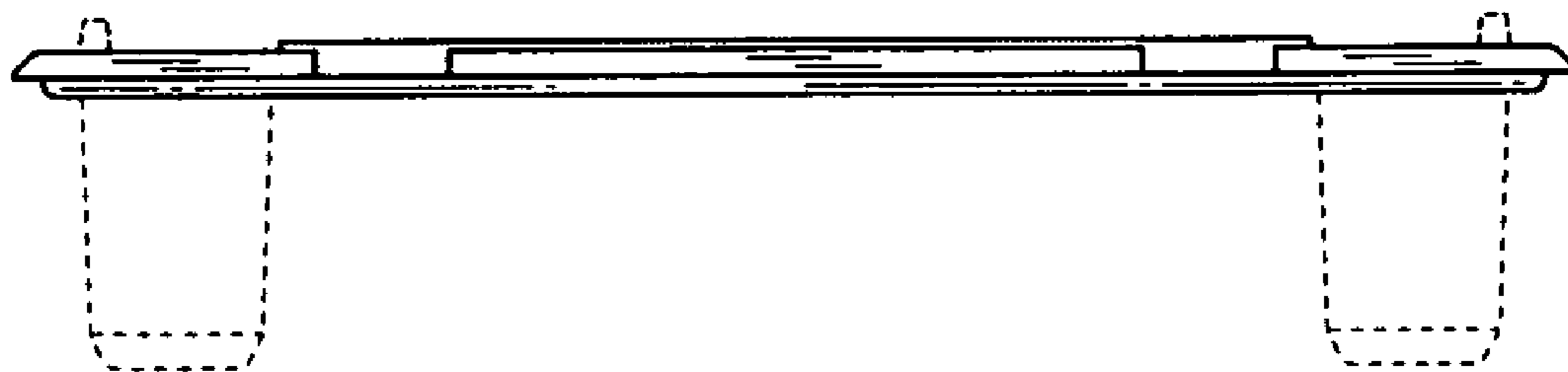


Fig. 12

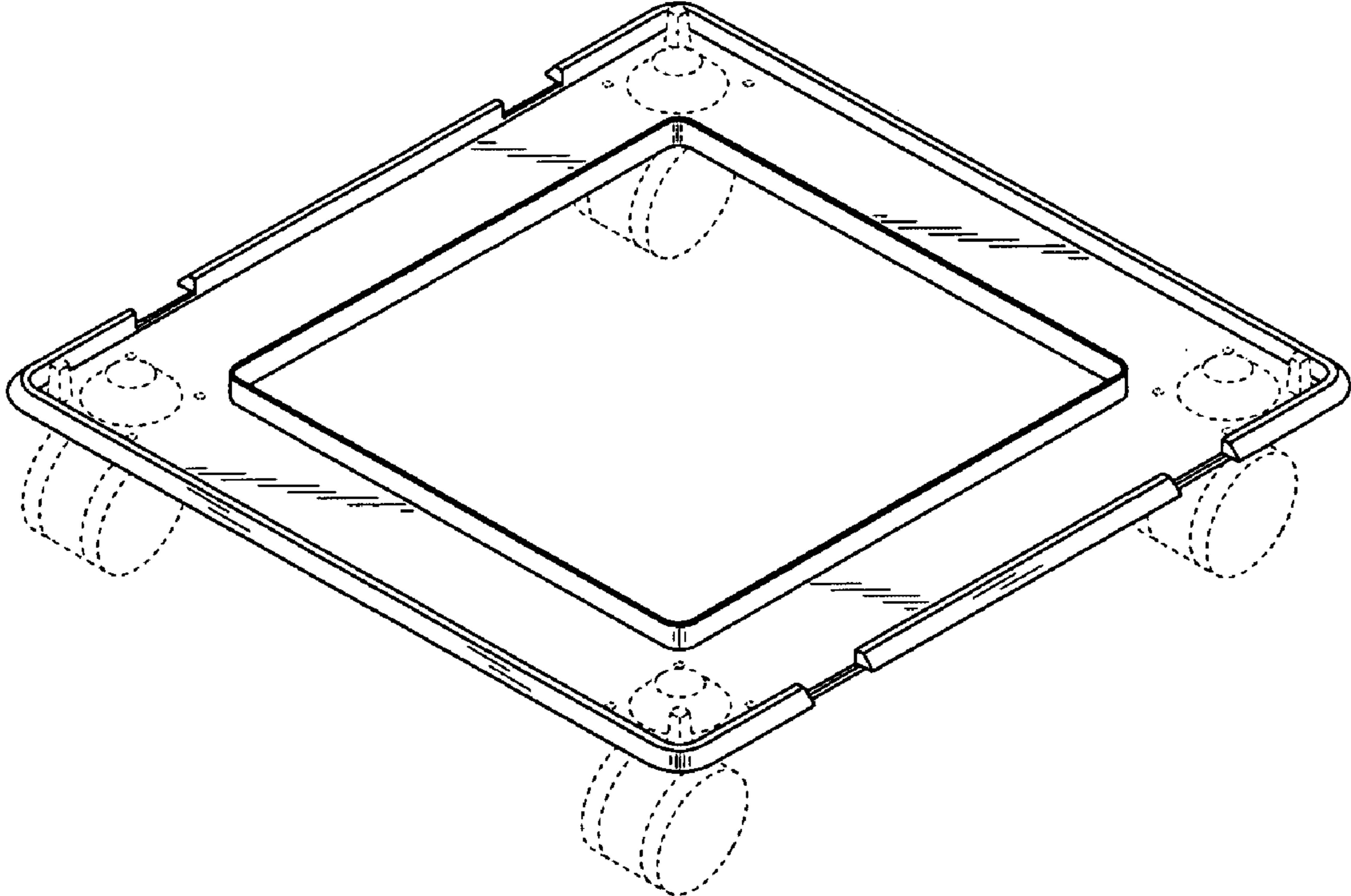


Fig. 13

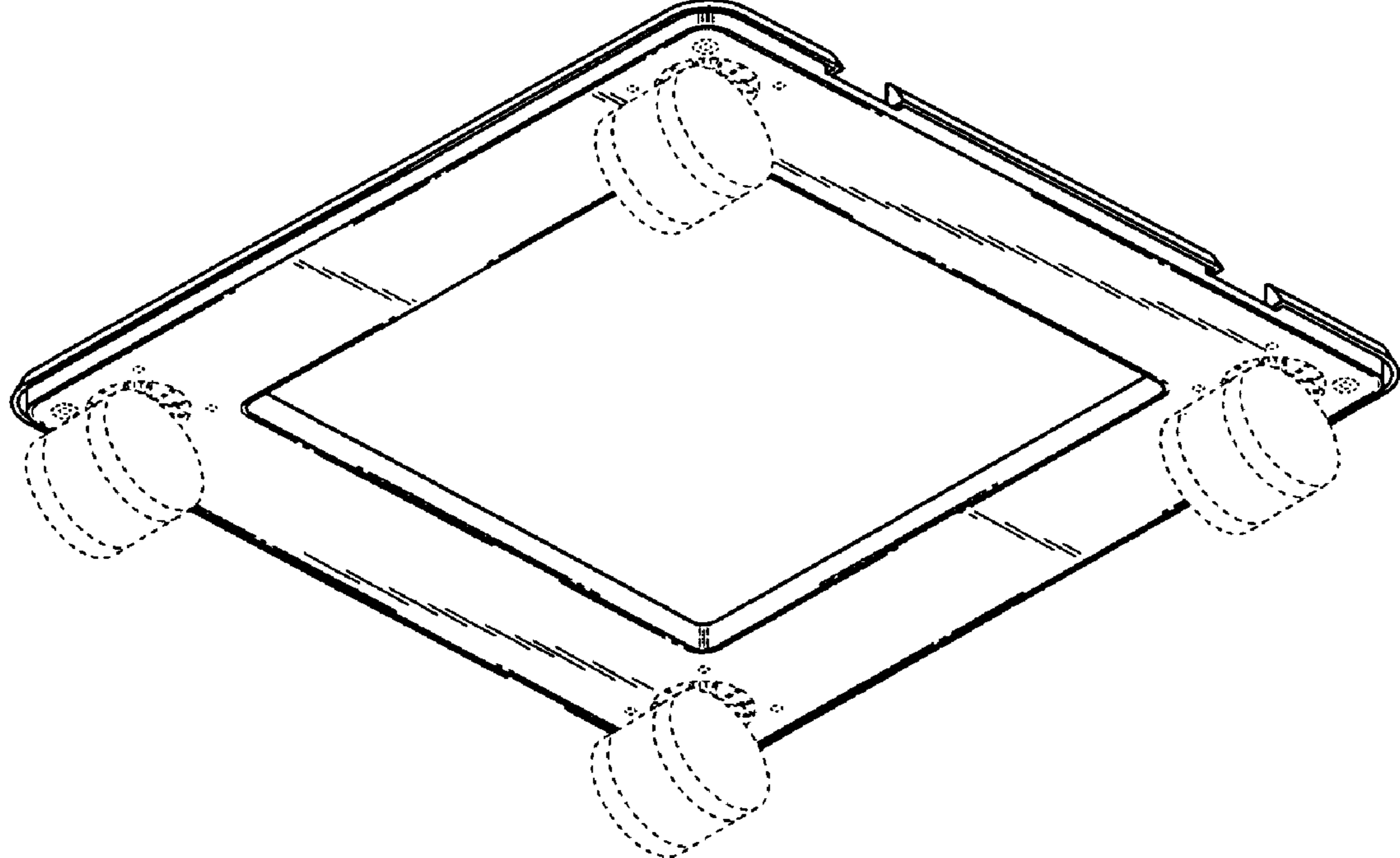


Fig. 14

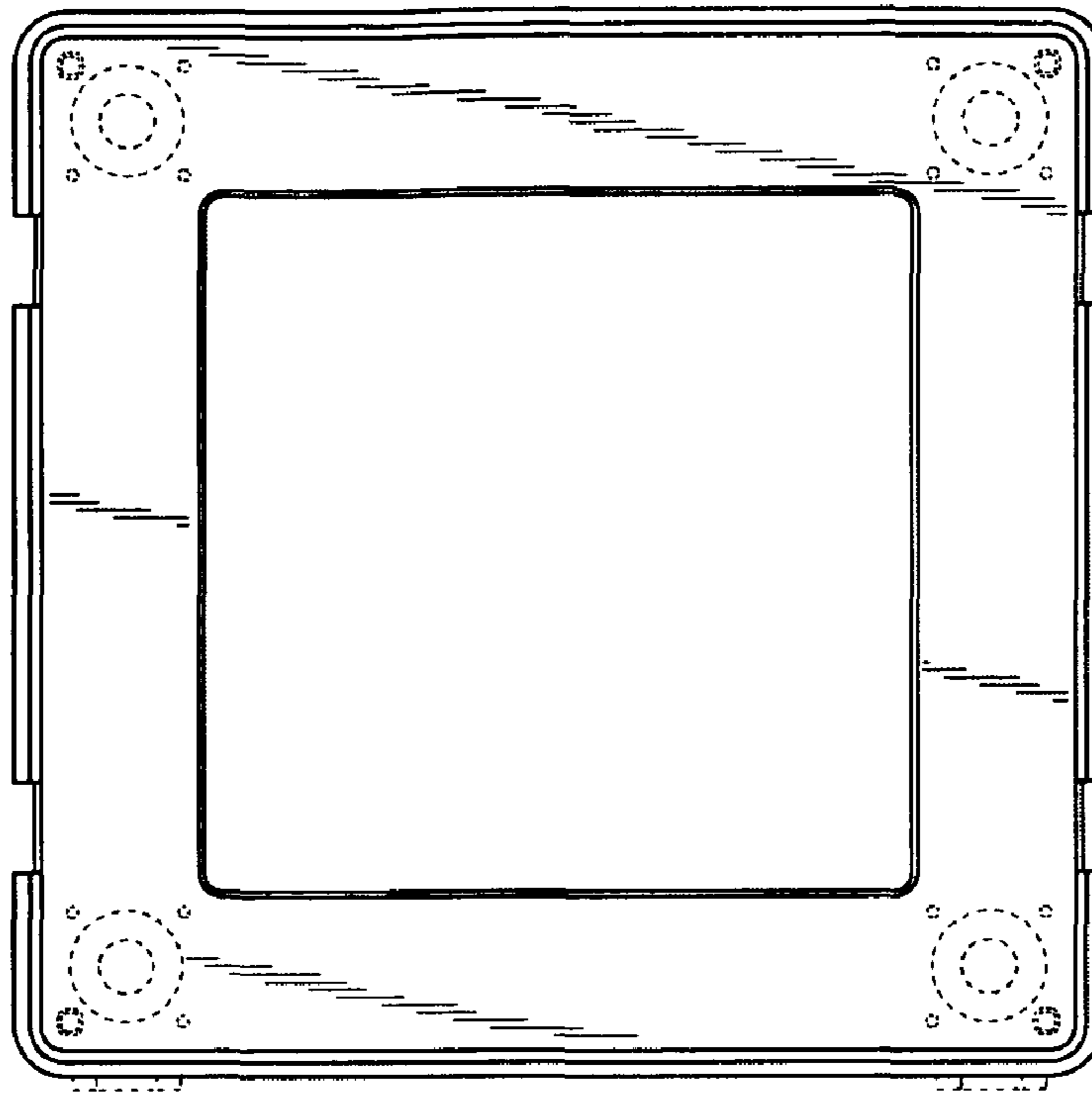


Fig. 15

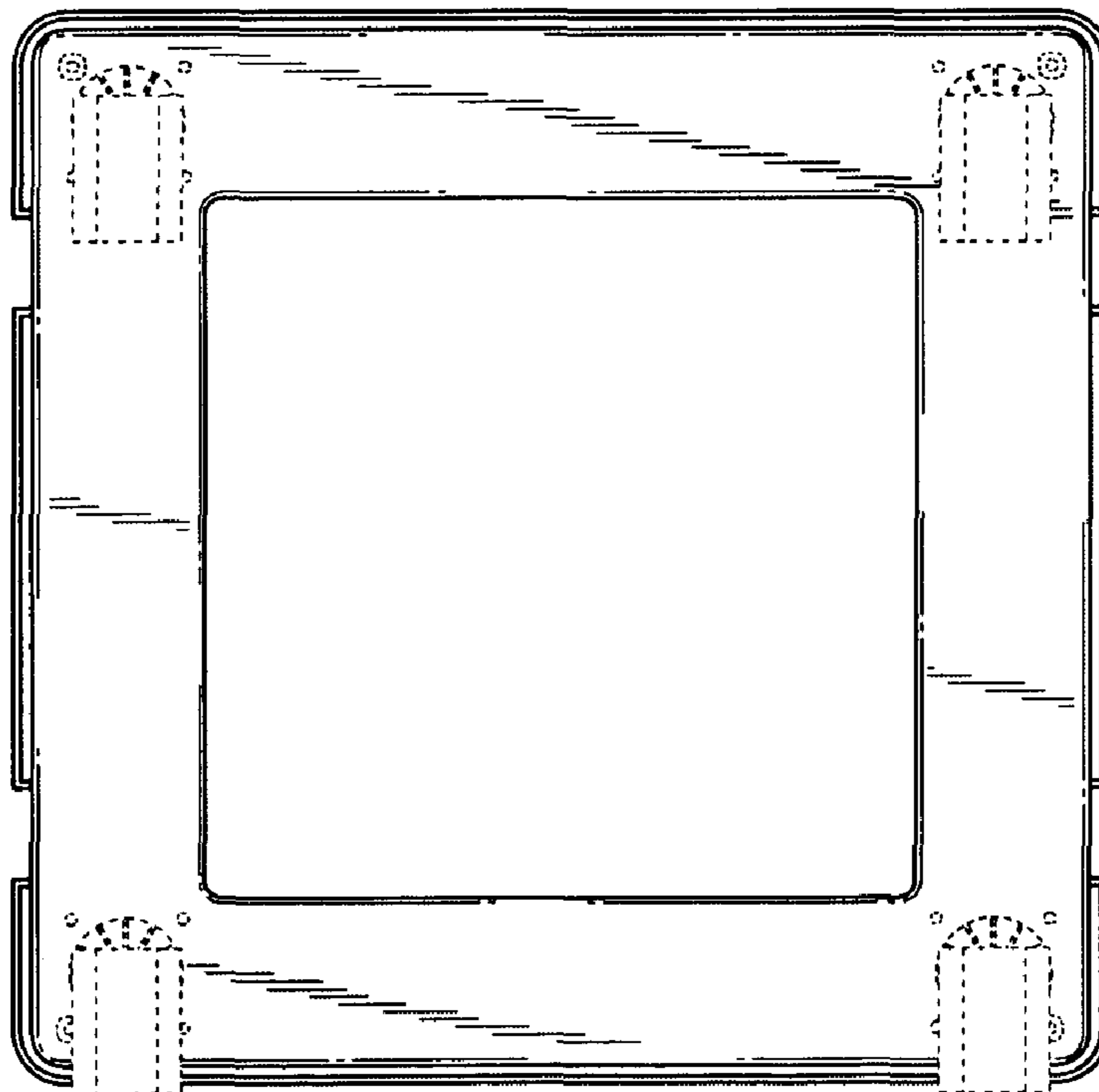


Fig. 16

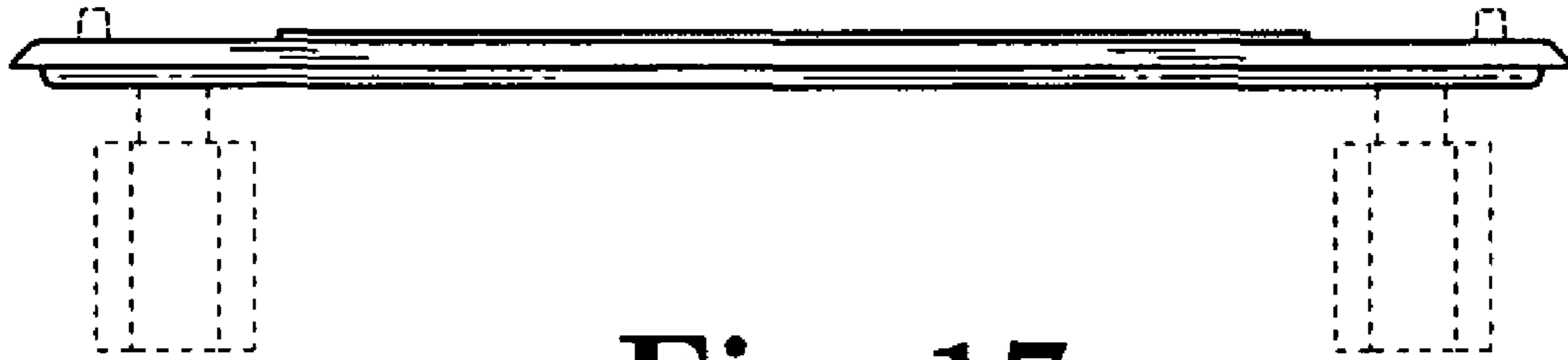


Fig. 17

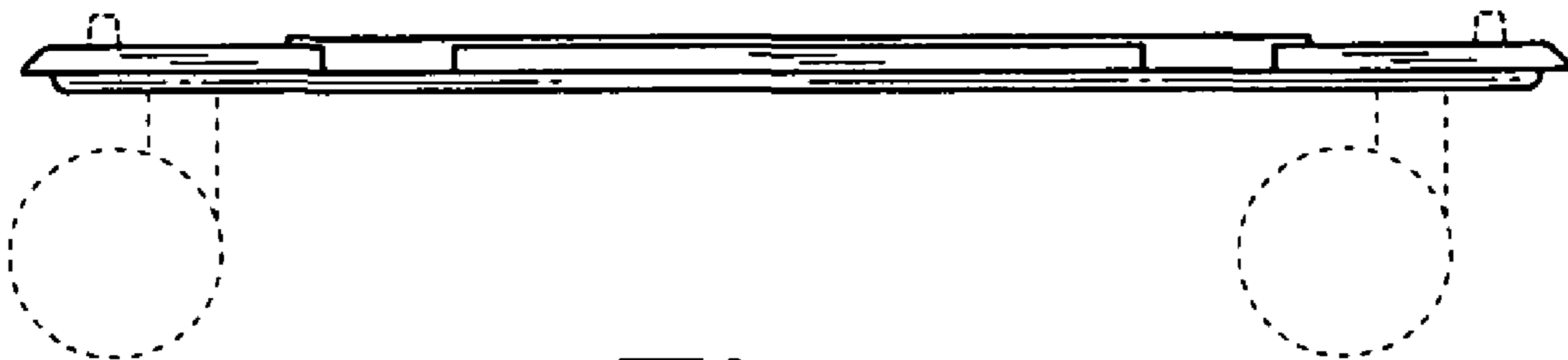


Fig. 18