



US00D617576S

(12) **United States Design Patent**
Lin

(10) **Patent No.:** **US D617,576 S**
(45) **Date of Patent:** **** Jun. 15, 2010**

(54) **CLOTHESHORSE**

(76) **Inventor:** **Li-Hsiang Lin**, No. 22, Taiyuan 3rd St.,
North District, Taichung City (TW)

(**) **Term:** **14 Years**

(21) **Appl. No.:** **29/309,731**

(22) **Filed:** **Sep. 30, 2008**

(51) **LOC (9) Cl.** **06-04**

(52) **U.S. Cl.** **D6/411**

(58) **Field of Classification Search** 248/99,
248/129, 95, 166, 164, 432, 98, 97, 175,
248/150, 100; 211/24, 195, 200, 60.1, 49.1,
211/27; D6/352-337, 340, 349, 355, 369-370,
D6/381, 495, 499-502

See application file for complete search history.

(56) **References Cited**

U.S. PATENT DOCUMENTS

241,765	A *	5/1881	Wever	220/9.3
1,491,801	A *	4/1924	Holbrook	248/164
2,676,709	A *	4/1954	Walsh	211/27
2,939,584	A *	6/1960	Bergman, Jr.	211/27
3,033,379	A *	5/1962	Clark	211/200
3,157,136	A *	11/1964	Moody	108/155
3,502,291	A *	3/1970	Ackerman et al.	248/97
3,633,932	A *	1/1972	Holden	280/641
3,659,816	A *	5/1972	Wilson	248/97
3,839,754	A *	10/1974	Hooper	5/98.2
3,893,648	A *	7/1975	Gilbert	248/97
4,029,318	A *	6/1977	Boss	273/390
4,613,104	A *	9/1986	Garrott	248/97
4,823,965	A *	4/1989	Hughes	211/60.1
4,886,229	A *	12/1989	Aripze-Gilmore	248/125.1
4,953,815	A *	9/1990	Beymer et al.	248/97

4,974,525	A *	12/1990	Sheffield	108/118
5,146,635	A *	9/1992	Gastle et al.	5/620
5,190,254	A *	3/1993	Maguire	248/164
5,470,039	A *	11/1995	Hilger	248/164
6,092,769	A *	7/2000	Brown	248/166
6,334,593	B2 *	1/2002	Inoue	248/95
6,547,195	B1 *	4/2003	Kokuzian et al.	248/129
7,032,868	B2 *	4/2006	Mutert	248/99
D521,205	S *	5/2006	Fan	D34/6
D530,931	S *	10/2006	Gilbert	D6/353
2003/0024886	A1 *	2/2003	Belle	211/24

* cited by examiner

Primary Examiner—Philip S Hyder

Assistant Examiner—Sydney R Buffalow

(74) *Attorney, Agent, or Firm*—Rosenberg, Klein & Lee

(57) **CLAIM**

The ornamental design for a clotheshorse, as shown and described.

DESCRIPTION

FIG. 1 is a perspective view of a clotheshorse showing my new design;

FIG. 2 is a front view thereof;

FIG. 3 is a rear view thereof;

FIG. 4 is a left side view thereof;

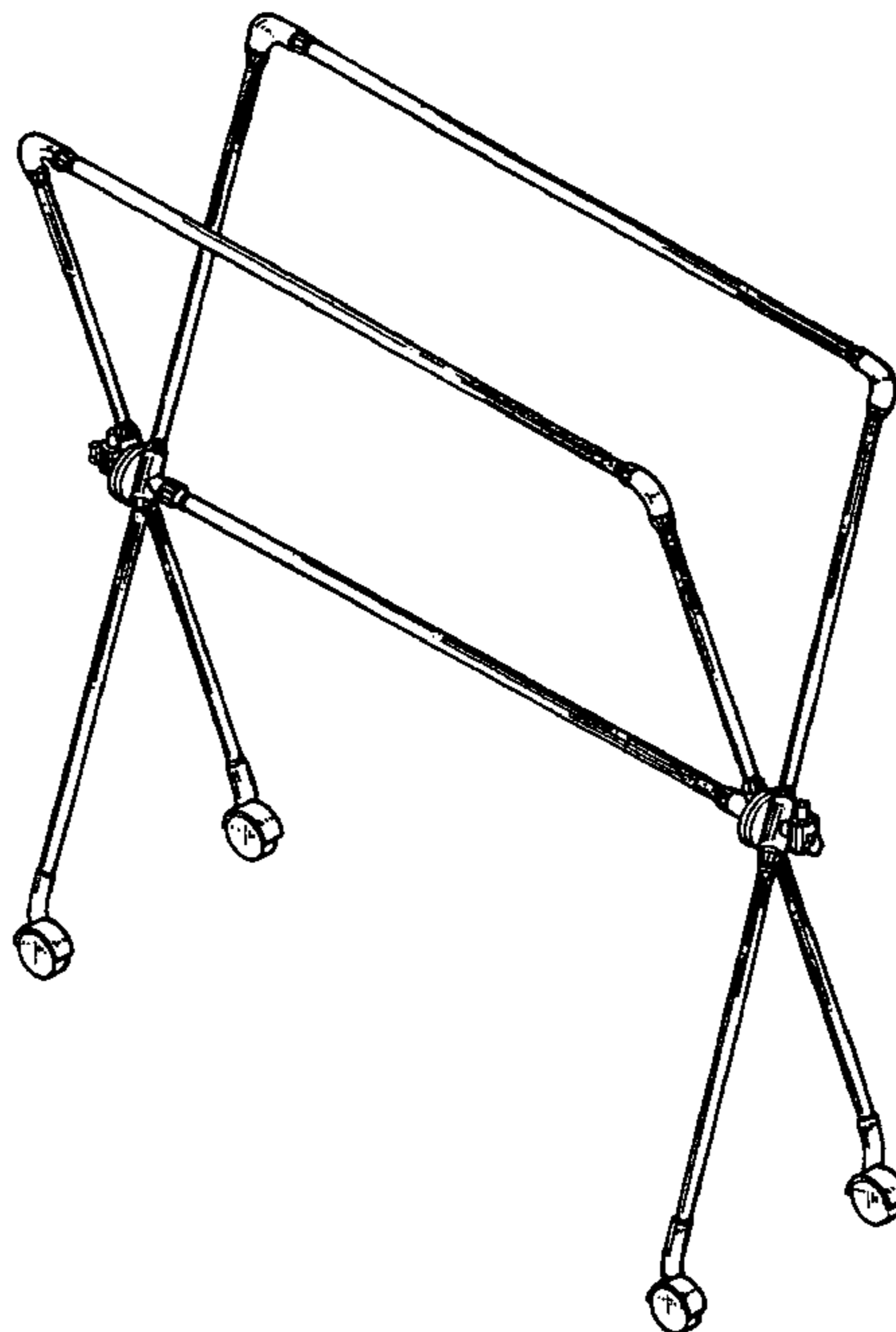
FIG. 5 is a right side view thereof;

FIG. 6 is a top view thereof;

FIG. 7 is a bottom view thereof; and,

FIG. 8 is a perspective view of an alternate embodiment of the clotheshorse.

1 Claim, 8 Drawing Sheets



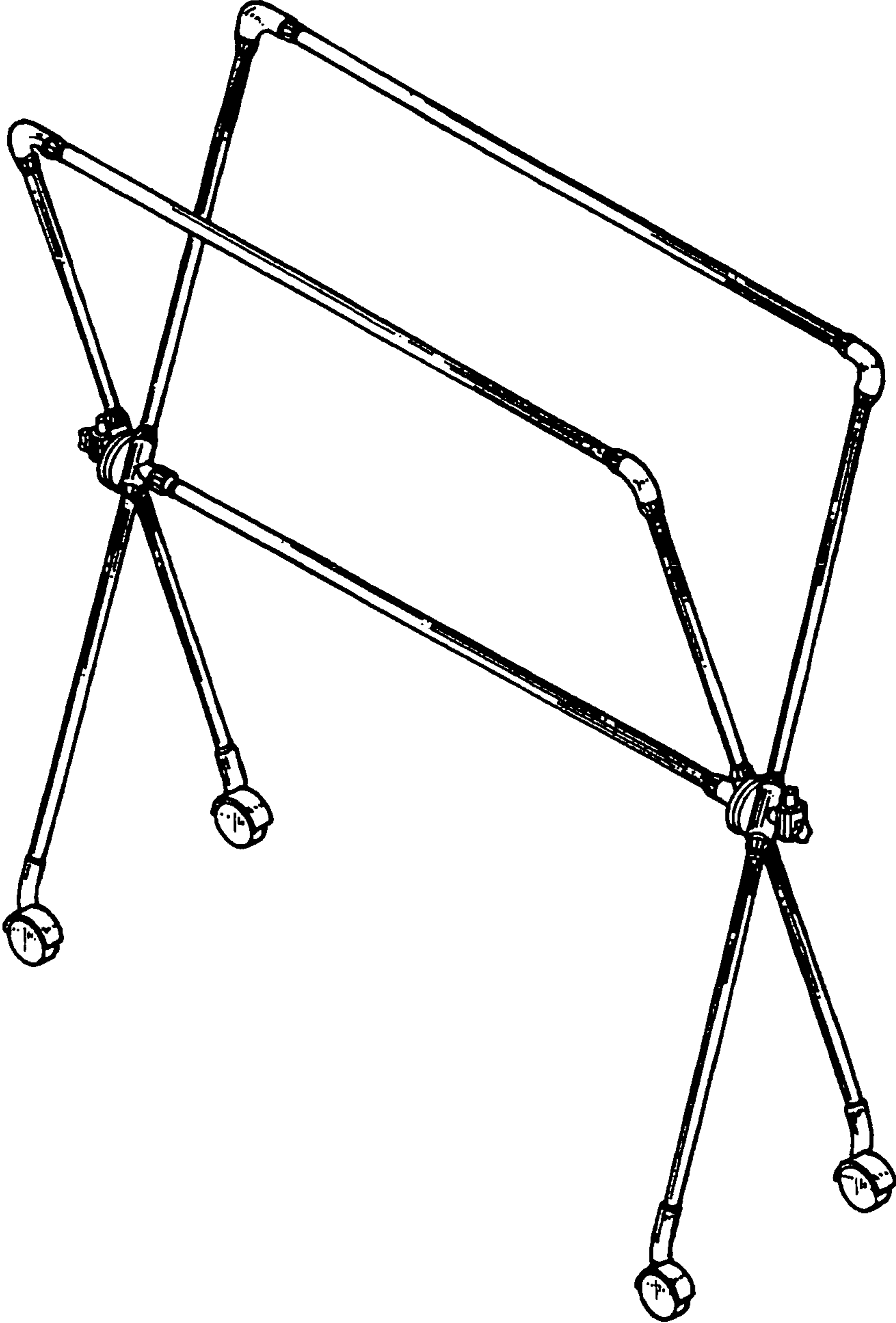


FIG.1

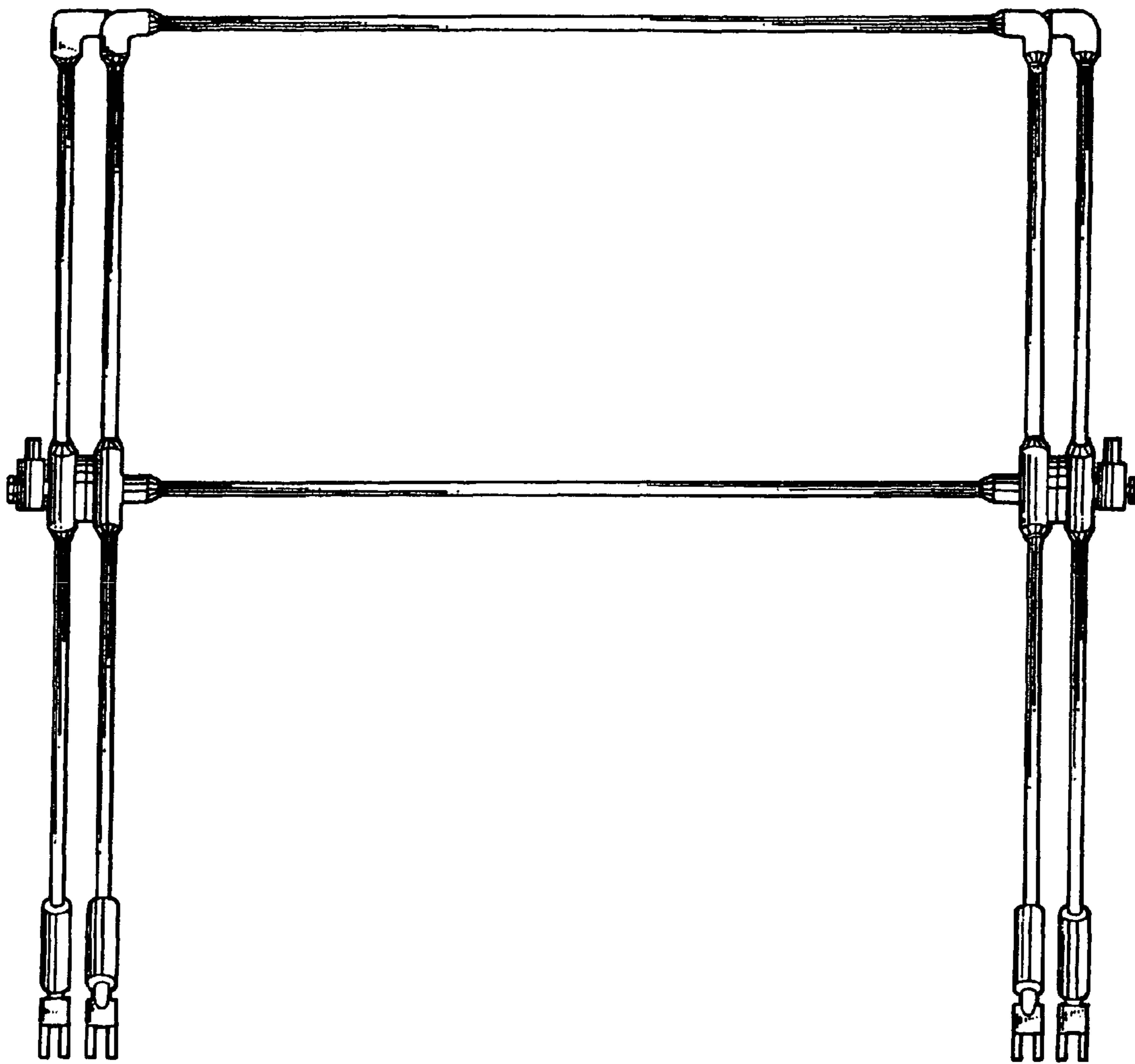


FIG. 2

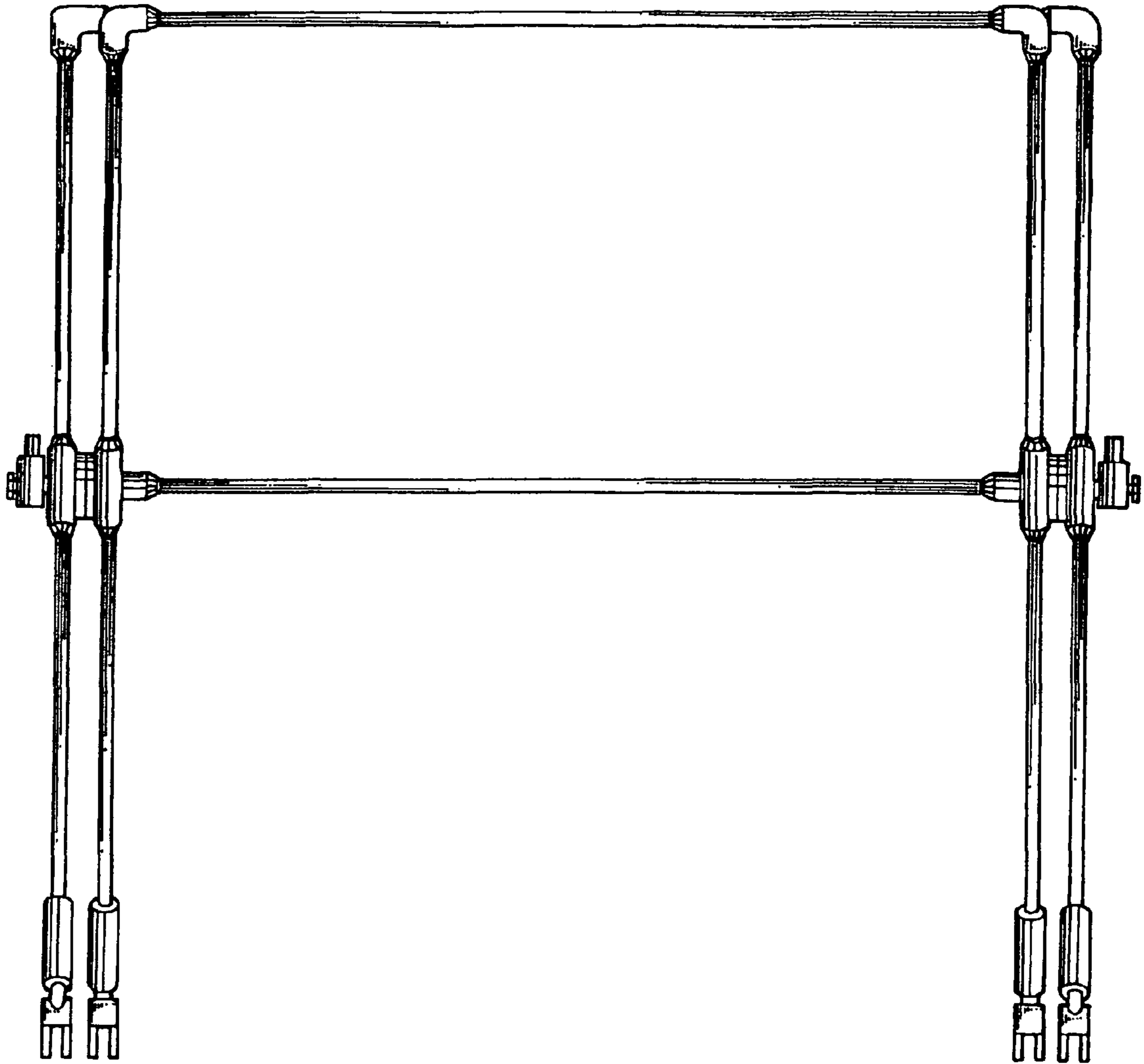


FIG.3

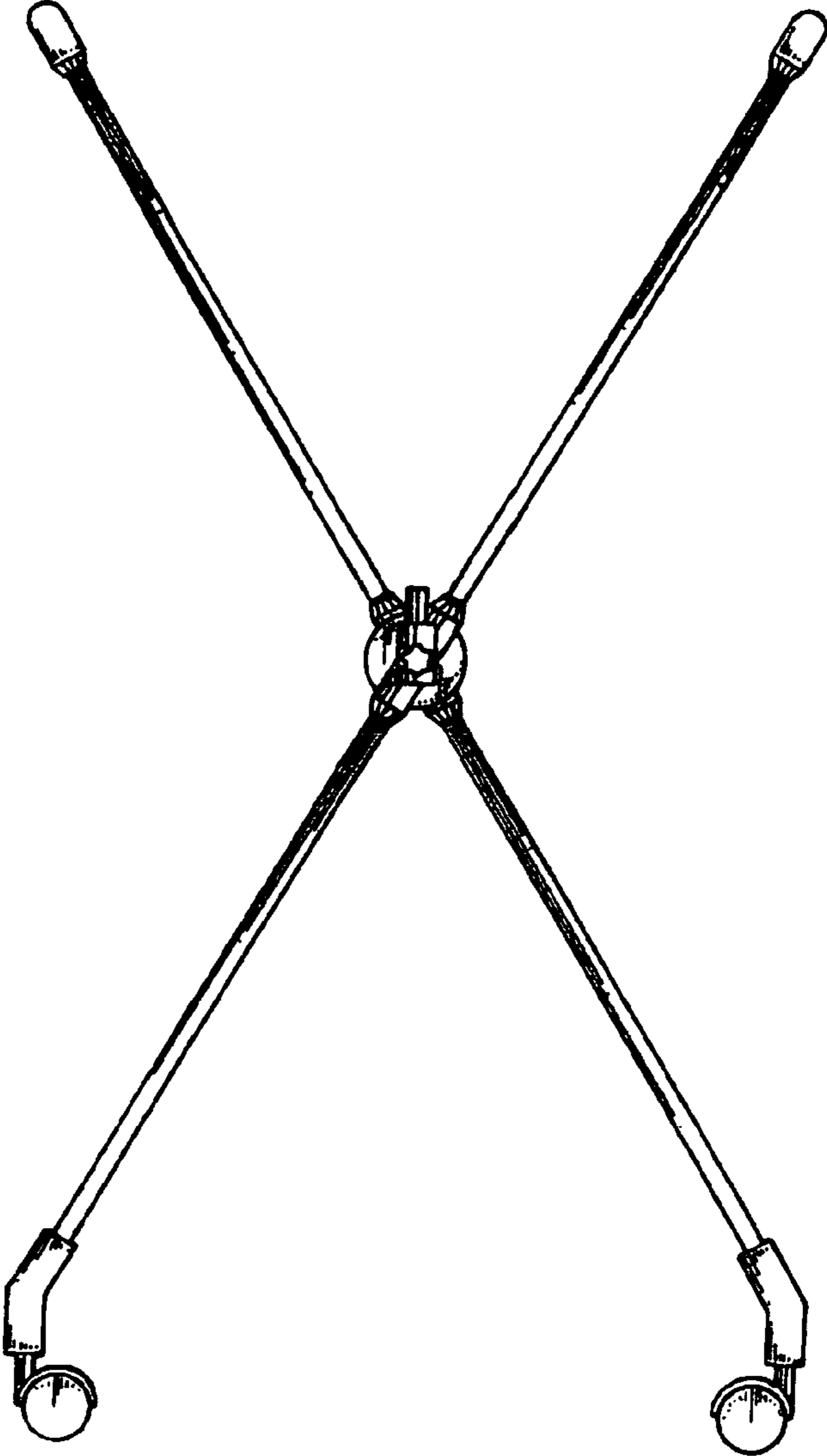


FIG.4

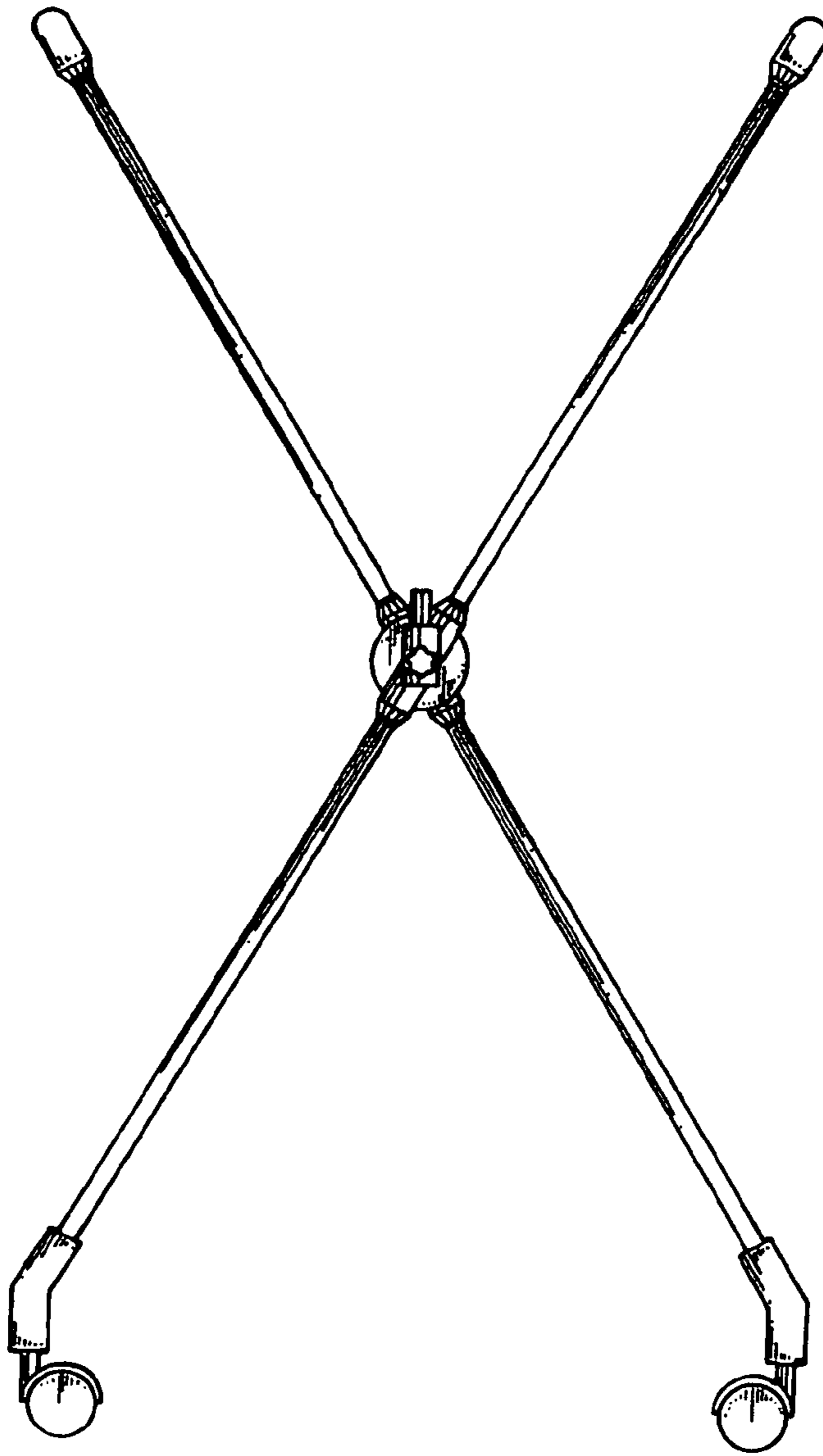


FIG.5

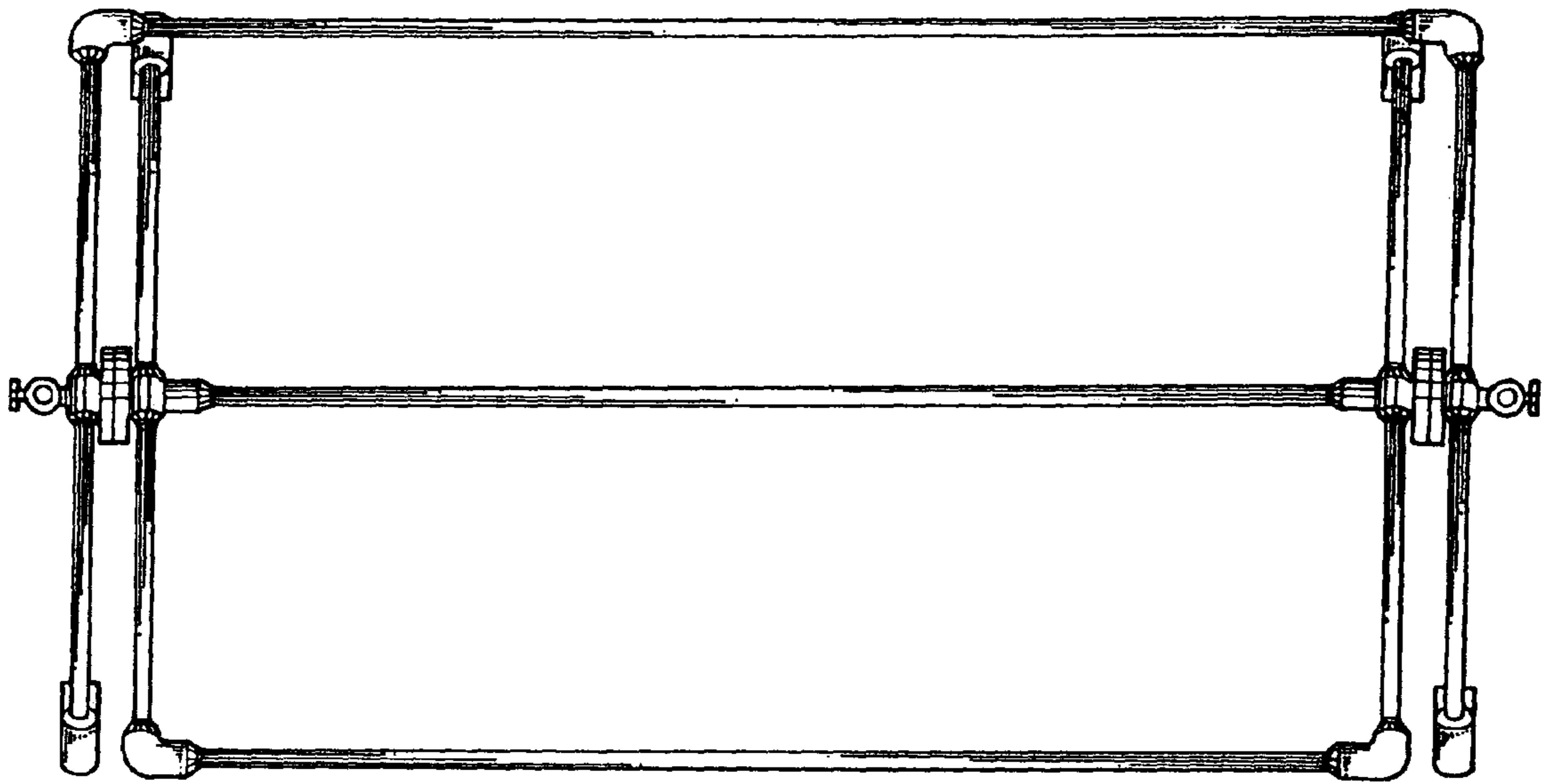


FIG.6

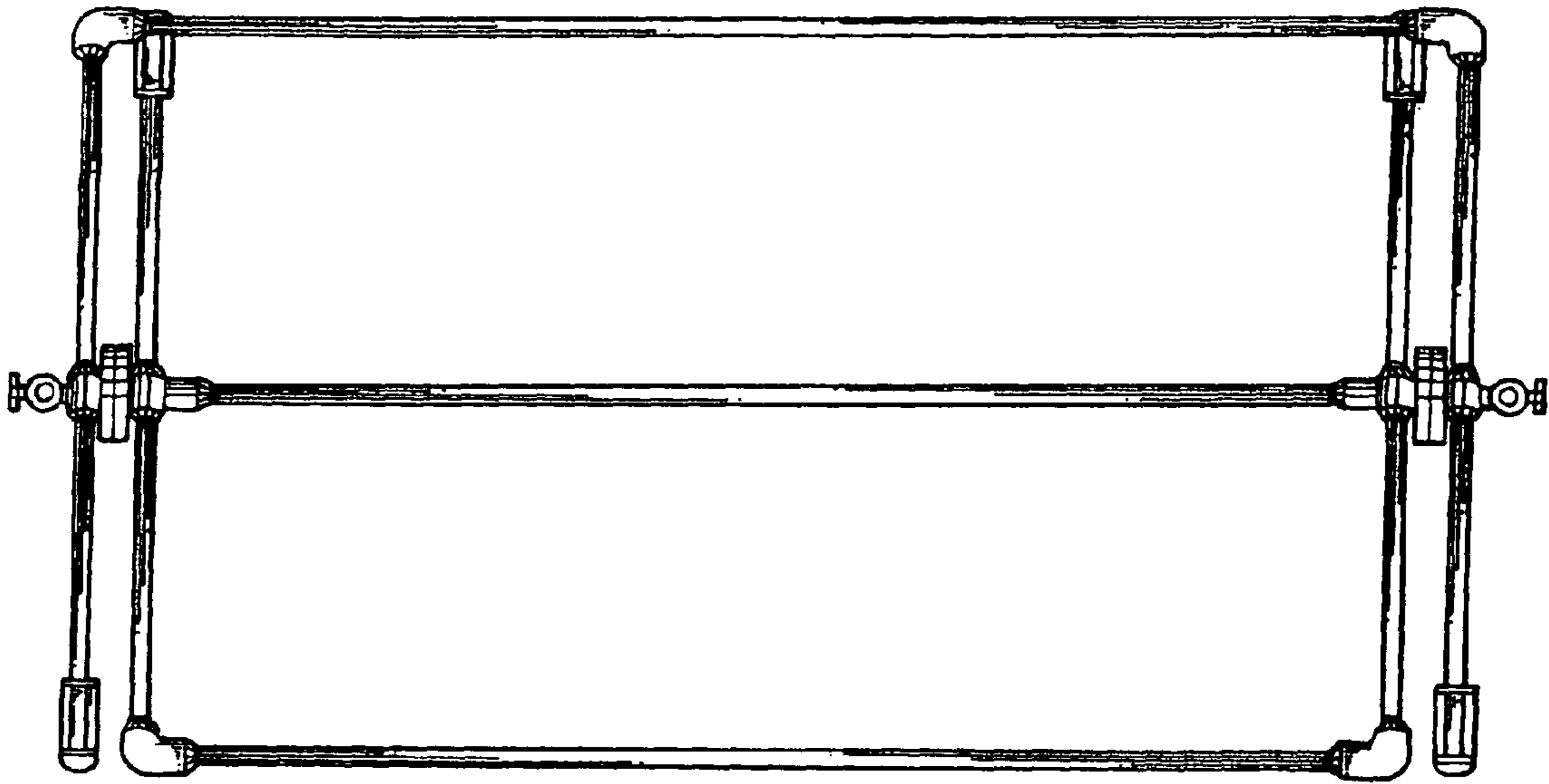


FIG. 7

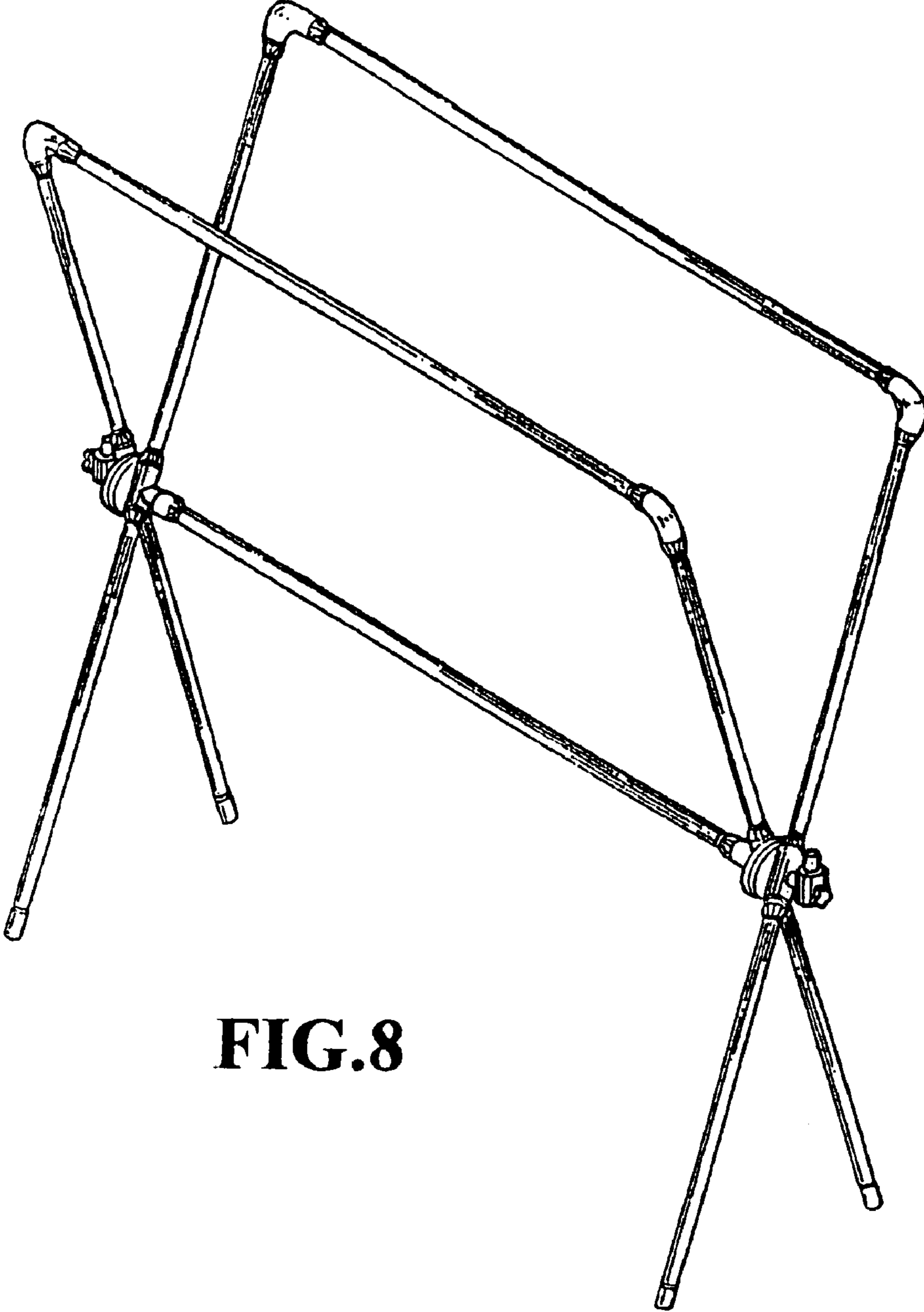


FIG.8