



US00D617574S

(12) **United States Design Patent**
Lake

(10) **Patent No.:** **US D617,574 S**
(45) **Date of Patent:** **** Jun. 15, 2010**

(54) **CRIB**

D594,245 S * 6/2009 Hagstrom et al. D6/390

(75) Inventor: **Jon Christopher Lake**, Sunnyvale, CA
(US)

* cited by examiner

(73) Assignee: **iLinko, Ltd.**, Hong Kong (HK)

Primary Examiner—Janice E Seeger
(74) *Attorney, Agent, or Firm*—Swanson & Bratschun,
L.L.C.

(**) Term: **14 Years**

(57) **CLAIM**

(21) Appl. No.: **29/333,218**

The ornamental design for a crib, as shown and described.

(22) Filed: **Mar. 4, 2009**

DESCRIPTION

(51) **LOC (9) Cl.** **06-02**

(52) **U.S. Cl.** **D6/390**

(58) **Field of Classification Search** D6/390,
D6/391, 331, 333; 5/93.1, 97, 98.1, 99.1,
5/93.2; D30/114

FIG. 1 is an upper perspective view of the crib showing my
new design;

FIG. 2 is a front and back elevational view thereof;

FIG. 3 is a left and right side elevational view thereof;

FIG. 4 is a top plan view thereof;

See application file for complete search history.

FIG. 5 is an upper perspective view thereof without base-
board; and,

FIG. 6 is a top plan view thereof without baseboard.

(56) **References Cited**

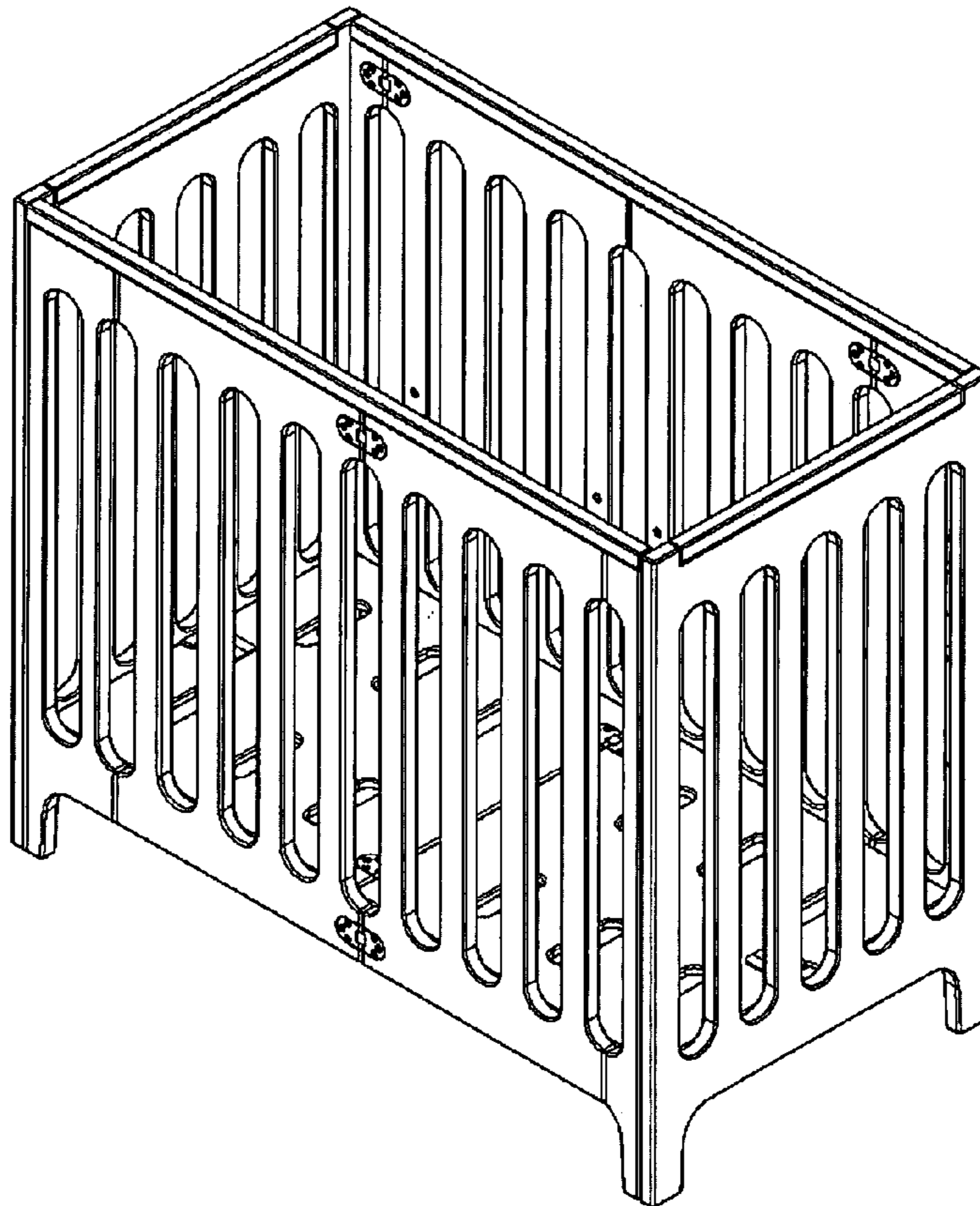
U.S. PATENT DOCUMENTS

- 2,477,231 A * 7/1949 Bourdon 5/93.1
- D403,174 S * 12/1998 Beaumont D6/390
- D403,542 S * 1/1999 Feldstein D6/503
- 6,112,347 A * 9/2000 Tharalson et al. 5/95
- D495,520 S * 9/2004 Salem D6/390

The broken lines are for environmental purposes only and
form no part of the claimed design.

FIGS. 5 and 6 show the baseboard removed for the conve-
nience of illustration.

1 Claim, 6 Drawing Sheets



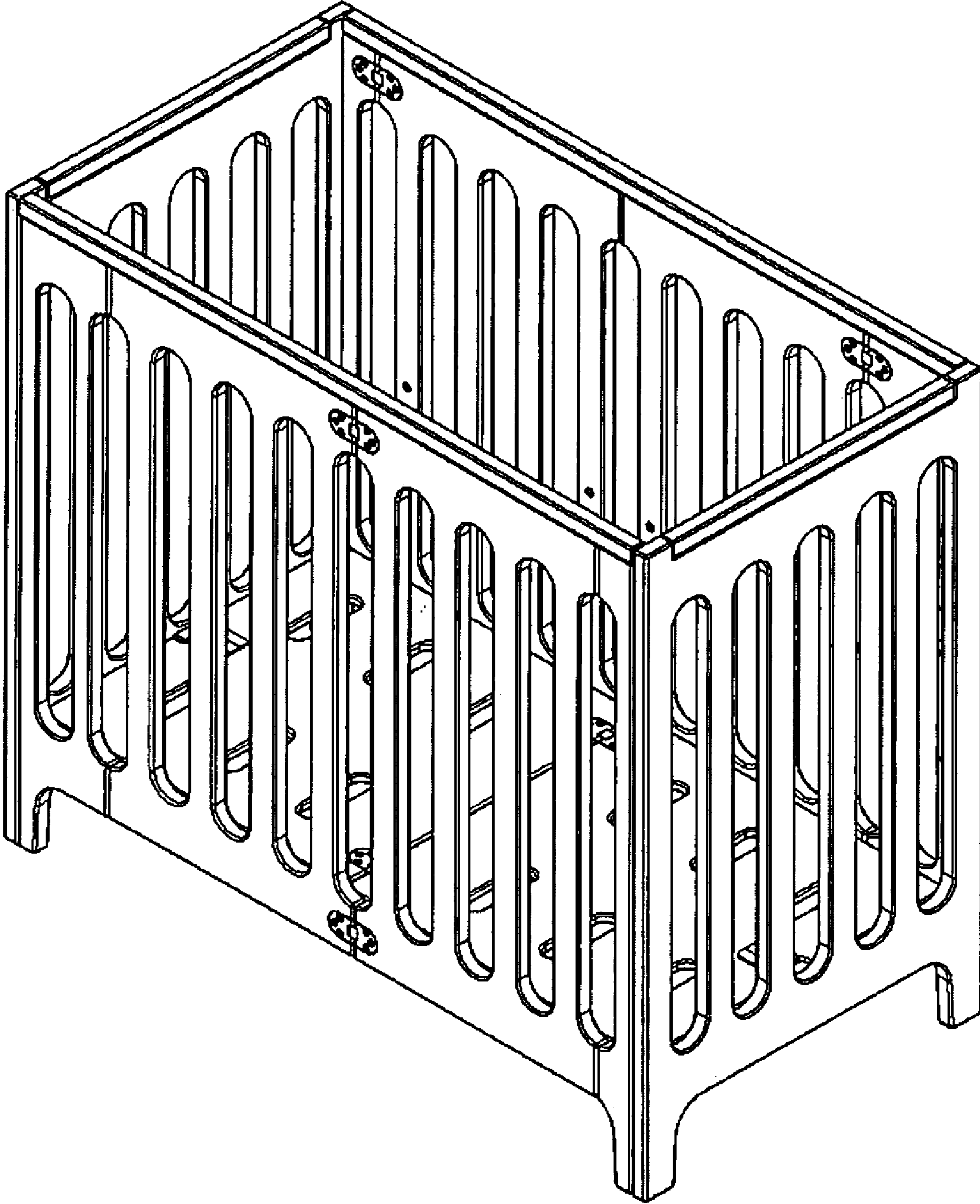


FIG. 1

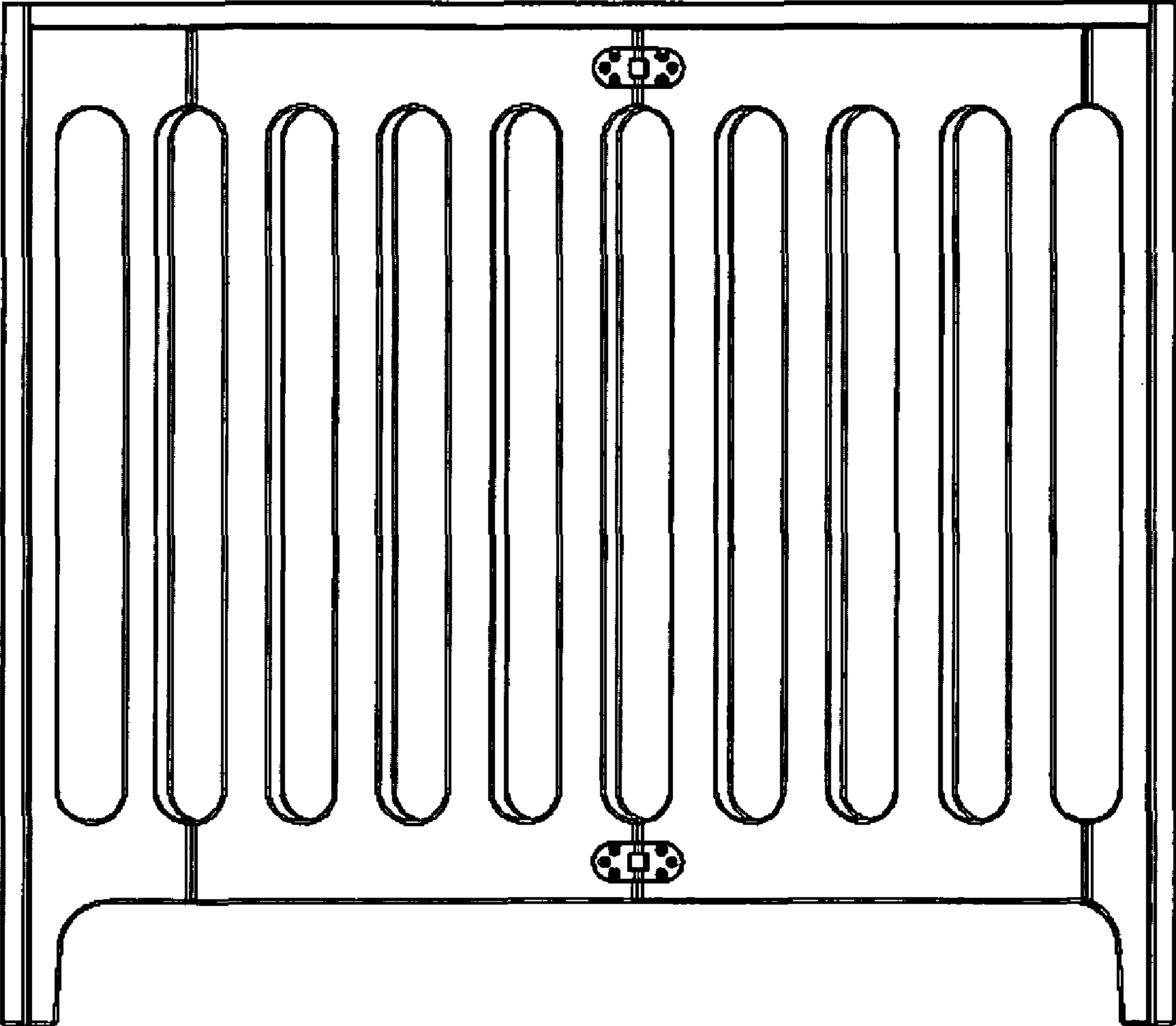


FIG. 2

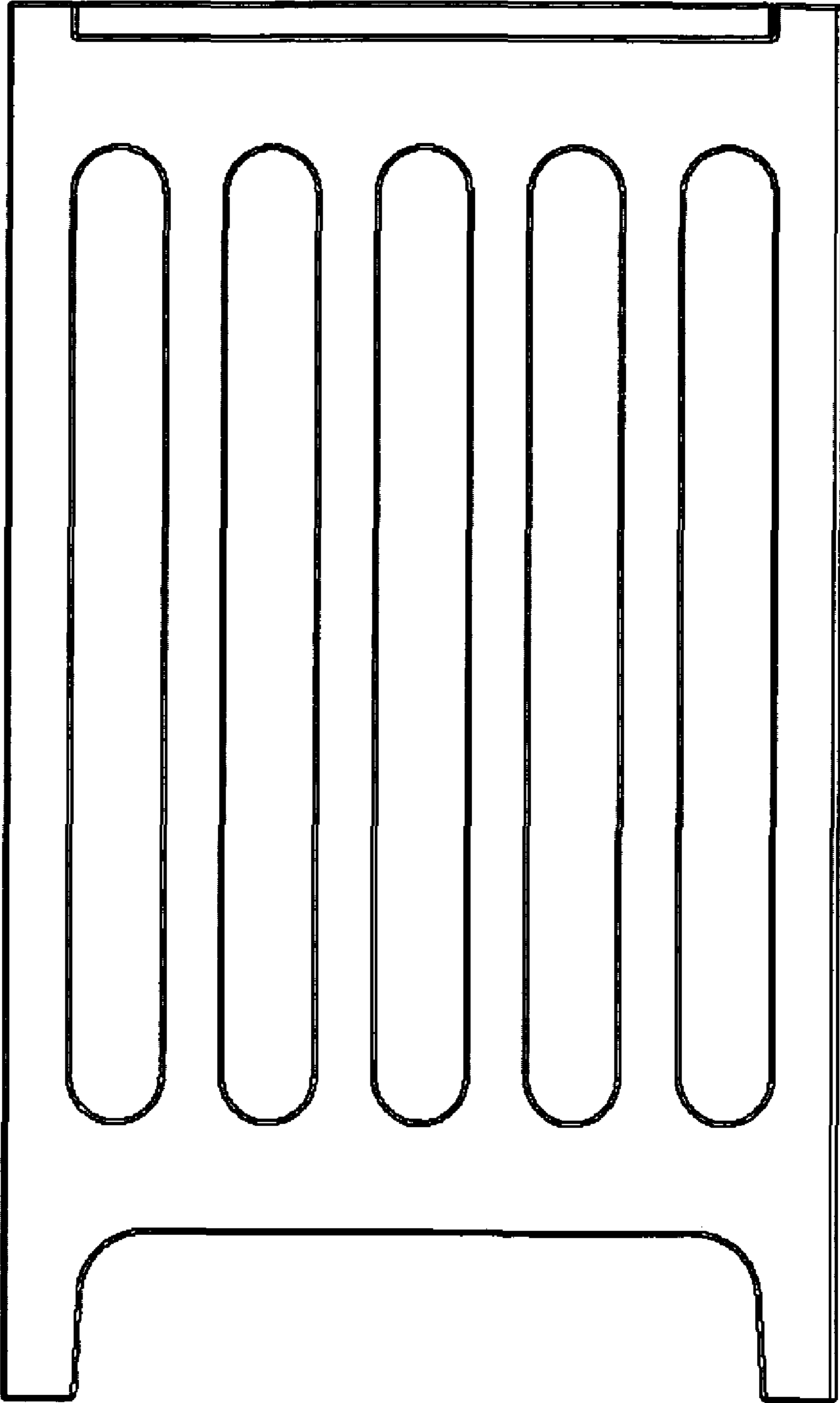


FIG. 3

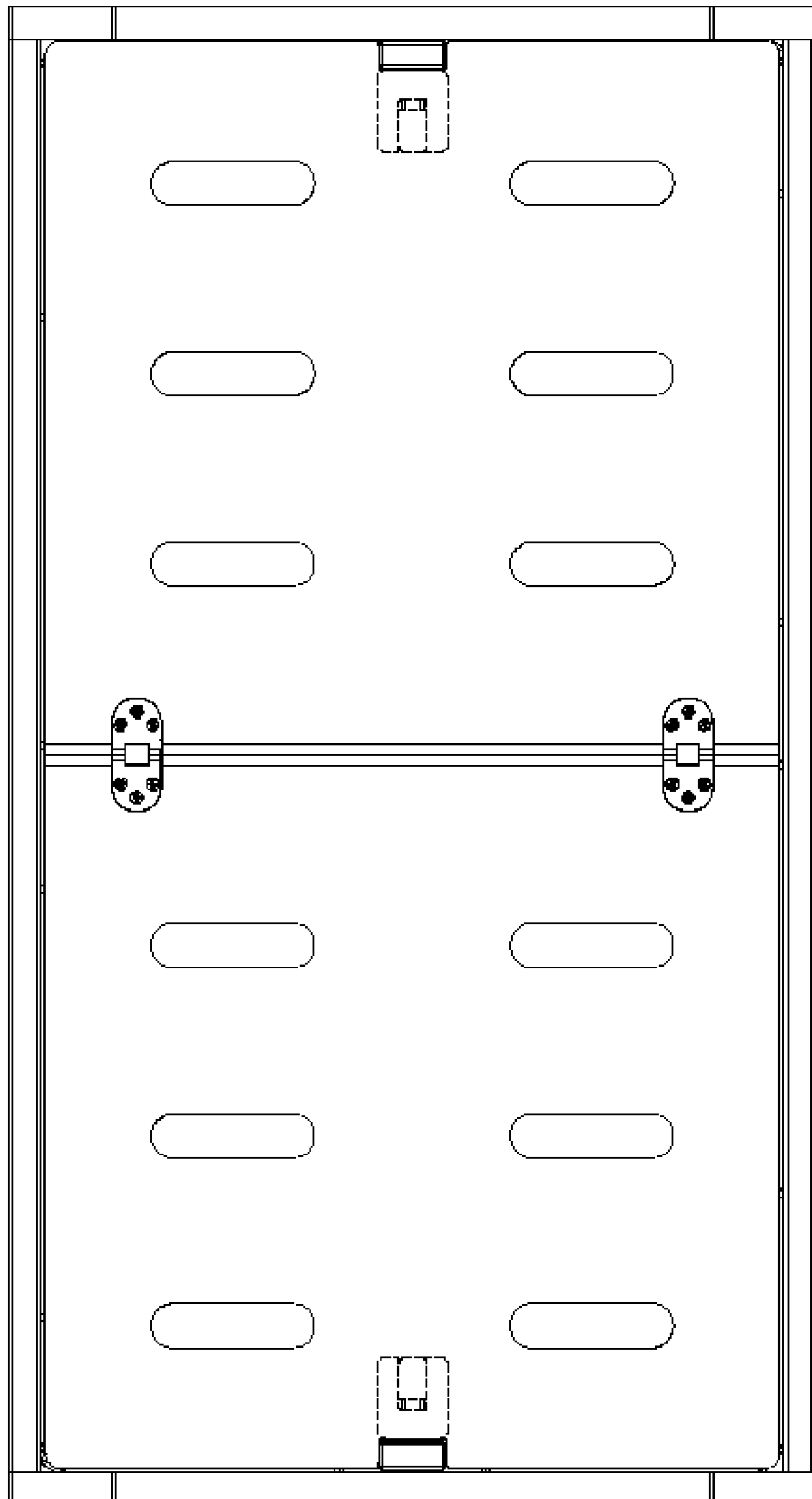


Fig. 4

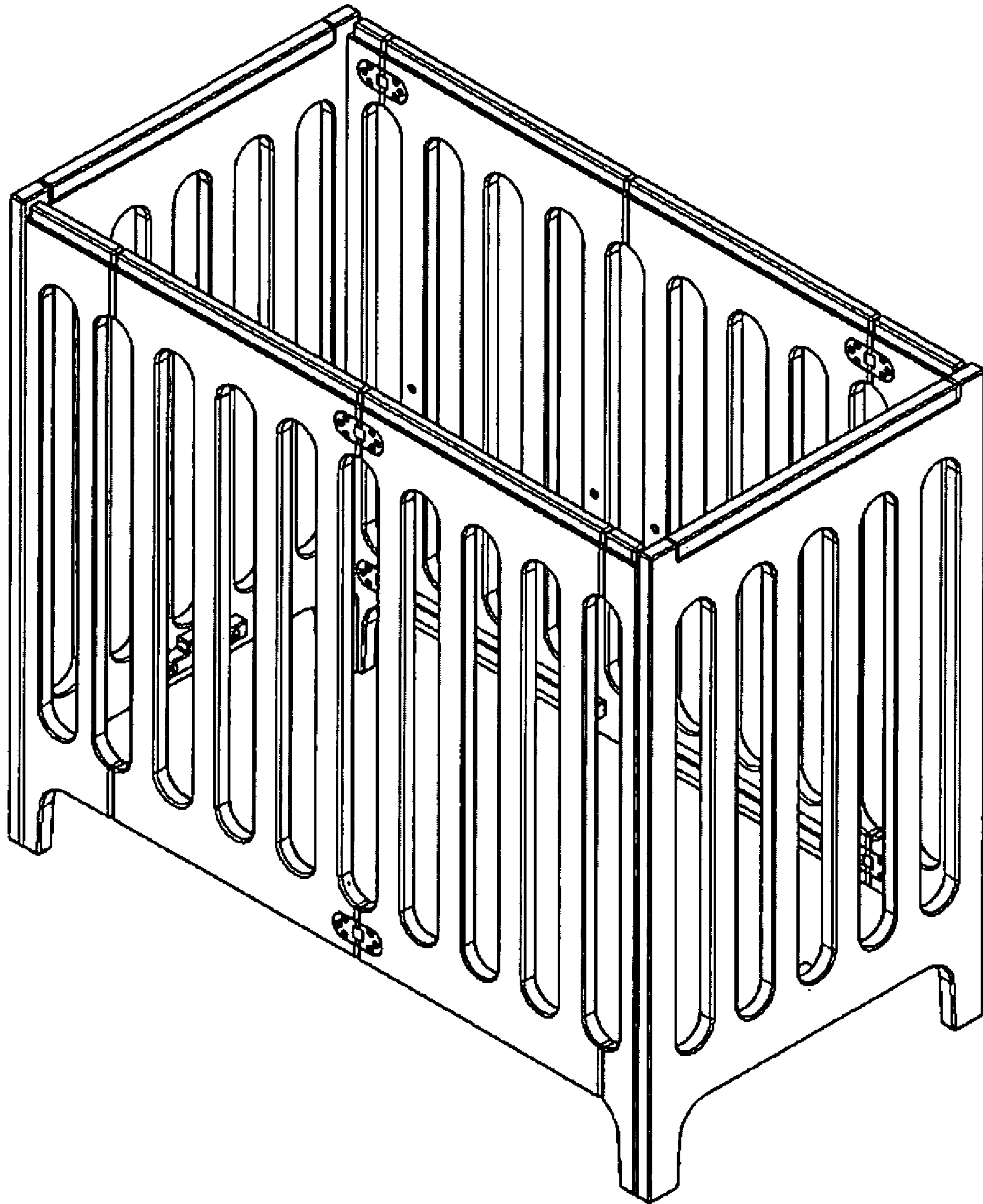


FIG. 5

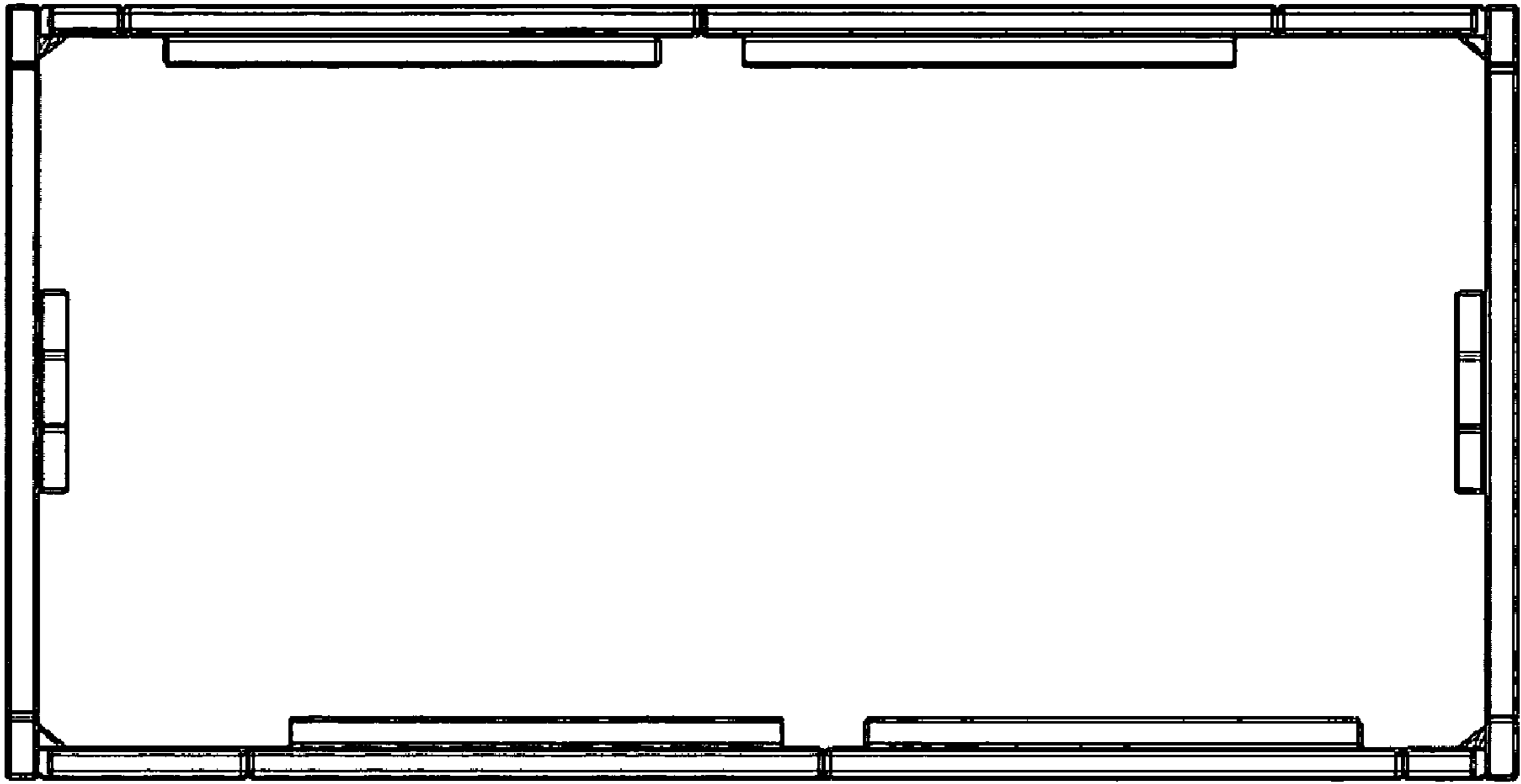


FIG. 6