



US00D617572S

(12) **United States Design Patent**
Natuzzi

(10) **Patent No.:** **US D617,572 S**
(45) **Date of Patent:** **** Jun. 15, 2010**

- (54) **SOFA**
- (75) **Inventor:** **Pasquale Natuzzi, Bari (IT)**
- (73) **Assignee:** **Natuzzi S.p.A. (IT)**
- (**) **Term:** **14 Years**
- (21) **Appl. No.:** **29/345,794**
- (22) **Filed:** **Oct. 22, 2009**
- (30) **Foreign Application Priority Data**

Apr. 22, 2009 (IT) BA2009O0007

- (51) **LOC (9) Cl.** **06-01**
- (52) **U.S. Cl.** **D6/381**
- (58) **Field of Classification Search** D6/334,
D6/336.1, 369, 374, 491, 492, 495, 500-502;
297/63, 94, 232, 233, 248, 283.1, 283.2,
297/535, 354.1, 445.1, 446.1, 448.1; 5/12.1,
5/12.2

See application file for complete search history.

(56) **References Cited**

U.S. PATENT DOCUMENTS

- D280,955 S * 10/1985 Hopfer D6/361
- D344,861 S * 3/1994 Natuzzi et al. D6/381
- D380,103 S * 6/1997 Natuzzi et al. D6/381
- D498,942 S * 11/2004 Ricci D6/381
- D514,842 S * 2/2006 Natuzzi D6/381
- D543,044 S * 5/2007 Ricci D6/381
- D544,237 S * 6/2007 Nemschoff D6/381

- D552,863 S * 10/2007 Natuzzi D6/381
- D577,220 S 9/2008 Natuzzi
- D590,169 S 4/2009 Natuzzi
- D590,179 S 4/2009 Natuzzi

* cited by examiner

Primary Examiner—Sandra Snapp

(74) *Attorney, Agent, or Firm*—St. Onge Steward Johnston & Reens LLC

(57) **CLAIM**

The ornamental design for a sofa, as shown and described.

DESCRIPTION

FIG. 1 is a front elevation view of a sofa, showing a back of the sofa in a reclined position, in accordance with the new design;

FIG. 2 is a top elevation view thereof;

FIG. 3 is a front elevation view thereof, showing the back of the sofa in an upright position;

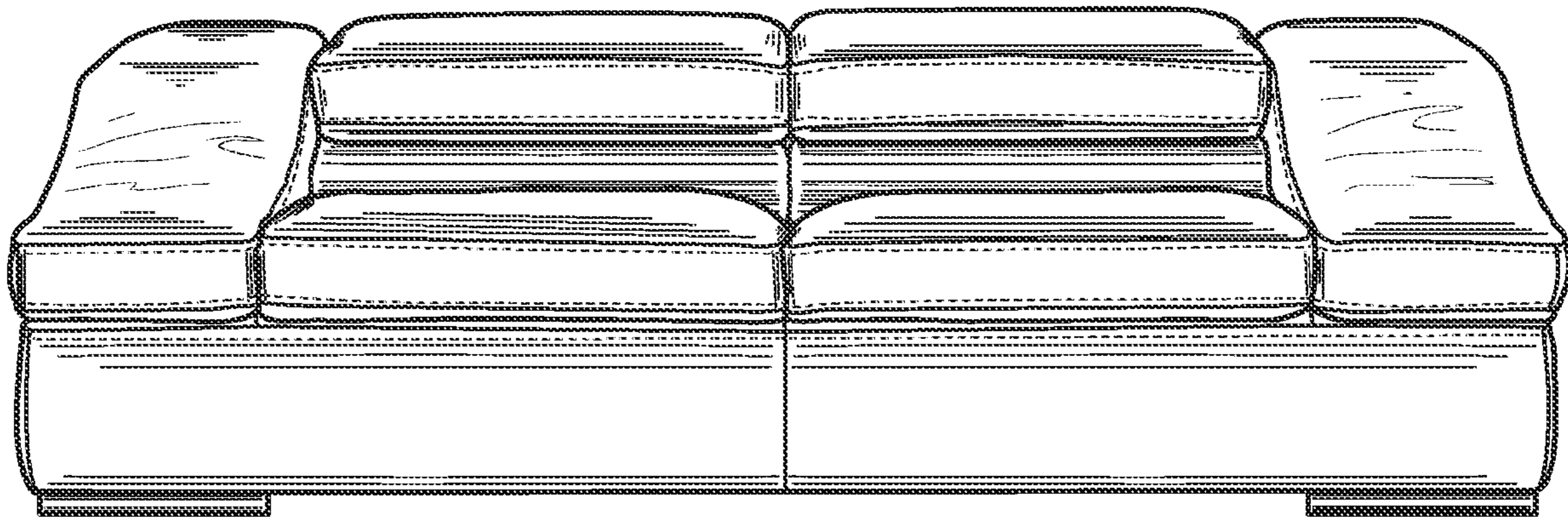
FIG. 4 is a back elevation view thereof, showing the back of the sofa in the upright position;

FIG. 5 is a side perspective view thereof, showing the back of the sofa in the reclined position, an opposite side perspective view being a mirror image thereof; and,

FIG. 6 is a side perspective view thereof, showing the back of the sofa in the upright position, an opposite side perspective view being a mirror image thereof.

The broken lines shown on the sofa are understood to represent stitching.

1 Claim, 3 Drawing Sheets



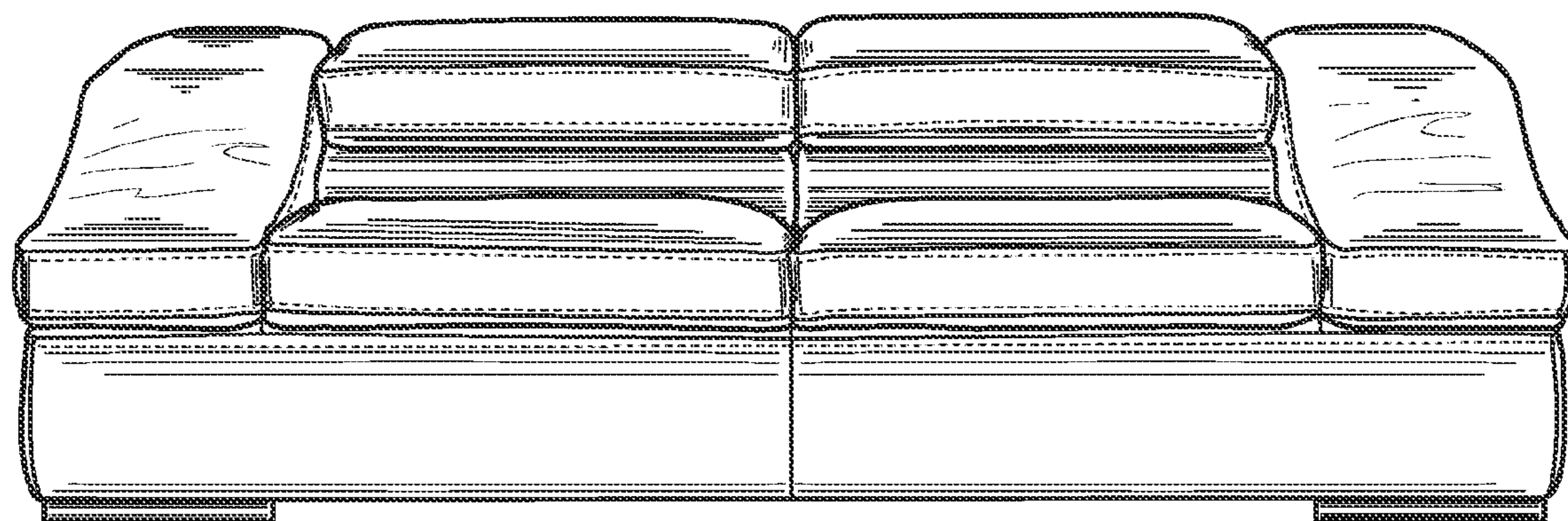


FIG. 1

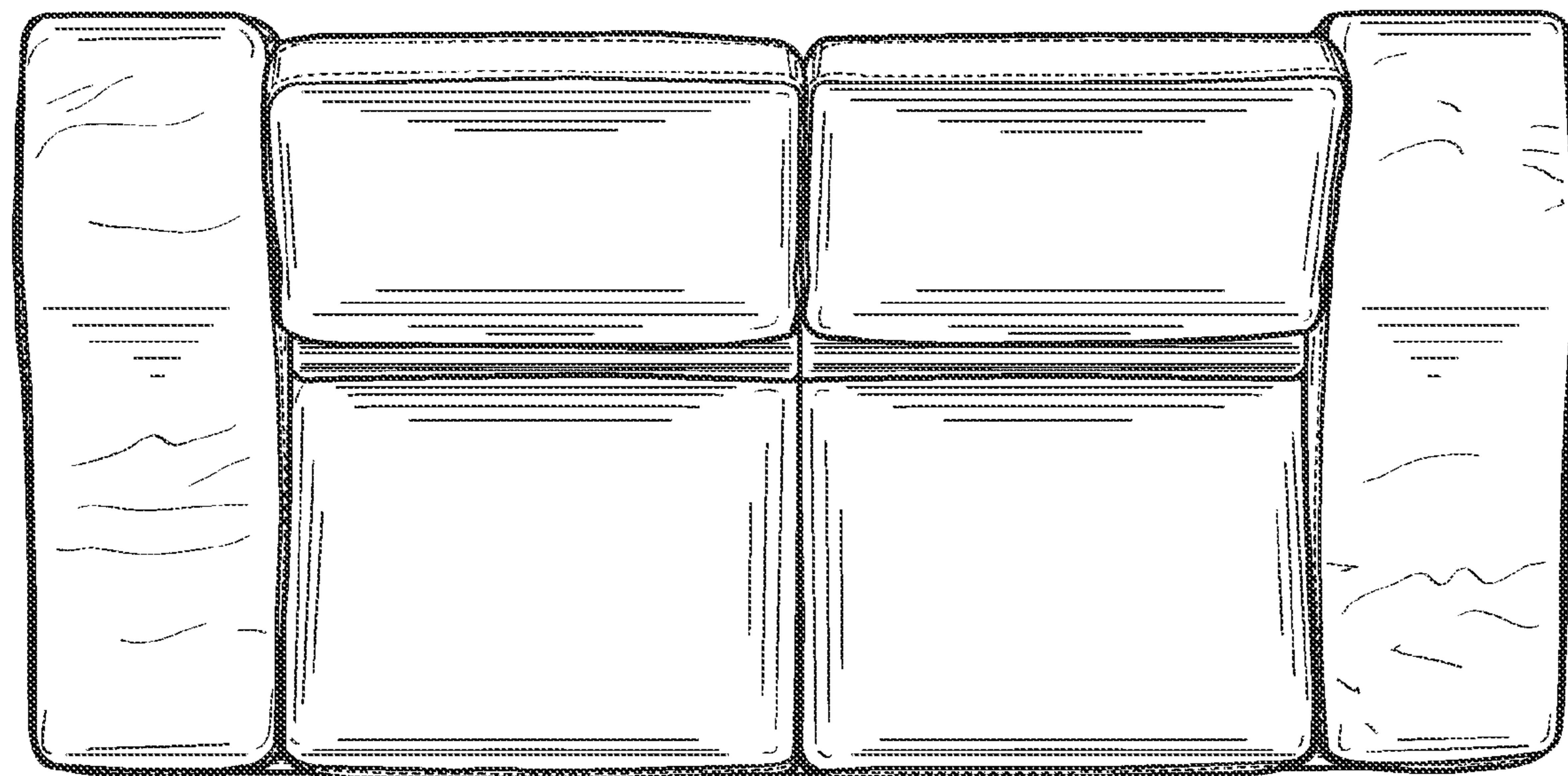


FIG. 2

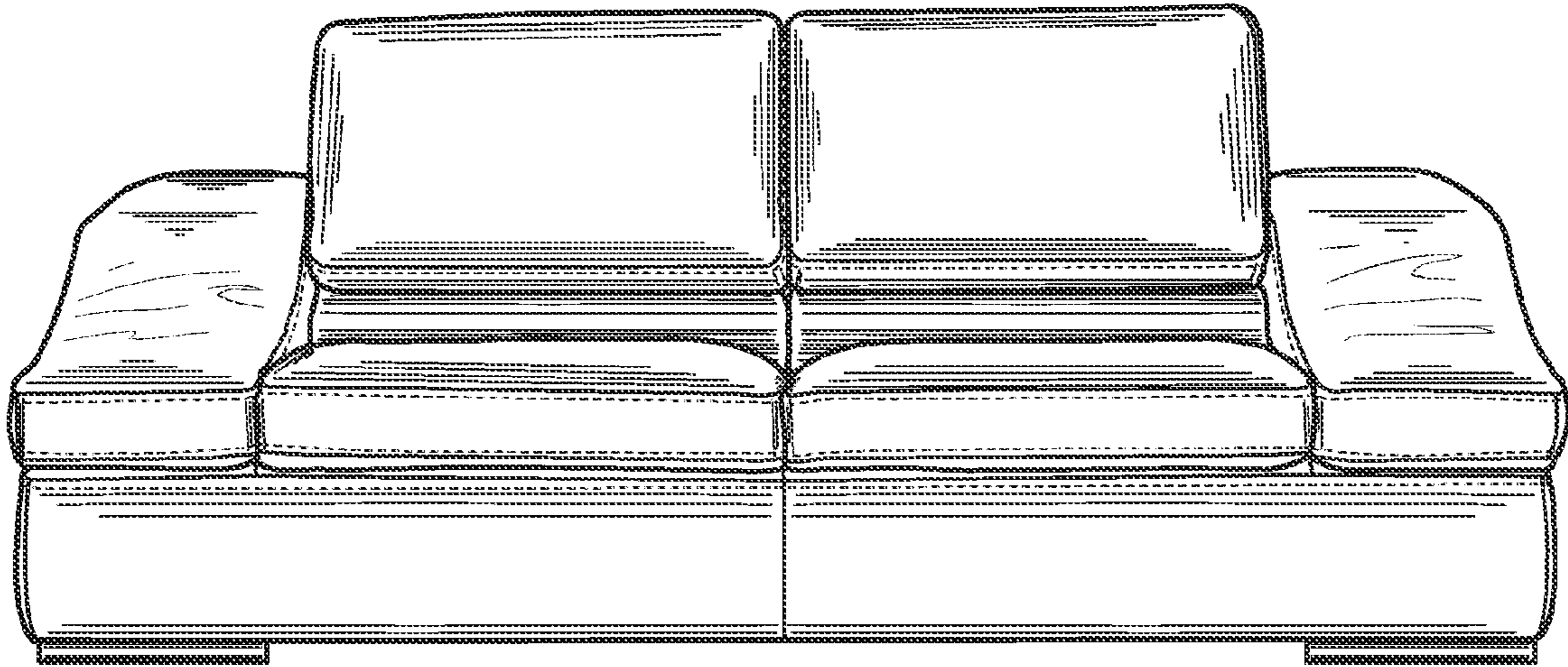


FIG. 3

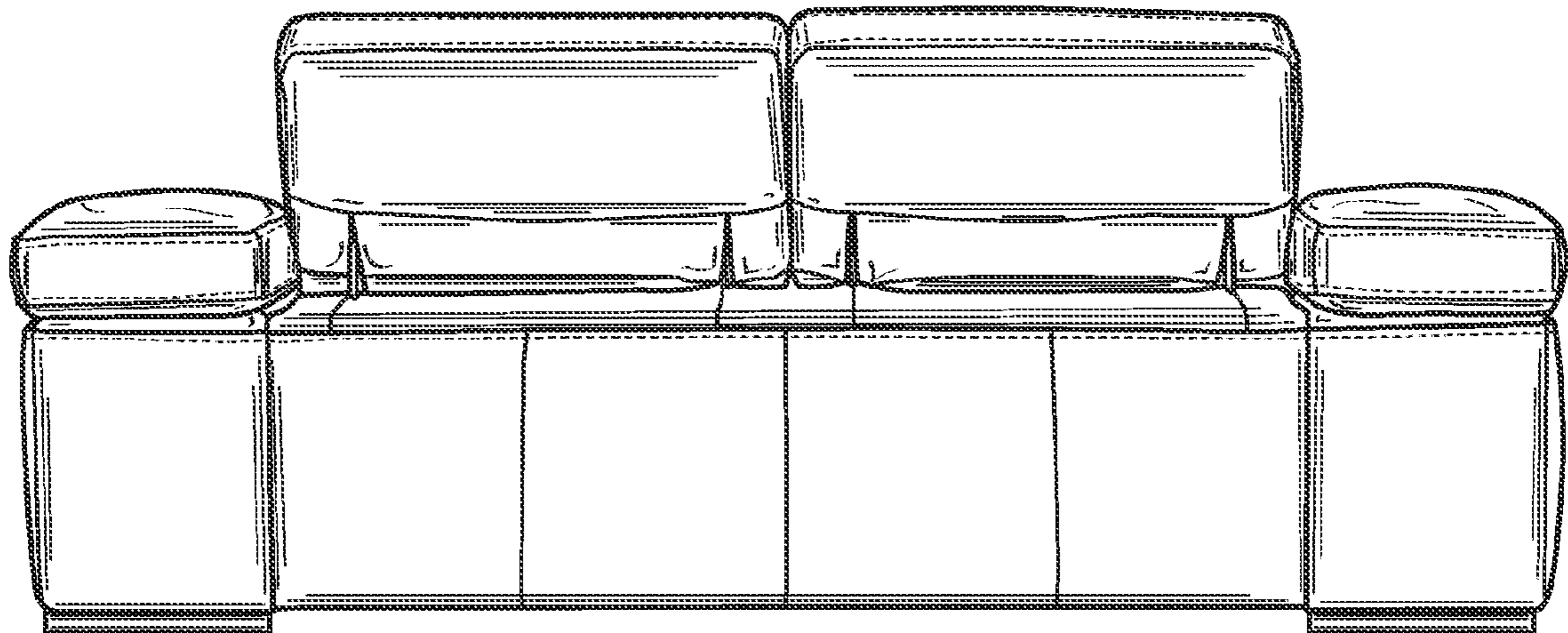


FIG. 4

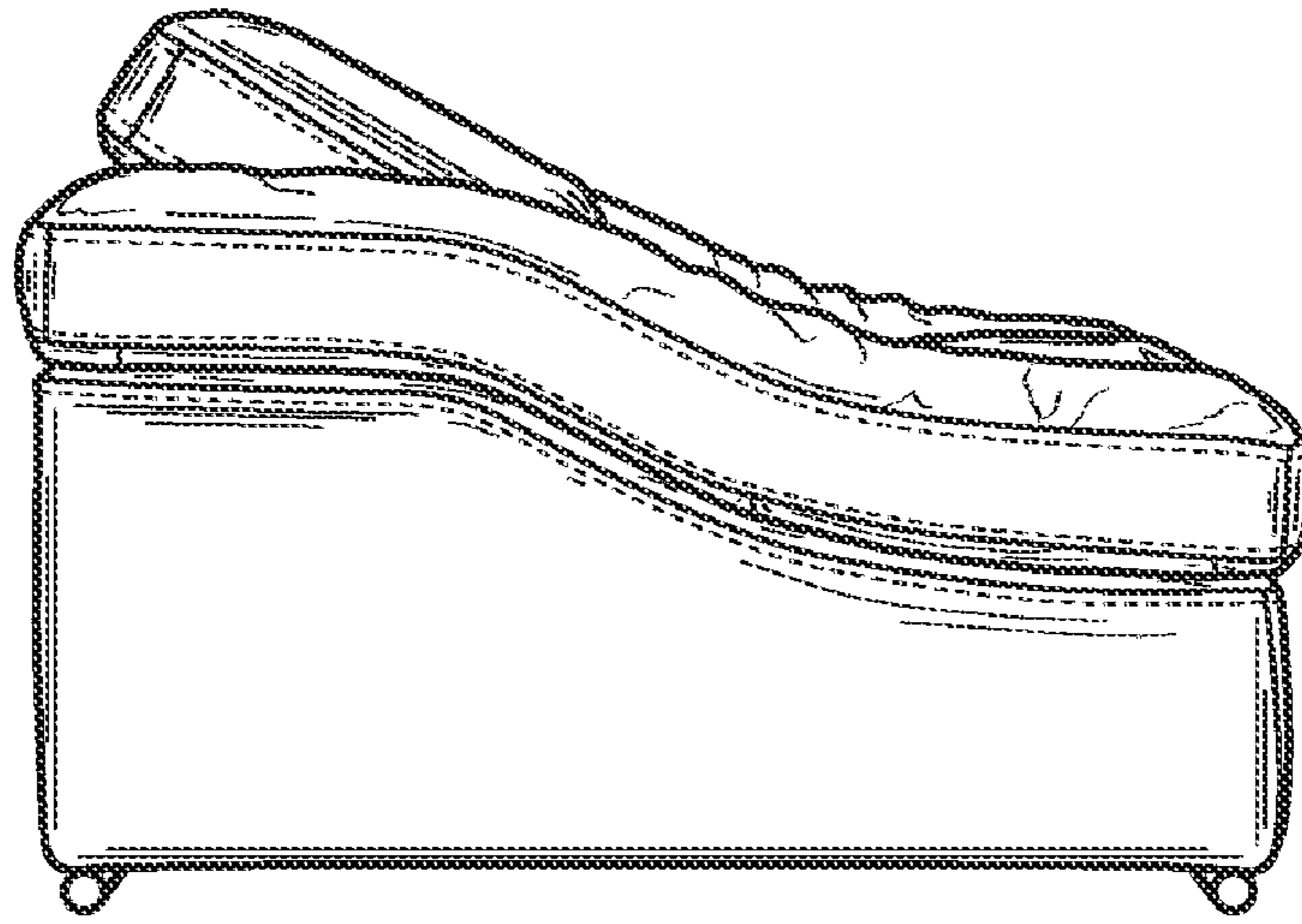


FIG. 5

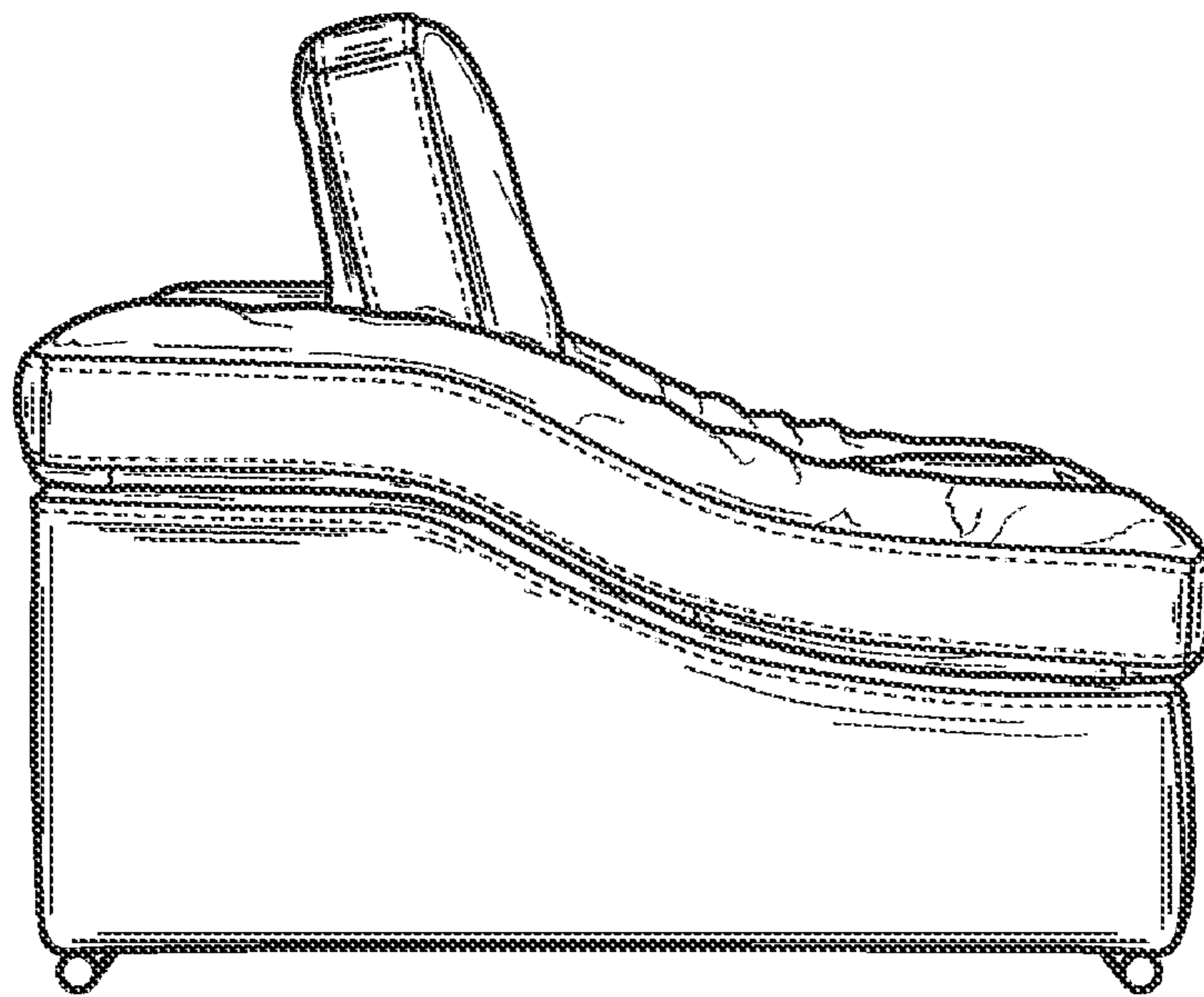


FIG. 6