



US00D617571S

(12) **United States Design Patent**
Andersen

(10) **Patent No.:** **US D617,571 S**
(45) **Date of Patent:** **** Jun. 15, 2010**

(54) **SOFA**

(75) Inventor: **Per Weiss Andersen**, Randers (DK)

(73) Assignee: **Innovation U.S.A., Inc.**, Hanover, MD (US)

(**) Term: **14 Years**

(21) Appl. No.: **29/341,185**

(22) Filed: **Jul. 31, 2009**

(51) **LOC (9) Cl.** **06-01**

(52) **U.S. Cl.** **D6/381**

(58) **Field of Classification Search** D6/334,
D6/349, 355, 359, 369, 370, 371, 381-383,
D6/491, 492, 500-503; 297/94, 181, 233,
297/234, 235, 283.2, 311, 351, 353, 354.1,
297/354.12, 354.13, 445.1, 451.1, 451.8,
297/451.9; 5/12.1, 12.2

See application file for complete search history.

(56) **References Cited**

U.S. PATENT DOCUMENTS

- D169,911 S * 6/1953 Netzer D6/381
- D170,088 S * 7/1953 Hoffman D6/381
- D175,877 S * 10/1955 Bartolucci D6/381
- 2,774,997 A * 12/1956 Zitomer 49/422
- D179,829 S * 3/1957 Garrigus, Sr. et al. D6/377
- 2,985,892 A * 5/1961 Garrigus, Sr. et al. 5/12.1
- D272,968 S * 3/1984 Fairaizen D6/381
- D273,254 S * 4/1984 Fairaizen D6/335
- D443,989 S * 6/2001 Gomez D6/335
- D444,305 S * 7/2001 Mourgue D6/335
- D446,962 S * 8/2001 Mourgue D6/381
- D455,282 S * 4/2002 Andersen et al. D6/381
- D498,075 S * 11/2004 Mourgue D6/381
- D520,260 S * 5/2006 Natuzzi D6/381
- D566,980 S * 4/2008 Mourgue D6/381
- D569,123 S * 5/2008 Rooz et al. D6/381
- D575,963 S * 9/2008 Gomez D6/381
- D583,585 S * 12/2008 Weiss D6/381

(Continued)

Primary Examiner—Sandra Snapp

(74) *Attorney, Agent, or Firm*—Miles & Stockbridge PC;
James T. Carmichael; Michael A. Minter

(57) **CLAIM**

The ornamental design for a sofa, as shown and described.

DESCRIPTION

FIG. 1 is a front left perspective view of the sofa in a reclined position;

FIG. 2 is a front right perspective view thereof;

FIG. 3 is a front view thereof;

FIG. 4 is a rear view thereof;

FIG. 5 is a left view thereof;

FIG. 6 is a right view thereof;

FIG. 7 is a top view thereof;

FIG. 8 is a bottom view thereof;

FIG. 9 is a front left perspective view of the sofa in a partially reclined position;

FIG. 10 is a front right perspective view thereof;

FIG. 11 is a front view thereof;

FIG. 12 is a rear view thereof;

FIG. 13 is a left view thereof;

FIG. 14 is a right view thereof;

FIG. 15 is a top view thereof;

FIG. 16 is a bottom view thereof;

FIG. 17 is a front left perspective view of the sofa in an upright position;

FIG. 18 is a front right perspective view thereof;

FIG. 19 is a front view thereof;

FIG. 20 is a rear view thereof;

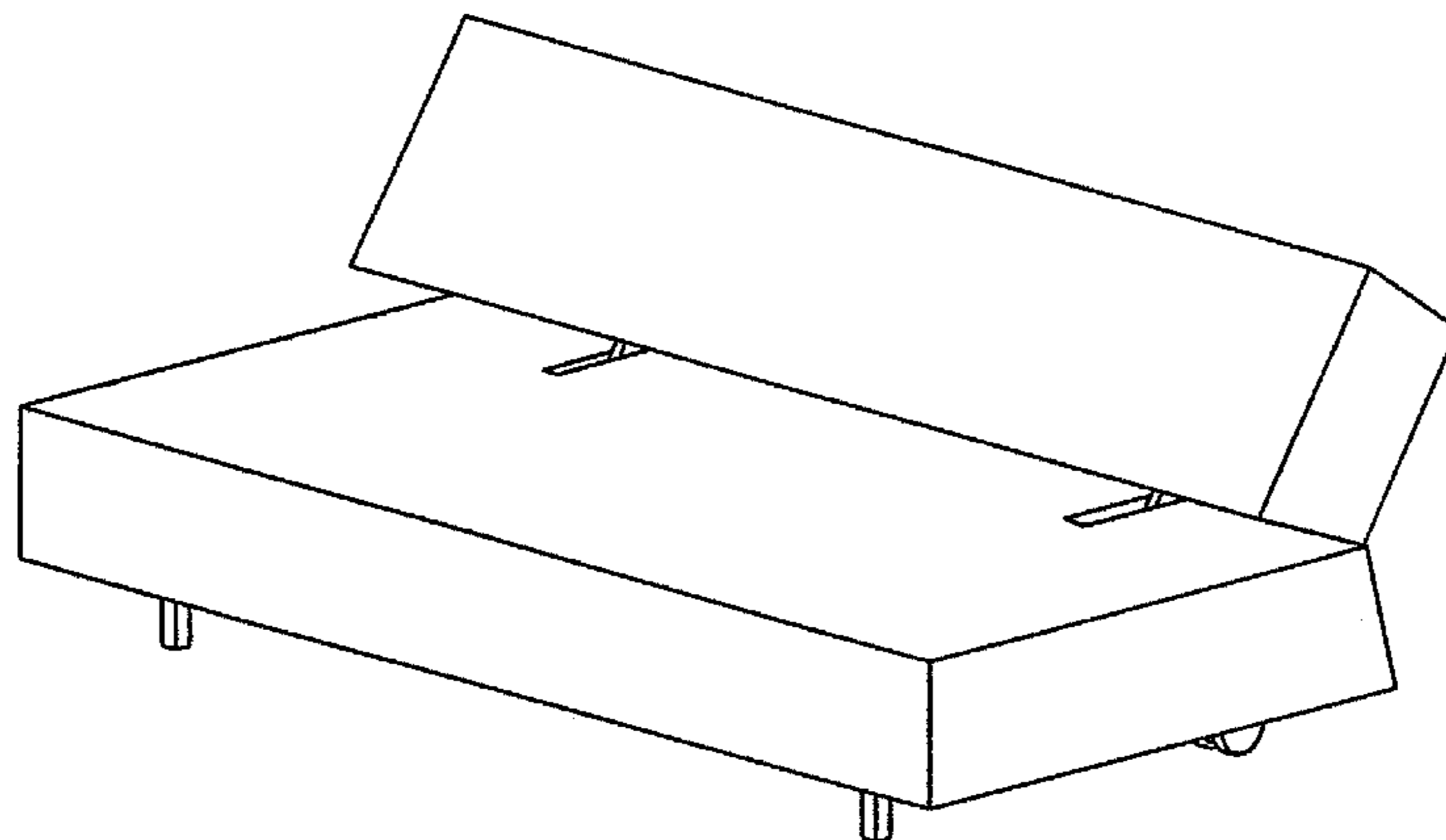
FIG. 21 is a left view thereof;

FIG. 22 is a right view thereof;

FIG. 23 is a top view thereof; and,

FIG. 24 is a bottom view thereof.

1 Claim, 18 Drawing Sheets



US D617,571 S

Page 2

U.S. PATENT DOCUMENTS

D591,071 S	*	4/2009	Weiss	D6/381	D603,618 S	*	11/2009	Weiss	D6/381
D591,970 S	*	5/2009	Weiss	D6/381	D603,619 S	*	11/2009	Weiss	D6/381
D592,416 S	*	5/2009	Weiss	D6/381	D604,957 S	*	12/2009	Weiss	D6/381
D603,617 S	*	11/2009	Weiss	D6/381						

* cited by examiner

FIG. 1

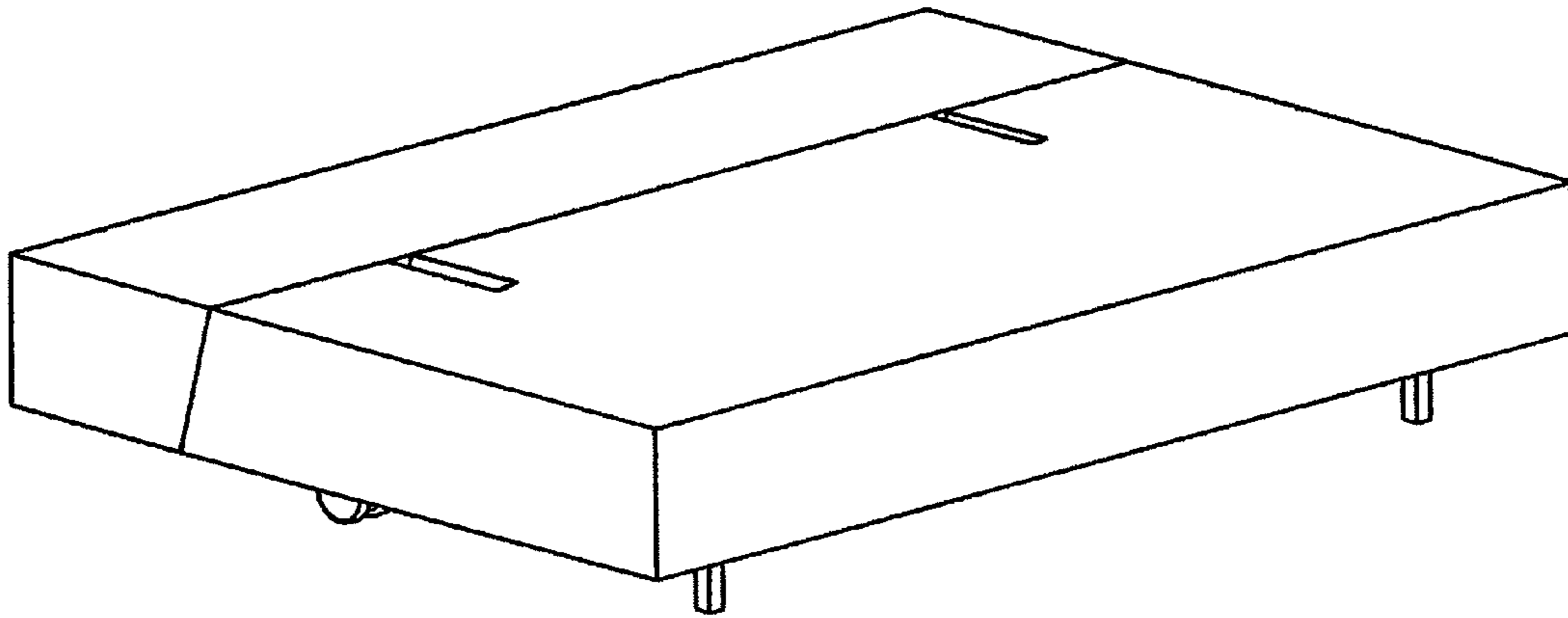


FIG. 2

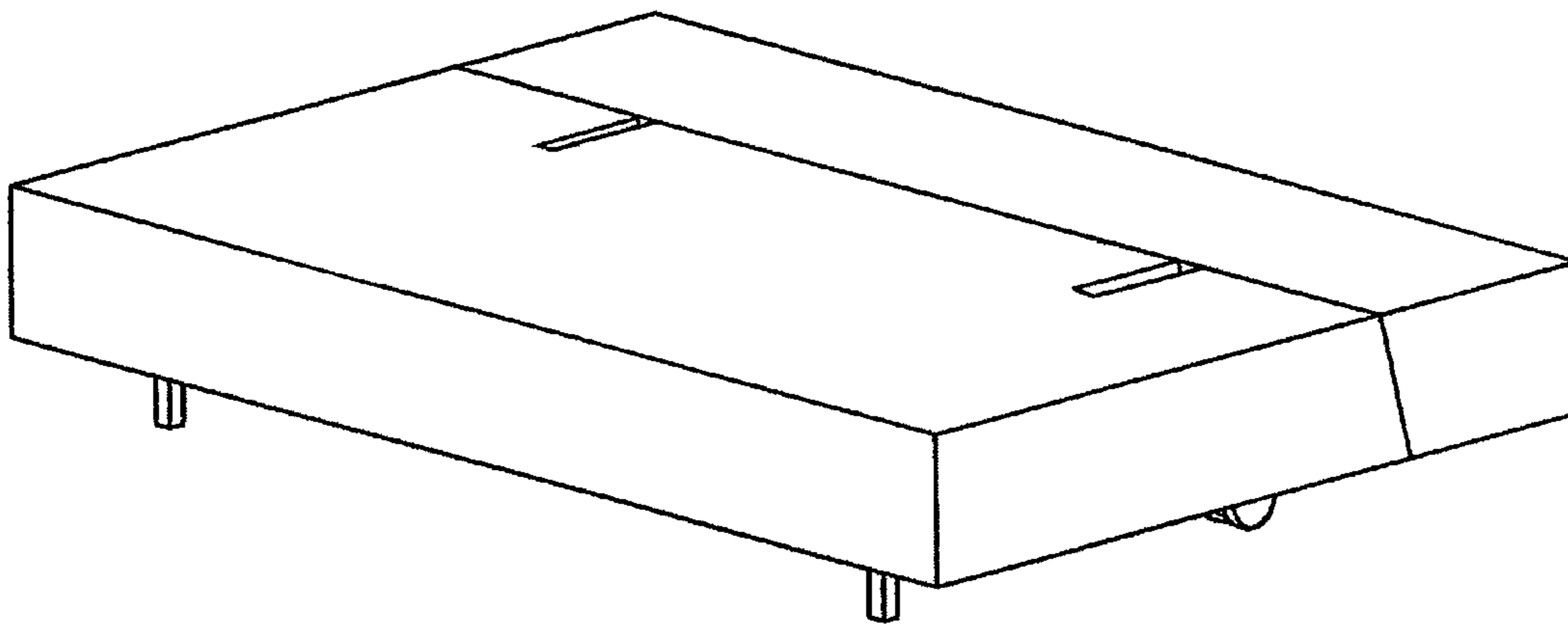


FIG. 3

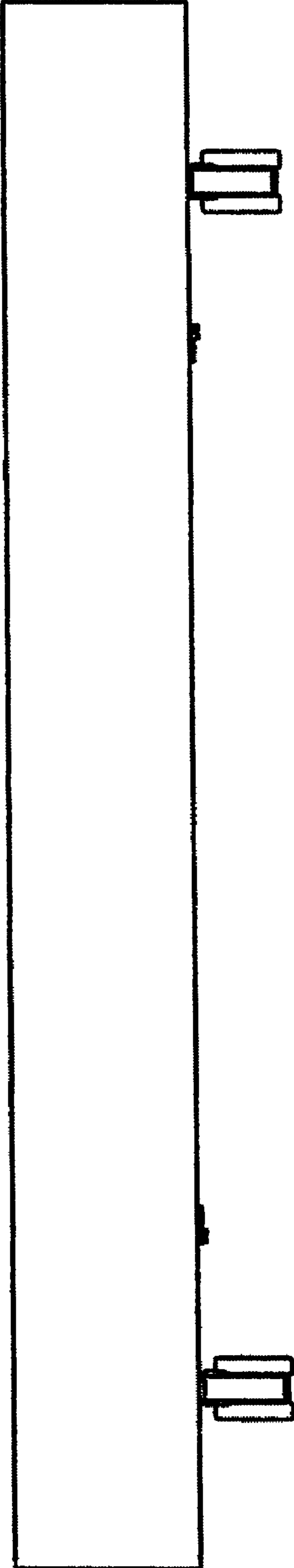


FIG. 4

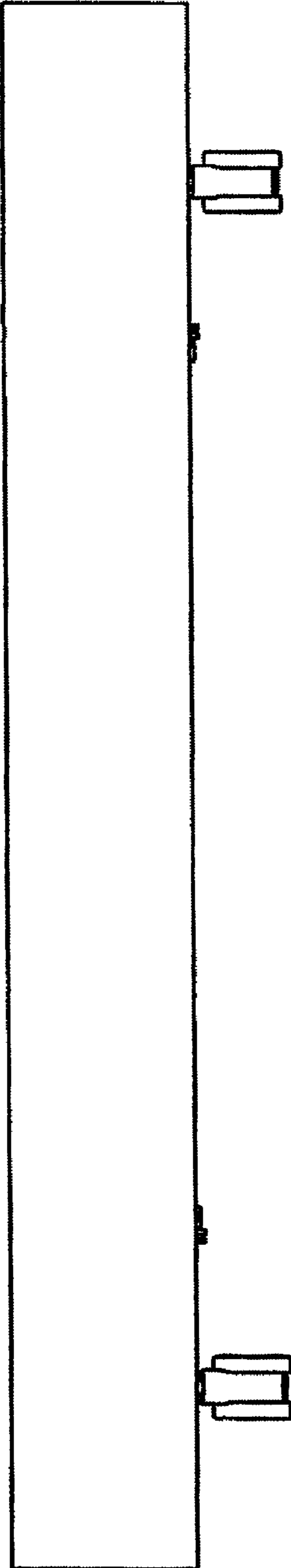


FIG. 5

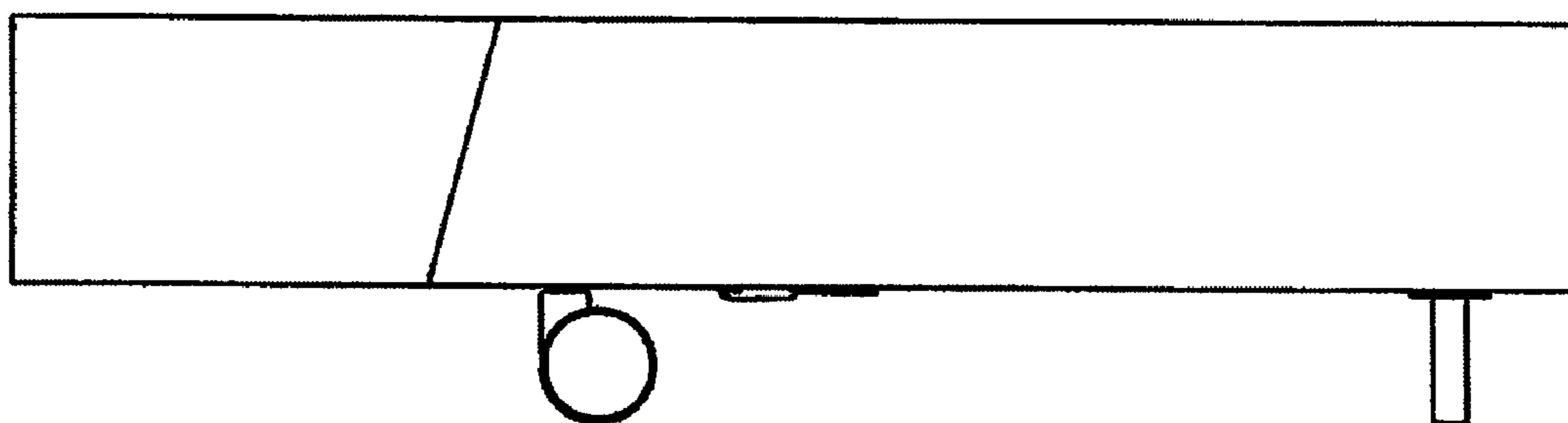


FIG. 6

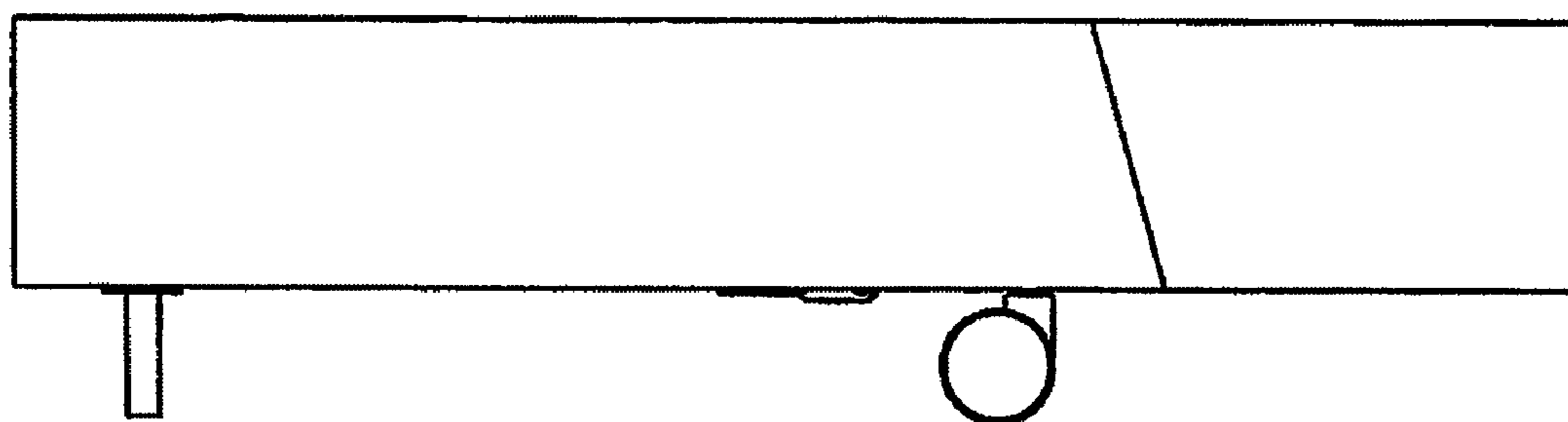


FIG. 7

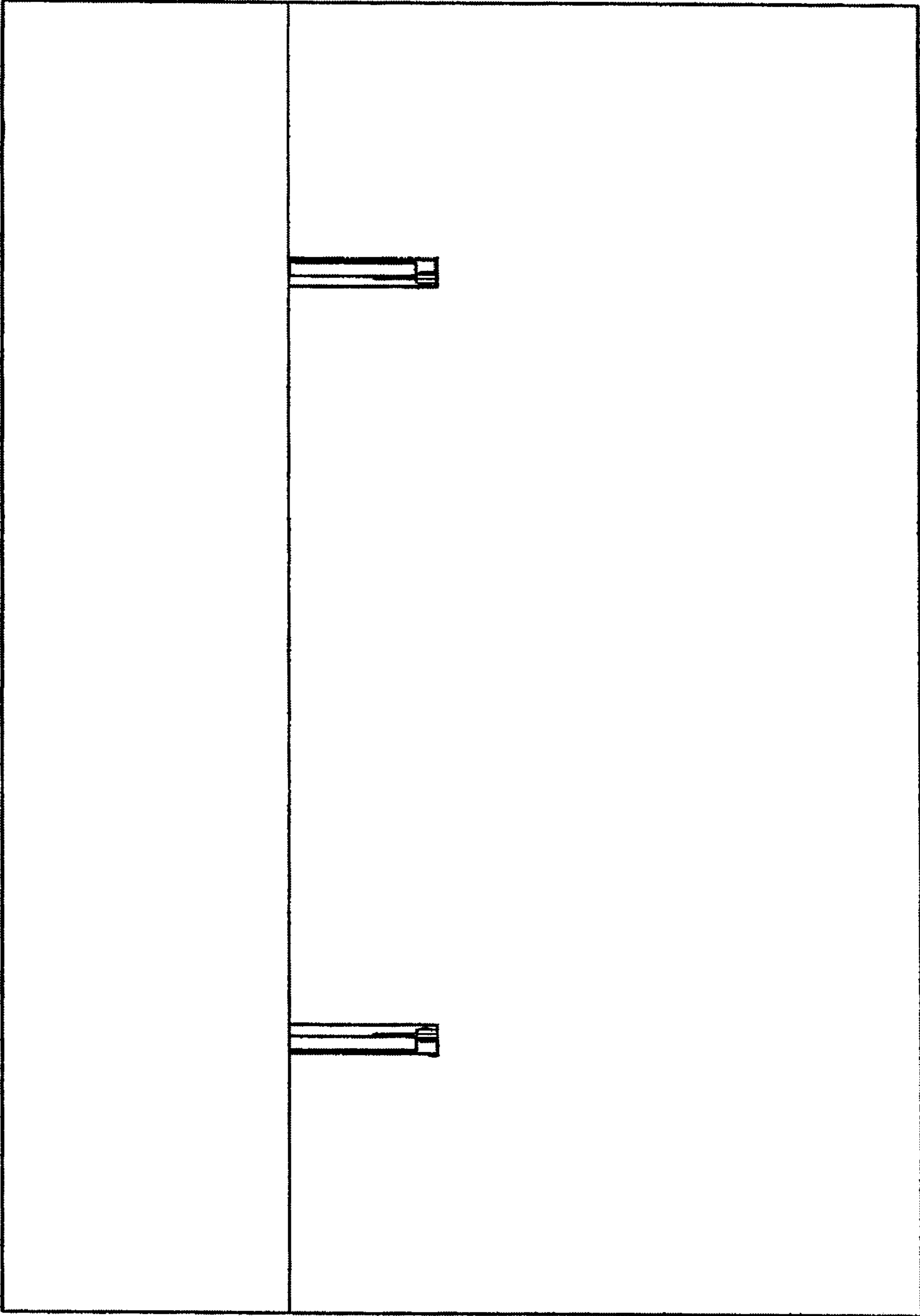


FIG. 8

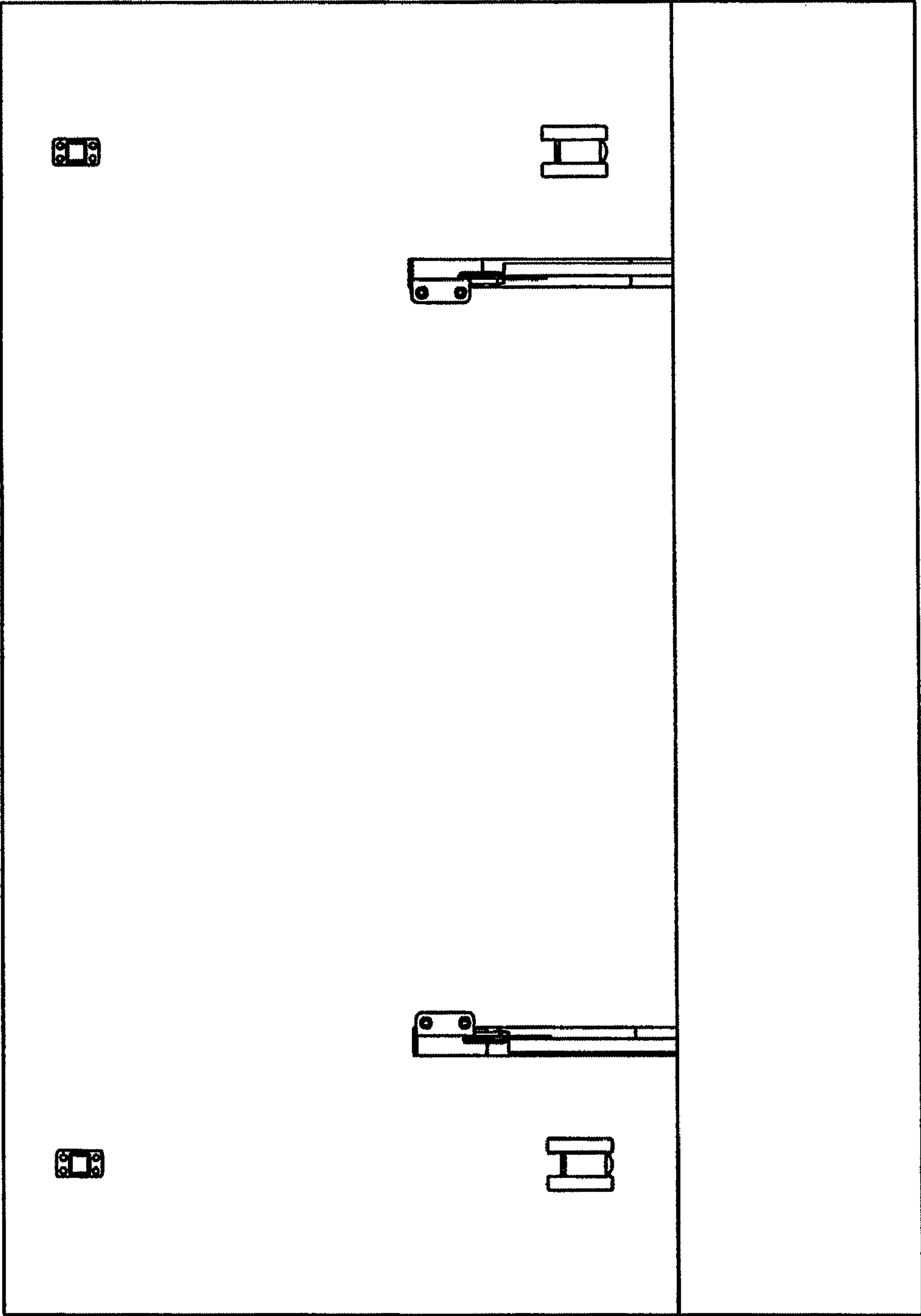


FIG. 9

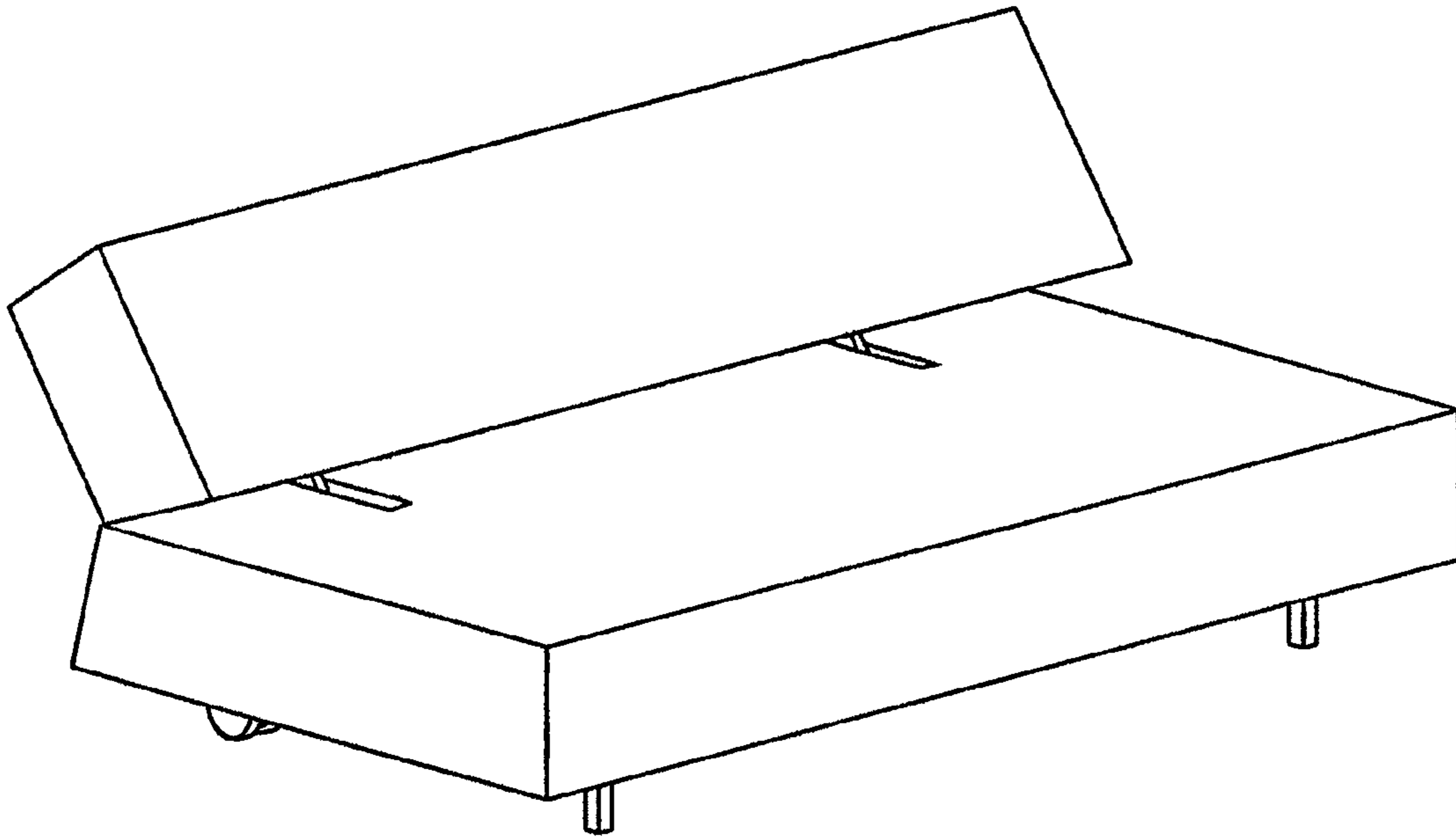


FIG. 10

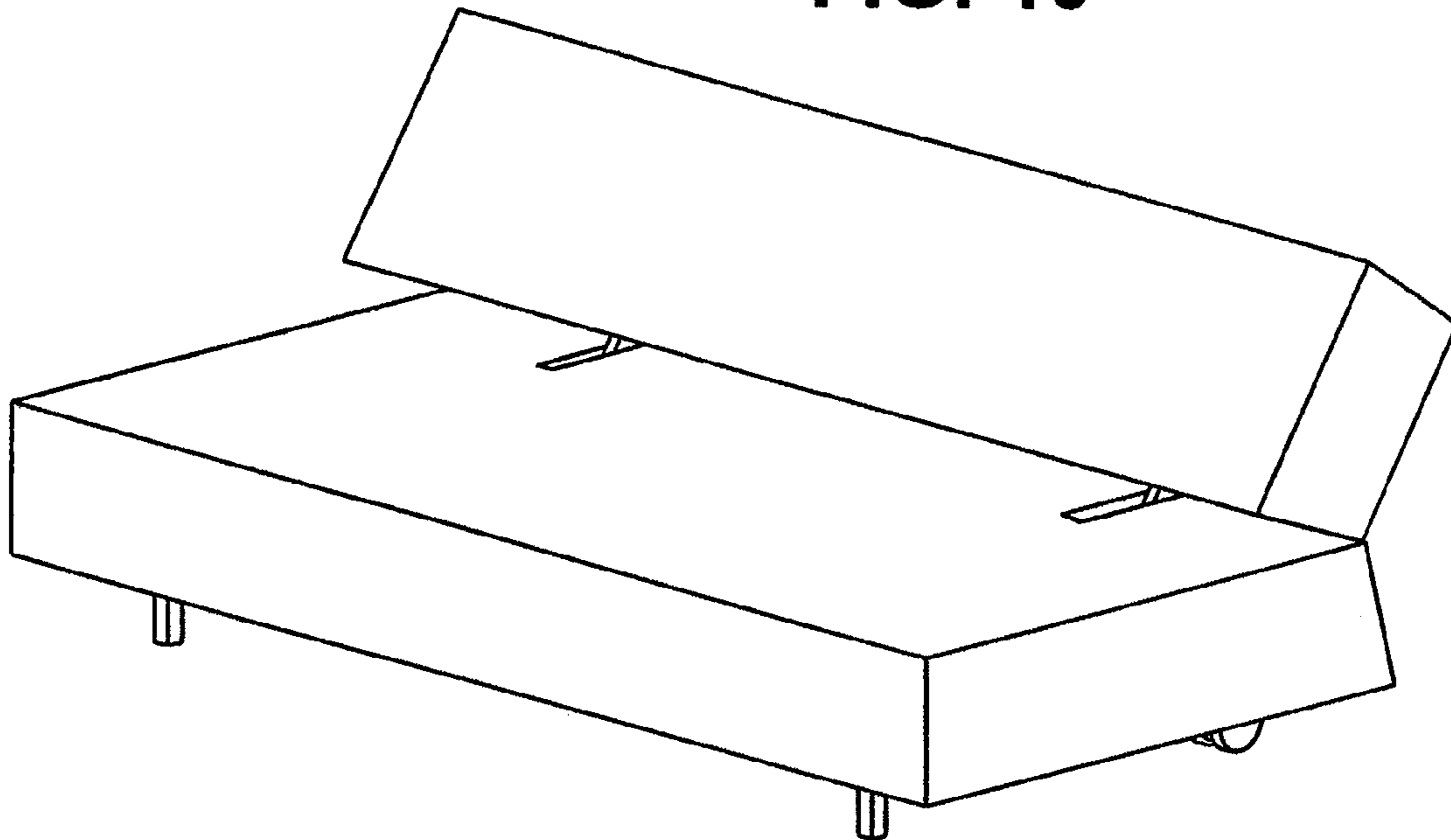


FIG. 11

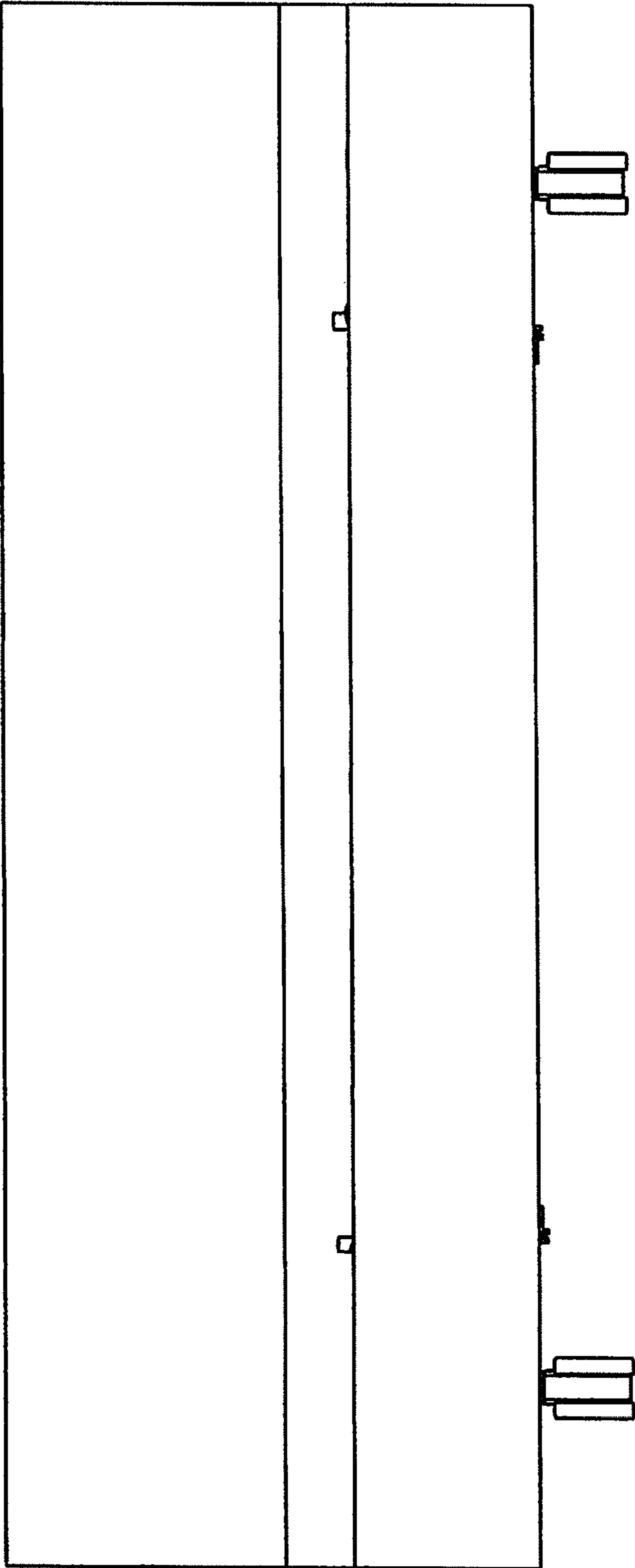


FIG. 12

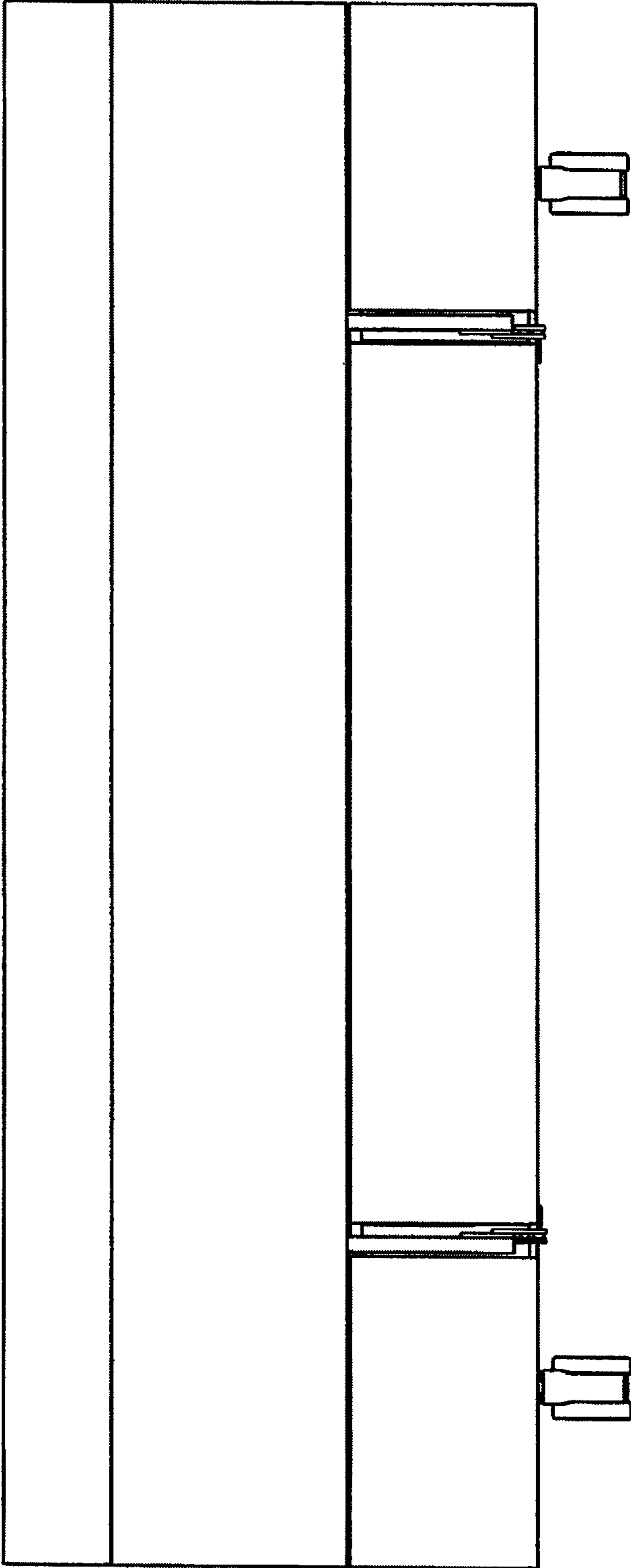


FIG. 13

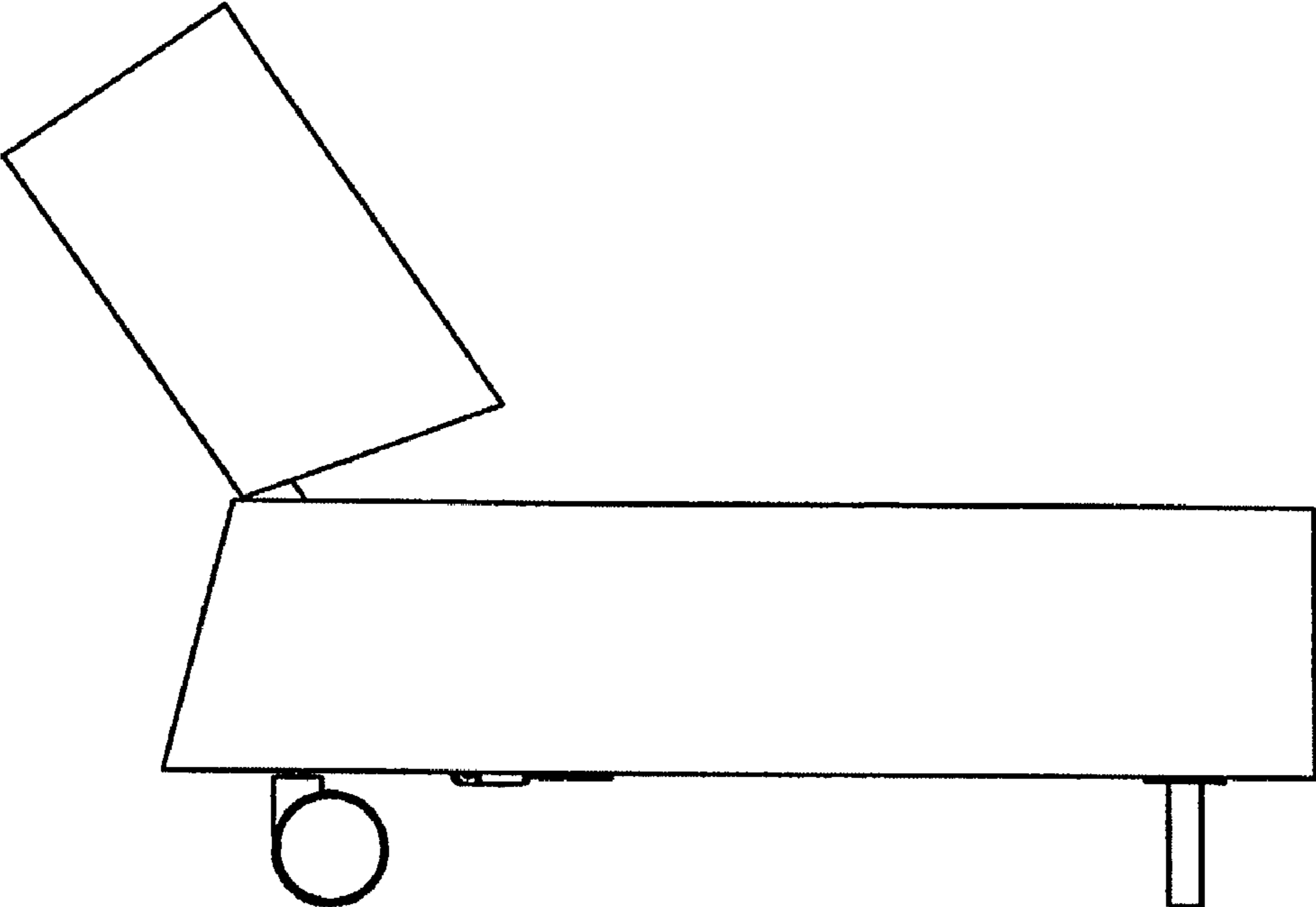


FIG. 14

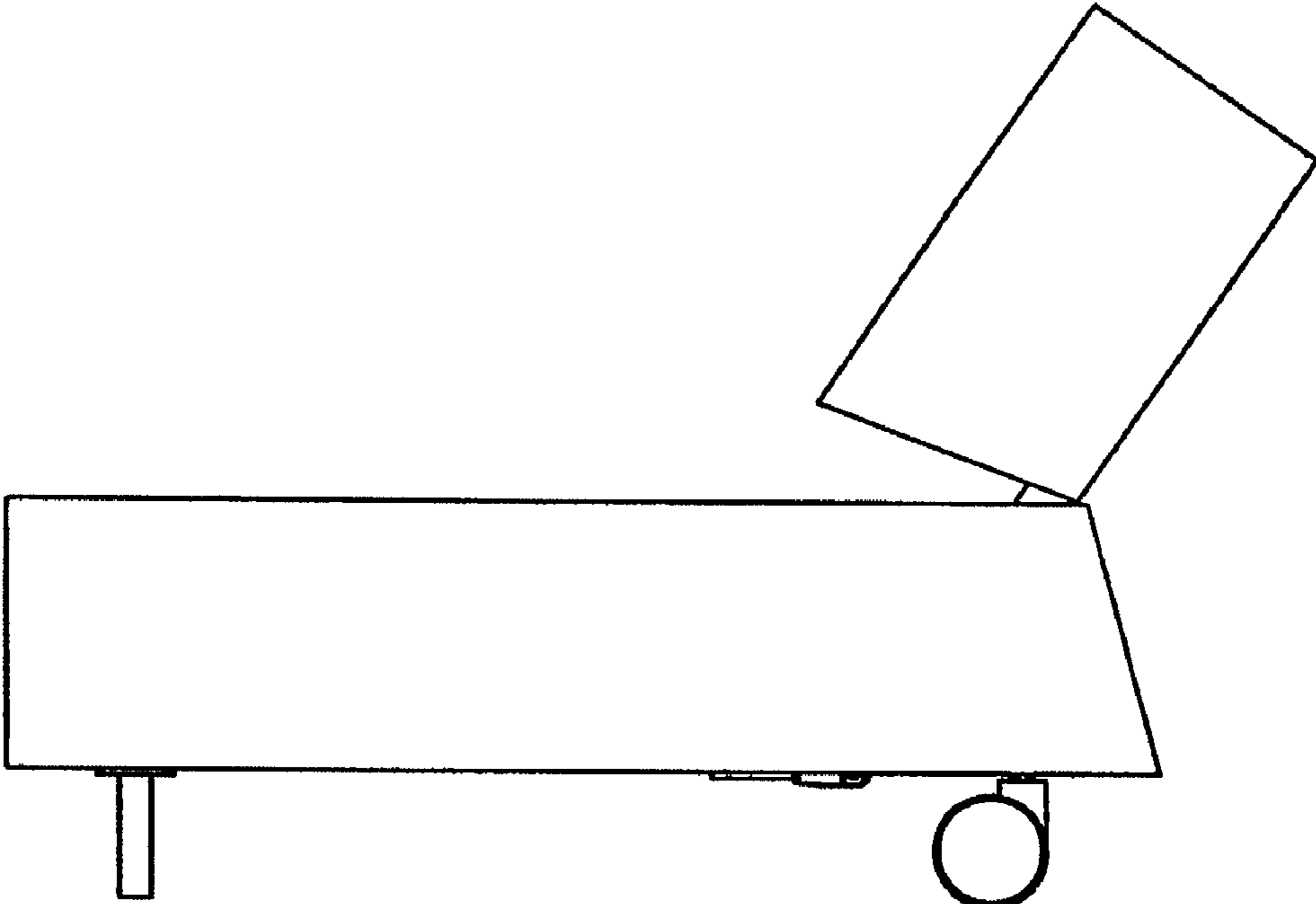


FIG. 15

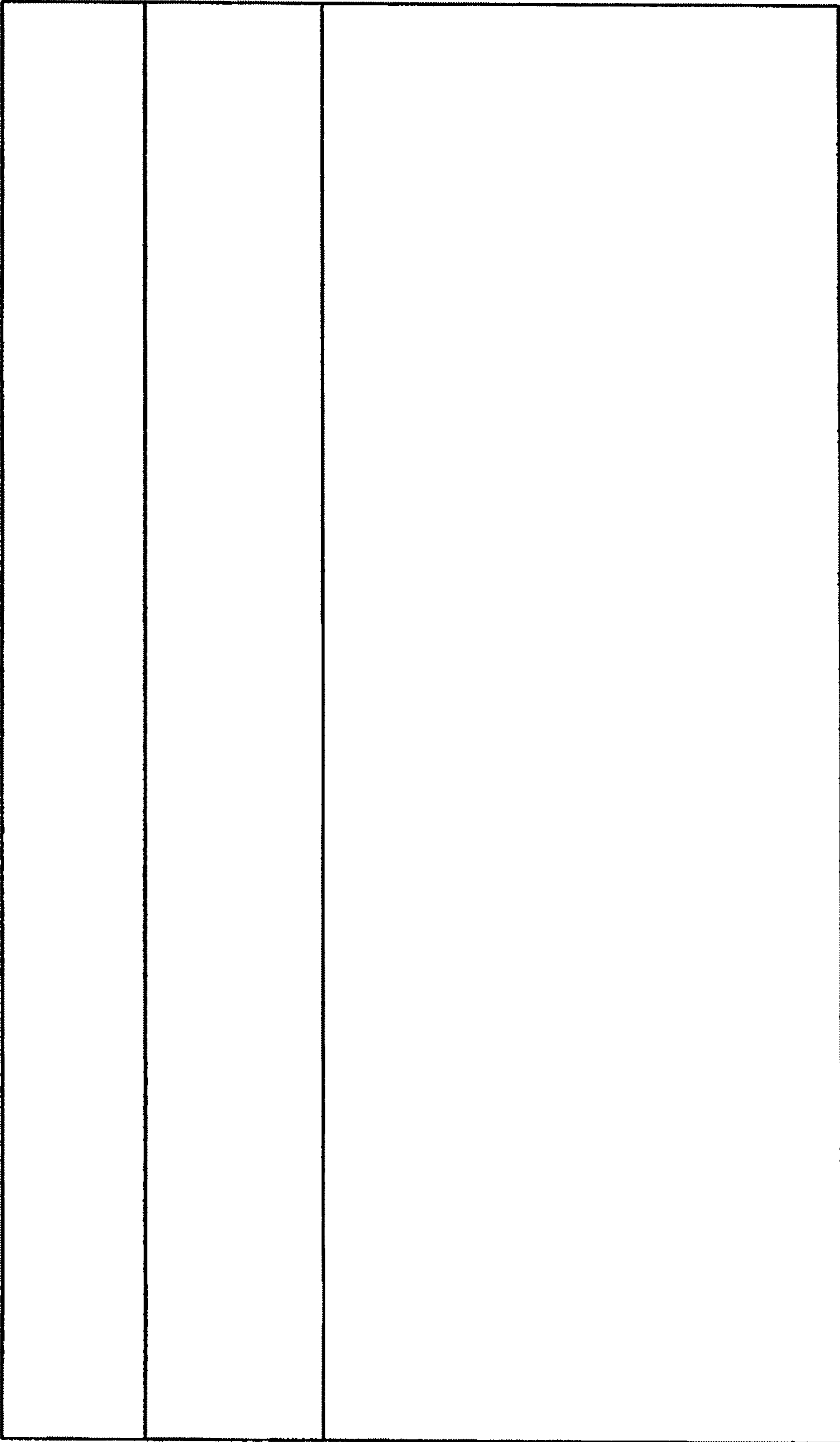


FIG. 16

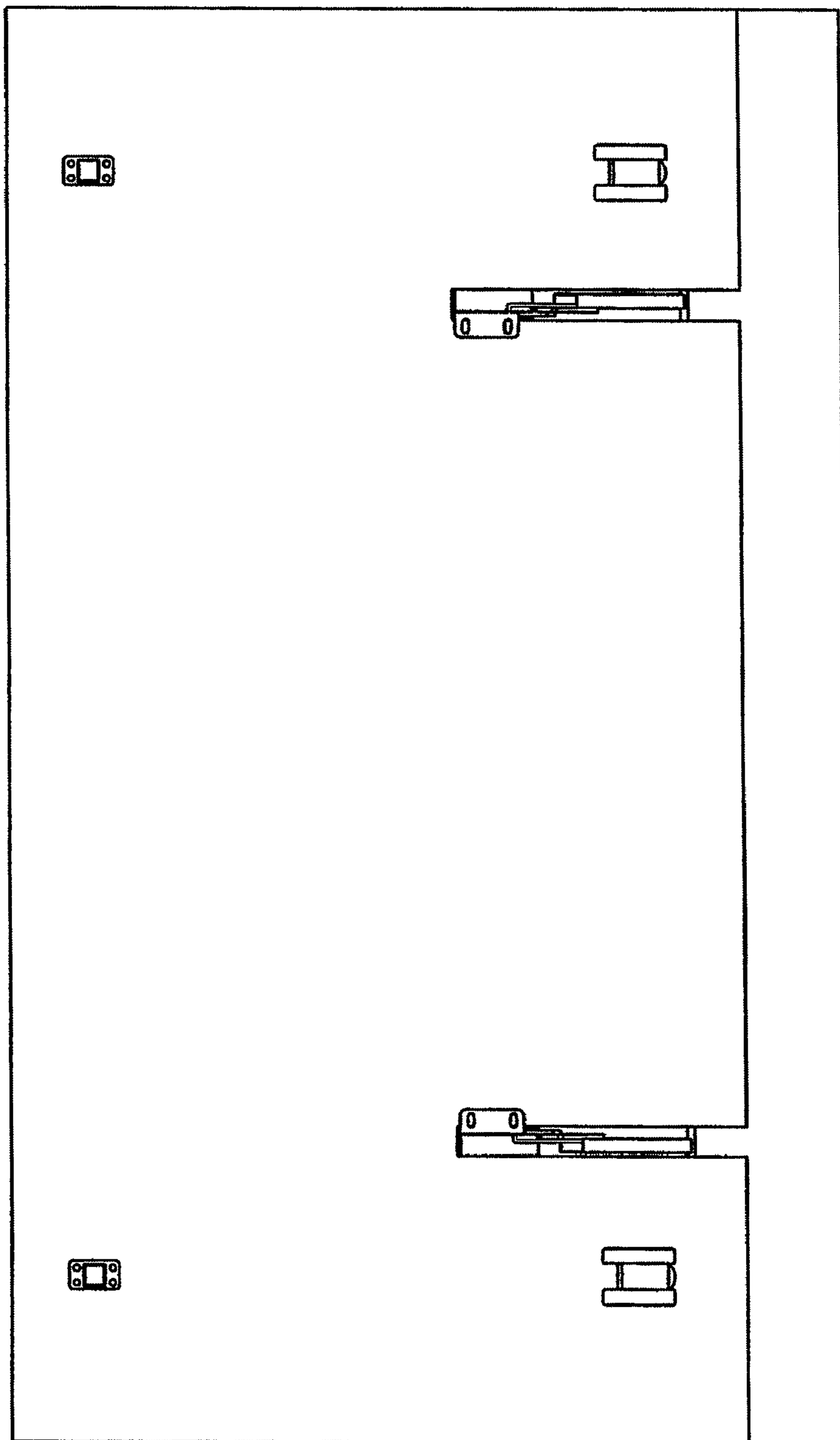


FIG. 17

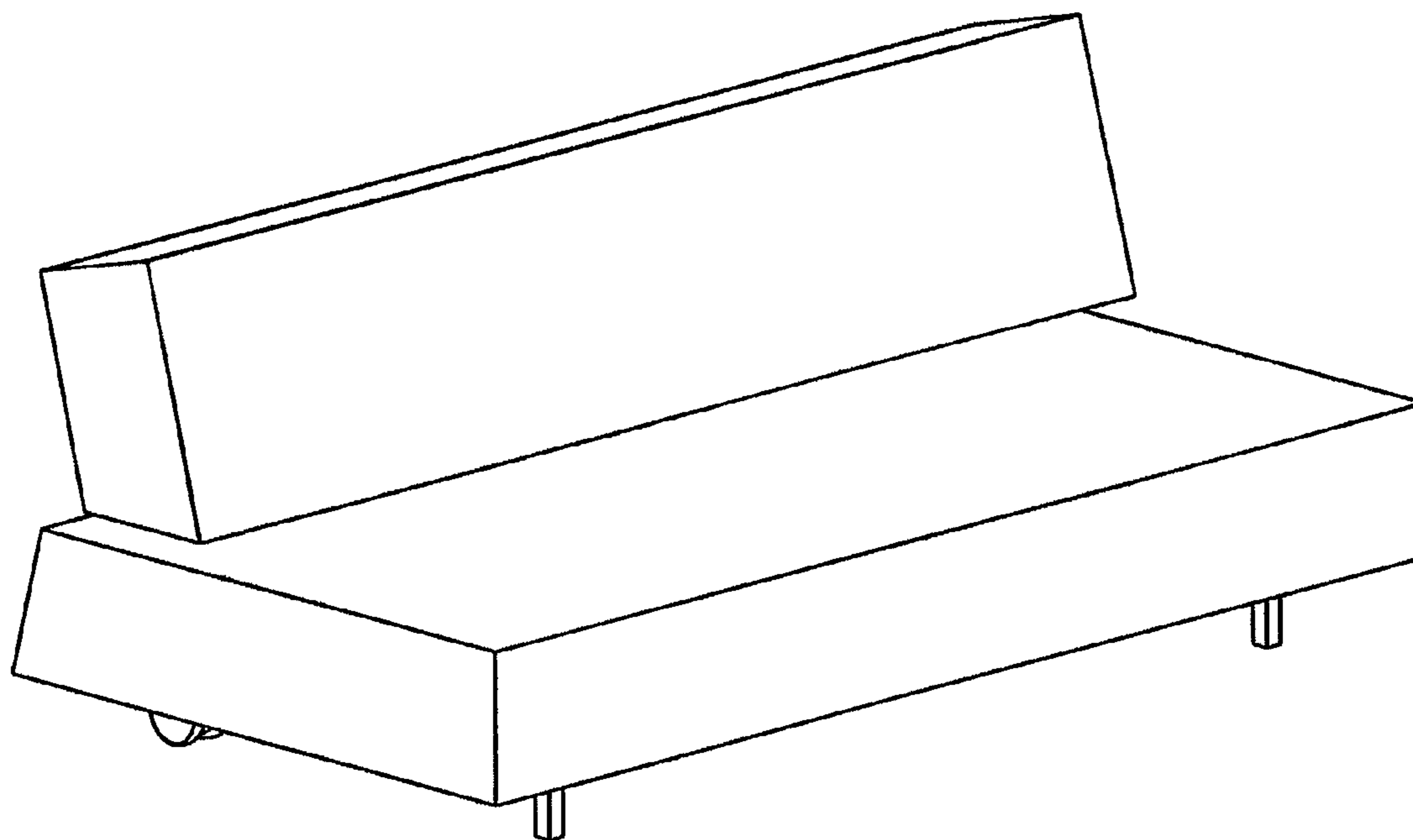


FIG. 18

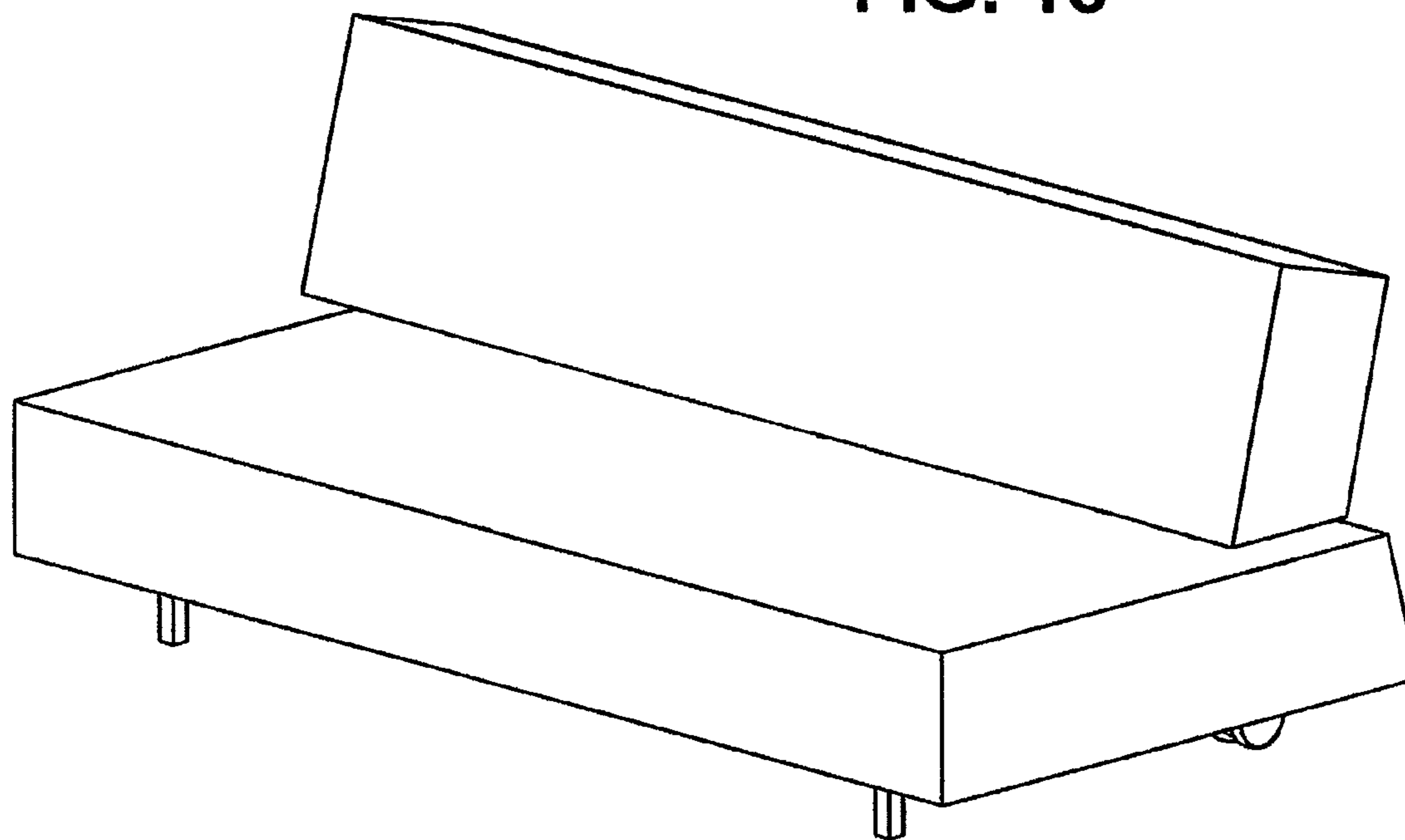


FIG. 19

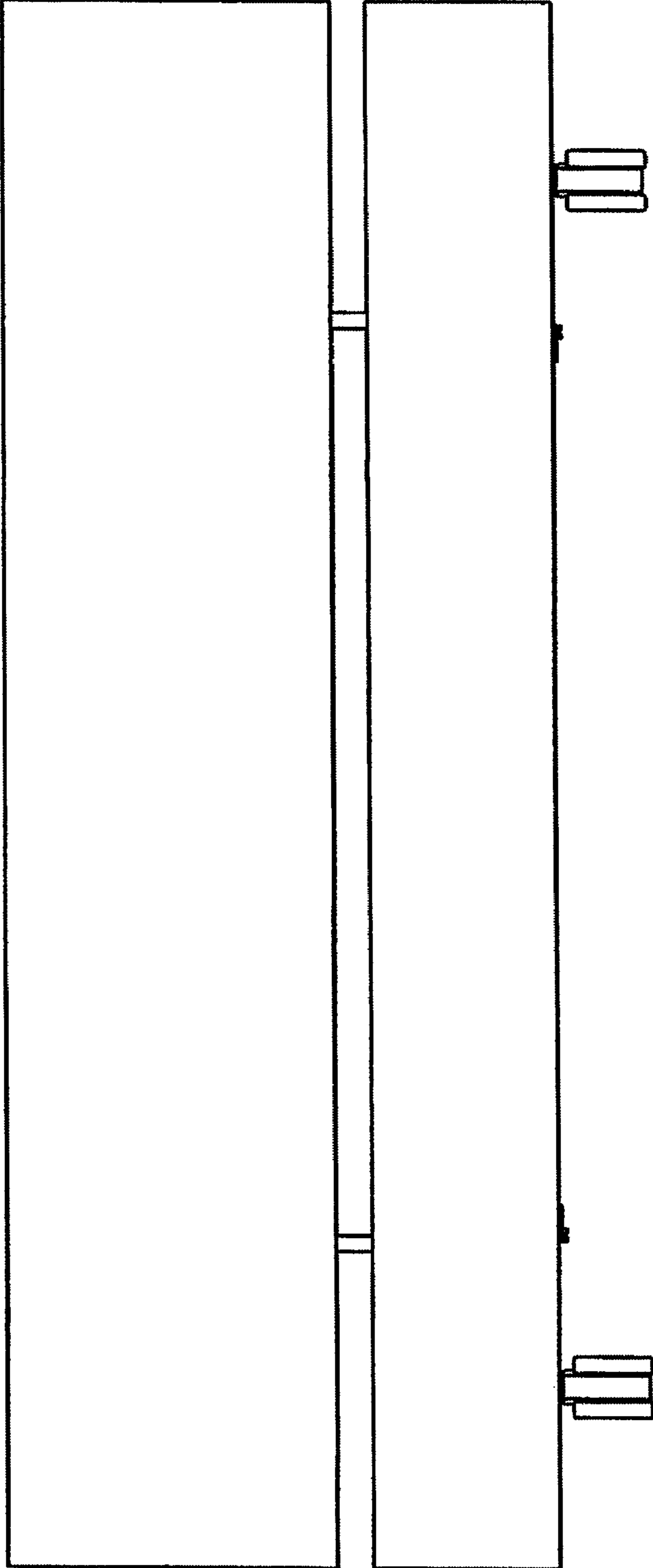


FIG. 20

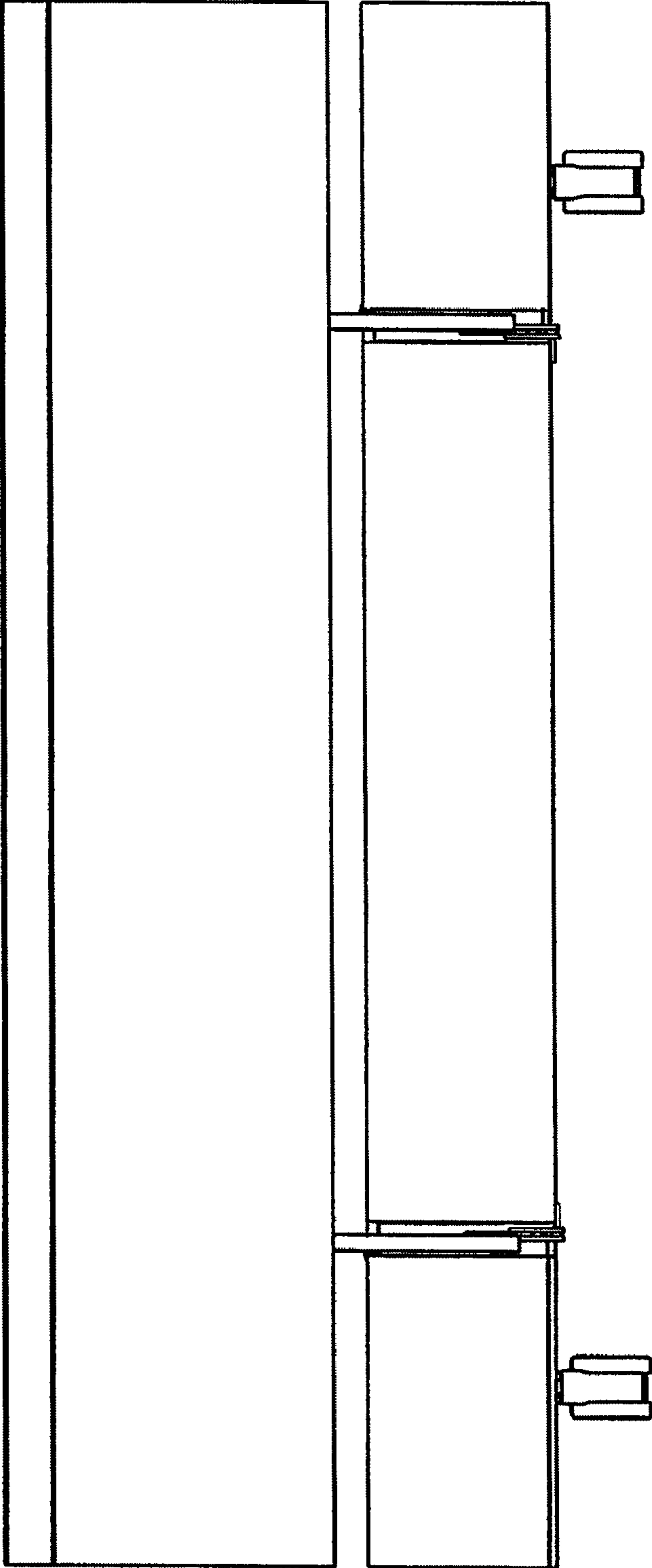


FIG. 21

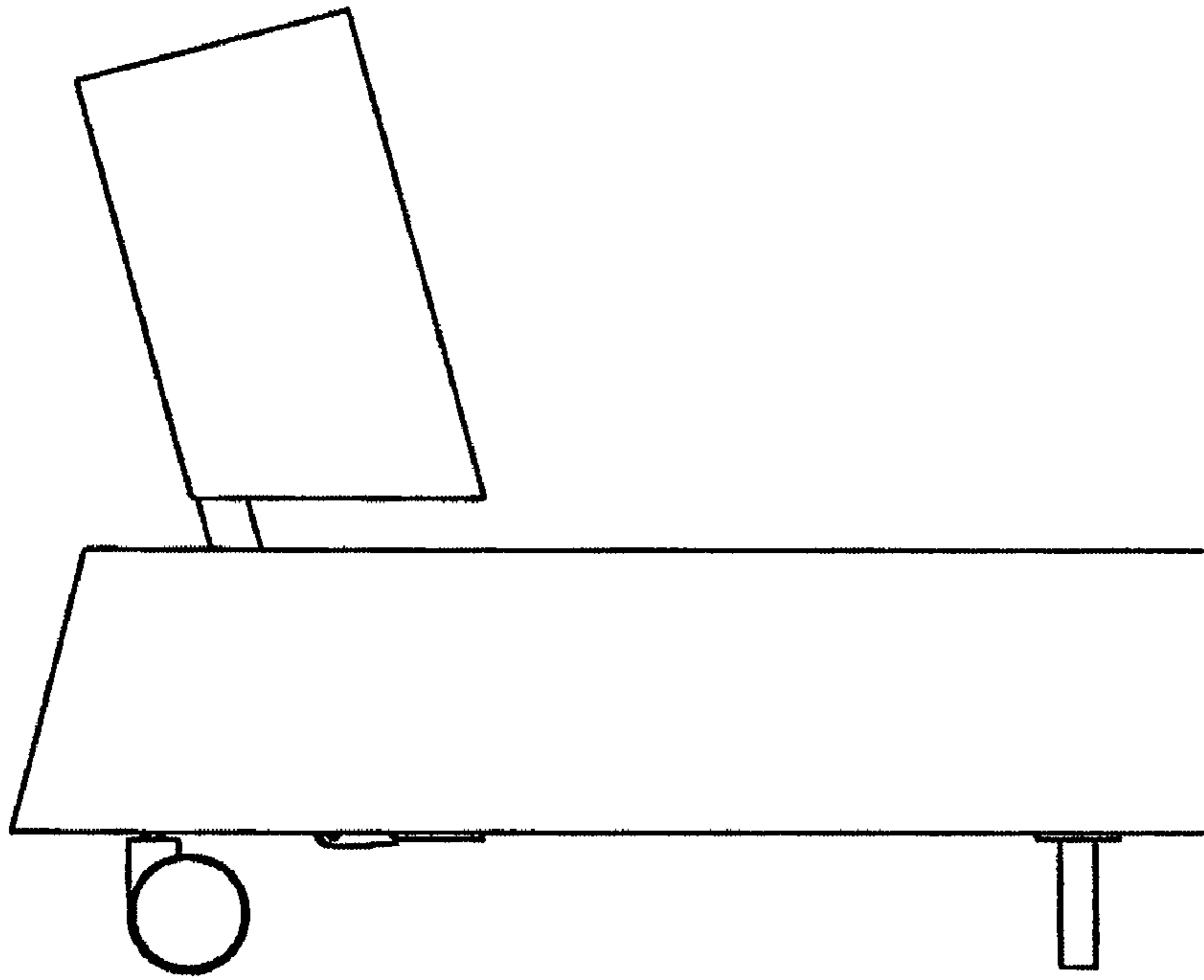


FIG. 22

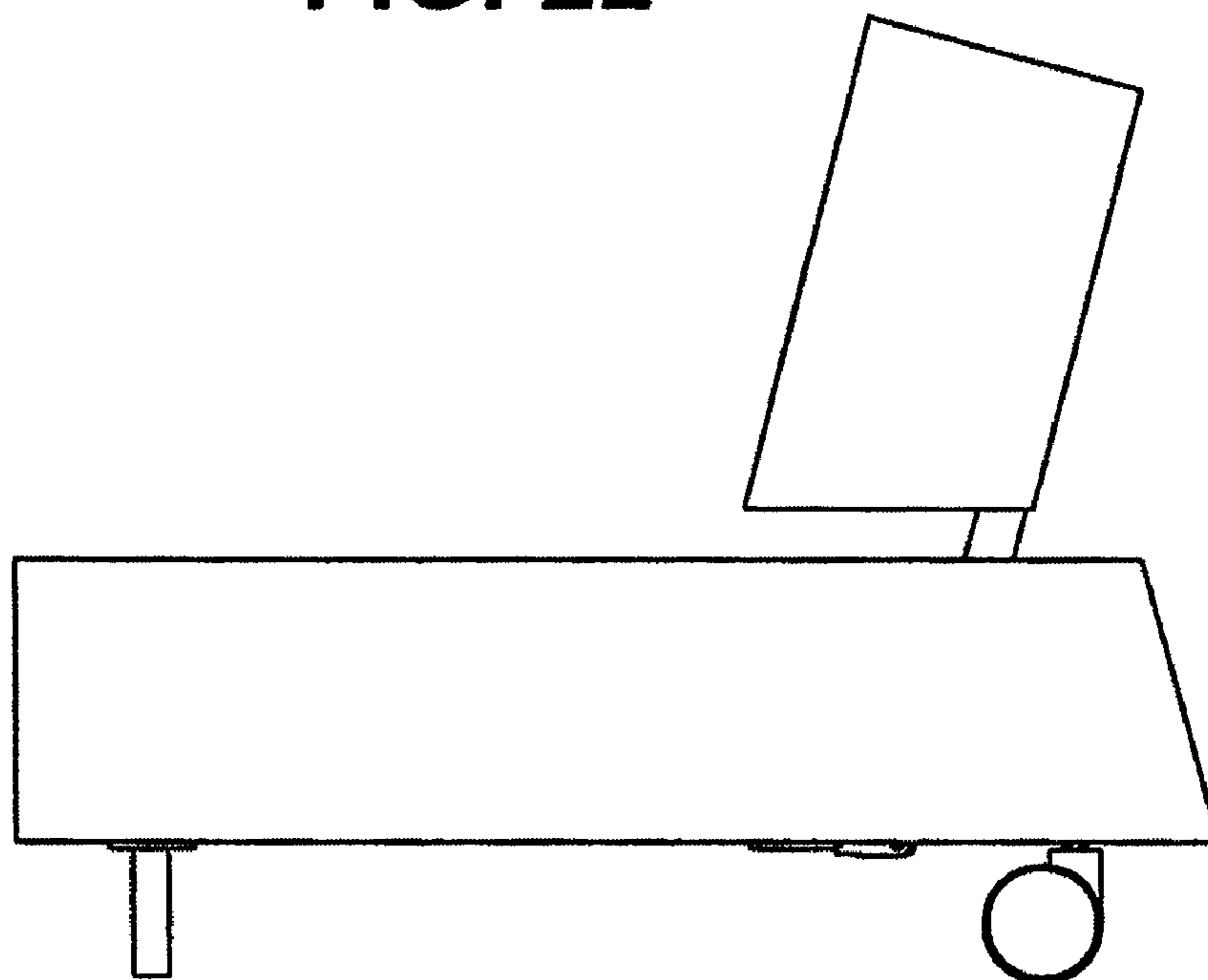


FIG. 23

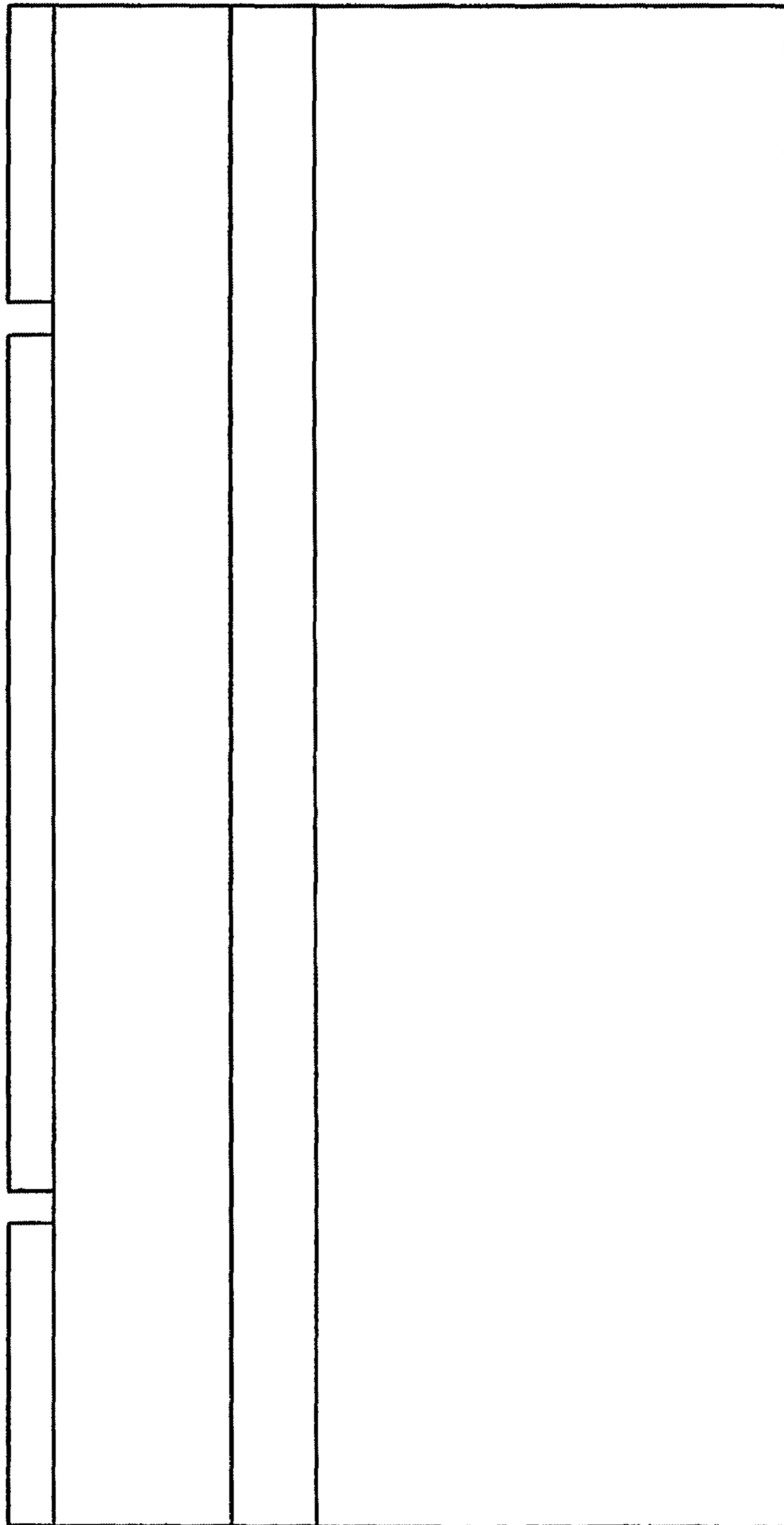


FIG. 24

