



US00D617566S

(12) **United States Design Patent**  
**Barnes, Jr.**

(10) **Patent No.:** **US D617,566 S**  
(45) **Date of Patent:** **\*\* Jun. 15, 2010**

(54) **HANGER CLIP**

D536,883 S \* 2/2007 Wu ..... D6/328

(75) Inventor: **John M. Barnes, Jr.**, Rock Hill, SC  
(US)

\* cited by examiner

*Primary Examiner*—Shanda C Hill

(73) Assignee: **Drink Clip, LLC**, Rock Hill, SC (US)

(74) *Attorney, Agent, or Firm*—Schwartz Law Firm, P.C.

(\*\*) Term: **14 Years**

(57) **CLAIM**

(21) Appl. No.: **29/316,254**

I claim the ornamental design for a hanger clip, as shown and described.

(22) Filed: **Sep. 8, 2009**

**DESCRIPTION**

(51) **LOC (9) Cl.** ..... **06-08**

(52) **U.S. Cl.** ..... **D6/328**

(58) **Field of Classification Search** ..... D6/315,  
D6/328; 223/85-98; 40/316, 322; 211/1,  
211/13.1, 85.3, 86.01, 183

See application file for complete search history.

FIG. 1 is a perspective view of a hanger clip showing my new design;

FIG. 2 is a front perspective view of the hanger clip;

FIG. 3 is a back perspective view of the hanger clip;

FIG. 4 is a top view of the hanger clip;

FIG. 5 is a front view of the hanger clip;

FIG. 6 is a bottom view of the hanger clip;

FIG. 7 is a left side view of the hanger clip;

FIG. 8 is a back view of the hanger clip; and,

FIG. 9 is a right side view of the hanger clip.

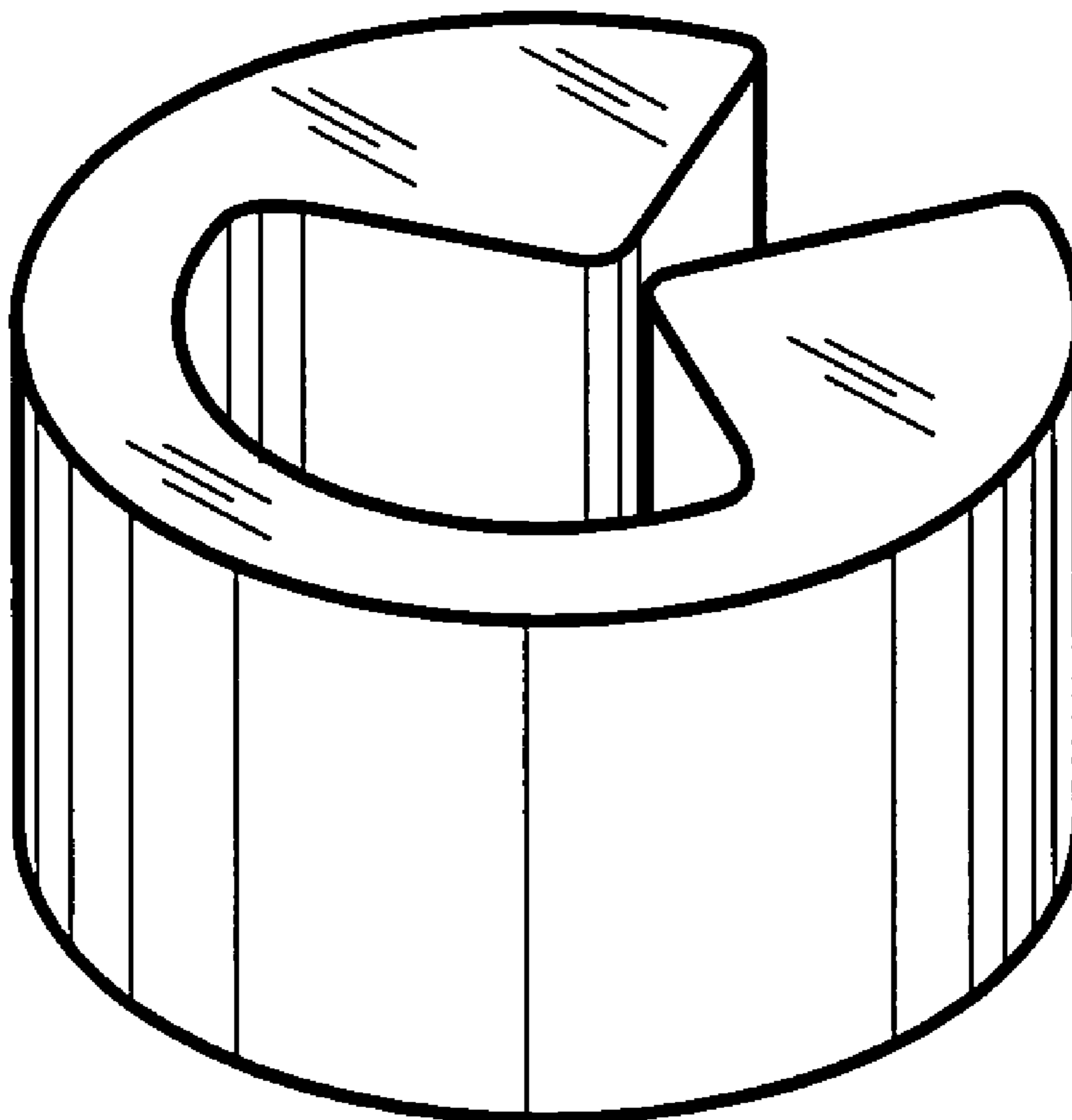
The broken lines shown in the drawing disclosure are for illustrative purposes only and form no part of the claimed design.

(56) **References Cited**

**U.S. PATENT DOCUMENTS**

D421,683 S *	3/2000	Willardson	.....	D6/328
D421,848 S *	3/2000	Willardson	.....	D6/328
D421,849 S *	3/2000	Willardson	.....	D6/328
D421,850 S *	3/2000	Willardson	.....	D6/328
D422,153 S *	4/2000	Willardson	.....	D6/328
D423,798 S *	5/2000	Willardson	.....	D6/328
D424,818 S *	5/2000	Willardson	.....	D6/328
D425,710 S *	5/2000	Willardson	.....	D6/328
D430,410 S *	9/2000	Willardson	.....	D6/328

**1 Claim, 2 Drawing Sheets**



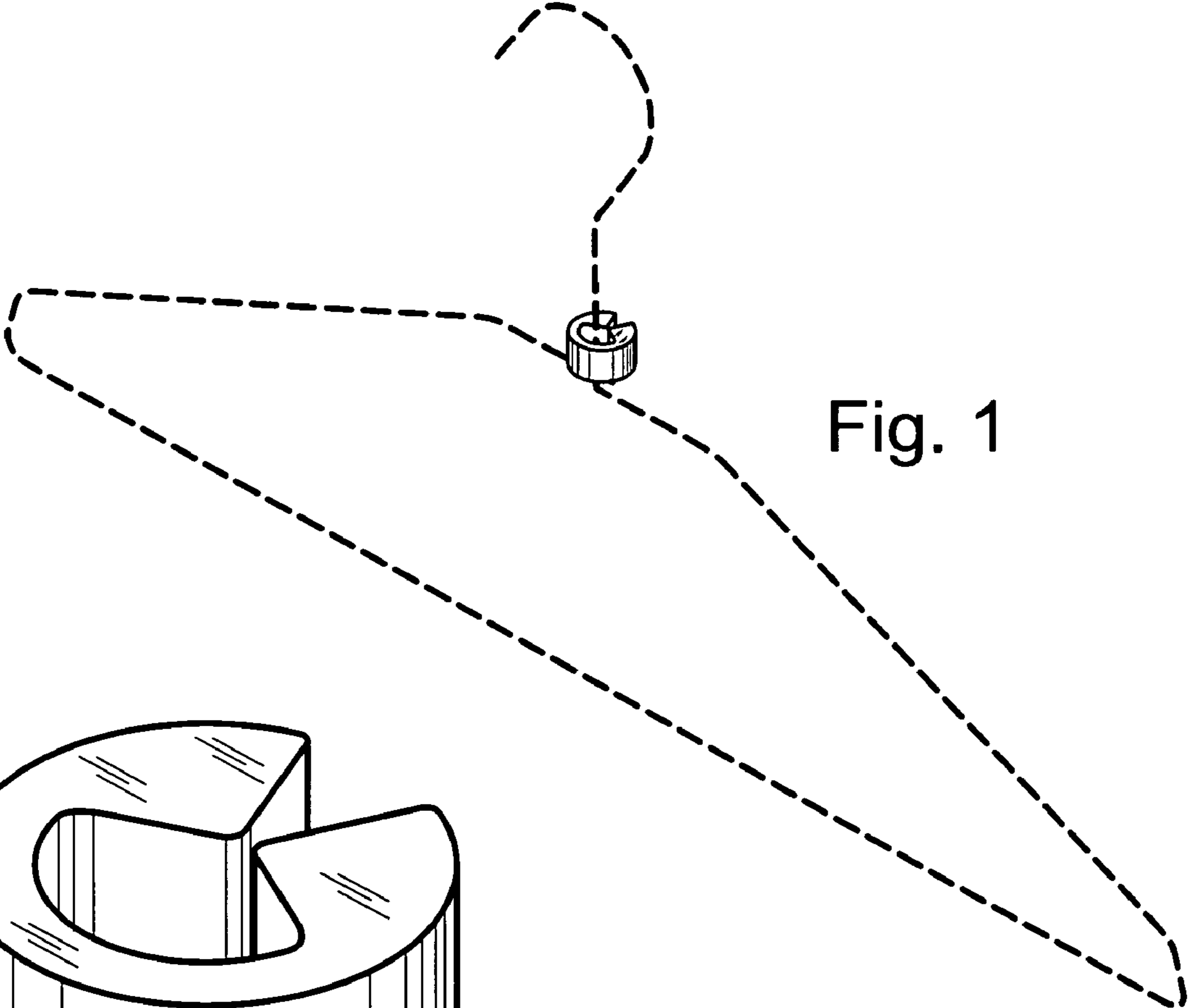


Fig. 1

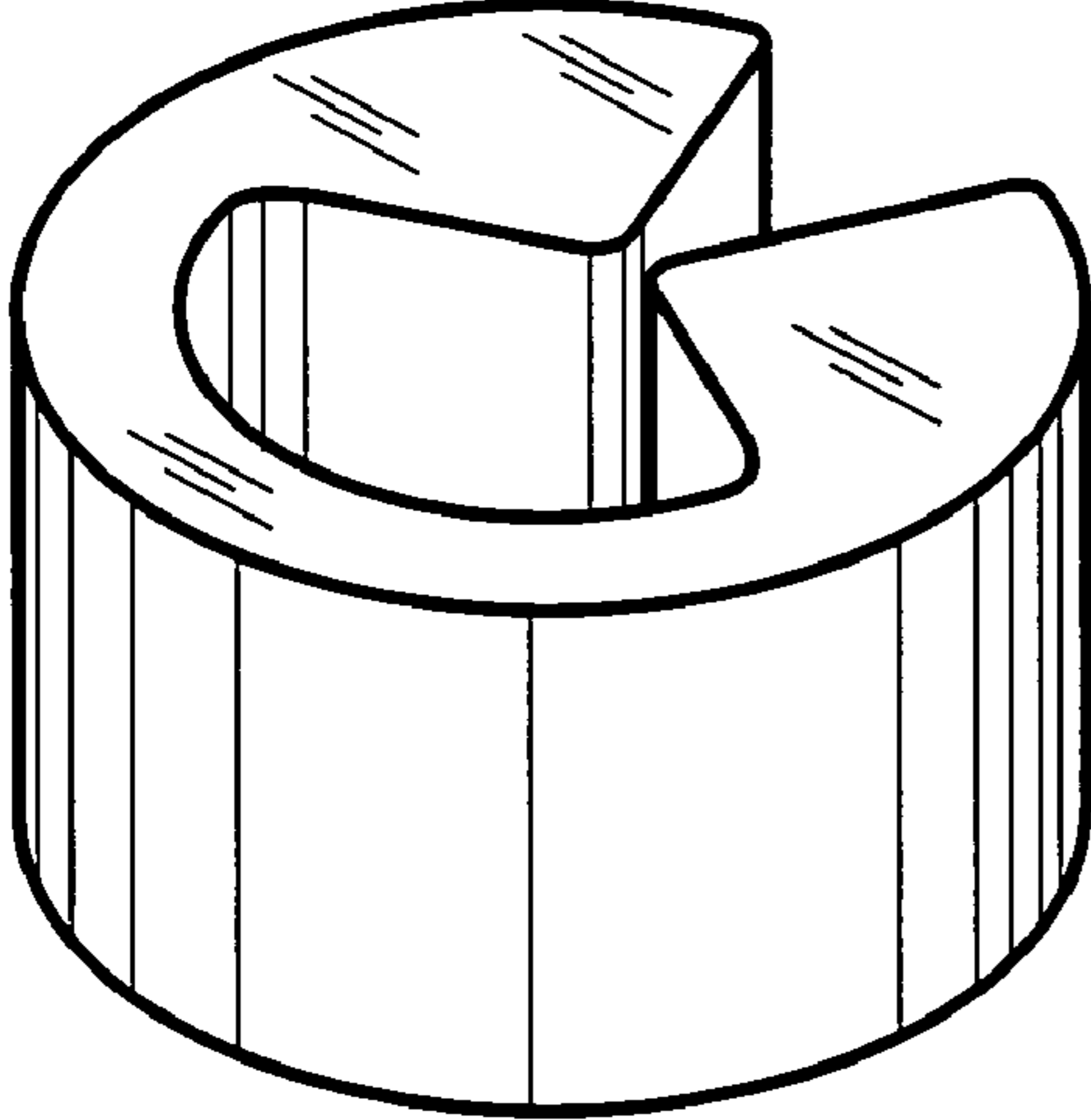


Fig. 2

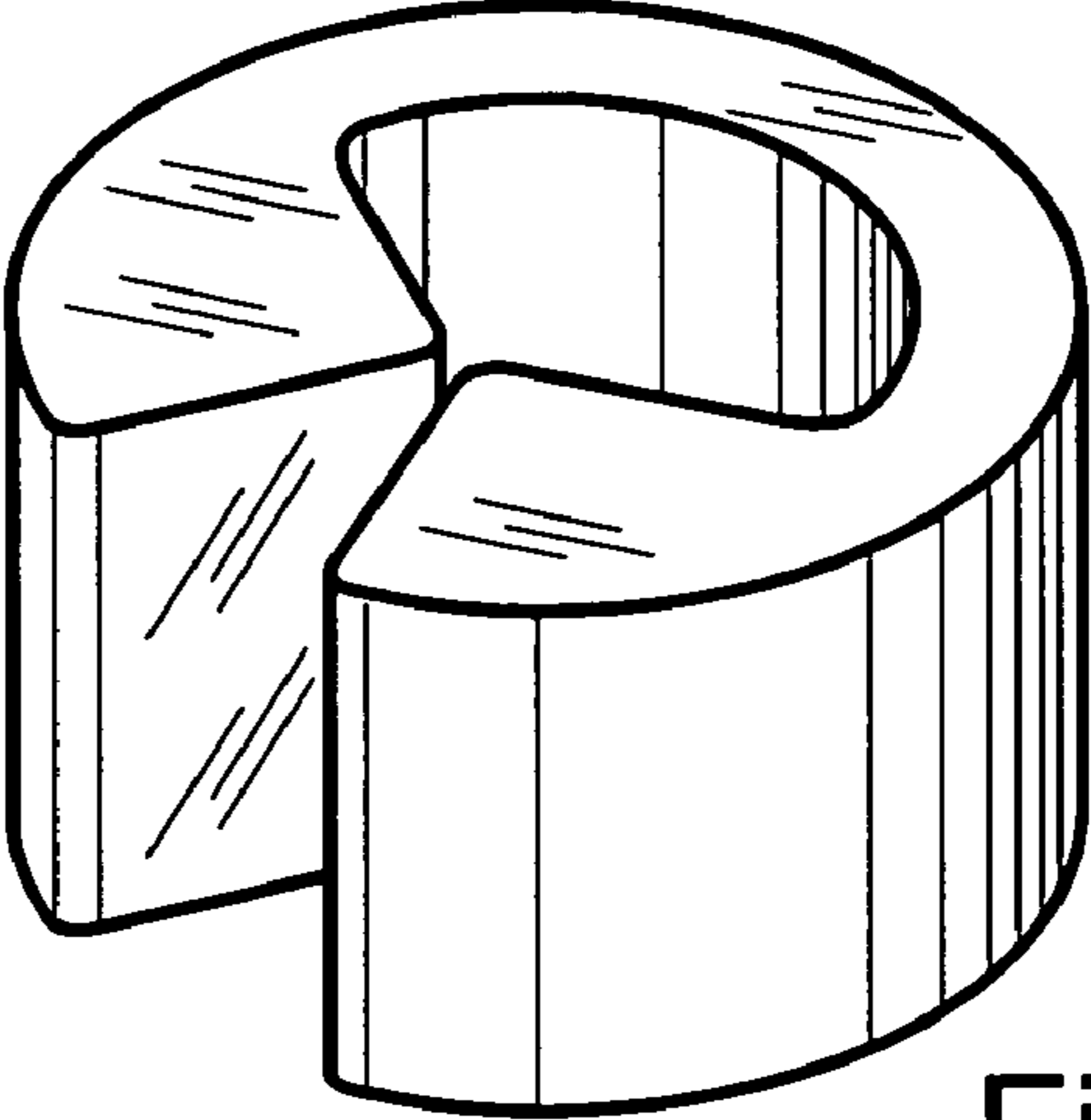


Fig. 3

Fig. 4



Fig. 5



Fig. 6

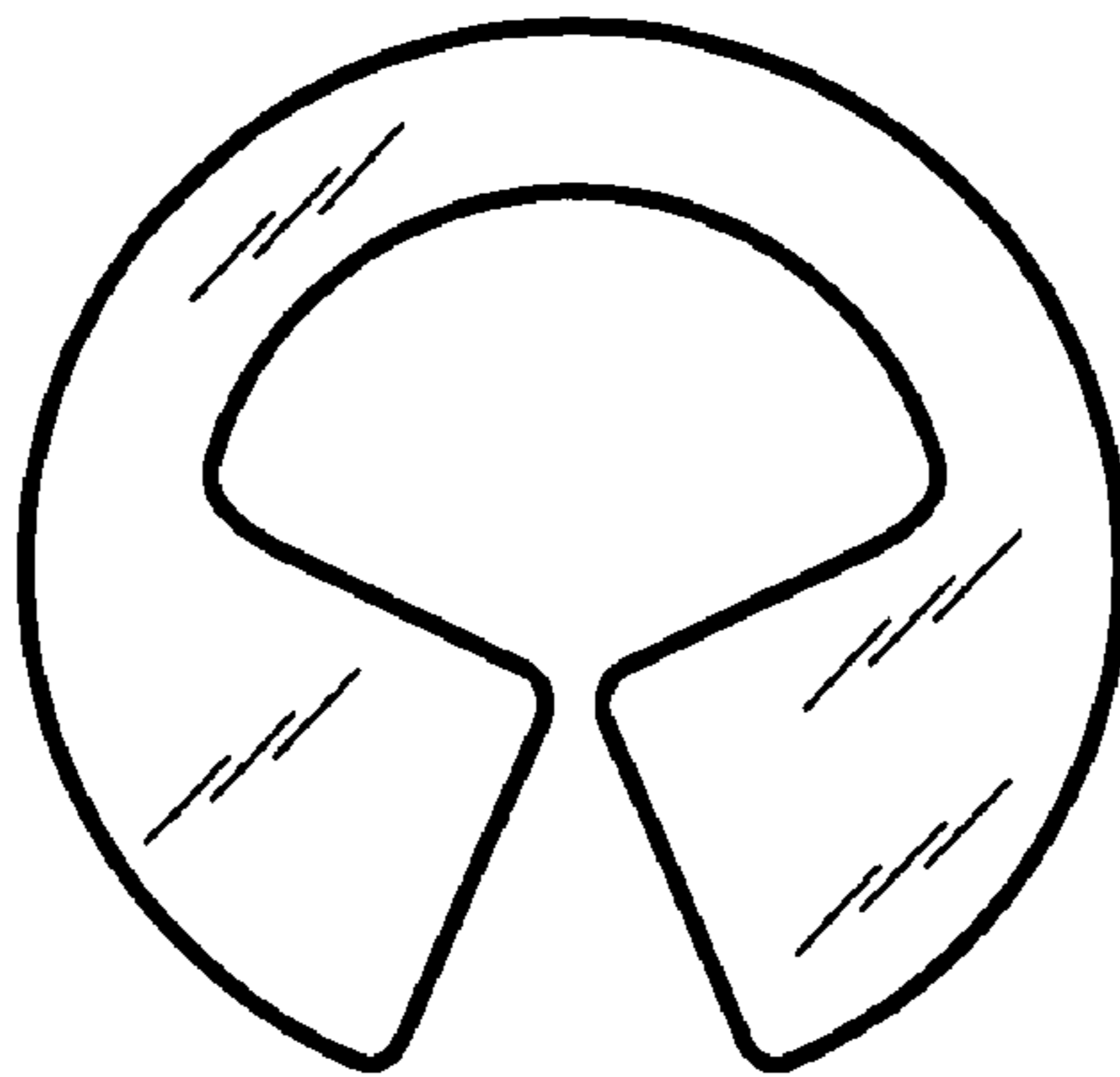


Fig. 7

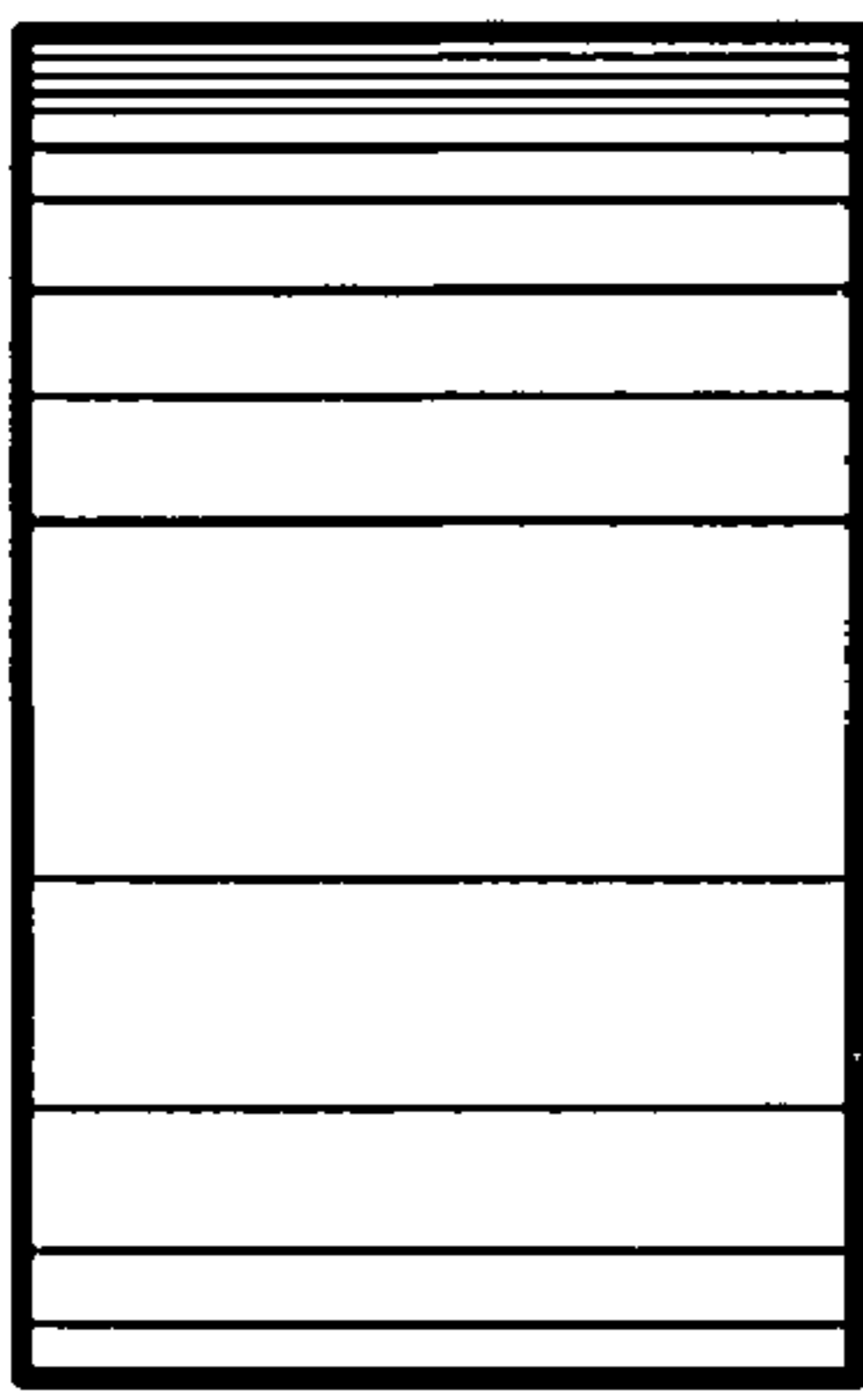


Fig. 9

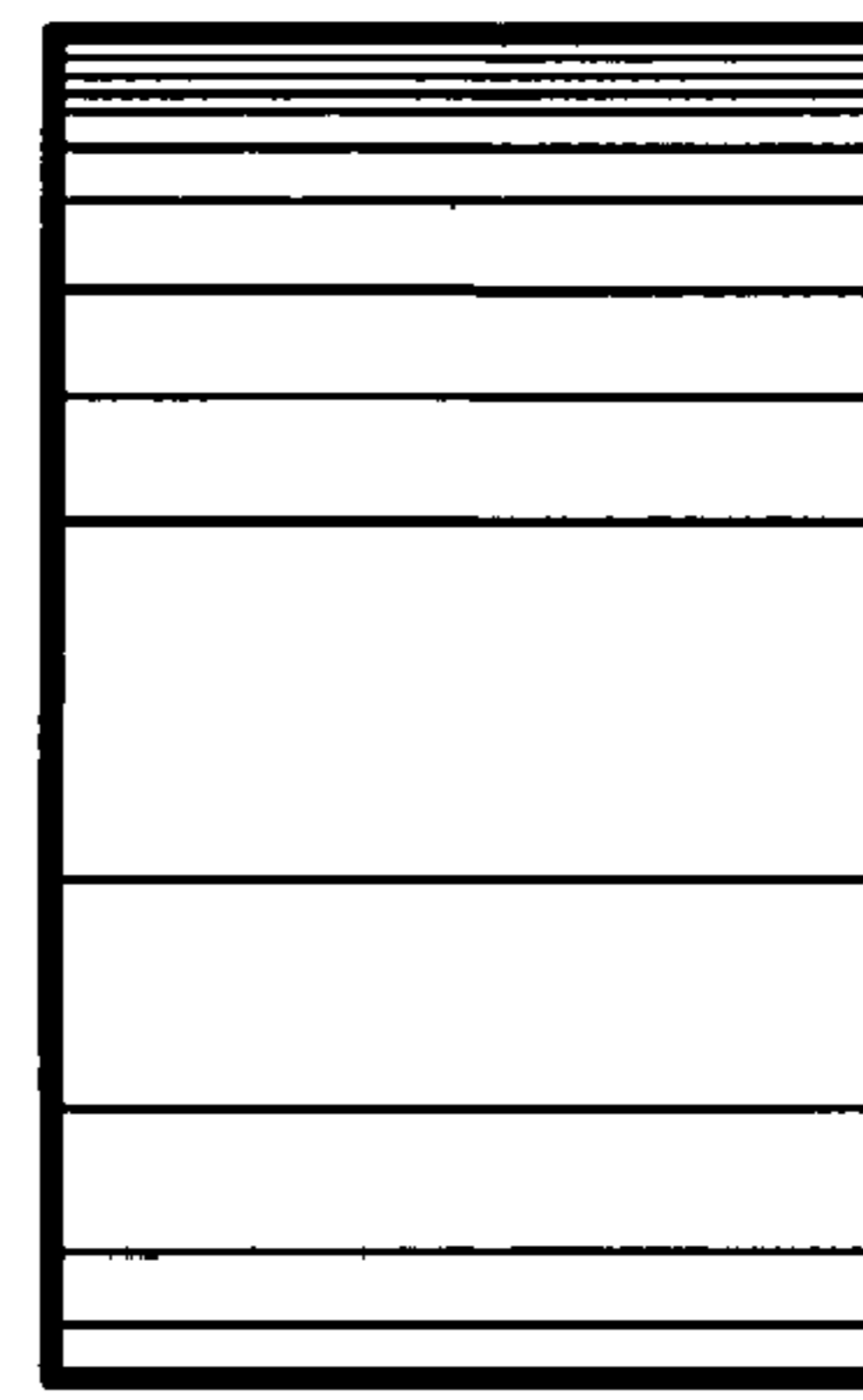


Fig. 8

