



US00D617560S

(12) **United States Design Patent**
Wu

(10) **Patent No.:** **US D617,560 S**
(45) **Date of Patent:** **** Jun. 15, 2010**

(54) **HANDLE**

(75) Inventor: **Peter Chang-Lin Wu**, Franklin Park, NJ
(US)

(73) Assignee: **Tumi, Inc.**, New York, NY (US)

(**) Term: **14 Years**

(21) Appl. No.: **29/336,093**

(22) Filed: **Apr. 28, 2009**

(51) **LOC (9) Cl.** **03-01**

(52) **U.S. Cl.** **D3/318**

(58) **Field of Classification Search** D3/232–233,
D3/240–246, 318, 324, 272, 289; 150/100,
150/103–104, 106–110, 113–114, 118–119
See application file for complete search history.

(56) **References Cited**

U.S. PATENT DOCUMENTS

D279,525 S	7/1985	Allen	
D292,747 S	11/1987	Allen	
5,105,919 A	4/1992	Bomes et al.	
D328,391 S	8/1992	Pulichino, Jr. et al.	
D329,329 S	9/1992	Bomes et al.	
D346,694 S *	5/1994	Cyr et al.	D3/287
5,307,908 A *	5/1994	Shyr et al.	190/18 A
D390,004 S *	2/1998	Tawil	D3/246
D443,417 S	6/2001	Hillman	
D445,252 S	7/2001	Klamm	
D469,252 S	1/2003	Su	
D477,142 S	7/2003	Dancyger	
D489,897 S *	5/2004	Guyon	D3/246
D492,115 S	6/2004	Bertelsen et al.	
7,048,101 B2	5/2006	Godshaw et al.	
7,150,345 B2	12/2006	Redzisz	
D534,349 S *	1/2007	Cardoso	D3/243

7,314,126 B2	1/2008	Godshaw et al.	
D578,306 S *	10/2008	Hermann	D3/246
D580,162 S *	11/2008	Crook	D3/232
D594,662 S	6/2009	Chu et al.	
D596,402 S	7/2009	Chu et al.	
2007/0193902 A1	8/2007	Myers et al.	

OTHER PUBLICATIONS

Tumi “design in motion” product catalog from 1999.
First Tumi product catalog from 2001.
Second Tumi product catalog from 2001.
Tumi Business Collections product brochure (1999-2001).
Tumi Travel Collections product brochure (1999-2001).
Office Action issued in JP2008-20237 on May 19, 2009 with English translation and attachments.

* cited by examiner

Primary Examiner—Holly H Baynham
(74) *Attorney, Agent, or Firm*—Baker Botts L.L.P.

(57) **CLAIM**

The ornamental design for a handle, as shown and described.

DESCRIPTION

FIG. 1 is a perspective view of the handle.

FIG. 2 is front view of the handle of FIG. 1.

FIG. 3 is a rear view of the handle of FIG. 1.

FIG. 4 is right side view of the handle of FIG. 1.

FIG. 5 is left side view of the handle of FIG. 1.

FIG. 6 is a top view of the handle of FIG. 1; and,

FIG. 7 is a bottom view of the handle of FIG. 1.

The broken line showing of a briefcase handle is included for the purpose of illustrating environment and forms no part of the claimed design.

1 Claim, 7 Drawing Sheets





FIG. 1

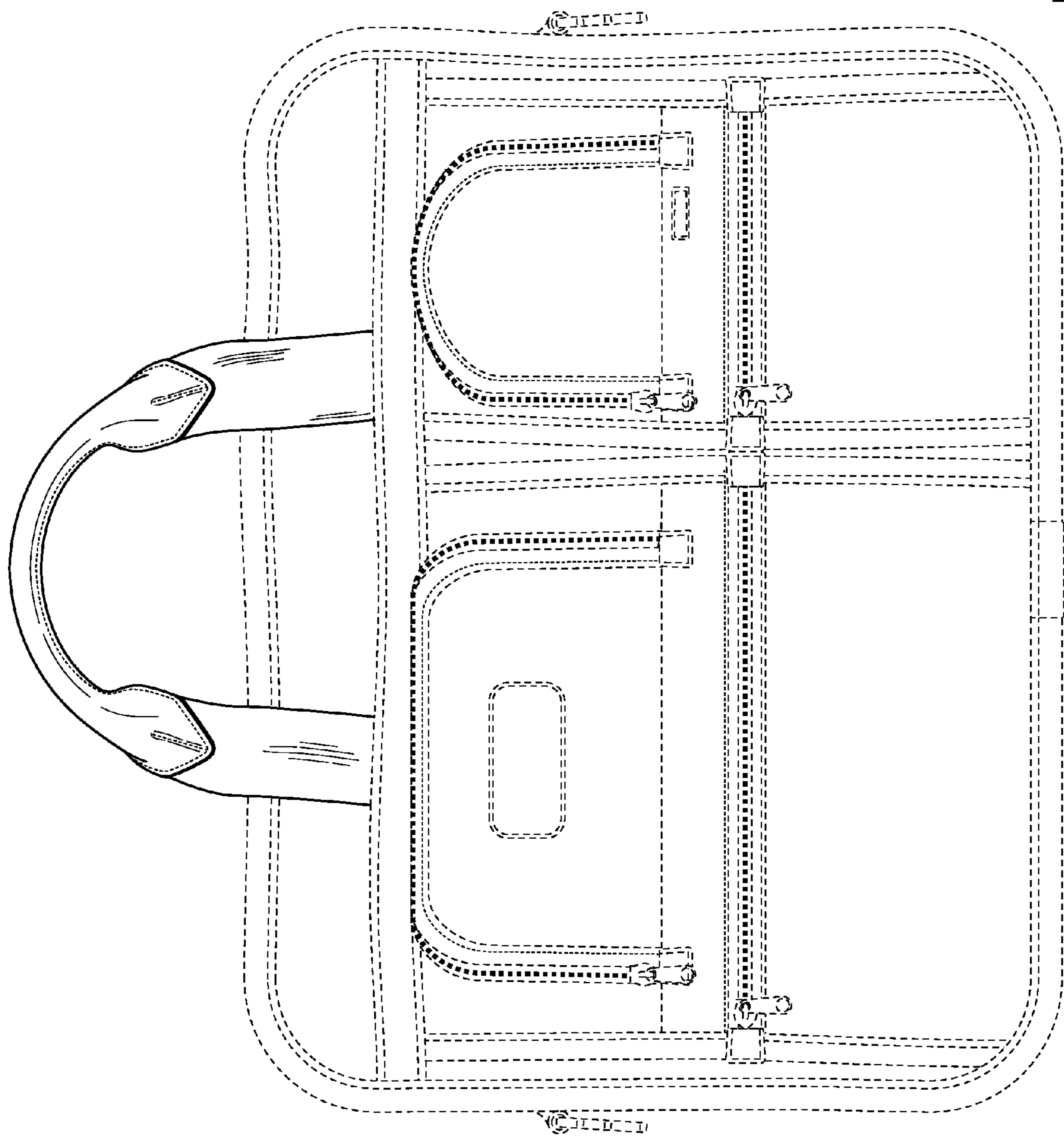


FIG. 2

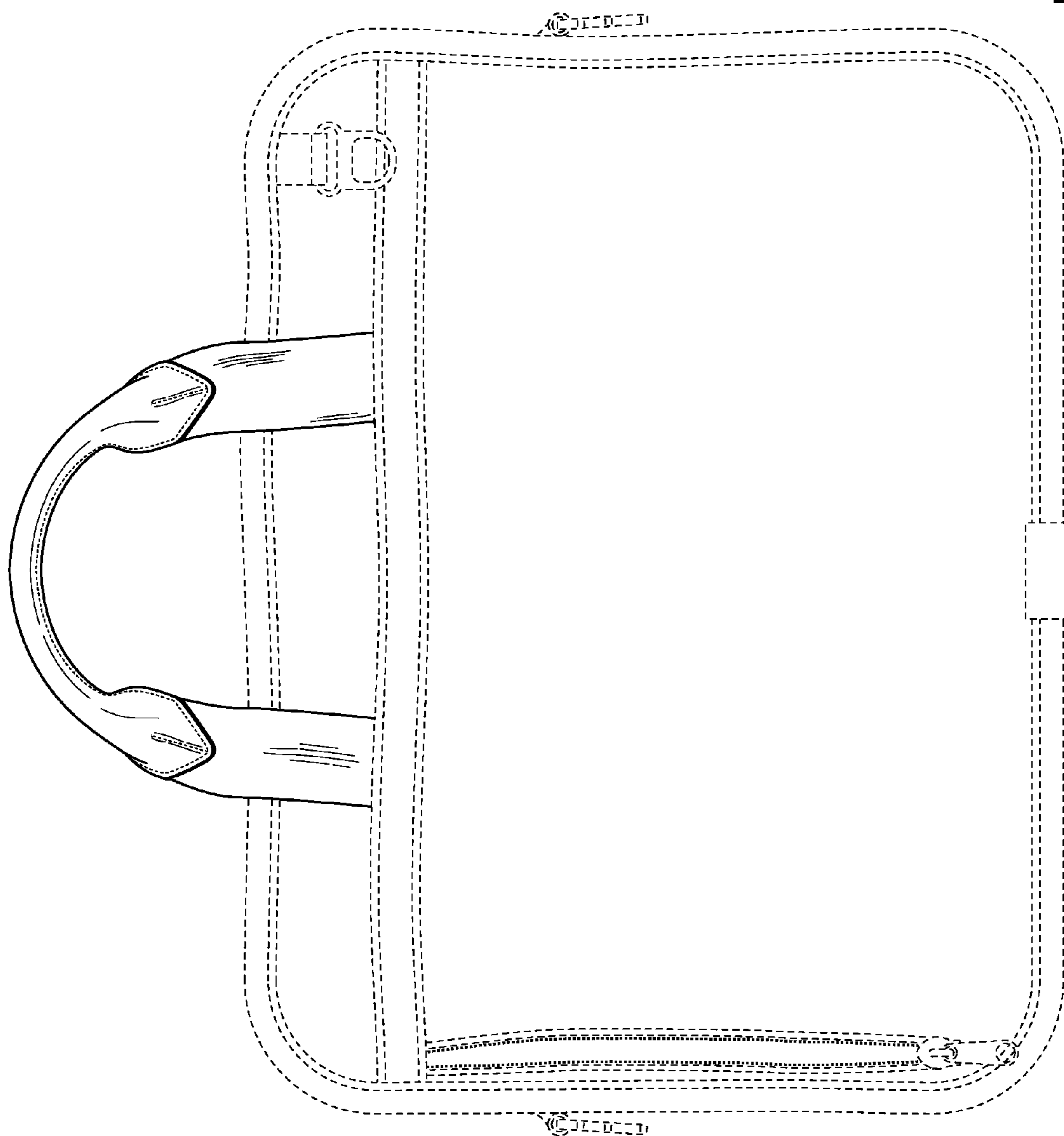


FIG. 3

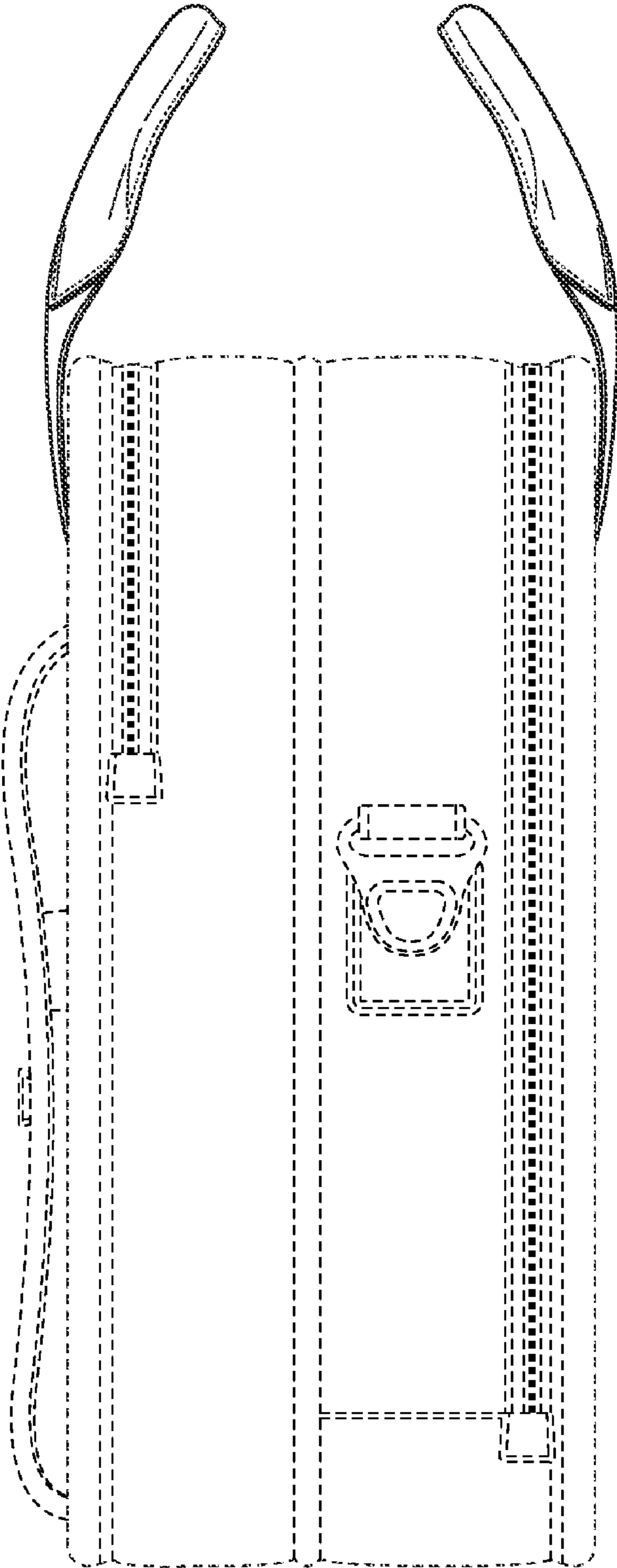


FIG. 4

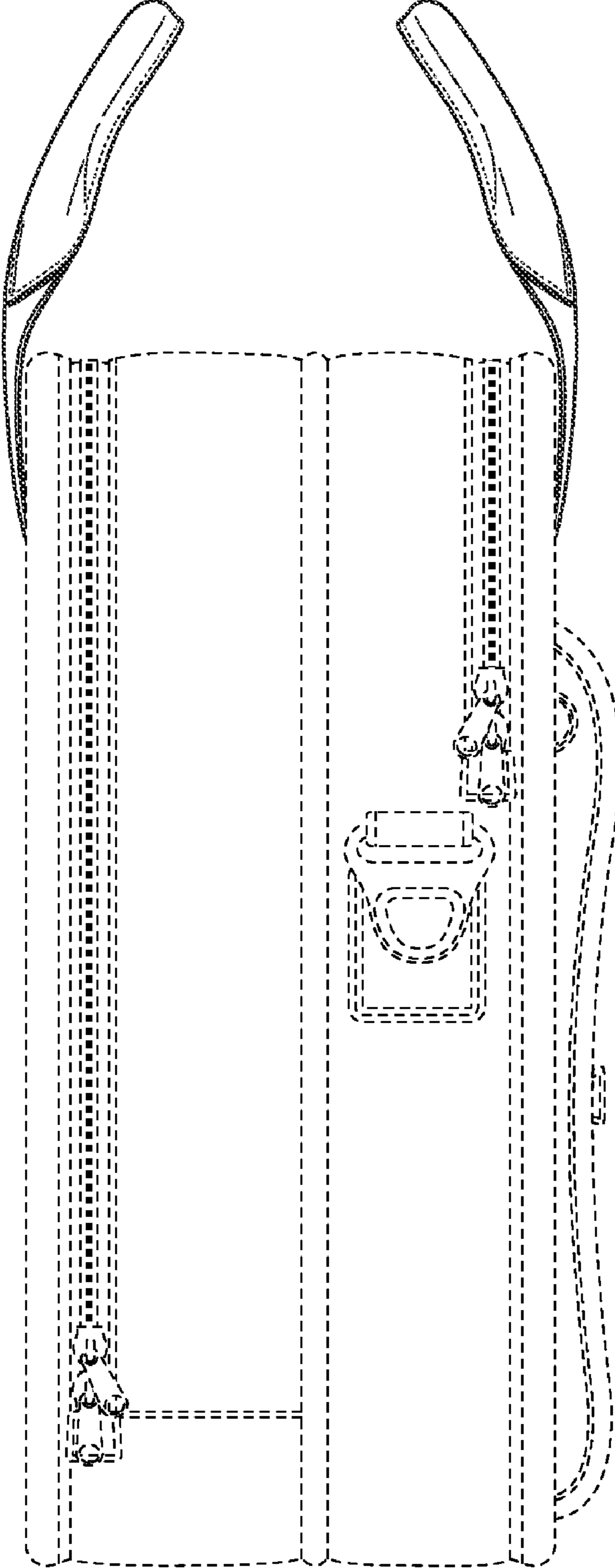


FIG. 5

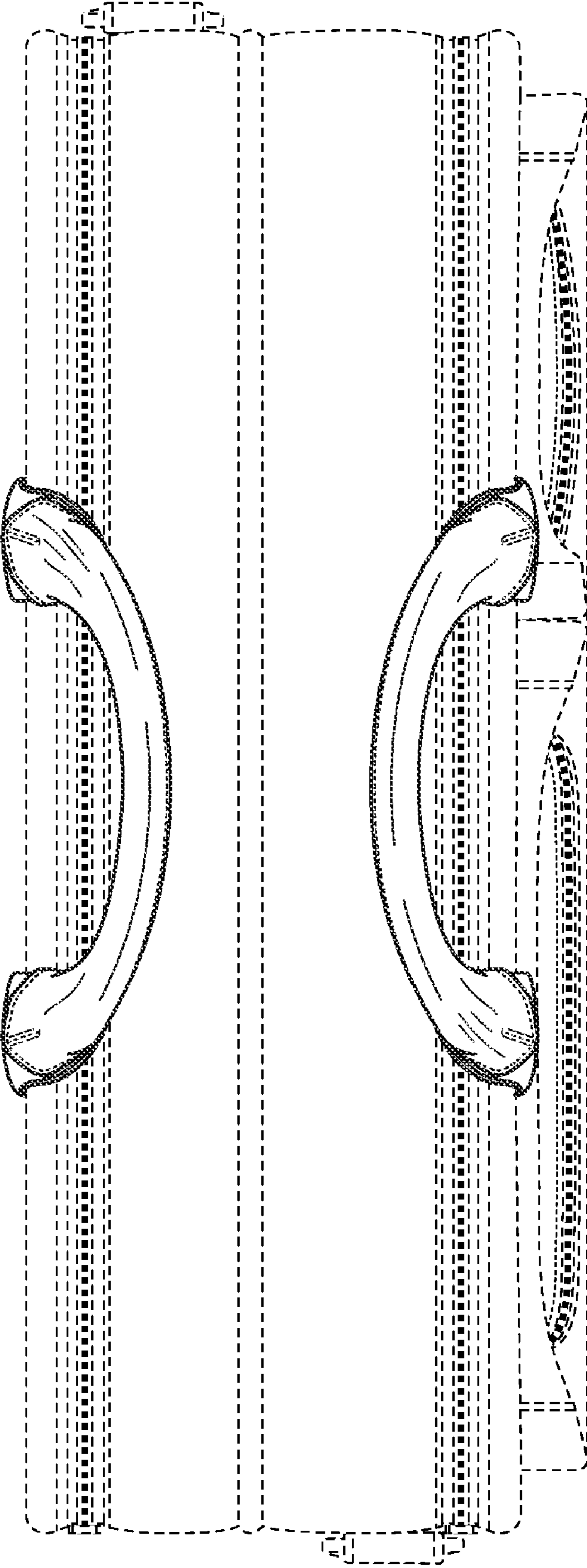


FIG. 6

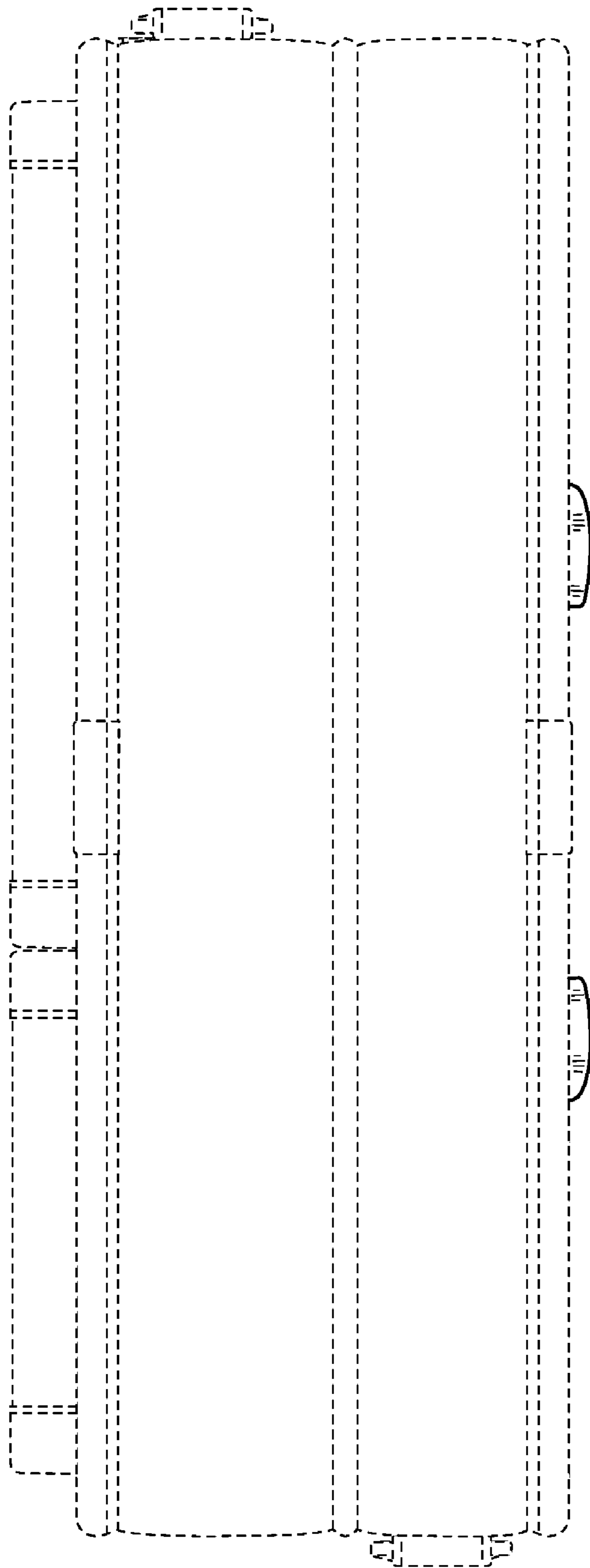


FIG. 7