



US00D617559S

(12) **United States Design Patent**
Chu et al.

(10) **Patent No.:** **US D617,559 S**
(45) **Date of Patent:** **** Jun. 15, 2010**

(54) **HANDLE**

(75) Inventors: **David Ching Chi Chu**, New York, NY (US); **Youjin Nam**, Hoboken, NJ (US)

(73) Assignee: **Tumi, Inc.**, New York, NY (US)

(**) Term: **14 Years**

(21) Appl. No.: **29/327,690**

(22) Filed: **Nov. 11, 2008**

Related U.S. Application Data

(63) Continuation-in-part of application No. 29/320,371, filed on Jun. 25, 2008, now abandoned.

(51) **LOC (9) Cl.** **03-01**

(52) **U.S. Cl.** **D3/318**

(58) **Field of Classification Search** D3/318, D3/279, 282, 324, 276, 289; D8/302, 306, D8/316, 317, 318; 190/18 A, 110, 109, 111, 190/112-115; 16/110.1, 110.3, 114.1, 45
See application file for complete search history.

(56) **References Cited**

U.S. PATENT DOCUMENTS

3,084,771 A	4/1963	Davis	
3,284,864 A	11/1966	Howell	
D246,426 S *	11/1977	Ridgway et al.	D8/318
4,364,150 A *	12/1982	Remington	16/409
D320,769 S	10/1991	Komuro	
D335,810 S *	5/1993	Asien	D8/306
D374,773 S	10/1996	Domotor	
D375,202 S	11/1996	Vermillion et al.	
D394,551 S	5/1998	Decoster	

D415,008 S	10/1999	Wang
D416,684 S	11/1999	Nykoluk
D417,134 S	11/1999	Workman
6,000,509 A	12/1999	Chisholm
D425,705 S	5/2000	Santy et al.
D428,797 S	8/2000	Lin
D430,792 S	9/2000	Wang
D439,410 S	3/2001	Chang

(Continued)

OTHER PUBLICATIONS

Tumi "design in motion" product catalog from 1999.

(Continued)

Primary Examiner—Holly H Baynham

Assistant Examiner—Sheryl Lane

(74) *Attorney, Agent, or Firm*—Baker Botts L.L.P.

(57) **CLAIM**

The ornamental design for a handle, as shown and described.

DESCRIPTION

FIG. 1 is a perspective view of a first embodiment of the handle.

FIG. 2 is a front view of the handle of FIG. 1.

FIG. 3 is a rear view of the handle of FIG. 1.

FIG. 4 is a right side view of the handle of FIG. 1.

FIG. 5 is a left side view of the handle of FIG. 1.

FIG. 6 is a top view of the handle of FIG. 1; and,

FIG. 7 is a bottom view of the handle of FIG. 1.

The broken lines are provided for illustrative purposes only and form no part of the claimed design.

1 Claim, 6 Drawing Sheets



US D617,559 S

Page 2

U.S. PATENT DOCUMENTS

D440,046 S 4/2001 Kuo
D441,636 S 5/2001 Wang
D444,696 S 7/2001 Kuo
D447,929 S 9/2001 Chang
D472,713 S 4/2003 Lee
D474,597 S 5/2003 Nykoluk
D480,874 S 10/2003 Nykoluk
D485,681 S 1/2004 Fenton et al.
D487,348 S 3/2004 Fenton et al.
D489,531 S 5/2004 Oh
D490,246 S * 5/2004 Davis D3/318
D491,367 S 6/2004 Moon
D493,283 S 7/2004 Rada et al.
D494,763 S 8/2004 Fenton et al.
D497,480 S 10/2004 Drew et al.
D498,055 S 11/2004 Fenton
D498,056 S 11/2004 Moon
D503,536 S 4/2005 Rada et al.
D506,313 S 6/2005 Neumann
D507,112 S 7/2005 Fenton et al.
D507,113 S 7/2005 Nykoluk
D510,190 S 10/2005 Fenton et al.
D513,560 S 1/2006 Neumann
D528,301 S * 9/2006 Proot et al. D3/318
D535,100 S * 1/2007 Suppancig D3/283
D538,043 S 3/2007 Fenton et al.
D538,541 S 3/2007 Fenton et al.
7,195,322 B2 3/2007 Lin et al.
D539,543 S 4/2007 Wu

7,237,660 B2 7/2007 Wu
D554,372 S 11/2007 Scicluna et al.
D554,861 S 11/2007 Udall et al.
D570,601 S 6/2008 Drew et al.
7,404,240 B2 7/2008 Nedbal et al.
D575,512 S 8/2008 Moon
D575,957 S 9/2008 Scicluna et al.
D578,372 S * 10/2008 James et al. D8/316
D581,161 S 11/2008 Tong
D581,667 S 12/2008 Yeh
D590,154 S 4/2009 Hopwood et al.
D590,595 S 4/2009 Chu et al.
7,549,652 B2 6/2009 Wu
D596,400 S 7/2009 Chu et al.
D600,095 S * 9/2009 Mattson et al. D8/317

OTHER PUBLICATIONS

First Tumi product catalog from 2001.
Second Tumi product catalog from 2001.
Tumi Business Collections product brochure (1999-2001).
Tumi Travel Collections product brochure (1999-2001).
U.S. Appl. No. 29/320,371—Image File Wrapper.
U.S. Appl. No. 29/327,982—Image File Wrapper.
U.S. Appl. No. 29/327,684—Image File Wrapper.
U.S. Appl. No. 29/327,685—Image File Wrapper.
U.S. Appl. No. 29/327,687—Image File Wrapper.
U.S. Appl. No. 29/327,689—Image File Wrapper.
U.S. Appl. No. 29/327,691—Image File Wrapper.
U.S. Appl. No. 29/327,694—Image File Wrapper.

* cited by examiner

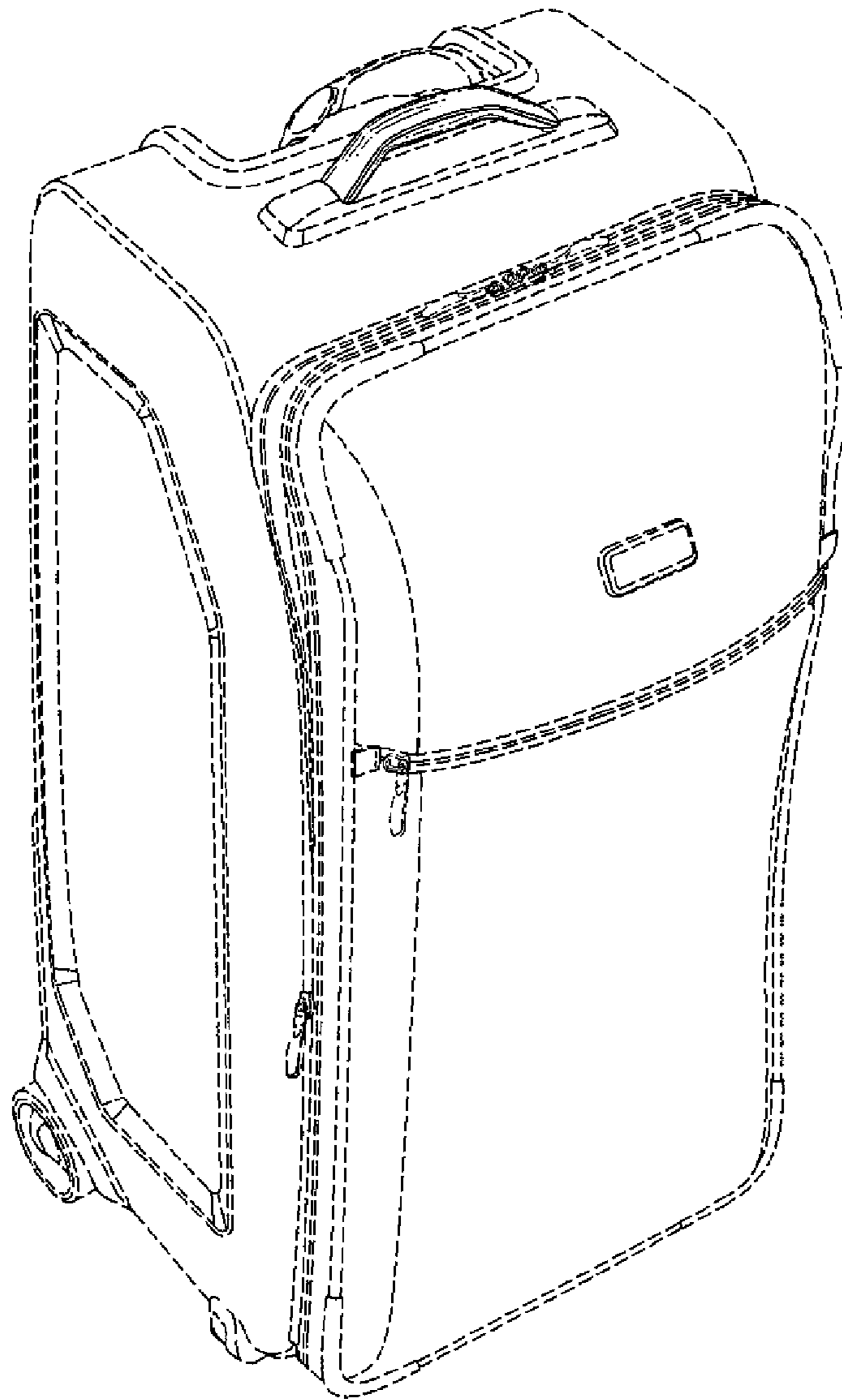


FIG. 1

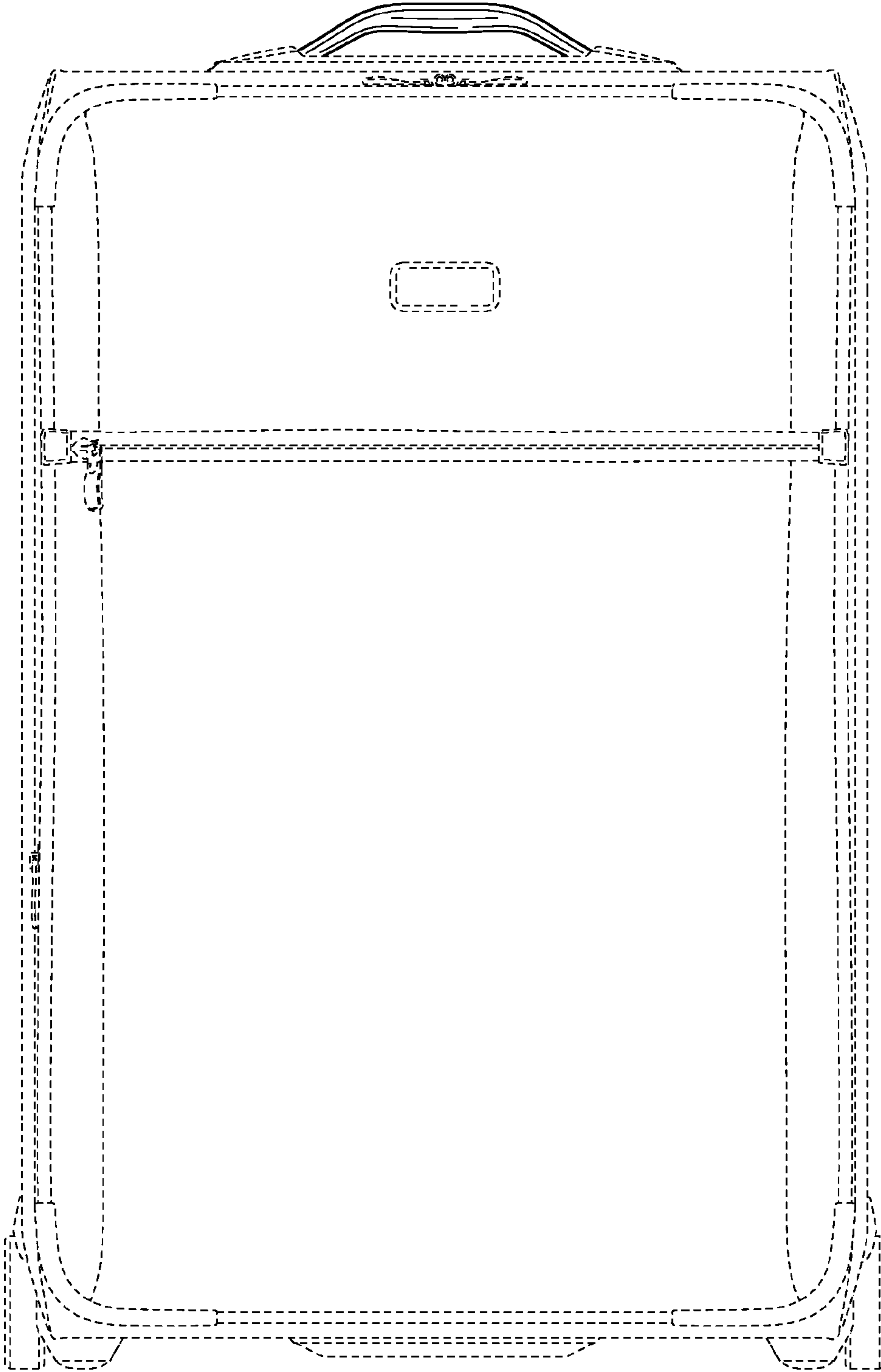


FIG. 2

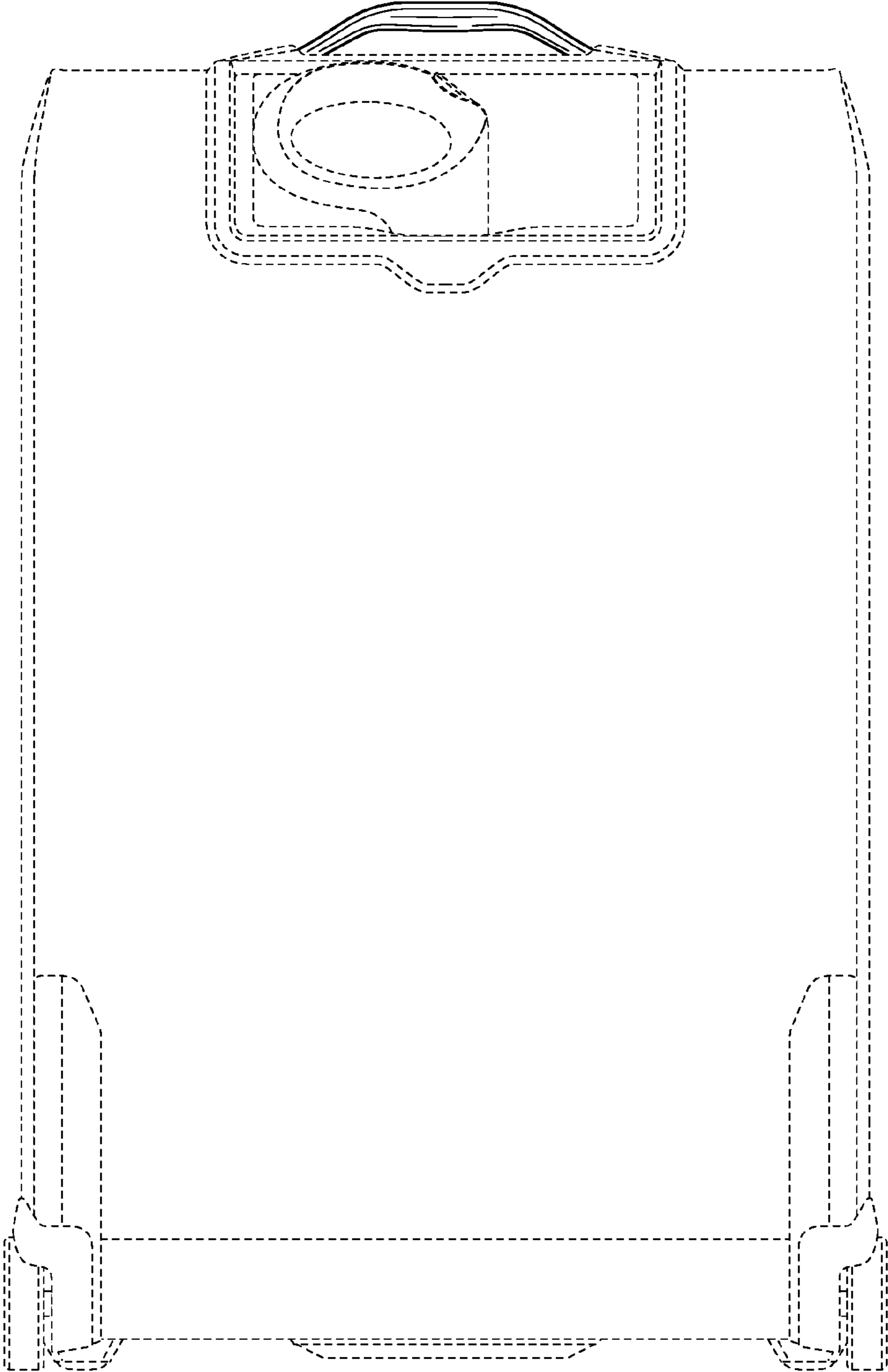


FIG. 3

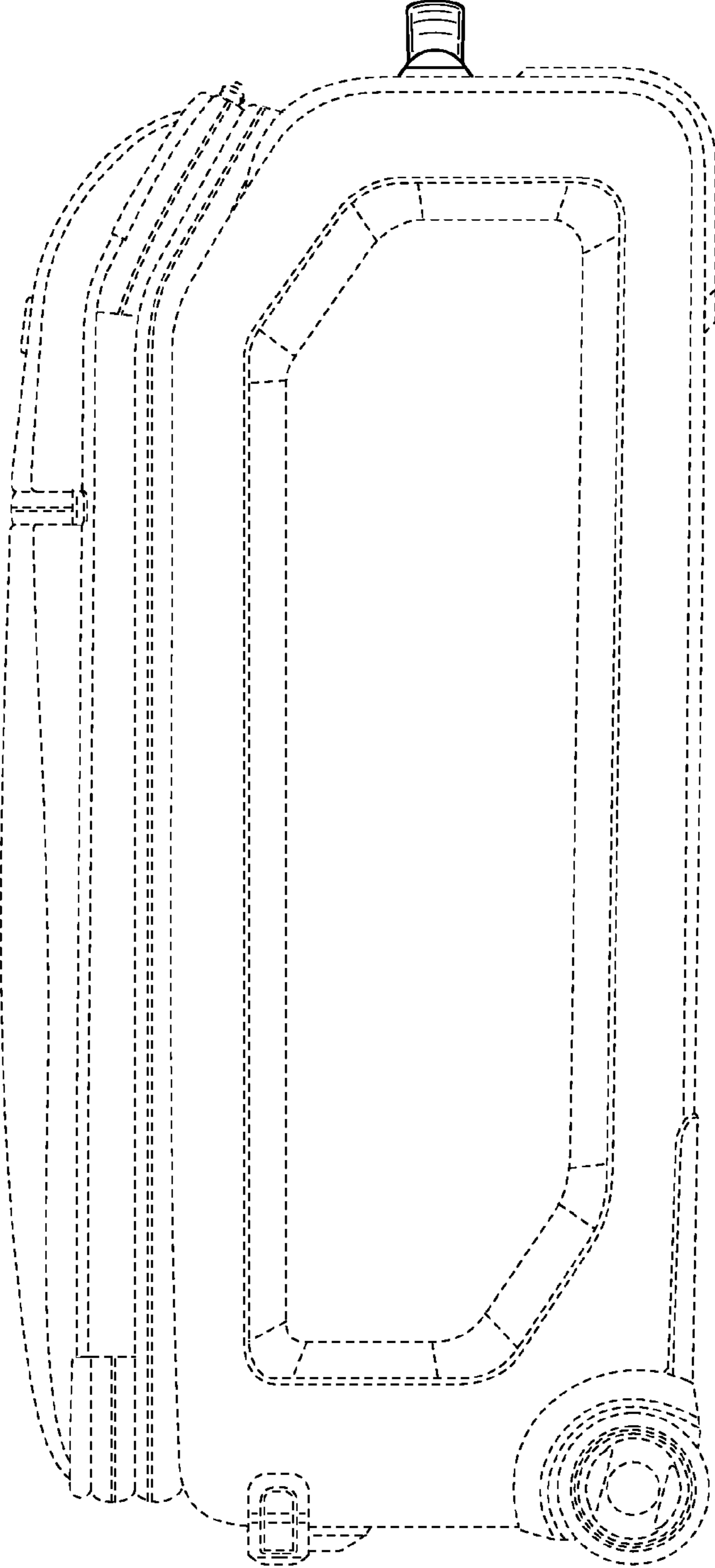


FIG. 4

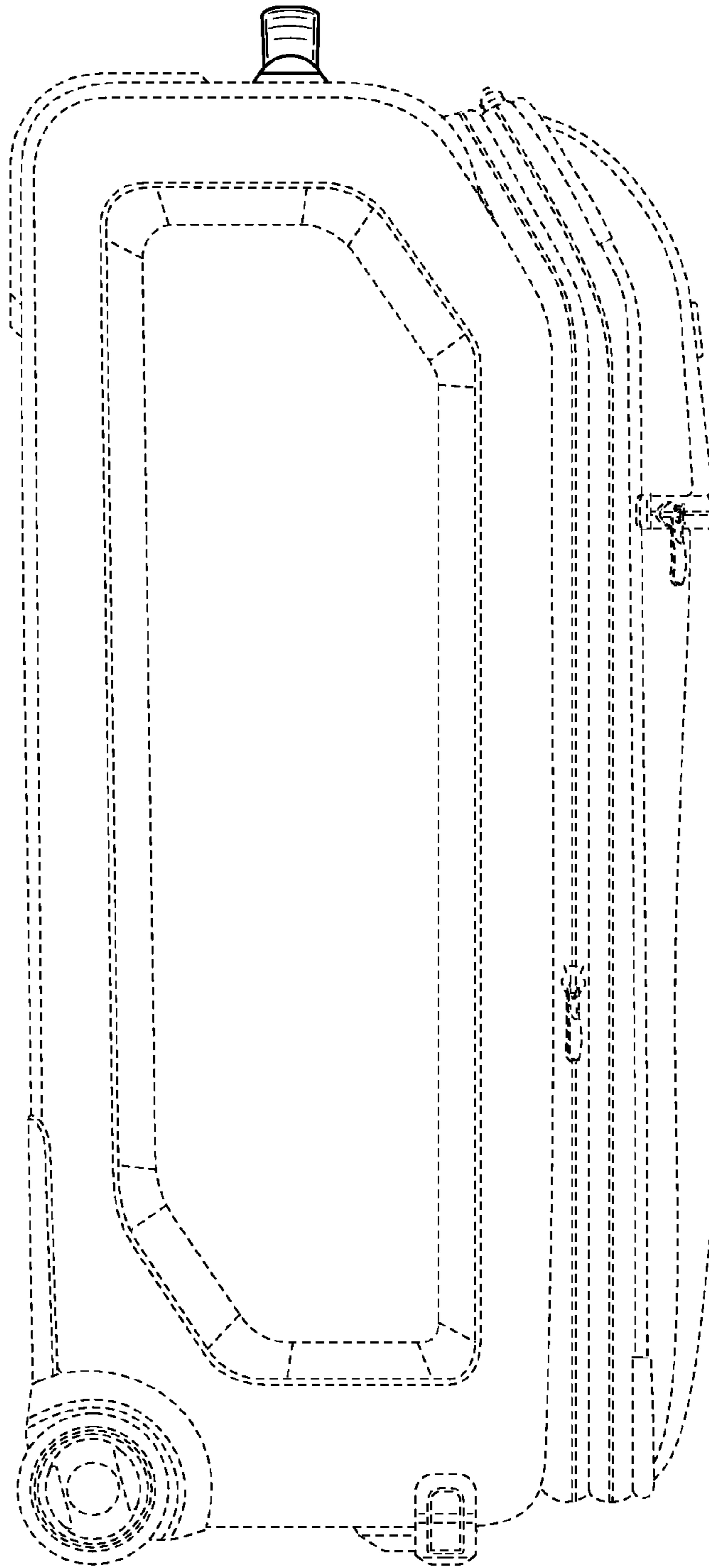


FIG. 5

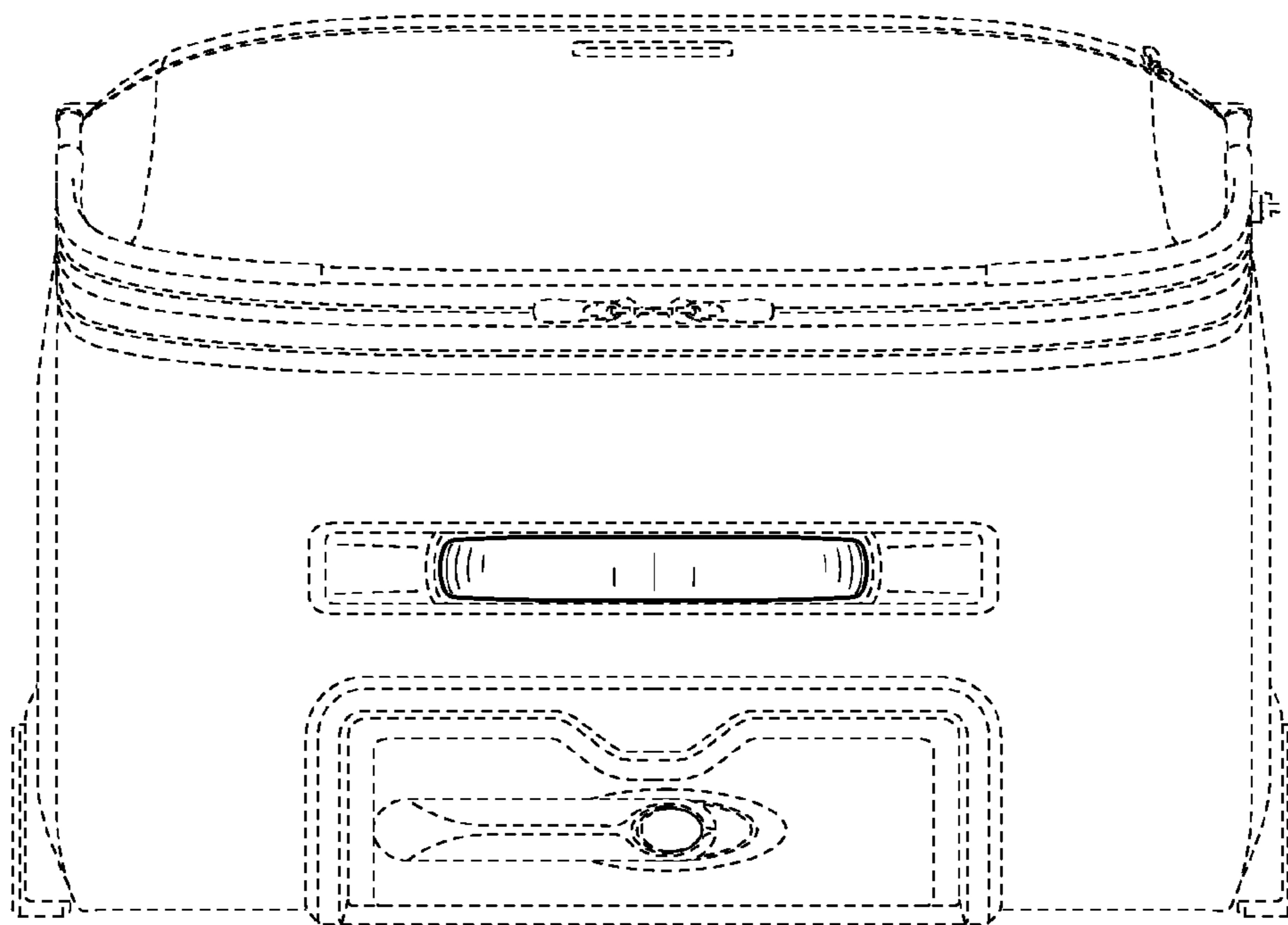


FIG. 6

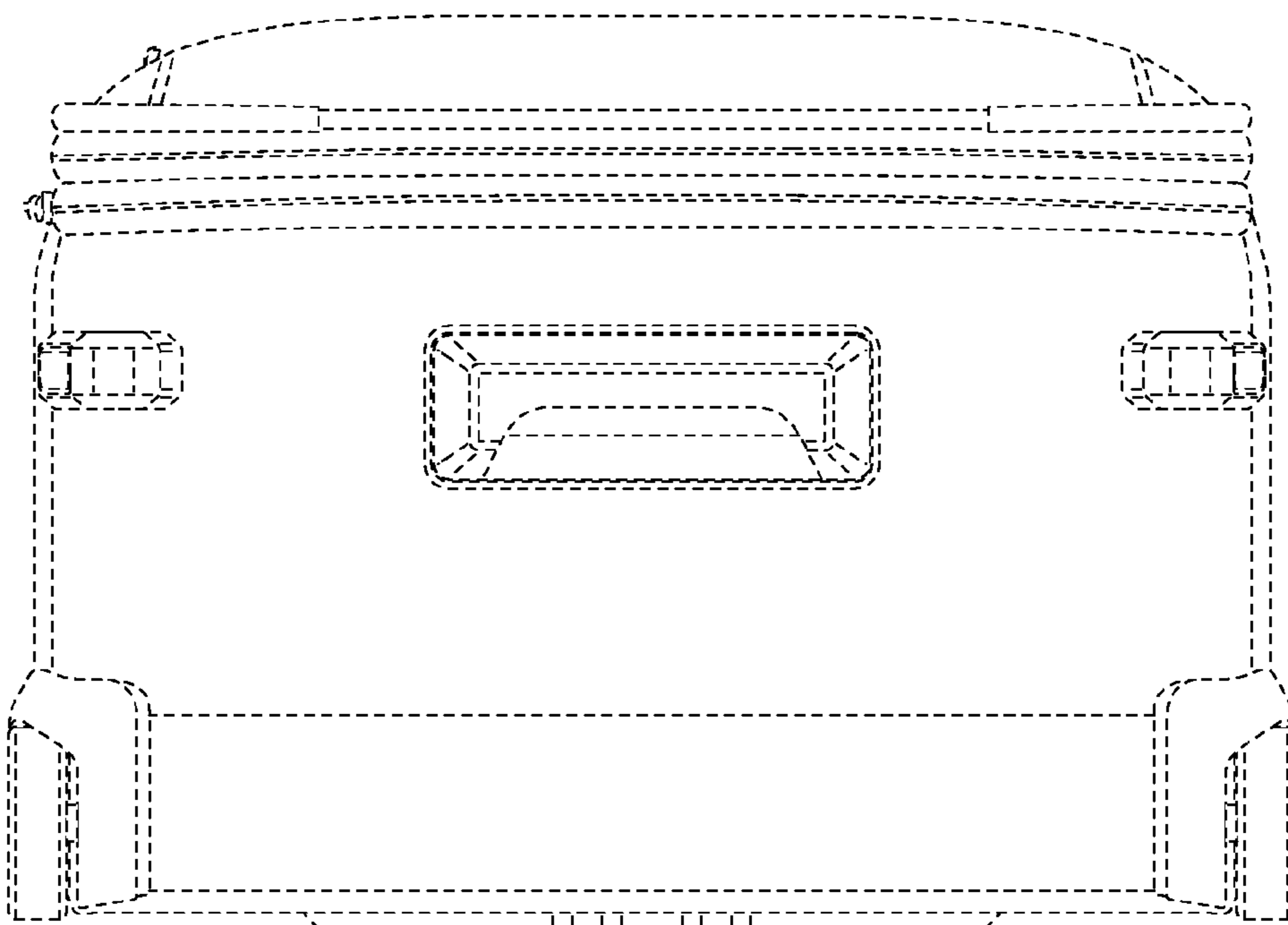


FIG. 7