



US00D617557S

(12) **United States Design Patent**  
**Molina et al.**

(10) **Patent No.:** **US D617,557 S**  
(45) **Date of Patent:** **\*\* Jun. 15, 2010**

- (54) **TOOL CASE**
- (75) Inventors: **Francisco Molina**, Davie, FL (US);  
**Glenn Robinson**, Coral Springs, FL (US)
- (73) Assignee: **IBT Holdings, Inc.**, Deerfield Beach, FL (US)
- (\*\*) Term: **14 Years**
- (21) Appl. No.: **29/316,944**
- (22) Filed: **Nov. 12, 2009**

5,148,914 A	9/1992	Budert et al.
5,509,528 A	4/1996	Weisburn
5,598,924 A	2/1997	McCann
5,725,107 A	3/1998	Dembicks
5,730,303 A	3/1998	Chow
5,785,174 A	7/1998	Chow
5,803,254 A *	9/1998	Vasudeva ..... 206/373
D400,010 S *	10/1998	Vasudeva ..... D3/276
D400,709 S	11/1998	Chang

**Related U.S. Application Data**

- (63) Continuation-in-part of application No. 29/315,514, filed on Jul. 2, 2009.
- (51) **LOC (9) Cl.** ..... **03-01**
- (52) **U.S. Cl.** ..... **D3/282; D3/905**
- (58) **Field of Classification Search** ..... D3/201, D3/273, 274, 282–286, 293–295, 315, 905; D9/415, 420–424; 206/349, 372–374, 379, 206/375, 377; 312/902  
See application file for complete search history.

**References Cited**

**U.S. PATENT DOCUMENTS**

1,927,110 A	9/1933	Bannister et al.
2,509,507 A	5/1950	Kane
3,154,192 A	10/1964	Cowley
3,516,585 A	6/1970	Inwood
3,583,556 A	6/1971	Wagner
D229,366 S	11/1973	Yonce
4,165,805 A	8/1979	Fethke et al.
4,260,057 A	4/1981	Wall-Andersen
4,449,629 A *	5/1984	Barrieau ..... 206/765
4,450,961 A	5/1984	Bies et al.
4,610,354 A	9/1986	Hostetler
D286,103 S	10/1986	Blumenthal
4,872,551 A	10/1989	Theros
4,899,877 A	2/1990	Kiernan
5,133,455 A	7/1992	Chow

(Continued)

*Primary Examiner*—Prabhakar Deshmukh  
(74) *Attorney, Agent, or Firm*—Dan M. DeLaRosa

(57) **CLAIM**

The ornamental design for a tool case, as shown and described.

**DESCRIPTION**

FIG. 1 is a front perspective view of the tool case of the present invention in a closed position showing my new design;

FIG. 2 is another perspective view of the tool case in a closed position;

FIG. 3 is a side elevational view thereof;

FIG. 4 is a front side elevational view thereof;

FIG. 5 is a back side elevational view thereof;

FIG. 6 is another side elevational view thereof;

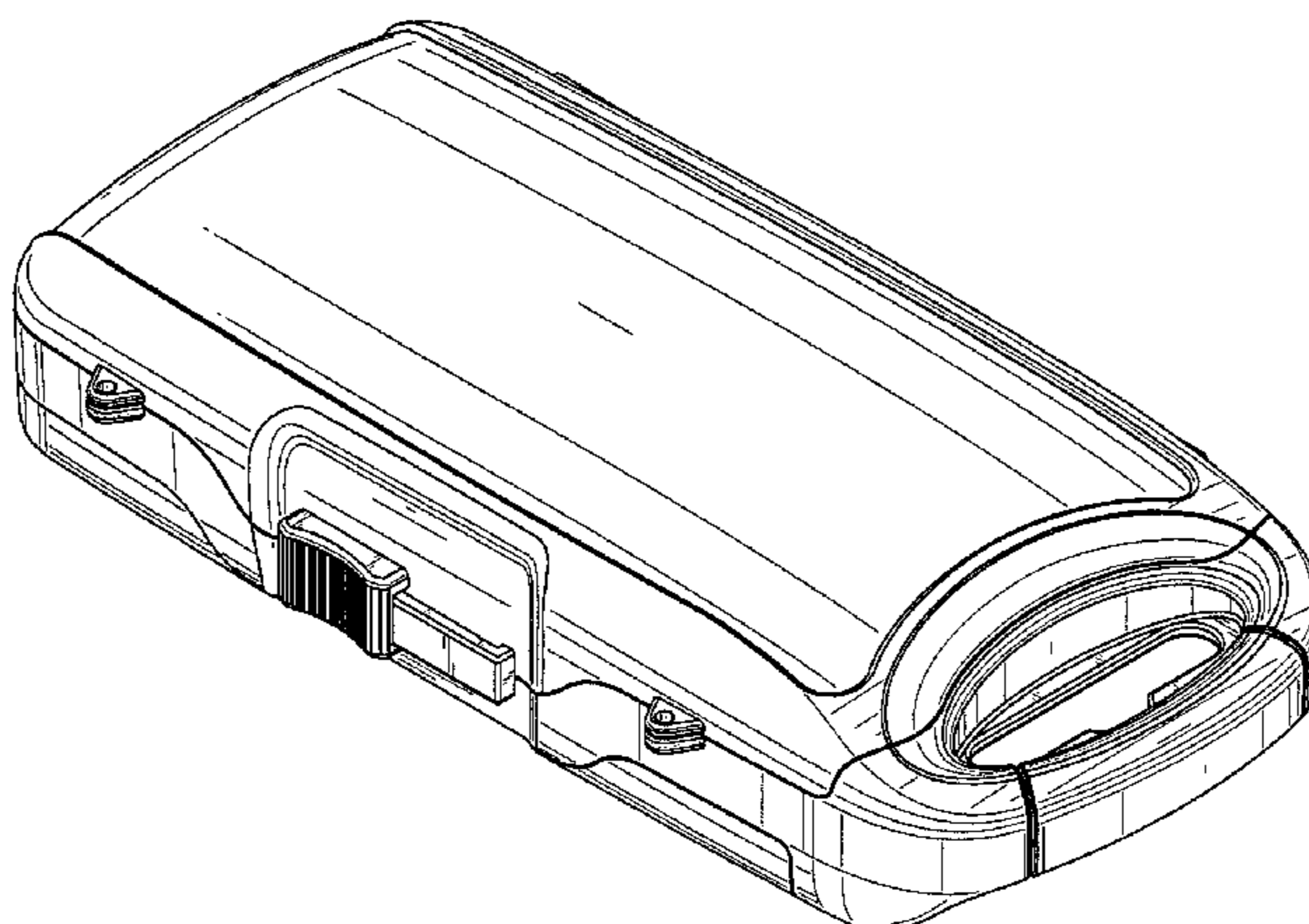
FIG. 7 is a top plan view thereof;

FIG. 8 is a bottom plan view thereof;

FIG. 9 is a perspective view of the tool case in an opened position; and,

FIG. 10 is another perspective view of the tool case in an opened position.

**1 Claim, 7 Drawing Sheets**



# US D617,557 S

Page 2

## U.S. PATENT DOCUMENTS

5,887,715	A *	3/1999	Vasudeva .....	206/373	6,375,005	B1	4/2002	McCann	
5,893,542	A	4/1999	Hu		6,409,015	B1	6/2002	Hu	
5,897,001	A	4/1999	Dembicks		6,464,840	B1	10/2002	McCann	
5,899,329	A	5/1999	Hu et al.		D468,531	S	1/2003	Hsu	
5,918,741	A	7/1999	Vasudeva		D474,340	S *	5/2003	Vasudeva .....	D3/282
D418,977	S	1/2000	Streich		D478,725	S *	8/2003	Vasudeva et al. ....	D3/282
D422,787	S *	4/2000	Feng .....	D3/273	D483,180	S	12/2003	Chen	
6,044,973	A *	4/2000	Vasudeva .....	206/372	6,685,018	B1	2/2004	Chuan	
D426,151	S	6/2000	Ling		6,712,224	B2	3/2004	Ling	
D429,461	S	8/2000	Rowlay		6,820,742	B1	11/2004	Chen	
6,105,767	A *	8/2000	Vasudeva .....	206/372	D499,549	S *	12/2004	Rosler .....	D3/282
6,126,004	A	10/2000	Ling		6,857,527	B2	2/2005	Hu	
D434,561	S	12/2000	Vasudeva		D511,040	S *	11/2005	Barrios et al. ....	D3/282
D434,562	S *	12/2000	Huang .....	D3/282	D511,976	S	11/2005	Budrow	
D437,684	S	2/2001	Streich et al.		D517,317	S *	3/2006	Singh .....	D3/282
6,206,189	B1	3/2001	Huot, Jr. et al.		7,175,032	B2	2/2007	Ling	

\* cited by examiner

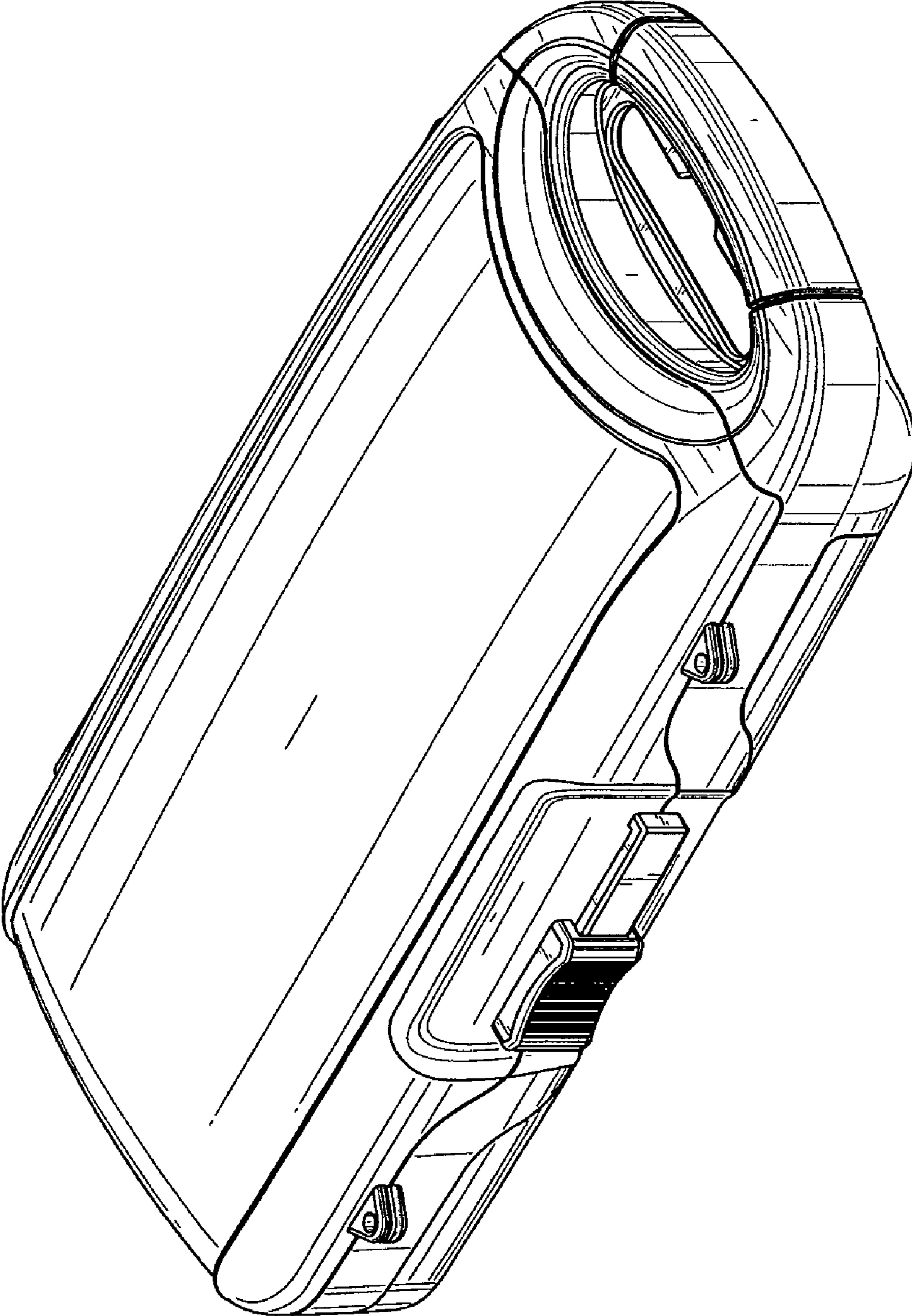


FIG. 1

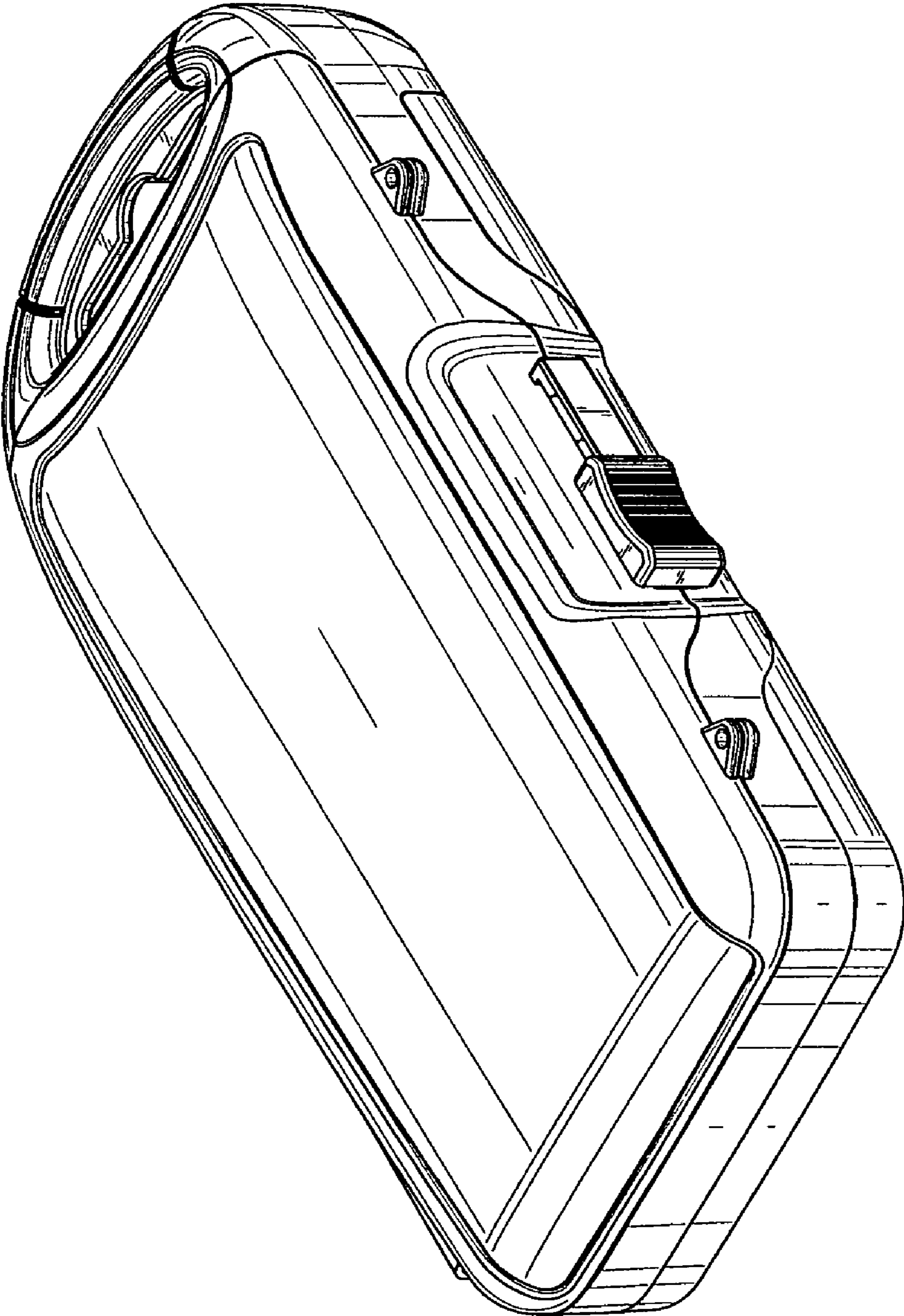


FIG. 2

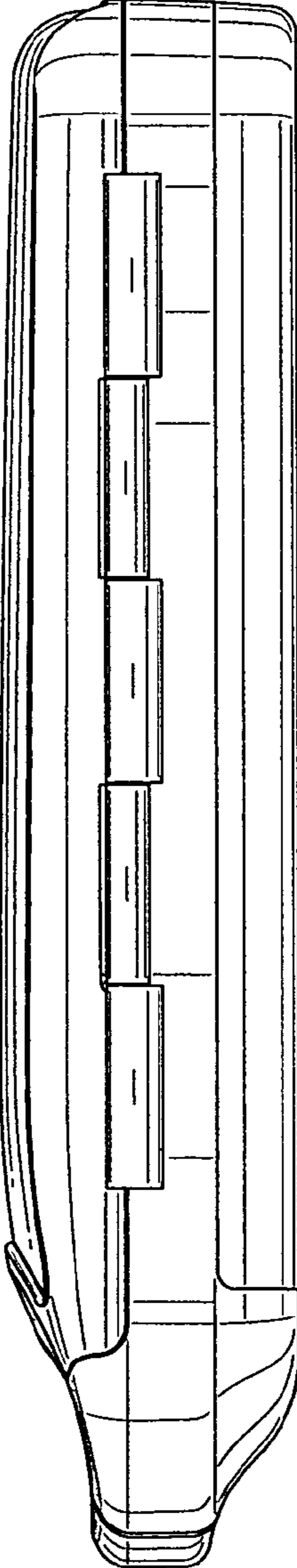


FIG. 3

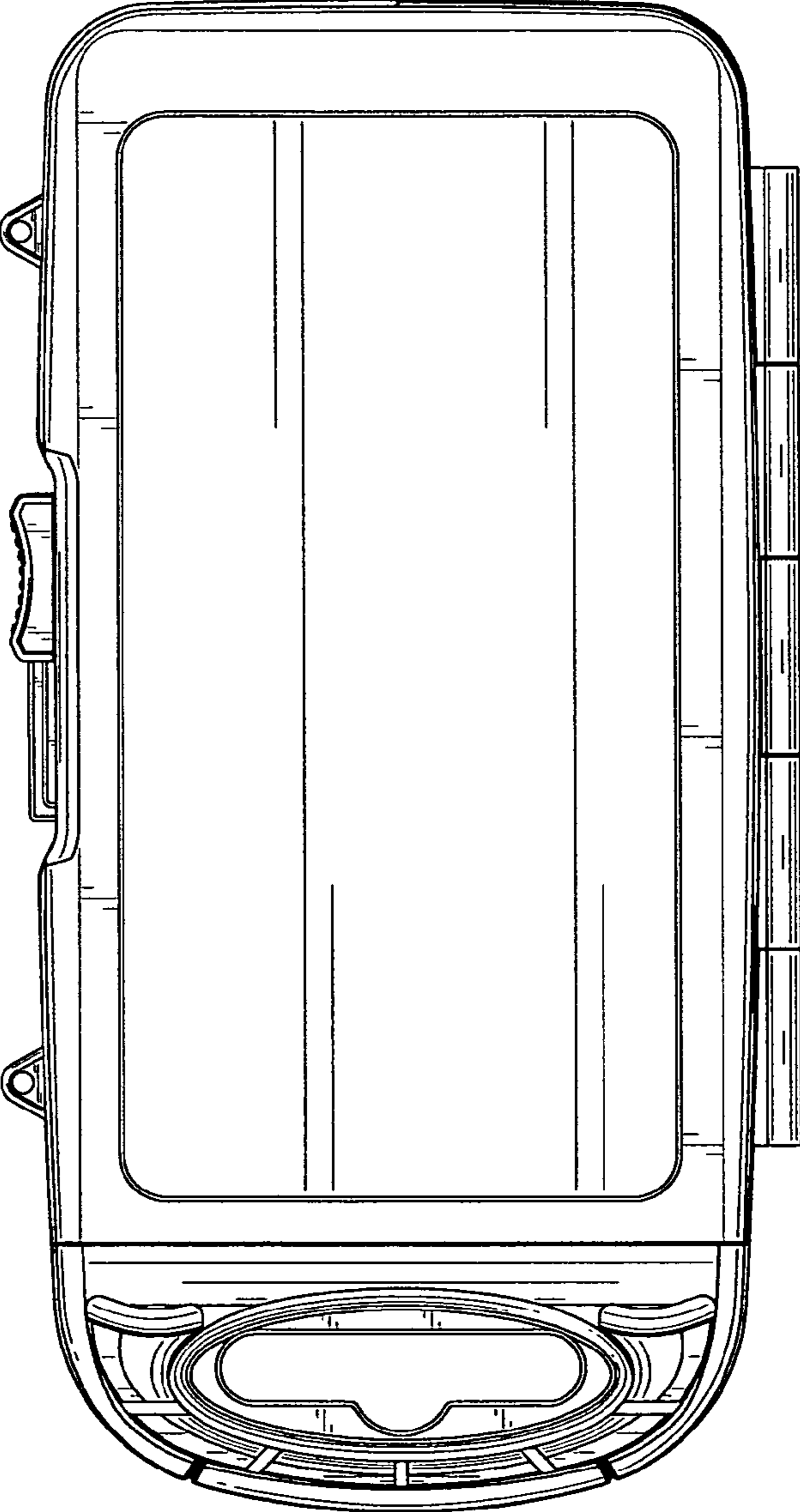


FIG. 4

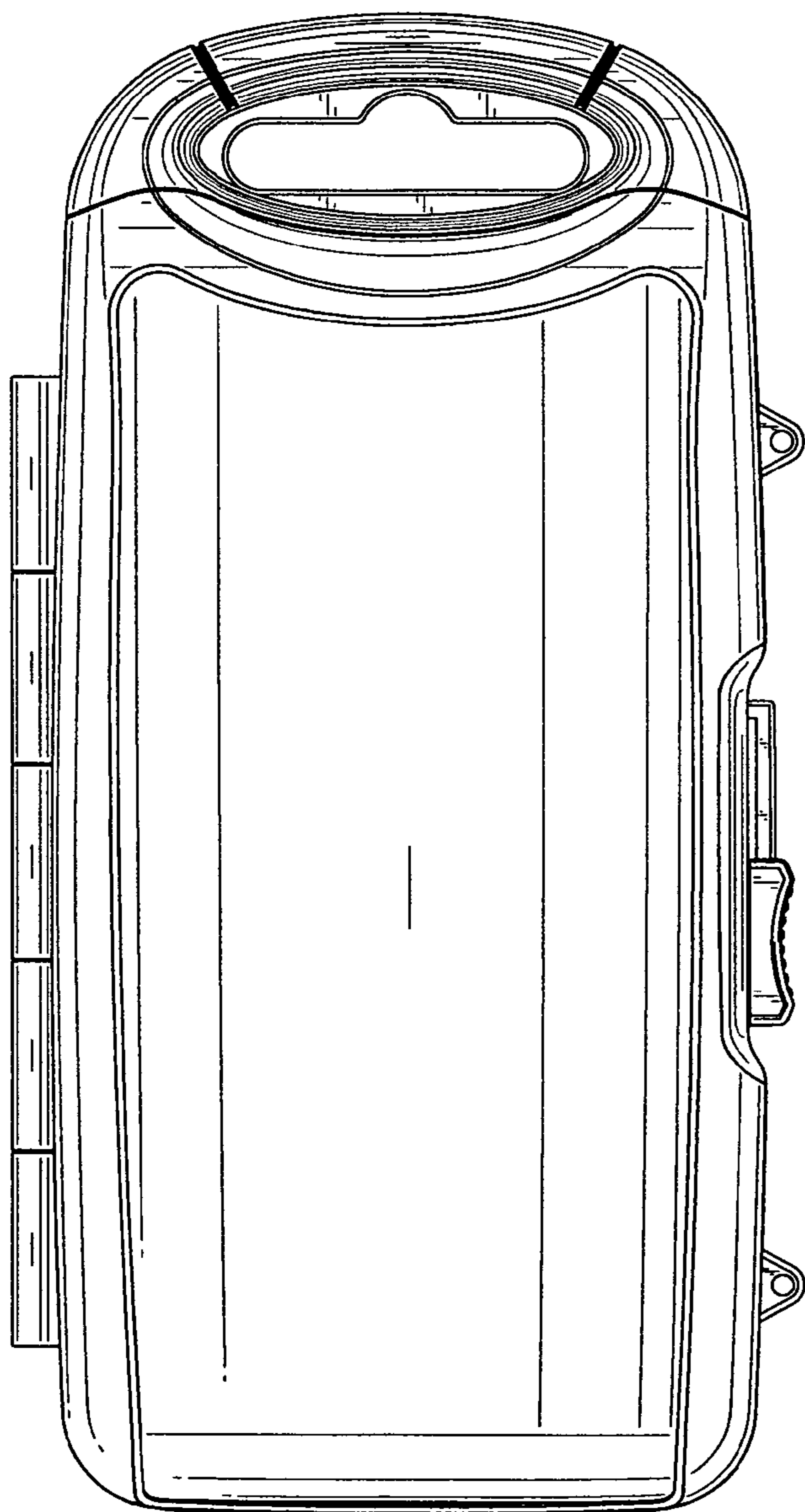


FIG. 5

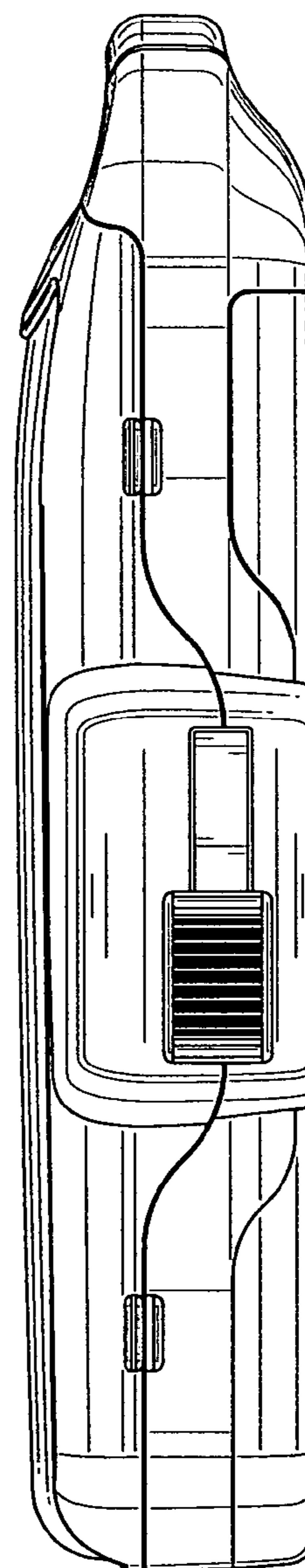


FIG. 6

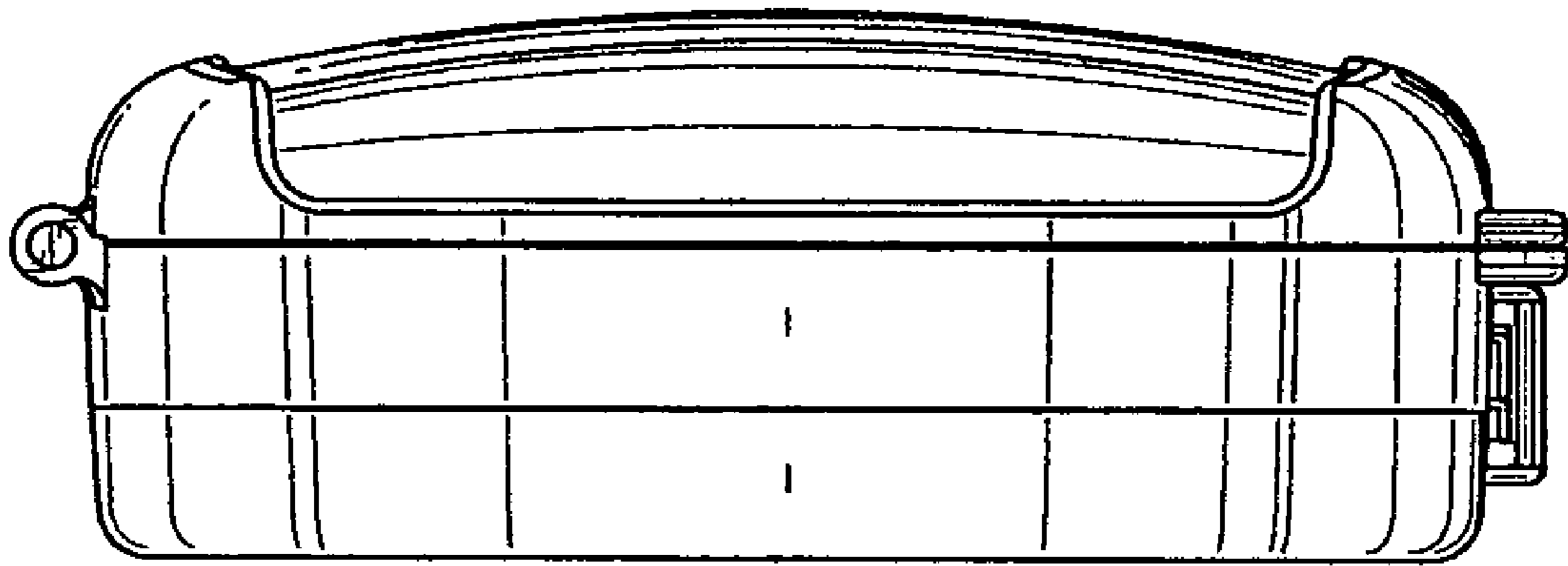


FIG. 7

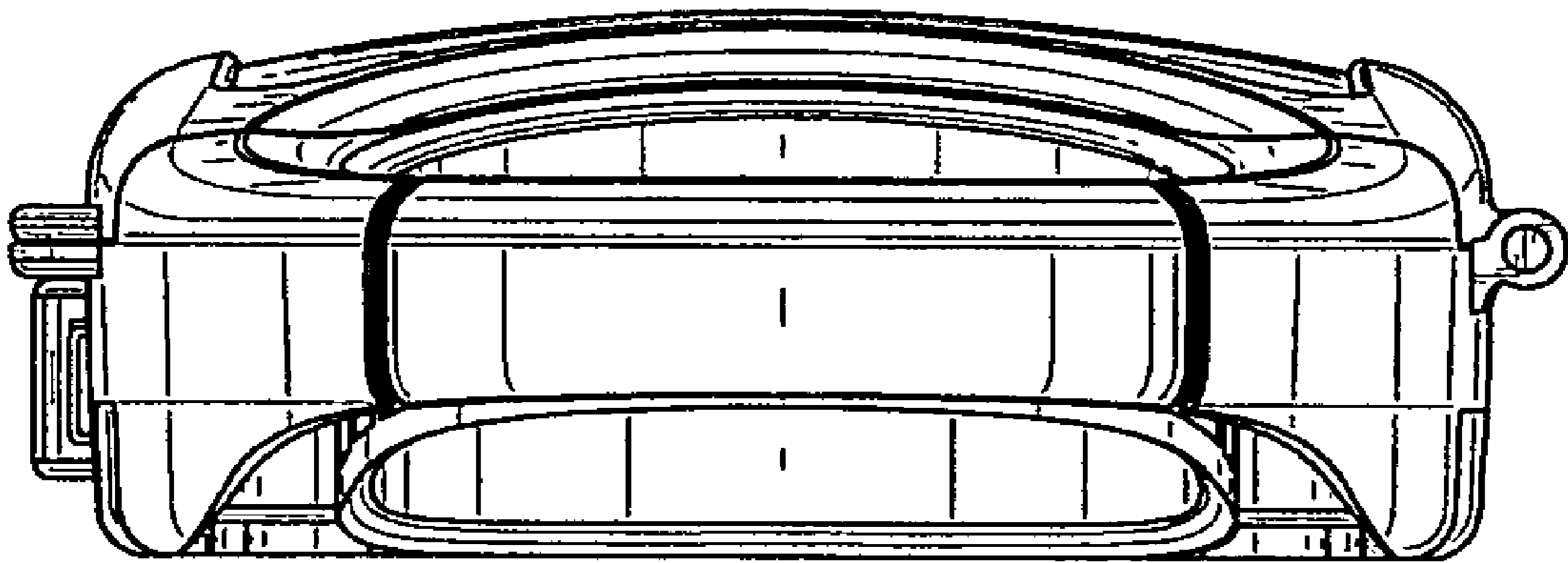


FIG. 8

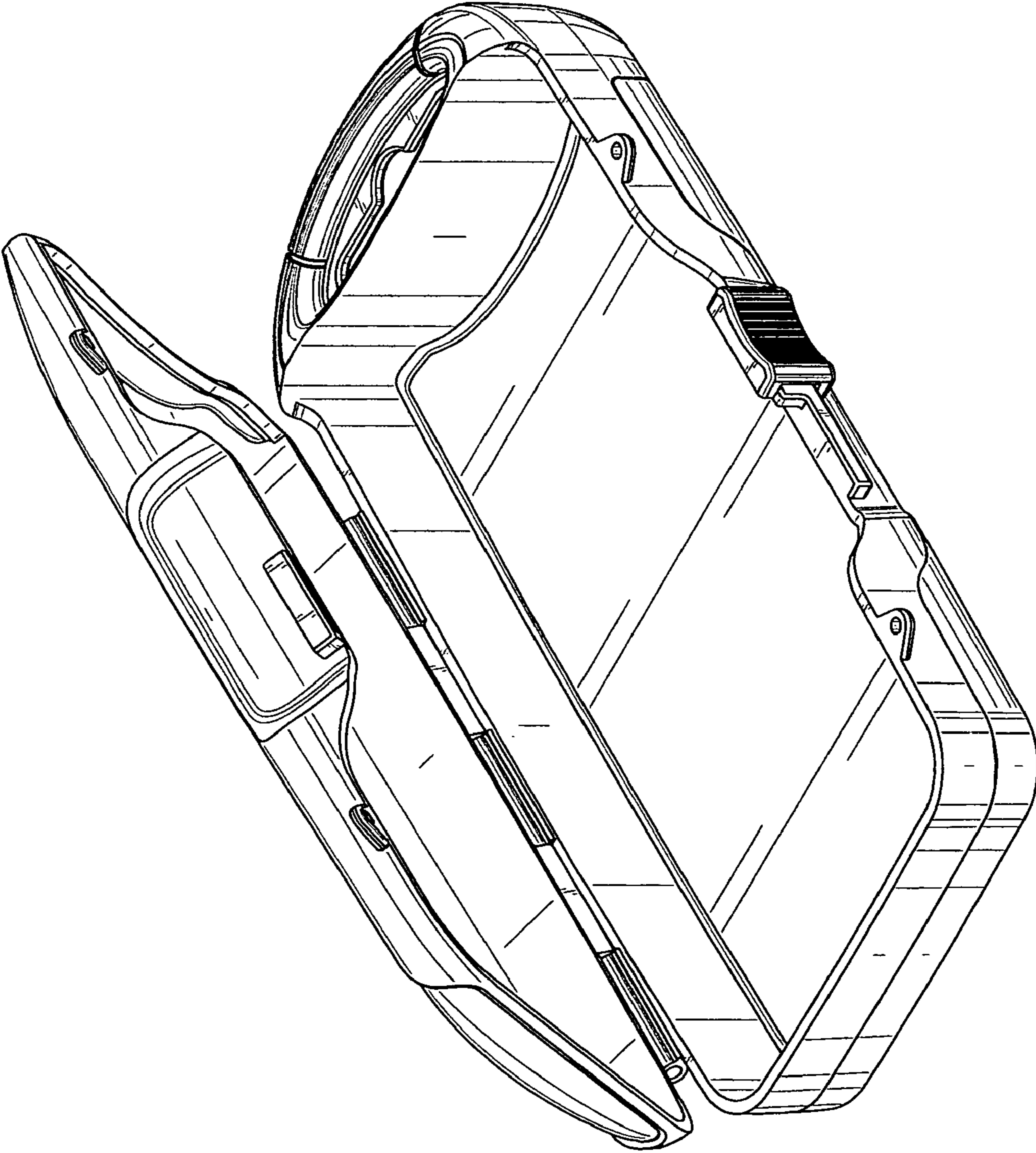


FIG. 9



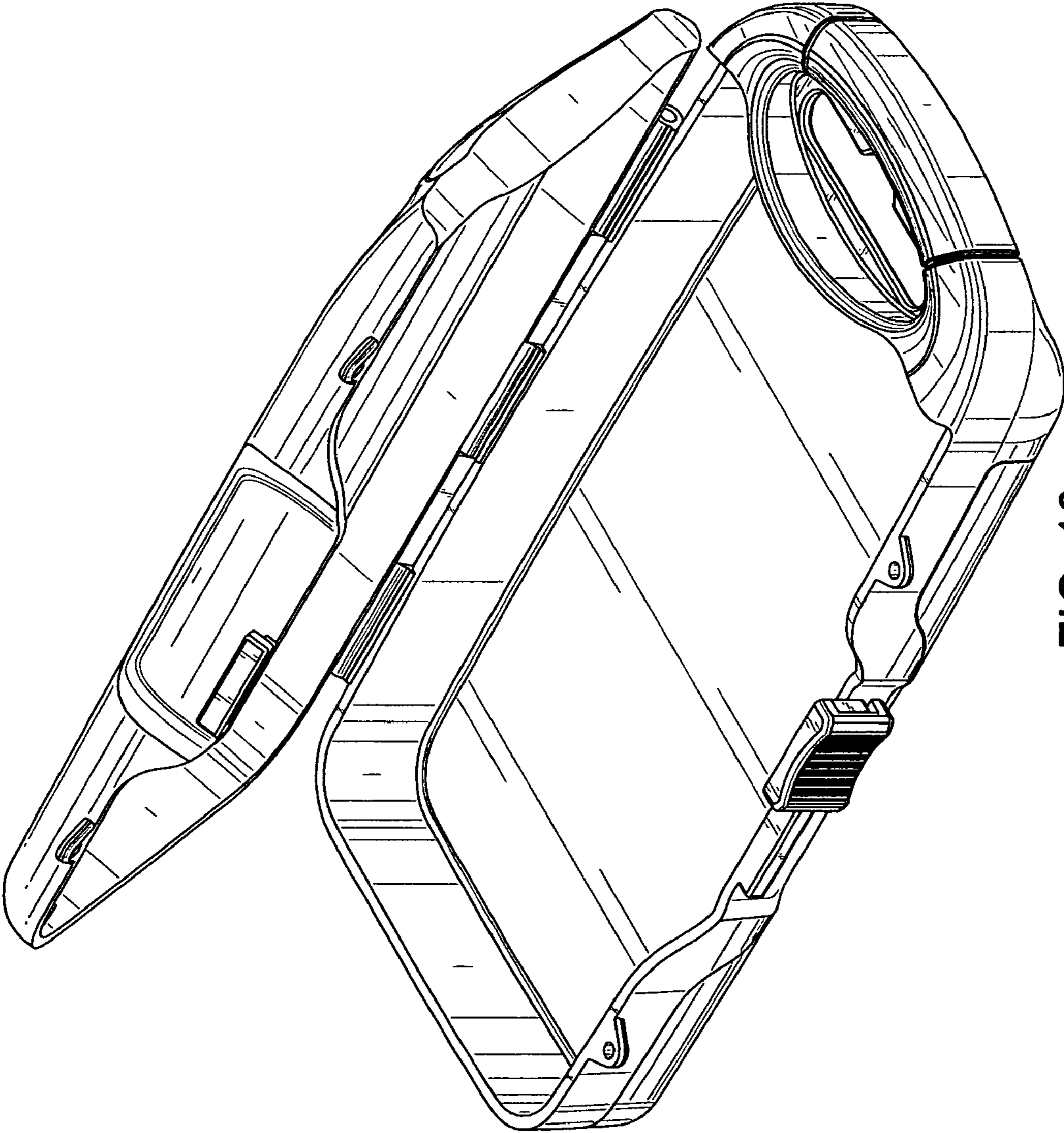


FIG. 10