



US00D617556S

(12) **United States Design Patent**
Molina et al.

(10) **Patent No.:** **US D617,556 S**
(45) **Date of Patent:** **** Jun. 15, 2010**

(54) **STUBBY TOOL CASE**
(75) Inventors: **Francisco Molina**, Davie, FL (US);
Glenn Robinson, Coral Springs, FL
(US); **Joseph Deguglimo**, Boca Raton,
FL (US)
(73) Assignee: **IBT Holdings, Inc.**, Deerfield Beach, FL
(US)

(**) Term: **14 Years**
(21) Appl. No.: **29/316,886**
(22) Filed: **Nov. 12, 2009**

(51) **LOC (9) Cl.** **03-01**
(52) **U.S. Cl.** **D3/282; D3/905**
(58) **Field of Classification Search** D3/201,
D3/273, 274, 282–286, 293–295, 315, 905;
D9/415, 420–424; 206/349, 372–374, 379,
206/375, 377; 312/902

See application file for complete search history.

(56) **References Cited**

U.S. PATENT DOCUMENTS

| | | | |
|---------------|---------|------------------|---------|
| 1,927,110 A | 9/1933 | Bannister et al. | |
| 2,509,507 A | 5/1950 | Kane | |
| 3,154,192 A | 10/1964 | Cowley | |
| 3,516,585 A | 6/1970 | Inwood | |
| 3,583,556 A | 6/1971 | Wagner | |
| D229,366 S | 11/1973 | Yonce | |
| 4,165,805 A | 8/1979 | Fethke et al. | |
| 4,260,057 A | 4/1981 | Wall-Andersen | |
| 4,449,629 A * | 5/1984 | Barrieau | 206/765 |
| 4,450,961 A | 5/1984 | Bies et al. | |
| 4,610,354 A | 9/1986 | Hostetler | |
| D286,103 S | 10/1986 | Blumenthal | |
| 4,872,551 A | 10/1989 | Theros | |
| 4,899,877 A | 2/1990 | Kiernan | |
| 5,133,455 A | 7/1992 | Chow | |
| 5,148,914 A | 9/1992 | Budert et al. | |
| 5,509,528 A | 4/1996 | Weisburn | |
| 5,598,924 A | 2/1997 | McCann | |
| 5,725,107 A | 3/1998 | Dembicks | |
| 5,730,303 A | 3/1998 | Chow | |
| 5,785,174 A | 7/1998 | Chow | |

| | | | |
|---------------|---------|-----------|---------|
| 5,803,254 A * | 9/1998 | Vasudeva | 206/373 |
| D400,010 S * | 10/1998 | Vasudeva | D3/276 |
| D400,709 S | 11/1998 | Chang | |
| 5,887,715 A * | 3/1999 | Vasudeva | 206/373 |
| 5,893,542 A | 4/1999 | Hu | |
| 5,897,001 A | 4/1999 | Dembicks | |
| 5,899,329 A | 5/1999 | Hu et al. | |
| 5,918,741 A | 7/1999 | Vasudeva | |
| D418,977 S | 1/2000 | Streich | |
| D422,787 S * | 4/2000 | Feng | D3/273 |
| 6,044,973 A * | 4/2000 | Vasudeva | 206/372 |
| D426,151 S | 6/2000 | Ling | |
| D429,461 S | 8/2000 | Rowlay | |
| 6,105,767 A * | 8/2000 | Vasudeva | 206/372 |
| 6,126,004 A | 10/2000 | Ling | |

(Continued)

Primary Examiner—Prabhakar Deshmukh
(74) *Attorney, Agent, or Firm*—Dan M. DeLa Rosa

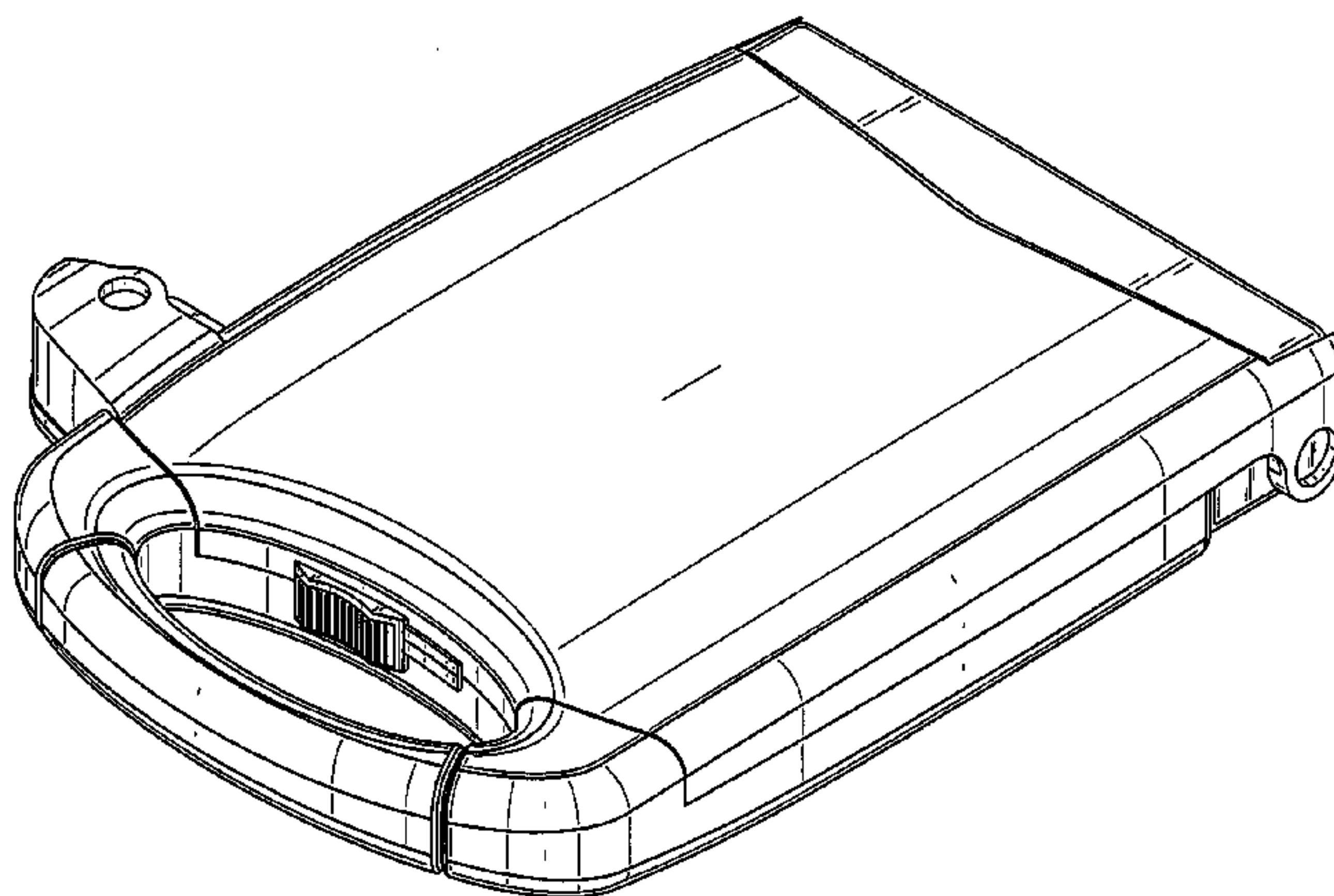
(57) **CLAIM**

The ornamental design for a stubby tool case, as shown and described.

DESCRIPTION

FIG. 1 is a front perspective view of the stubby tool case of the present invention in a closed position showing my new design;
FIG. 2 is another perspective view of the stubby tool case in a closed position;
FIG. 3 is a side elevational view thereof;
FIG. 4 is a front side elevational view thereof;
FIG. 5 is another side elevational view thereof;
FIG. 6 is a back side elevational view thereof;
FIG. 7 is a top plan view thereof;
FIG. 8 is a bottom plan view thereof;
FIG. 9 is a perspective view of the stubby tool case in an opened position; and,
FIG. 10 is another perspective view of the stubby tool case in an opened position.

1 Claim, 8 Drawing Sheets



US D617,556 S

Page 2

U.S. PATENT DOCUMENTS

| | | | | | | | |
|--------------|---------|----------------------|--------|--------------|---------|---------------------|--------|
| D434,561 S | 12/2000 | Vasudeva | | D483,180 S | 12/2003 | Chen | |
| D434,562 S * | 12/2000 | Huang | D3/282 | 6,685,018 B1 | 2/2004 | Chuan | |
| D437,684 S | 2/2001 | Streich et al. | | 6,712,224 B2 | 3/2004 | Ling | |
| 6,206,189 B1 | 3/2001 | Huot, Jr. et al. | | 6,820,742 B1 | 11/2004 | Chen | |
| 6,375,005 B1 | 4/2002 | McCann | | D499,549 S * | 12/2004 | Rosler | D3/282 |
| 6,409,015 B1 | 6/2002 | Hu | | 6,857,527 B2 | 2/2005 | Hu | |
| 6,464,840 B1 | 10/2002 | McCann | | D511,040 S * | 11/2005 | Barrios et al. | D3/282 |
| D468,531 S | 1/2003 | Hsu | | D511,976 S | 11/2005 | Budrow | |
| D474,340 S * | 5/2003 | Vasudeva | D3/282 | D517,317 S * | 3/2006 | Singh | D3/282 |
| D478,725 S * | 8/2003 | Vasudeva et al. | D3/282 | 7,175,032 B2 | 2/2007 | Ling | |

* cited by examiner

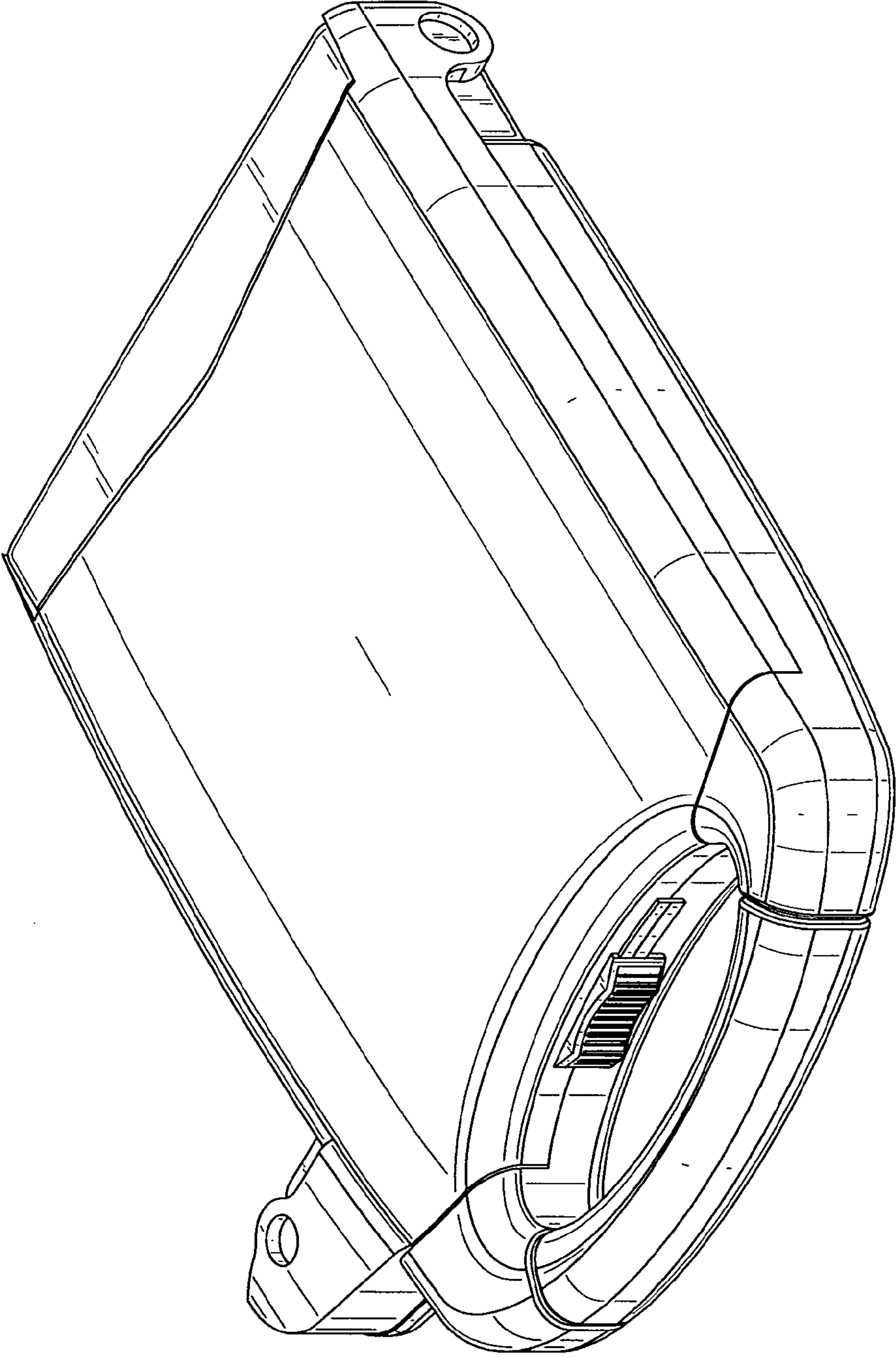


FIG. 1

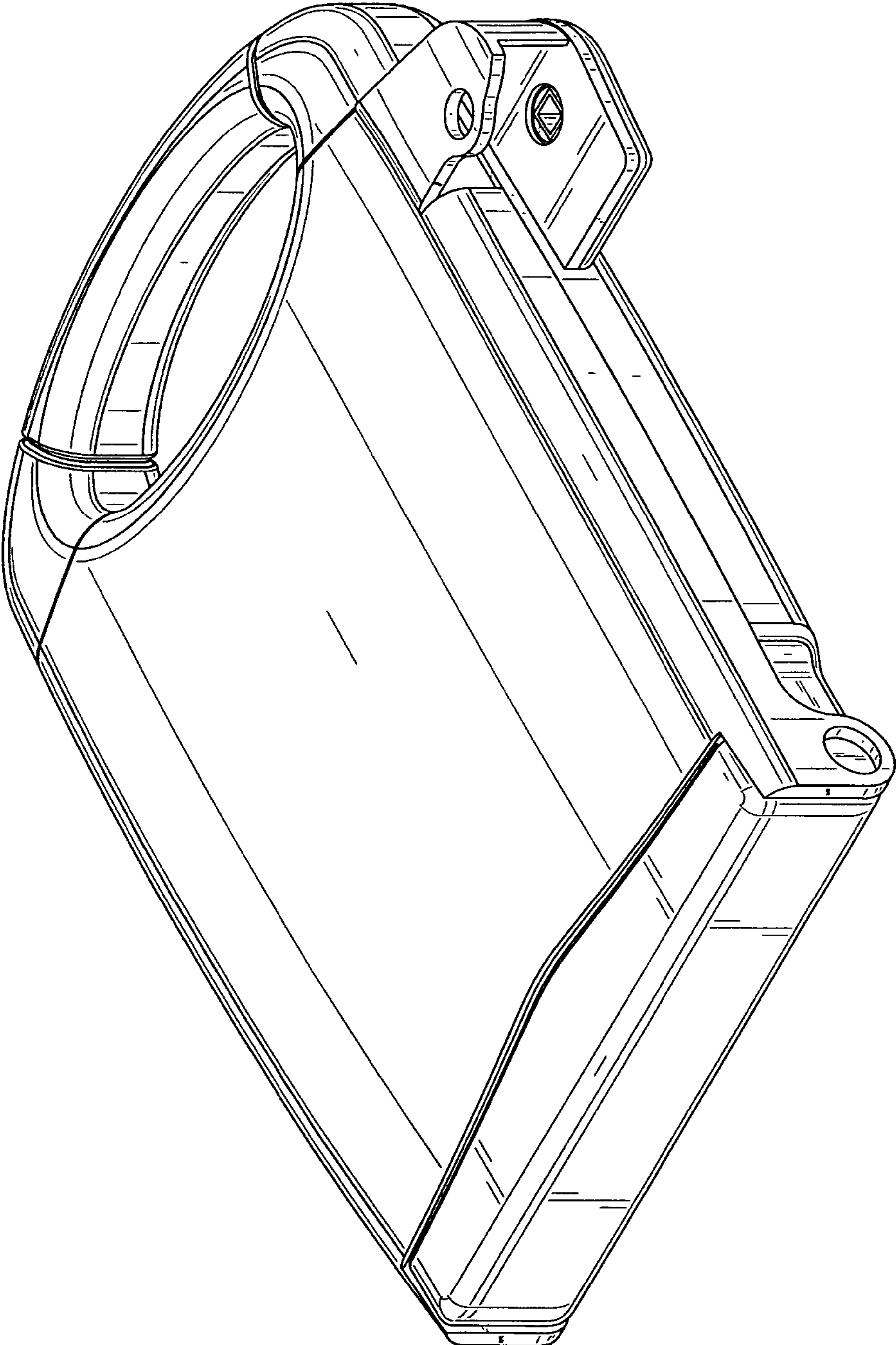


FIG. 2

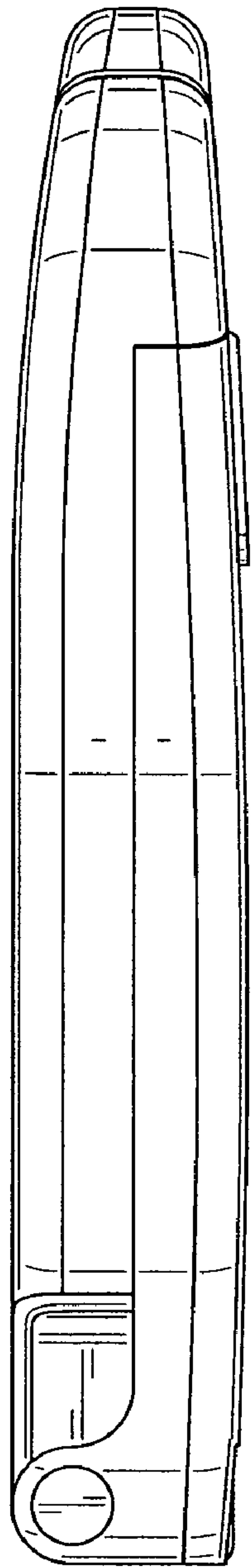


FIG. 3

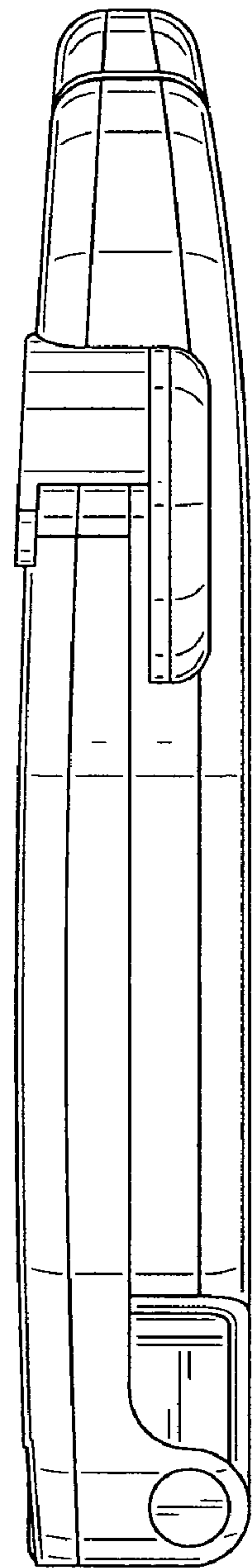


FIG. 5

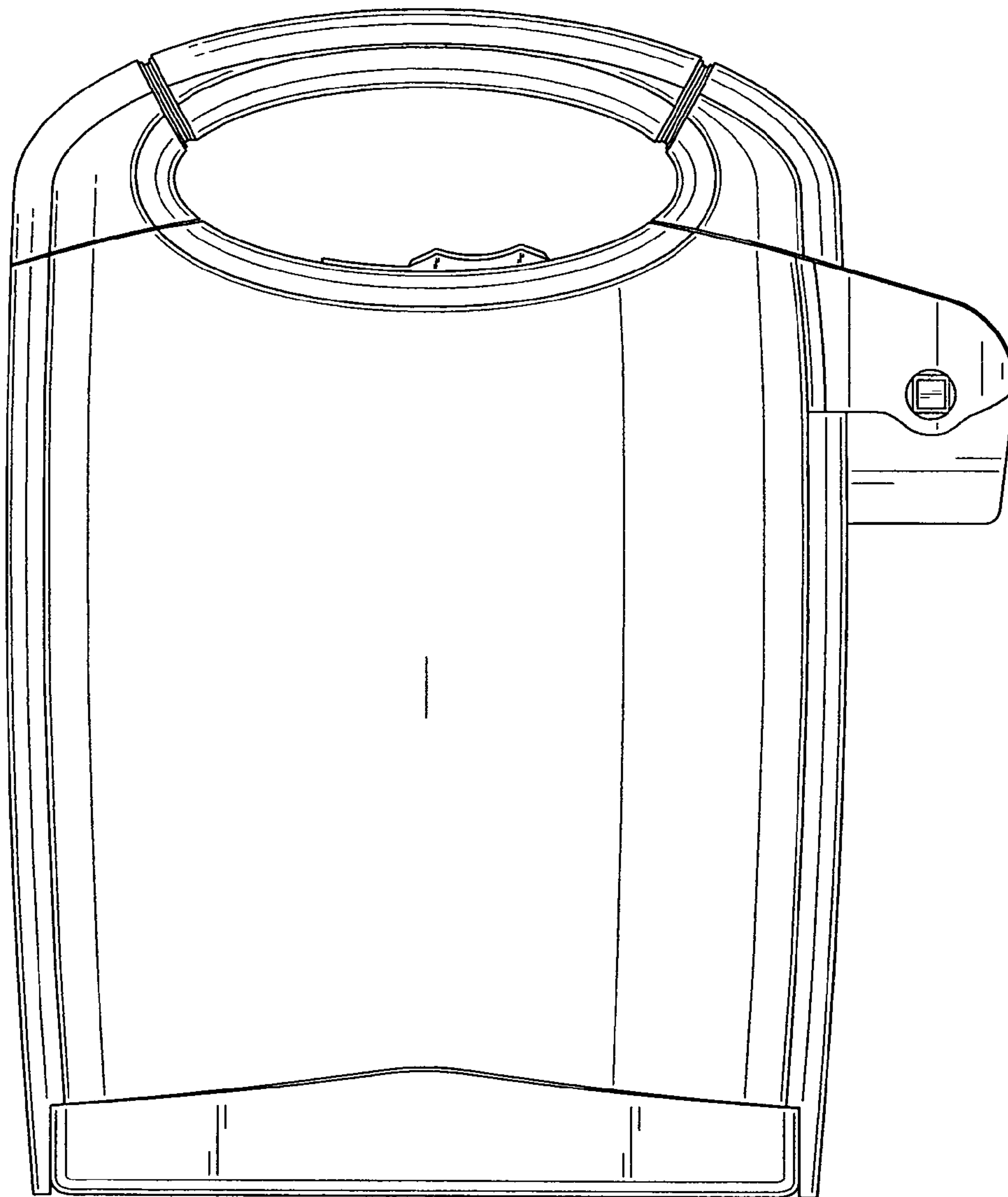


FIG. 4

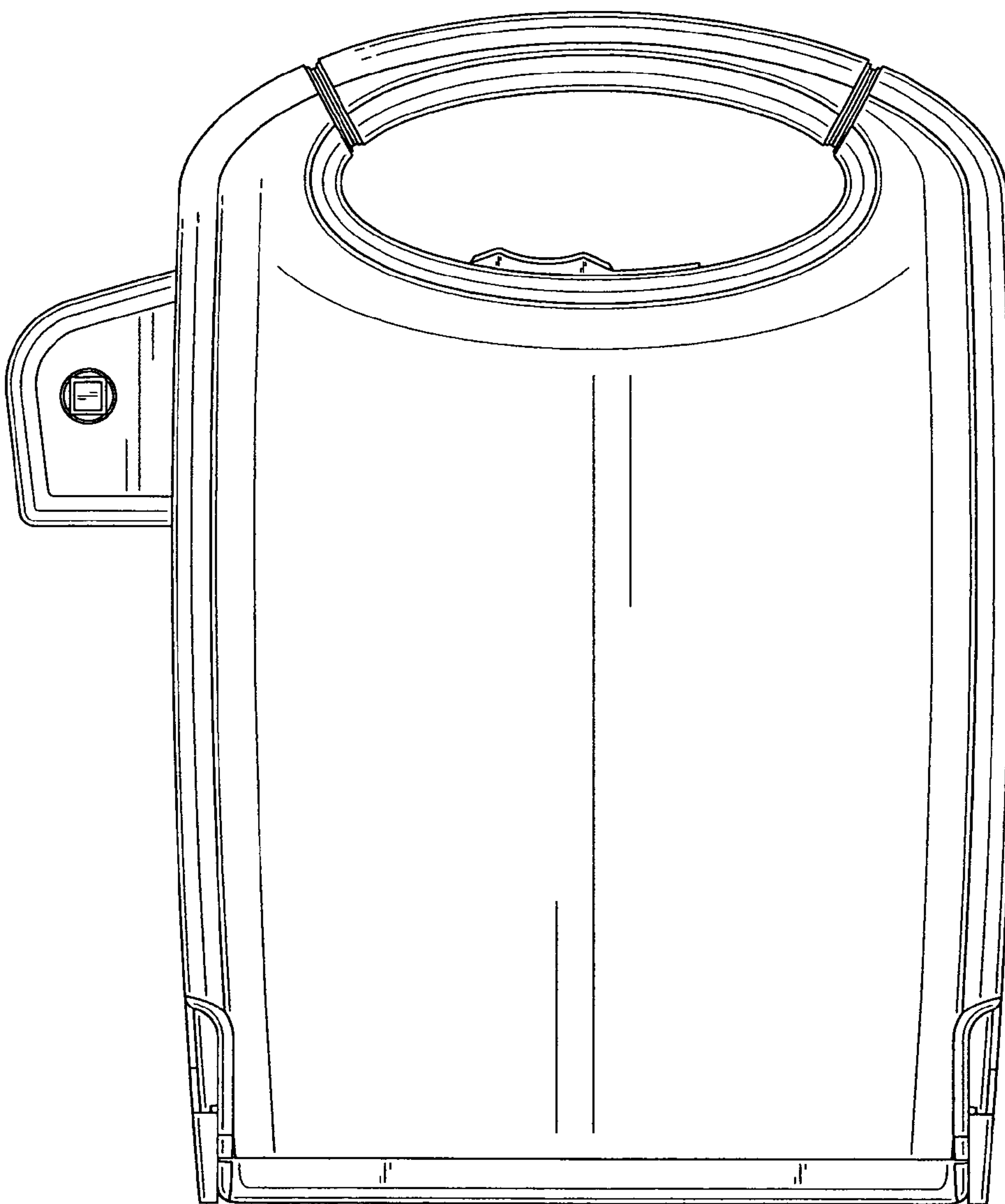


FIG. 6

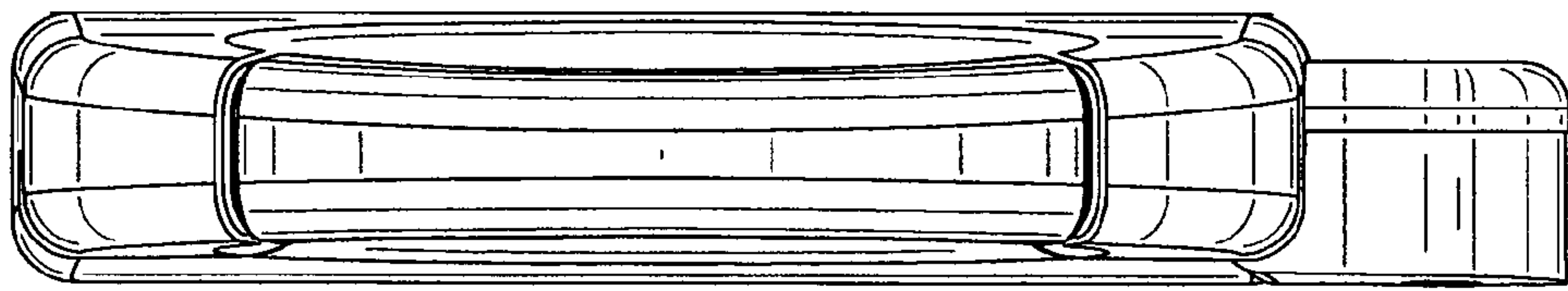


FIG. 7

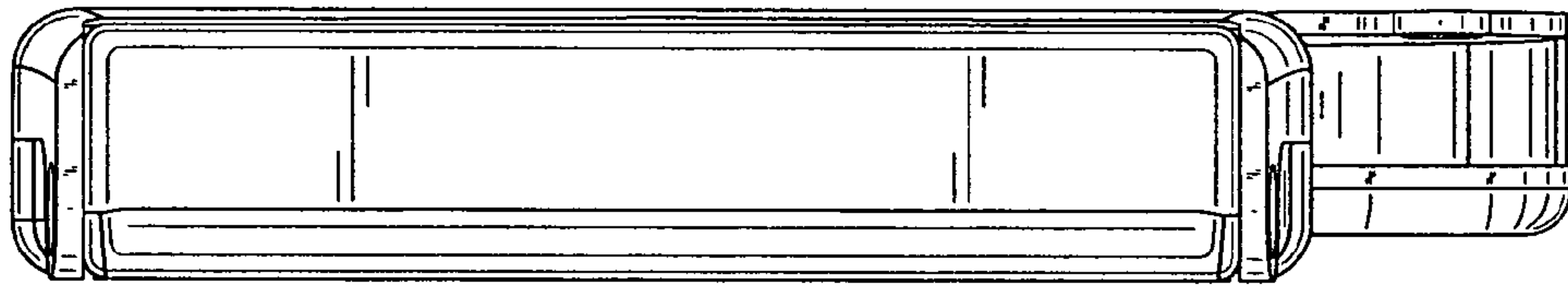


FIG. 8

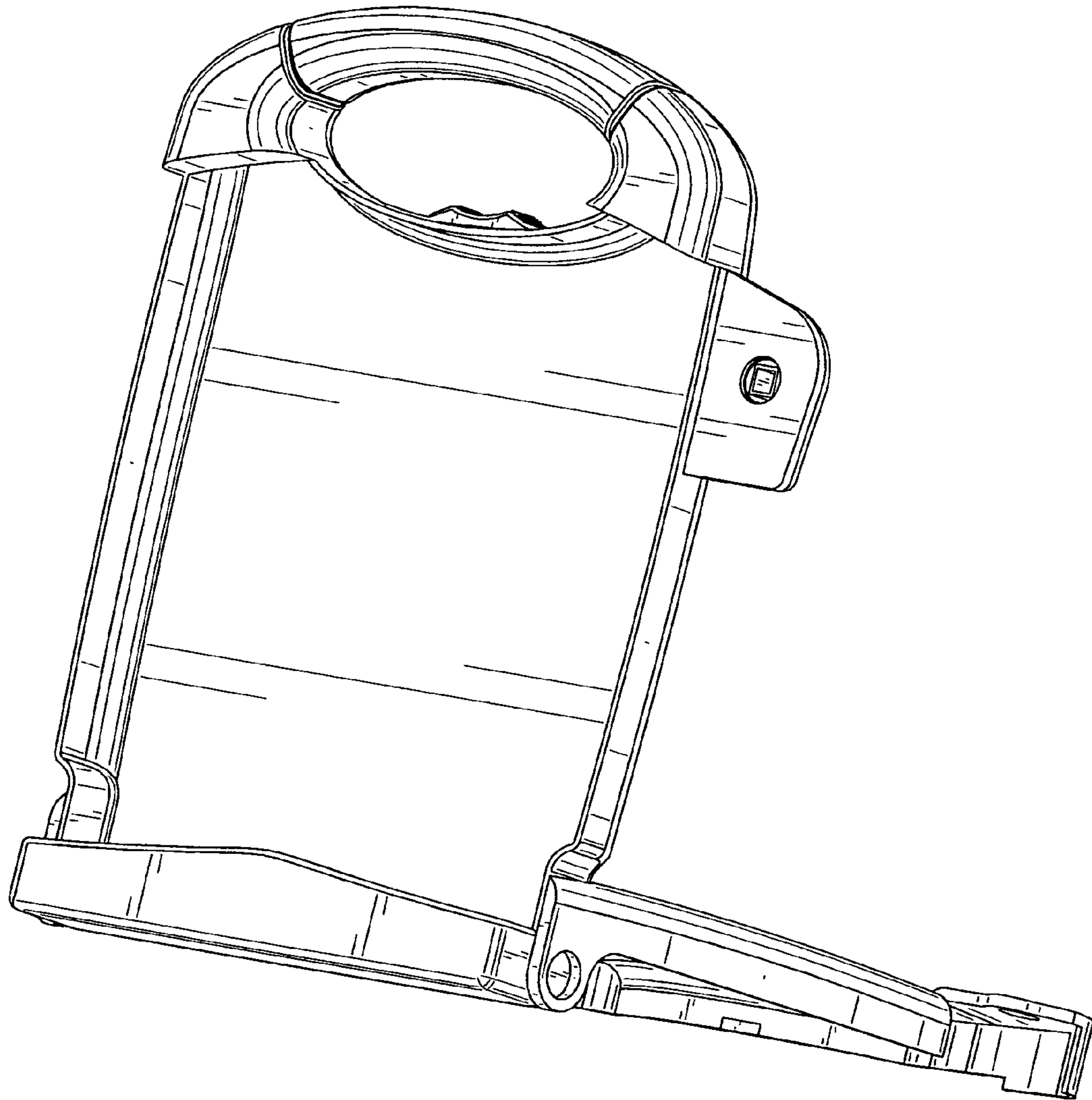


FIG. 9

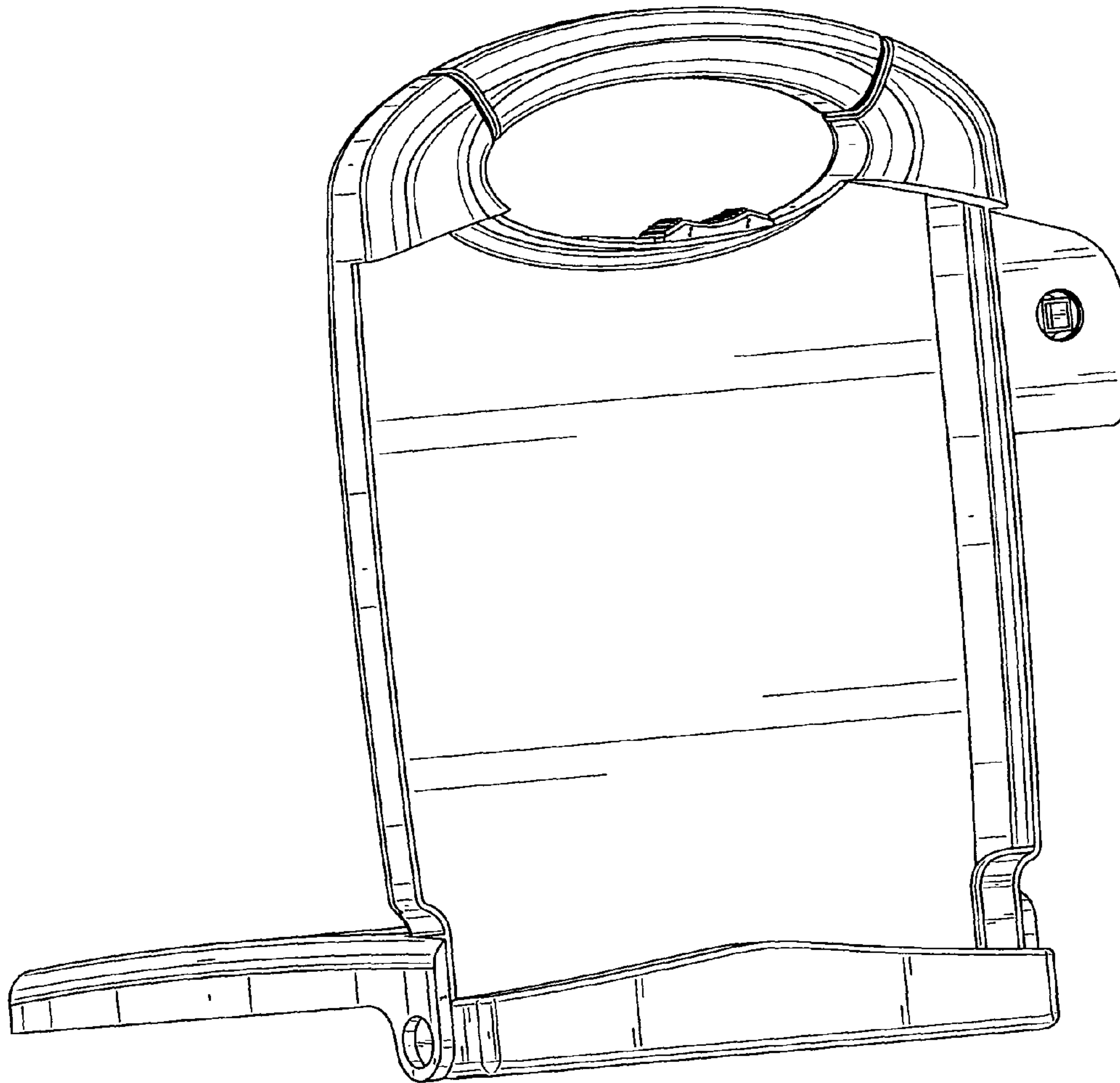


FIG. 10