



US00D617552S

(12) **United States Design Patent**
Martin, Jr.

(10) **Patent No.:** **US D617,552 S**
(45) **Date of Patent:** **** Jun. 15, 2010**

(54) **BOTTLE CARRIER**

(75) Inventor: **Reginald G. Martin, Jr.**, Clearwater, FL (US)

(73) Assignee: **Bufkor, Inc.**, Clearwater, FL (US)

(**) Term: **14 Years**

(21) Appl. No.: **29/336,614**

(22) Filed: **May 6, 2009**

(51) **LOC (9) Cl.** **03-01**

(52) **U.S. Cl.** **D3/229**

(58) **Field of Classification Search** D3/229,
D3/202; D7/620, 622, 607; 224/148.2, 148.3-148.6,
224/250, 674-675, 901.4; D9/431, 432,
D9/433, 419; 206/142, 169, 194; 229/117,
229/117.14, 117.15; 248/205.2, 205.3, 205.4,
248/311.2

See application file for complete search history.

(56) **References Cited**

U.S. PATENT DOCUMENTS

2,513,495	A *	7/1950	Koerber	206/142
D353,520	S *	12/1994	Schwartz	D7/607
D378,022	S *	2/1997	Chen	D3/229
5,622,346	A *	4/1997	Story, Jr.	248/311.2
D395,007	S *	6/1998	Miller et al.	D9/433
D503,884	S *	4/2005	Camilleri-Oller et al.	D9/432

* cited by examiner

Primary Examiner—Catherine R Oliver

(74) *Attorney, Agent, or Firm*—Michael J. Striker

(57) **CLAIM**

The ornamental design for a bottle carrier, as shown and described.

DESCRIPTION

FIG. 1 is a perspective view of a bottle carrier showing my new design, with the carrier shown broken away to indicate indeterminate length;

FIG. 2 is a perspective view thereof showing the bottle and handle in dashed lines;

FIG. 3 is a side view thereof which is a mirror image of the opposite side thereof;

FIG. 4 is a front view thereof which is a mirror image of the rear view thereof;

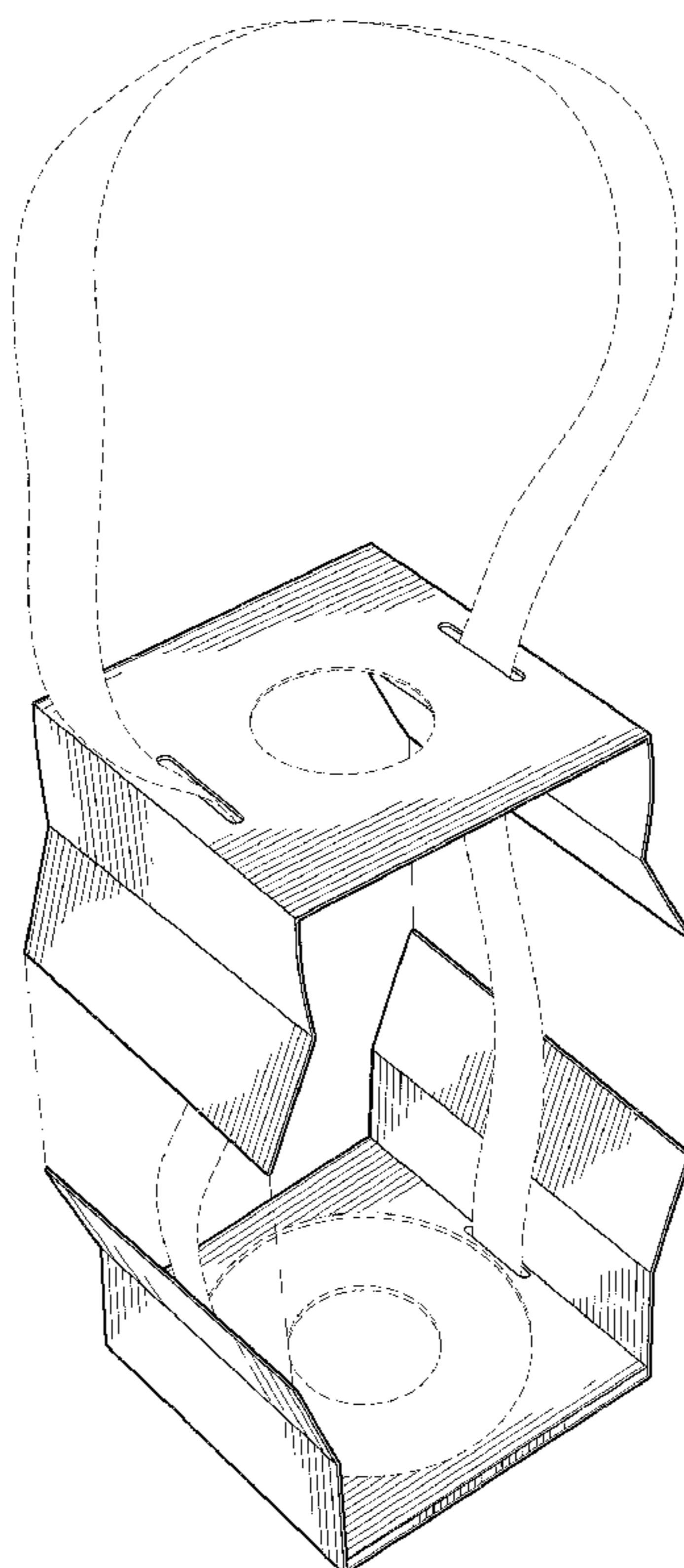
FIG. 5 is a bottom view thereof;

FIG. 6 is a top view thereof;

FIG. 7 is a perspective view of the bottle carrier in a folded configuration; and,

FIG. 8 is a perspective view of the bottle carrier in a folded configuration installed on the neck of a bottle.

1 Claim, 6 Drawing Sheets



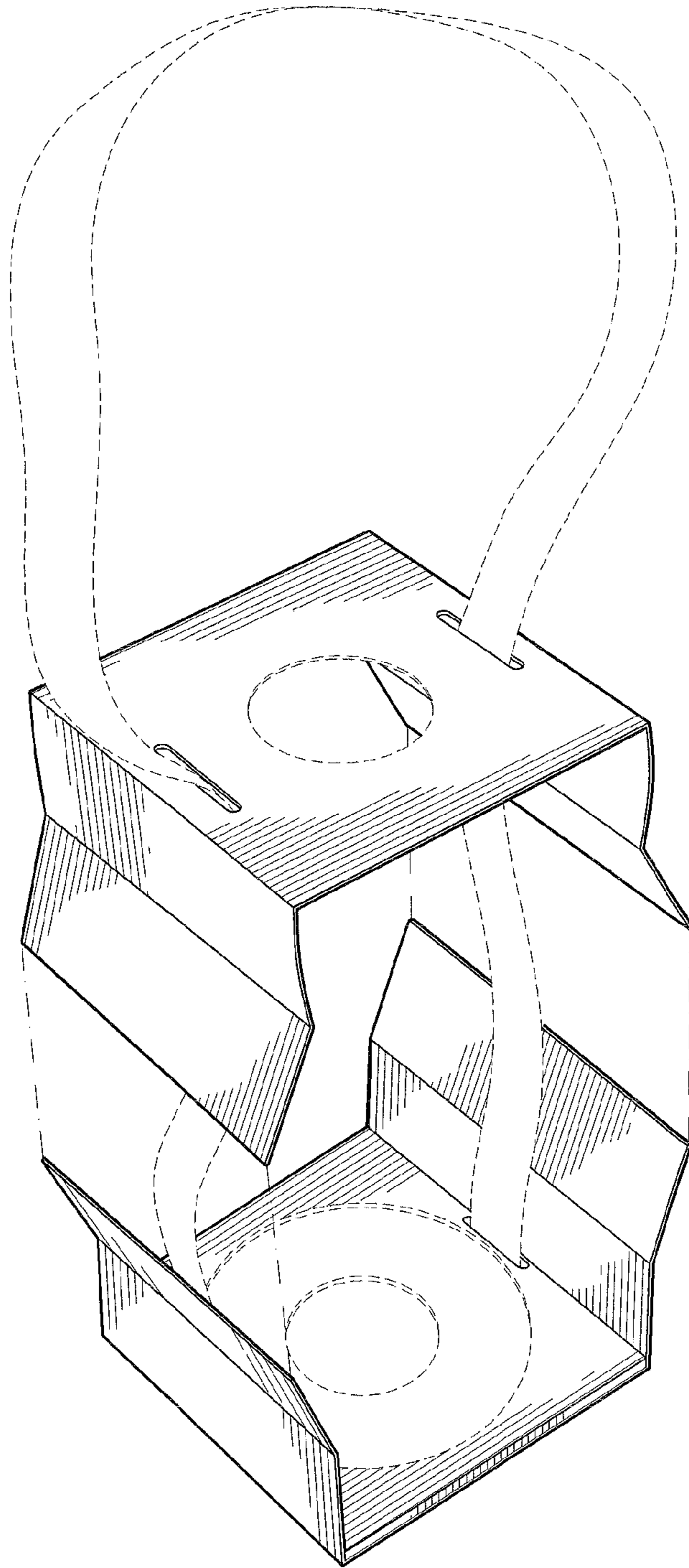


FIG. 1

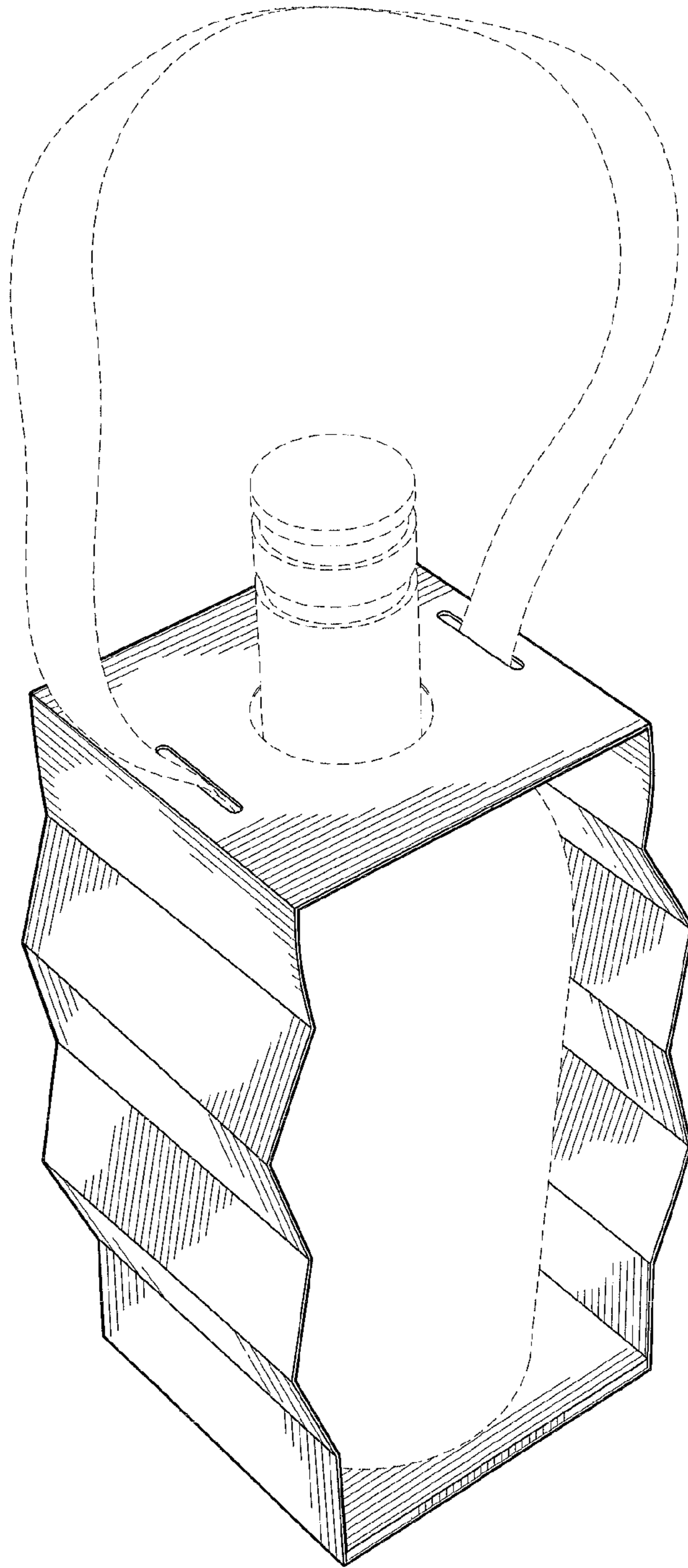


FIG. 2

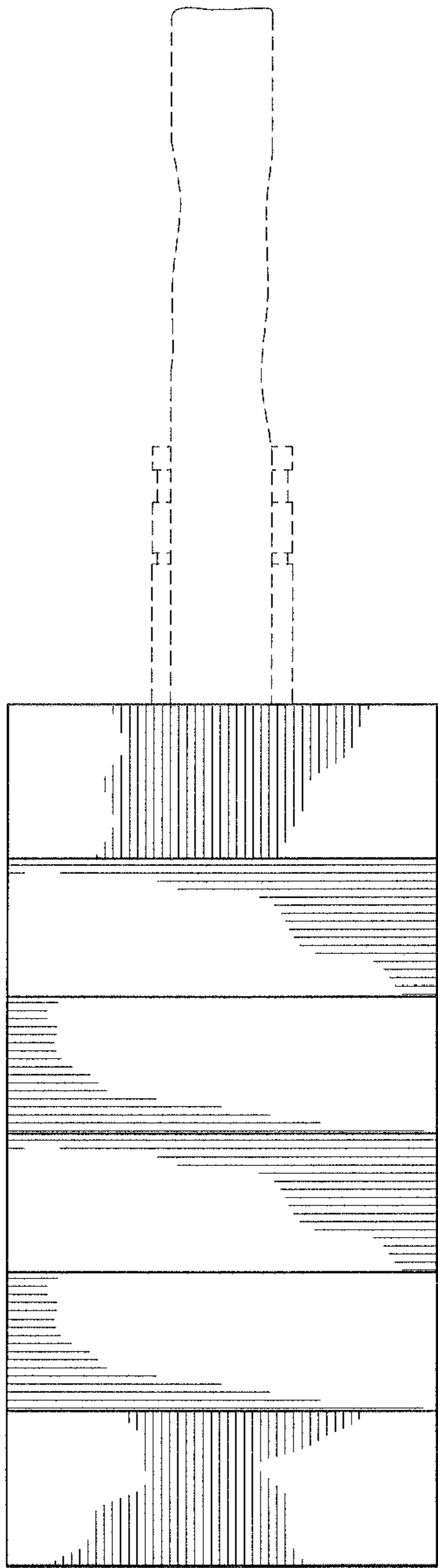


FIG. 3

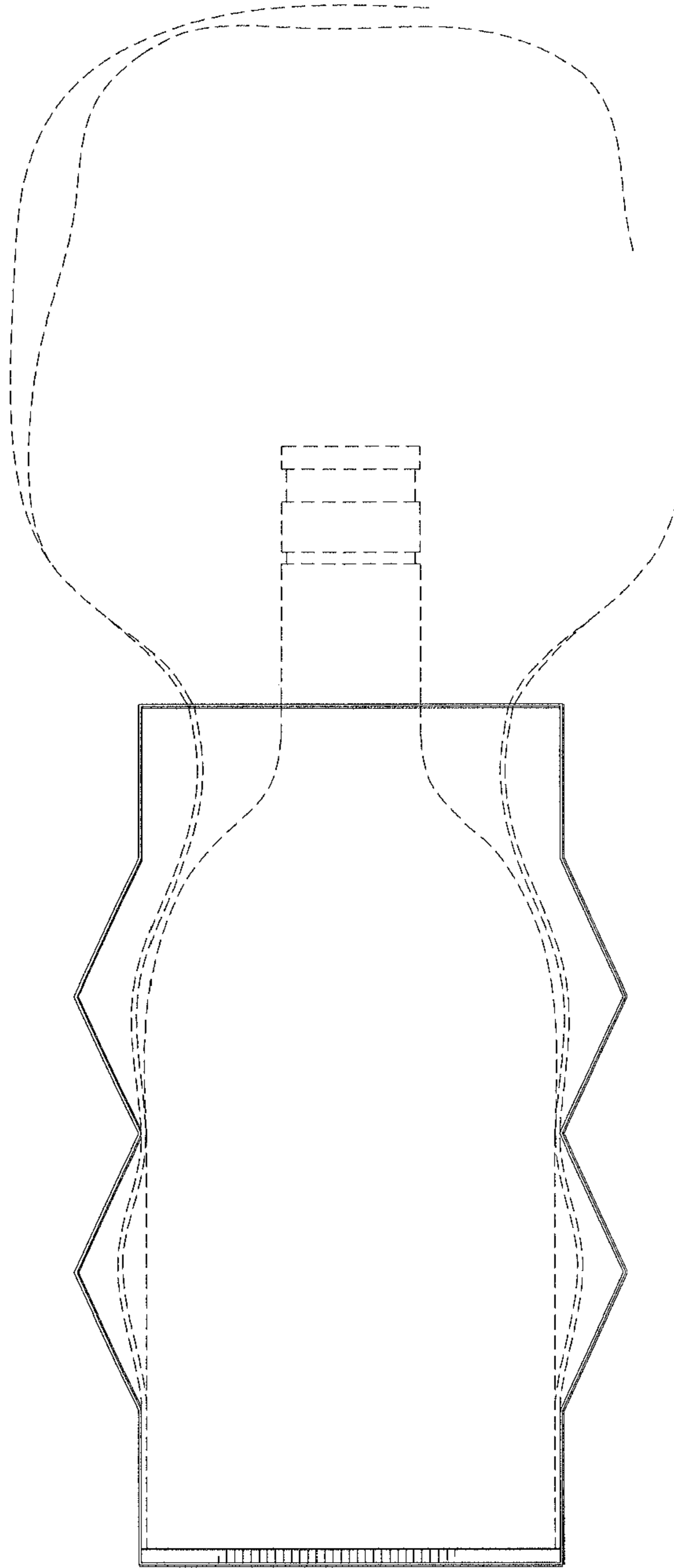


FIG. 4

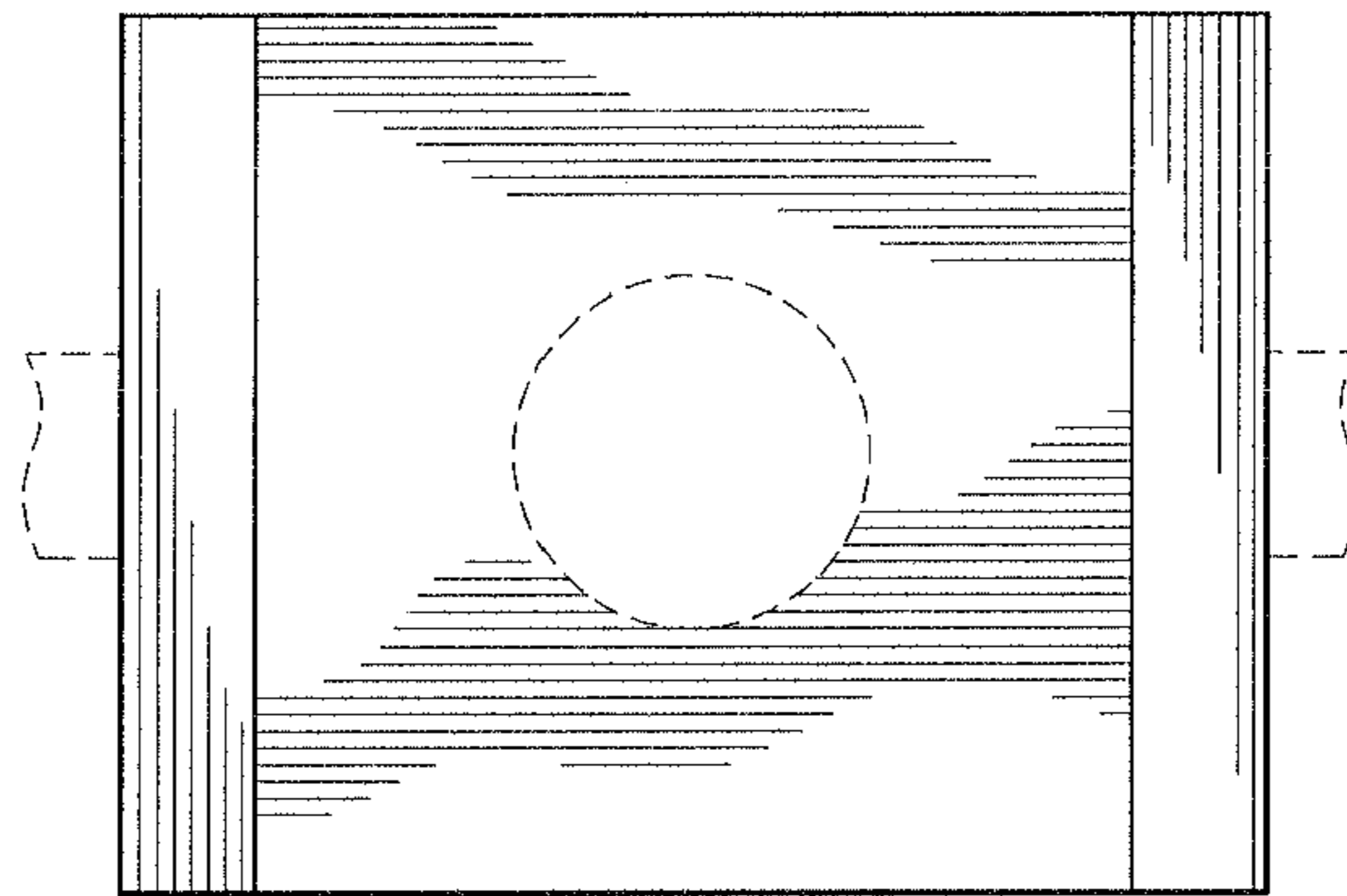


FIG. 5

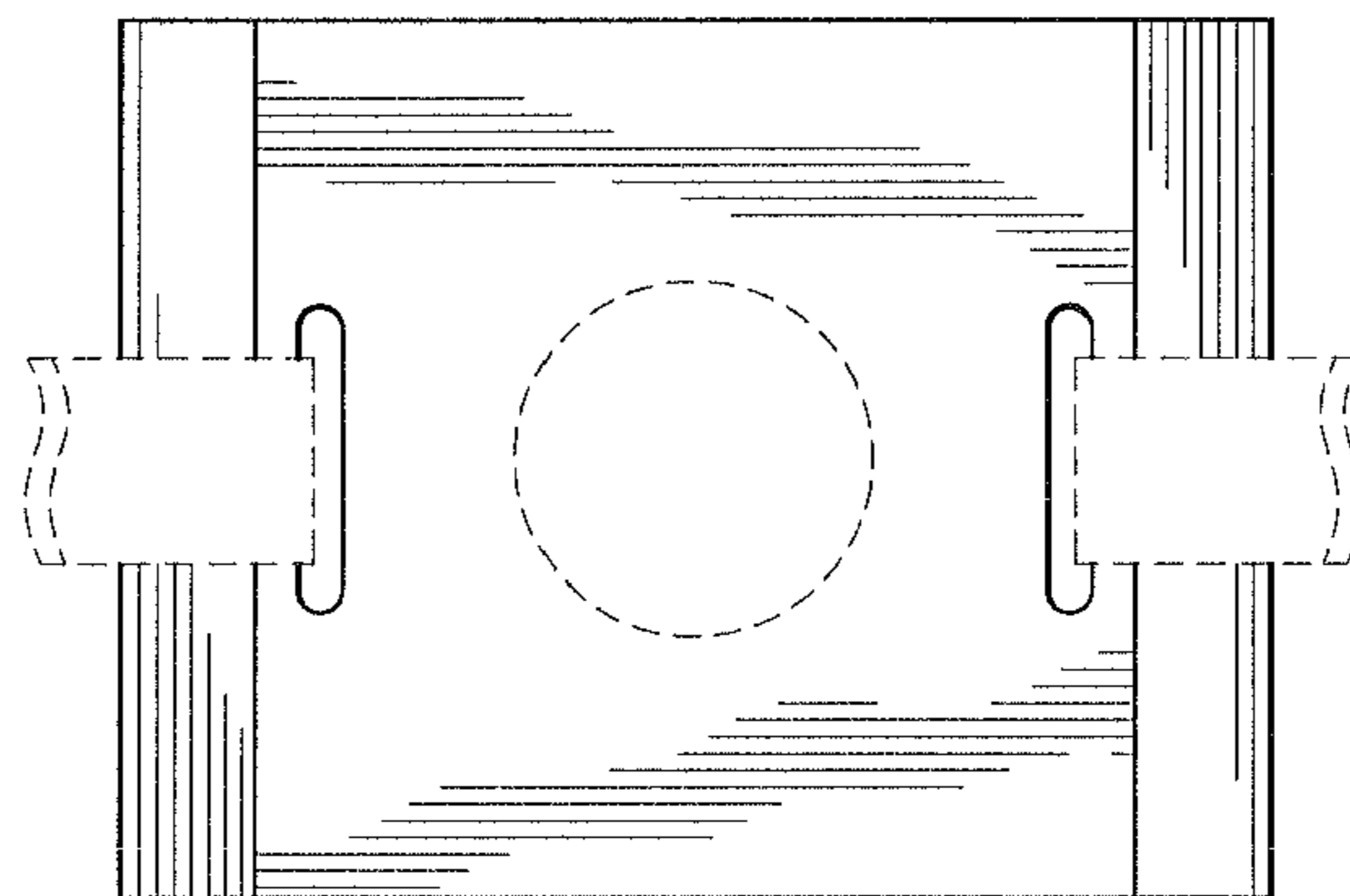


FIG. 6

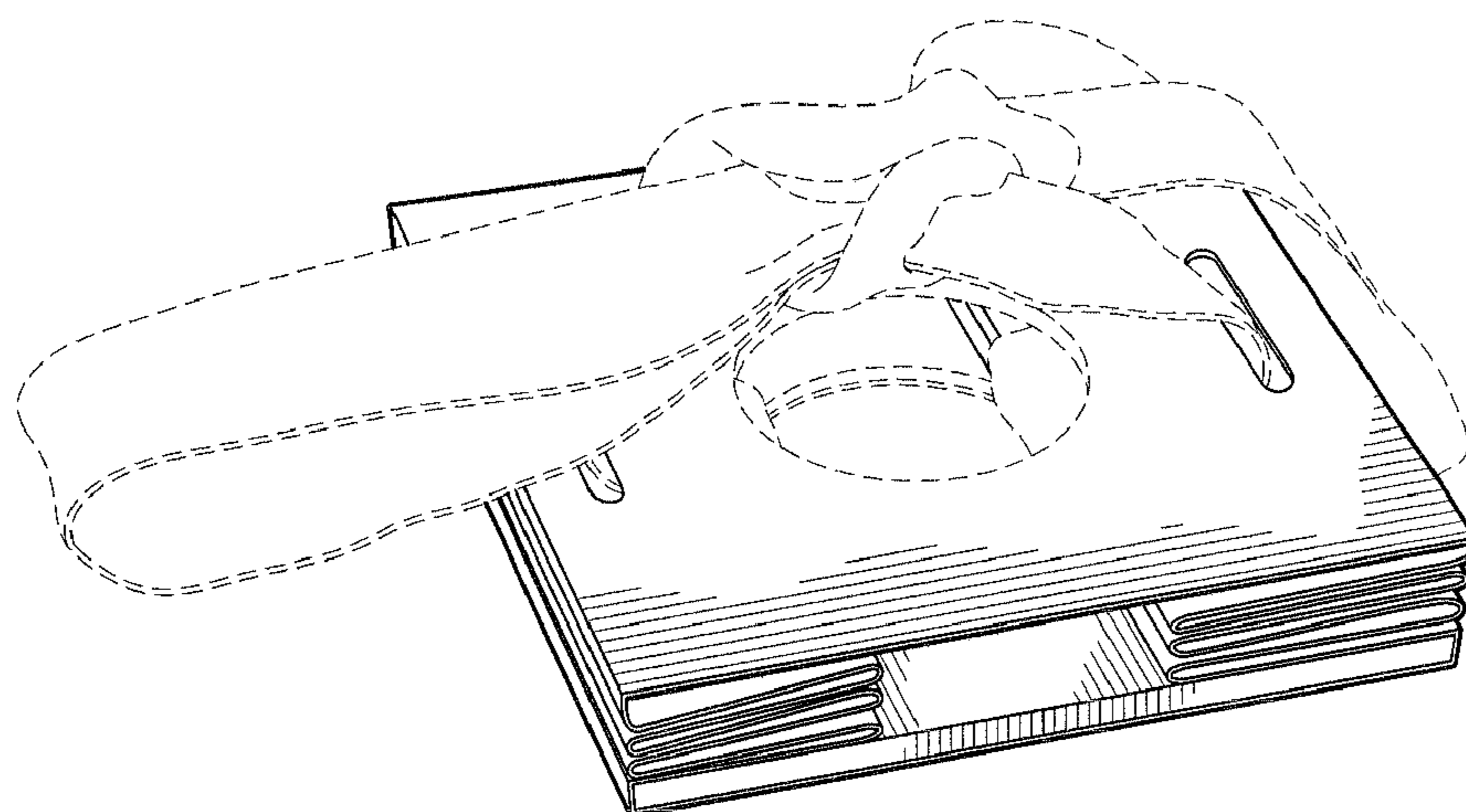


FIG. 7

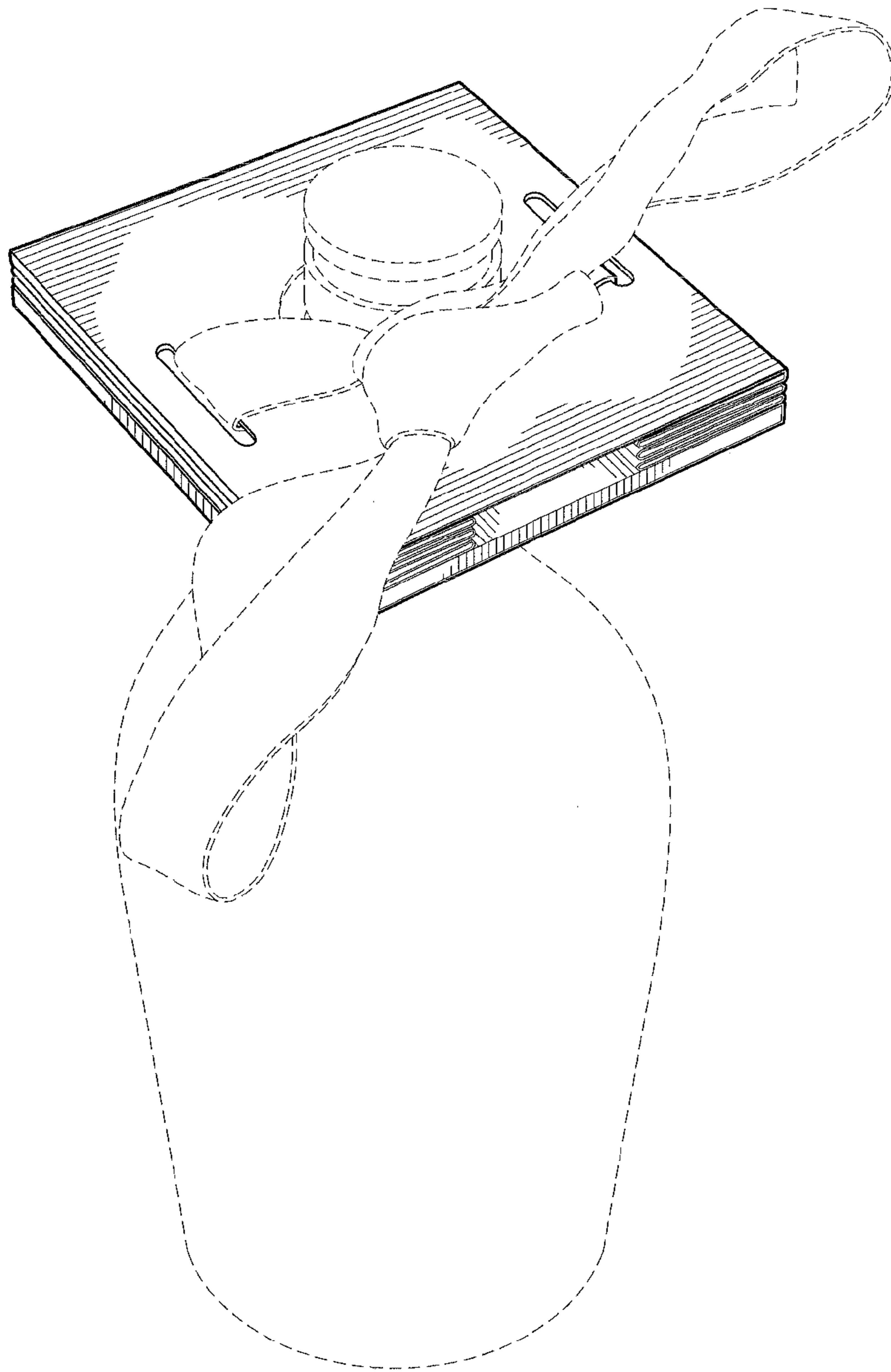


FIG. 8