



US00D617551S

(12) **United States Design Patent**
Siekman et al.

(10) **Patent No.:** **US D617,551 S**
(45) **Date of Patent:** **** Jun. 15, 2010**

(54) **STRAP POCKET**

(76) Inventors: **Allen Siekman**, 290 Ridge Rd., Ben Lomond, CA (US) 95005; **Matthew Kosh**, 2810 11th Ave. West, Seattle, WA (US) 98119

(**) Term: **14 Years**

(21) Appl. No.: **29/346,590**

(22) Filed: **Nov. 3, 2009**

(51) **LOC (9) Cl.** **03-01**

(52) **U.S. Cl.** **D3/226**

(58) **Field of Classification Search** D3/226,
D3/201, 205, 215, 218–219, 232–233, 247–249,
D3/221, 265–266; 224/217, 219, 222, 269,
224/664, 667, 669, 676–677, 934; 383/63,
383/111, 113

See application file for complete search history.

(56) **References Cited**

U.S. PATENT DOCUMENTS

114,404	A *	5/1871	Brown, Jr.	224/217
5,645,205	A *	7/1997	Kennedy	224/676
D414,603	S *	10/1999	Burchett	D3/265
D450,183	S *	11/2001	Giaquinto	D3/226
D485,982	S *	2/2004	Merkel et al.	D3/226
D490,238	S *	5/2004	Bristel	D3/226
D553,854	S *	10/2007	Willows et al.	D3/226

* cited by examiner

Primary Examiner—Catherine R Oliver
(74) *Attorney, Agent, or Firm*—Townsend and Townsend and Crew LLP

(57) **CLAIM**

The ornamental design for strap pocket, as shown and described.

DESCRIPTION

FIG. 1 is a perspective view of a strap pocket showing our new design, with the pocket closed and a strap closed within the pocket;

FIG. 2 is a perspective view thereof, with the pocket open and the strap partially extended;

FIG. 3 is a perspective view thereof, with the pocket closed and the strap partially extended;

FIG. 4 is a front elevational view of the opened pocket of FIG. 2;

FIG. 5 is a rear elevational view thereof;

FIG. 6 is a right side elevational view thereof;

FIG. 7 is a left side elevational view thereof;

FIG. 8 is a top plan view thereof;

FIG. 9 is a bottom plan view thereof;

FIG. 10 is a perspective view of a second embodiment of a strap pocket showing our new design, with the pocket open;

FIG. 11 is a perspective view thereof, with the pocket closed;

FIG. 12 is a front elevational view of the opened pocket of FIG. 2;

FIG. 13 is a rear elevational view thereof;

FIG. 14 is a right side elevational view thereof;

FIG. 15 is a left side elevational view thereof;

FIG. 16 is a top plan view thereof; and,

FIG. 17 is a bottom plan view thereof.

The broken line showing is for illustrative purposes only and forms no part of the claimed design.

1 Claim, 9 Drawing Sheets

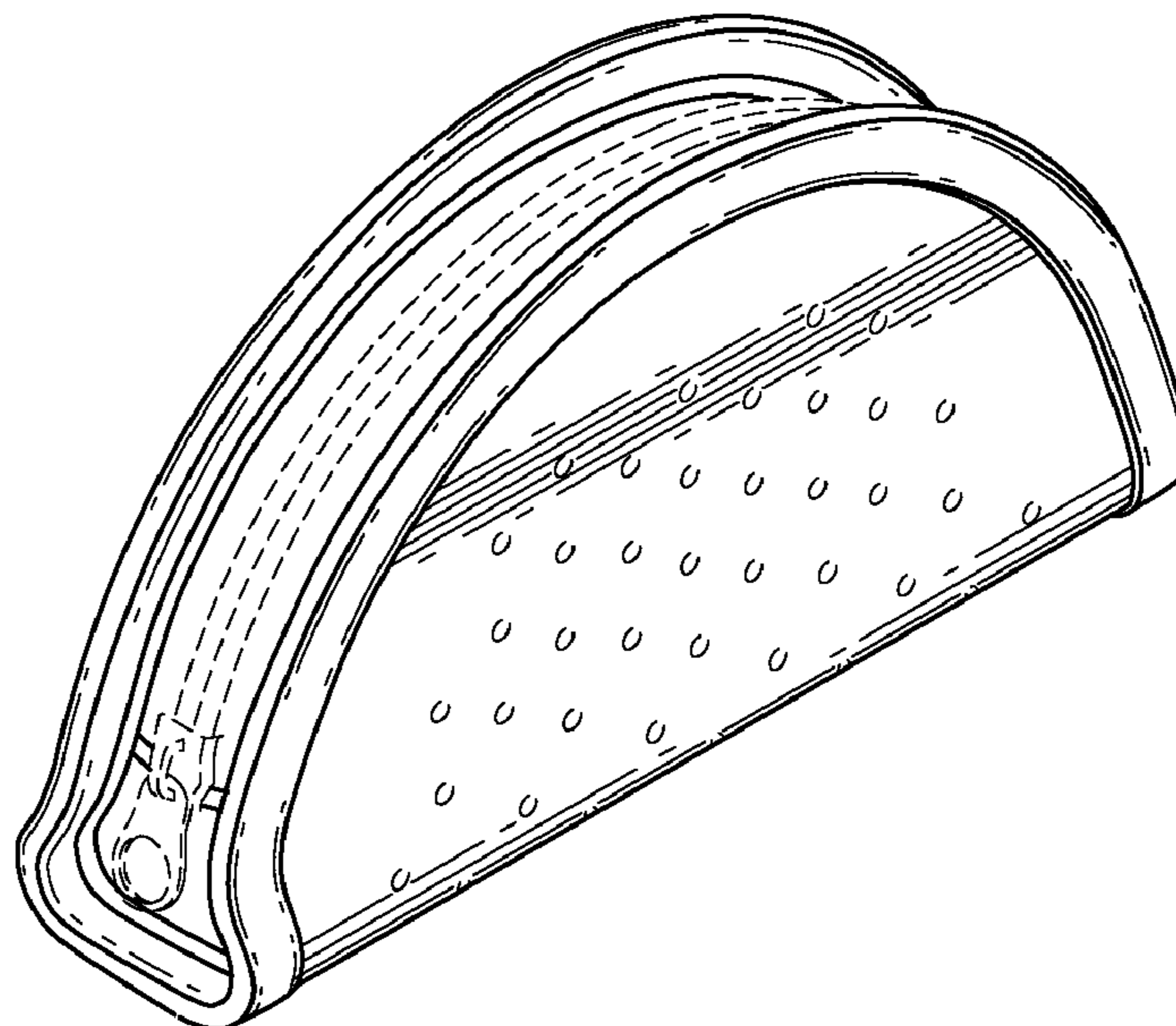
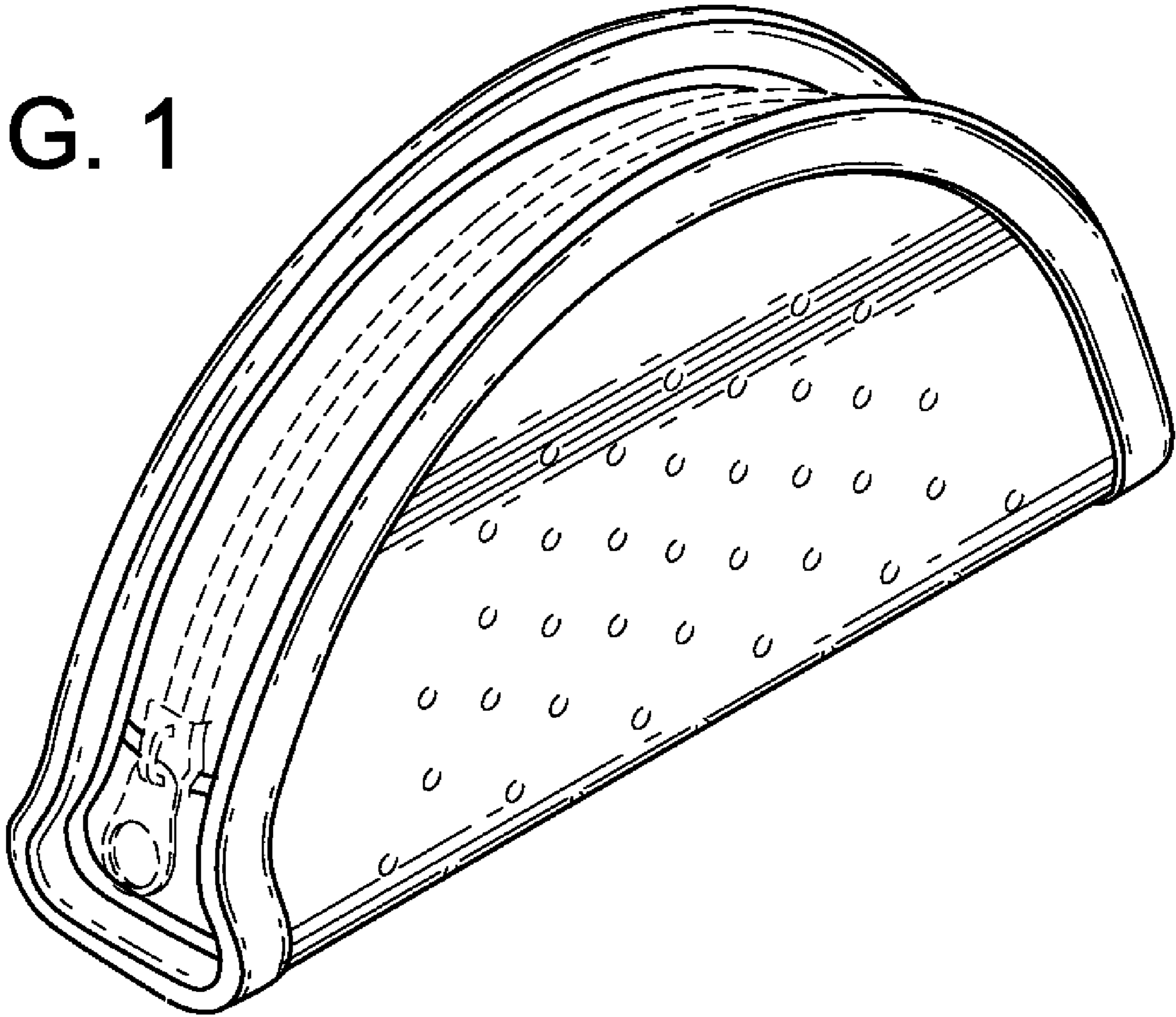


FIG. 1



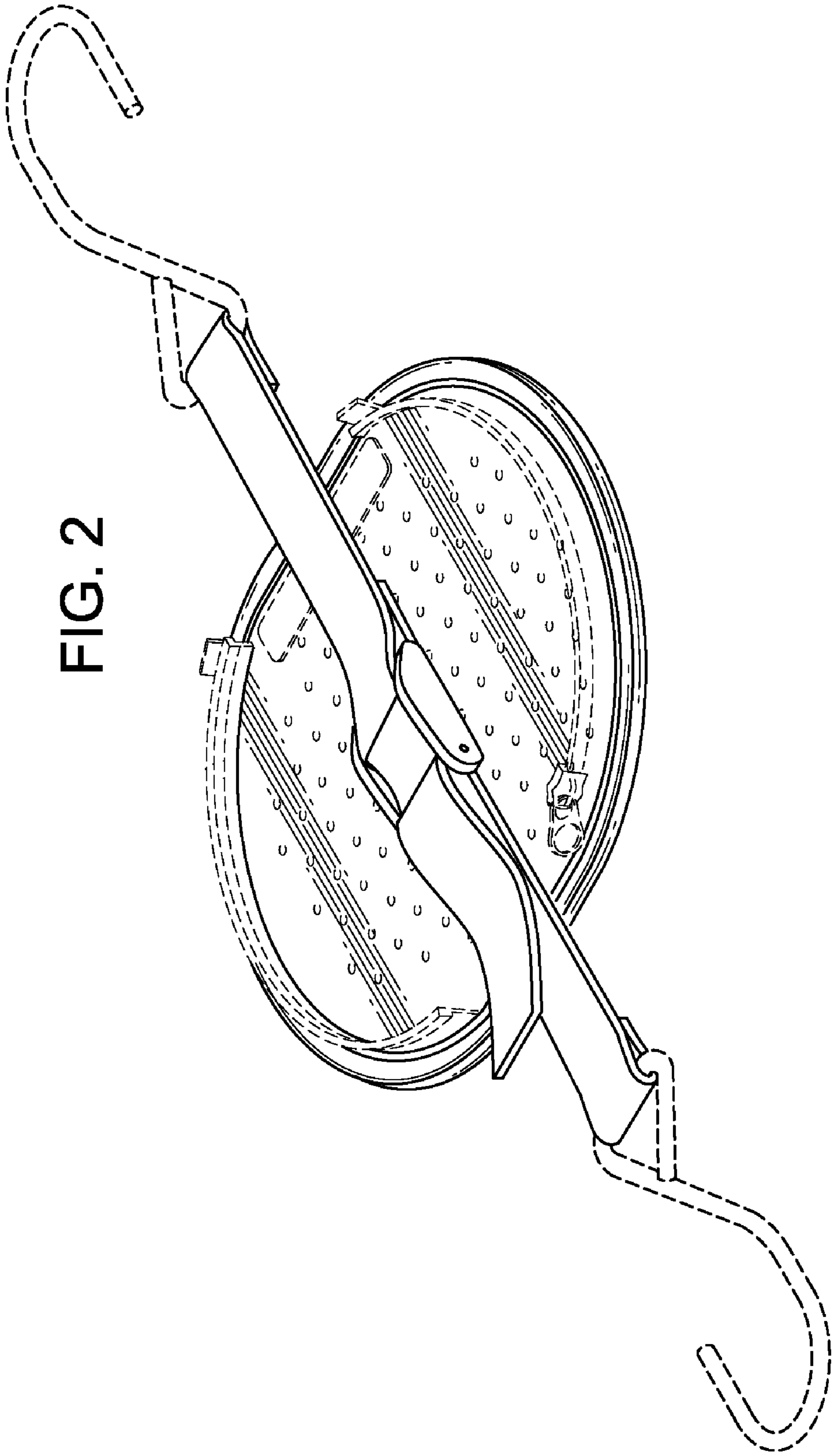


FIG. 2

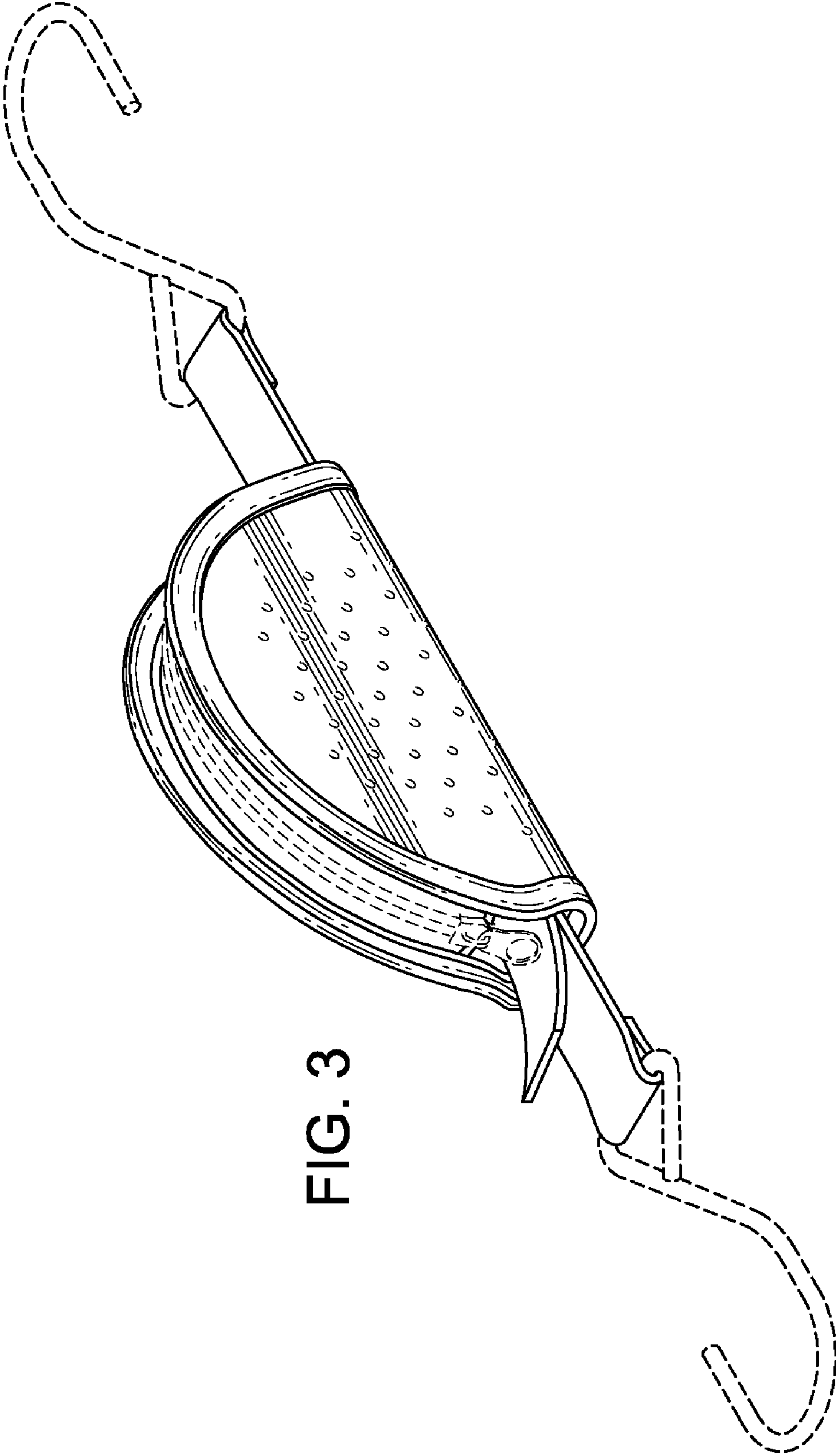


FIG. 3

FIG. 4

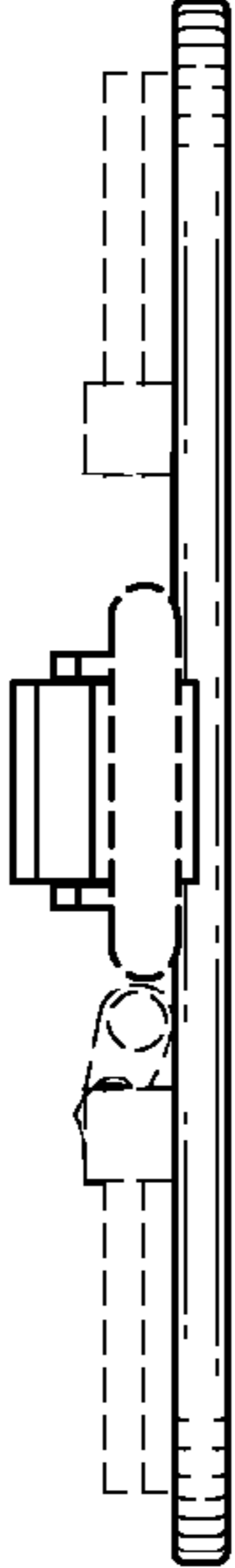


FIG. 5

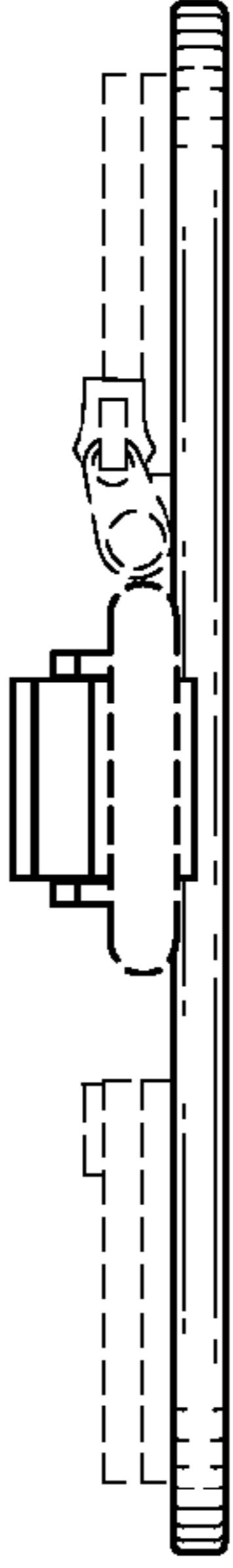


FIG. 6

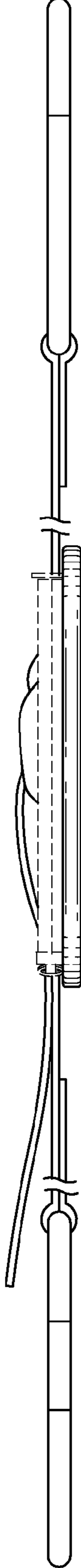
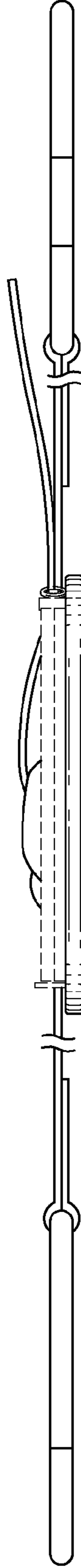


FIG. 7



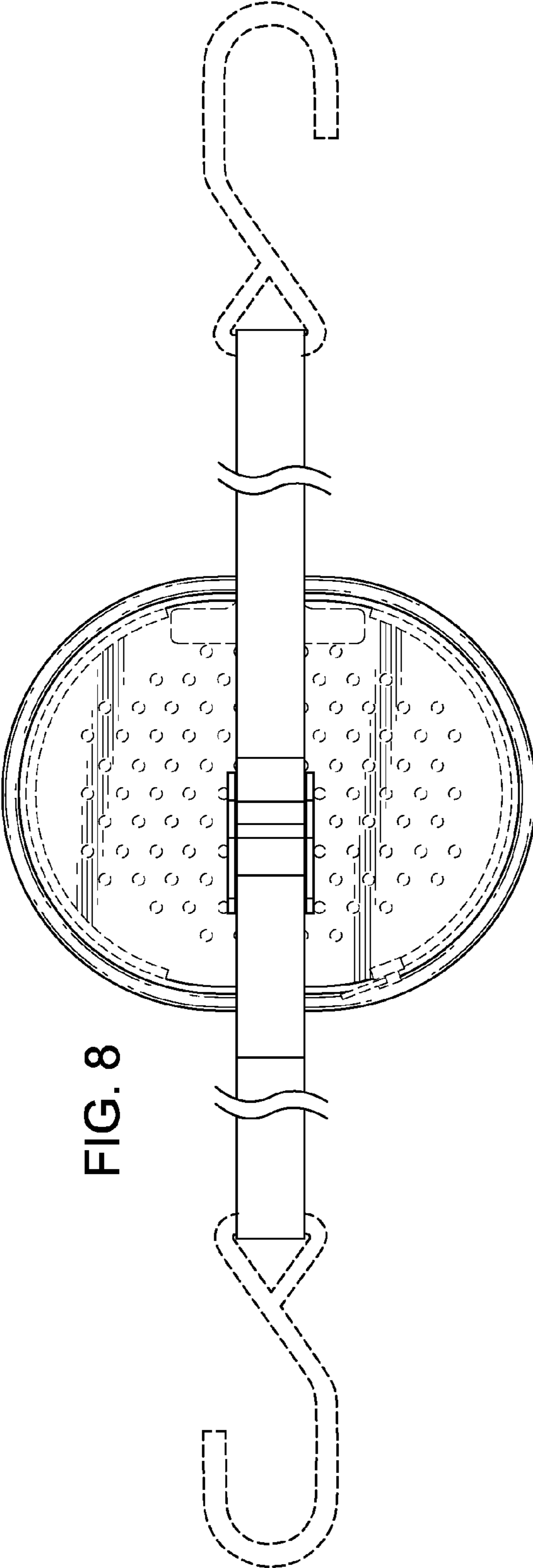


FIG. 8

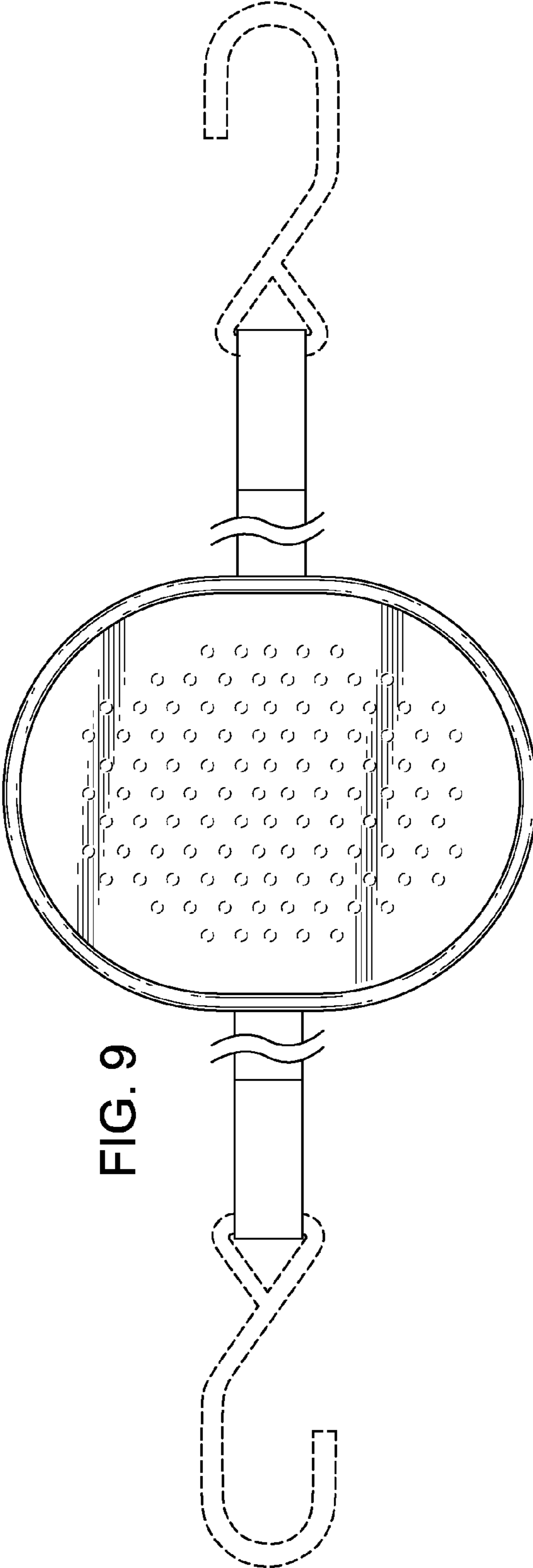


FIG. 9

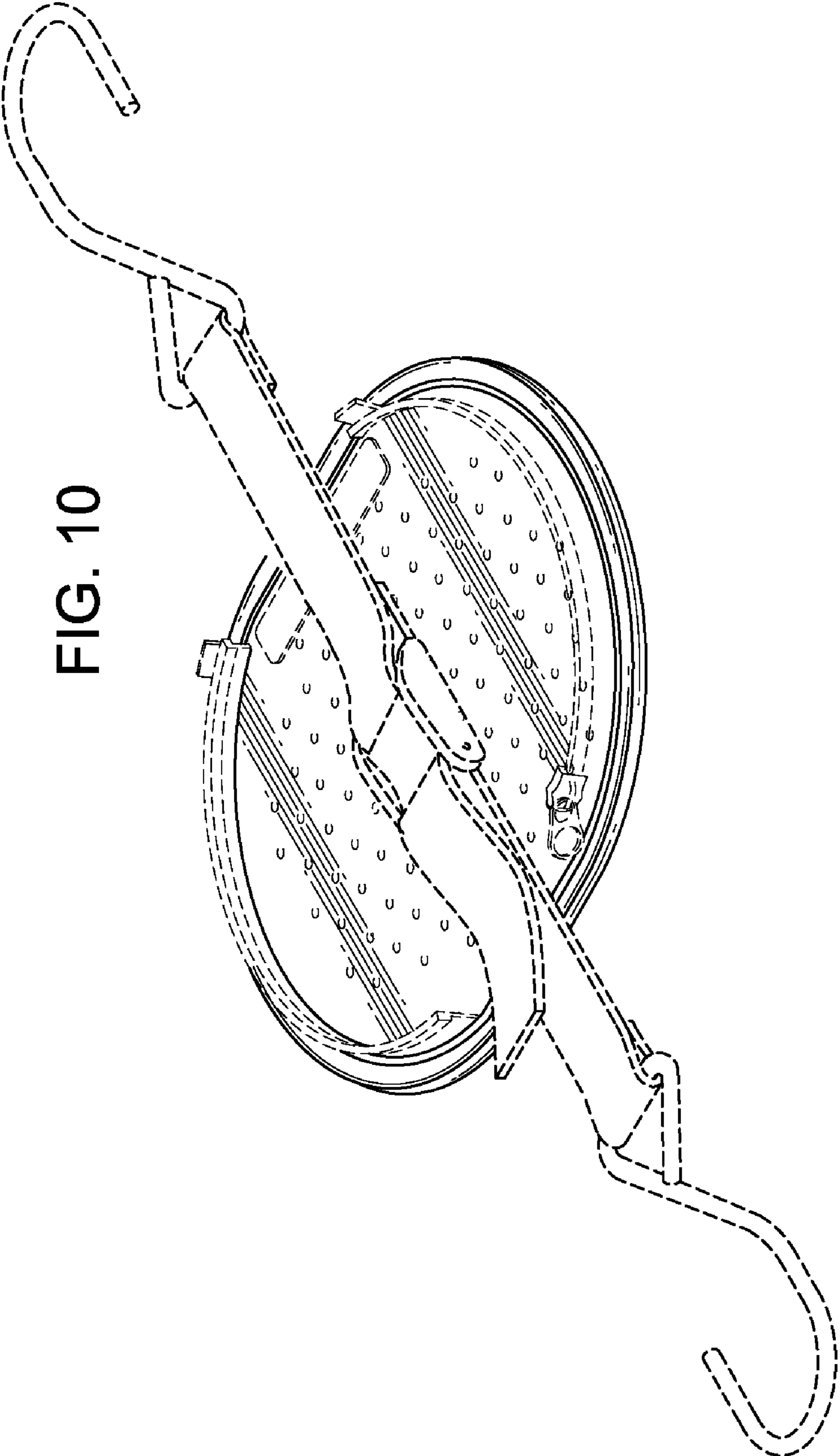


FIG. 10

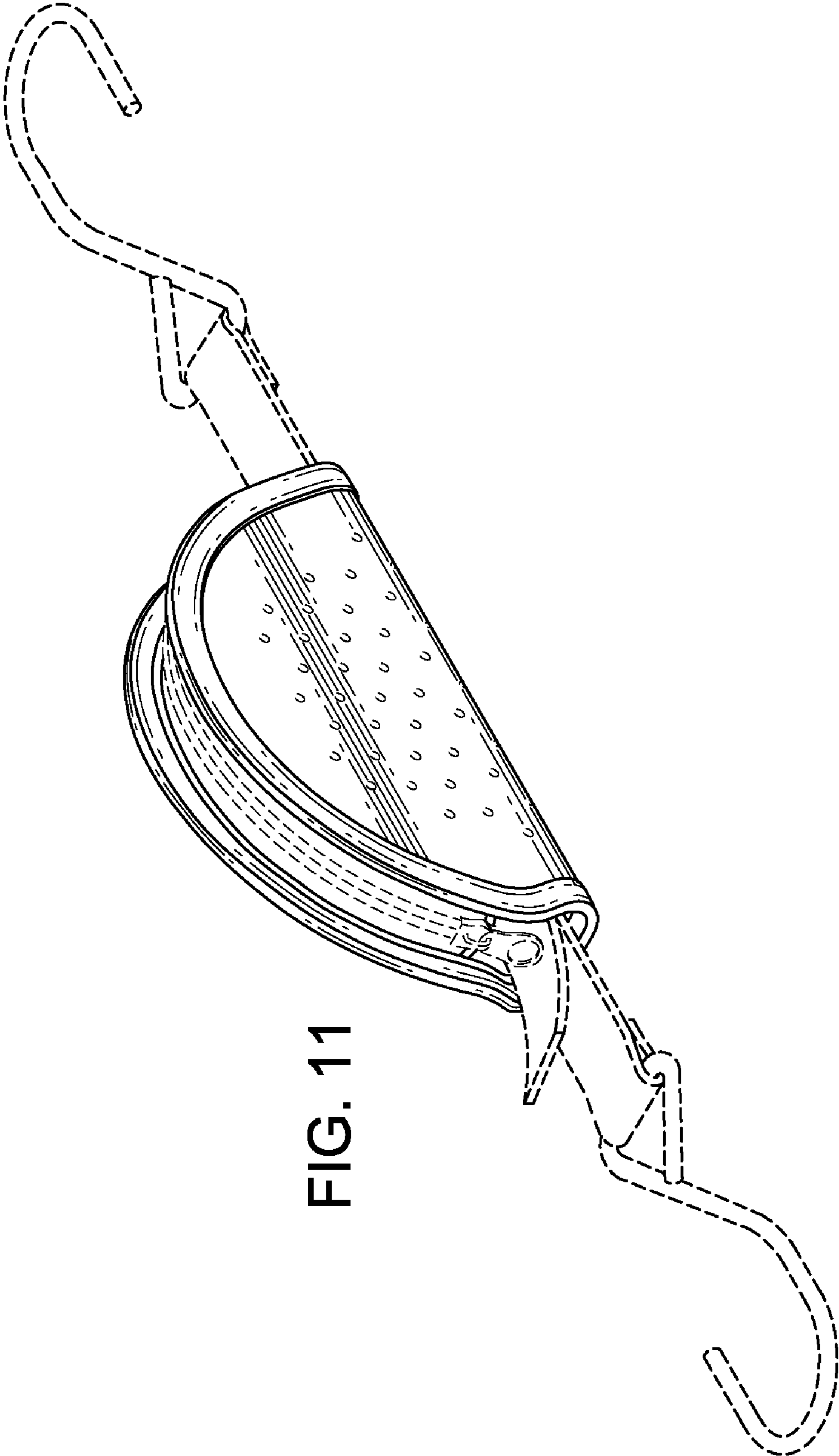


FIG. 11

FIG. 12

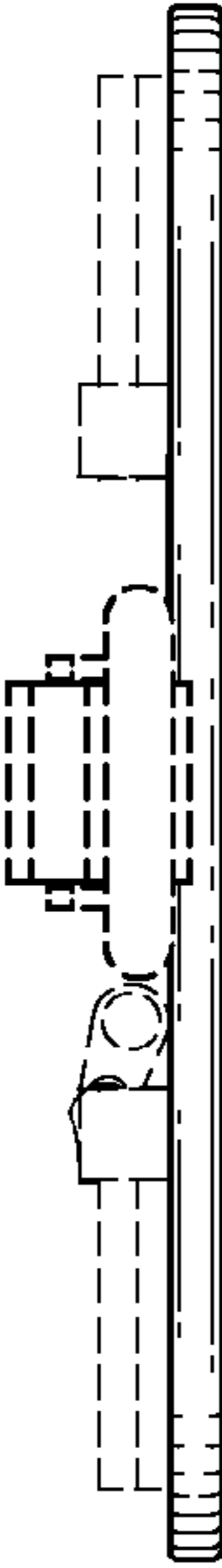


FIG. 13

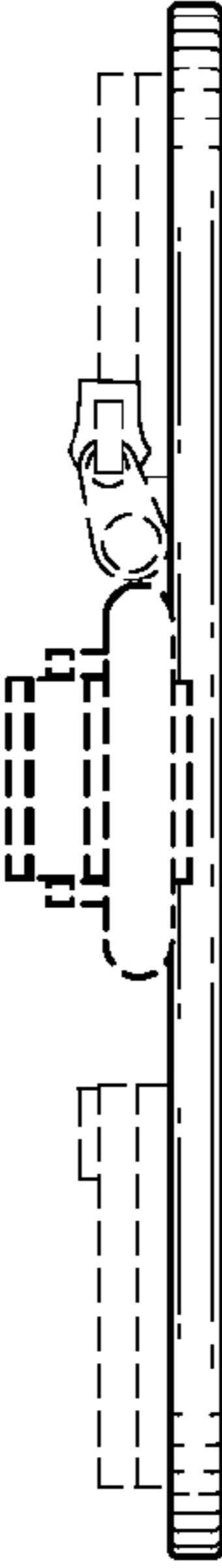


FIG. 14

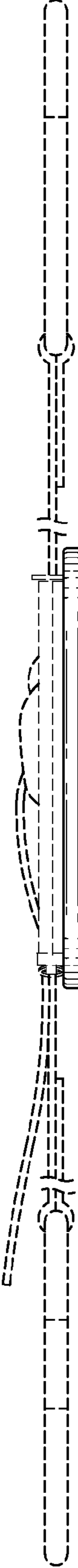


FIG. 15

