



US00D617549S

(12) **United States Design Patent**
Bye

(10) **Patent No.:** **US D617,549 S**
(45) **Date of Patent:** **** Jun. 15, 2010**

(54) **BELT CADDY FOR GOLF ACCESSORIES**

(76) Inventor: **Lauris Bye**, 13165 Mira Mar Dr.,
Sylmar, CA (US) 91342

(**) Term: **14 Years**

(21) Appl. No.: **29/342,737**

(22) Filed: **Aug. 31, 2009**

(51) **LOC (9) Cl.** **03-01**

(52) **U.S. Cl.** **D3/221**

(58) **Field of Classification Search** D3/221,
D3/215, 224, 226, 228, 255, 257; D21/793-796;
224/660, 918-919, 676-680, 194, 196-197,
224/245; 206/315.9

See application file for complete search history.

(56) **References Cited**

U.S. PATENT DOCUMENTS

4,893,739 A 1/1990 Conner
5,423,530 A * 6/1995 Alvarez Gonzalez 224/194
D405,860 S * 2/1999 Hargrove D21/796

(Continued)

OTHER PUBLICATIONS

Joe's Golf Ball Caddy; <http://www.joeprosgolfballcaddy.com/>; Aug.
31, 2009.

(Continued)

Primary Examiner—Catherine R Oliver
(74) *Attorney, Agent, or Firm*—Shelley M. Cobos; Loza &
Loza, LLP

(57) **CLAIM**

The ornamental design for a belt caddy for golf accessories,
as shown and described.

DESCRIPTION

FIG. 1 is a perspective view of a belt caddy for golf accessories
positioned on a belt of a person of the present invention;

FIG. 2 is a perspective view of a belt caddy for golf accessories
according to an embodiment of the present invention;

FIG. 3 is a front view of a belt caddy for golf accessories of the
present invention;

FIG. 4 is a rear view of a belt caddy for golf accessories of the
present invention;

FIG. 5 is a top aerial view of a belt caddy for golf accessories
of the present invention;

FIG. 6 is a bottom aerial view of a belt caddy for golf accessories
of the present invention;

FIG. 7 is a left side view of a belt caddy for golf accessories
of the present invention;

FIG. 8 is a right side view of a belt caddy for golf accessories
of the present invention;

FIG. 9 is a perspective view of a belt caddy for golf accessories
positioned on a belt of a person according to an embodi-
ment of the present invention;

FIG. 10 is a perspective view of a belt caddy for golf acces-
sories of the present invention;

FIG. 11 is a front view of a belt caddy for golf accessories of
the present invention;

FIG. 12 is a rear view of a belt caddy for golf accessories of
the present invention;

FIG. 13 is a top aerial view of a belt caddy for golf accessories
of the present invention;

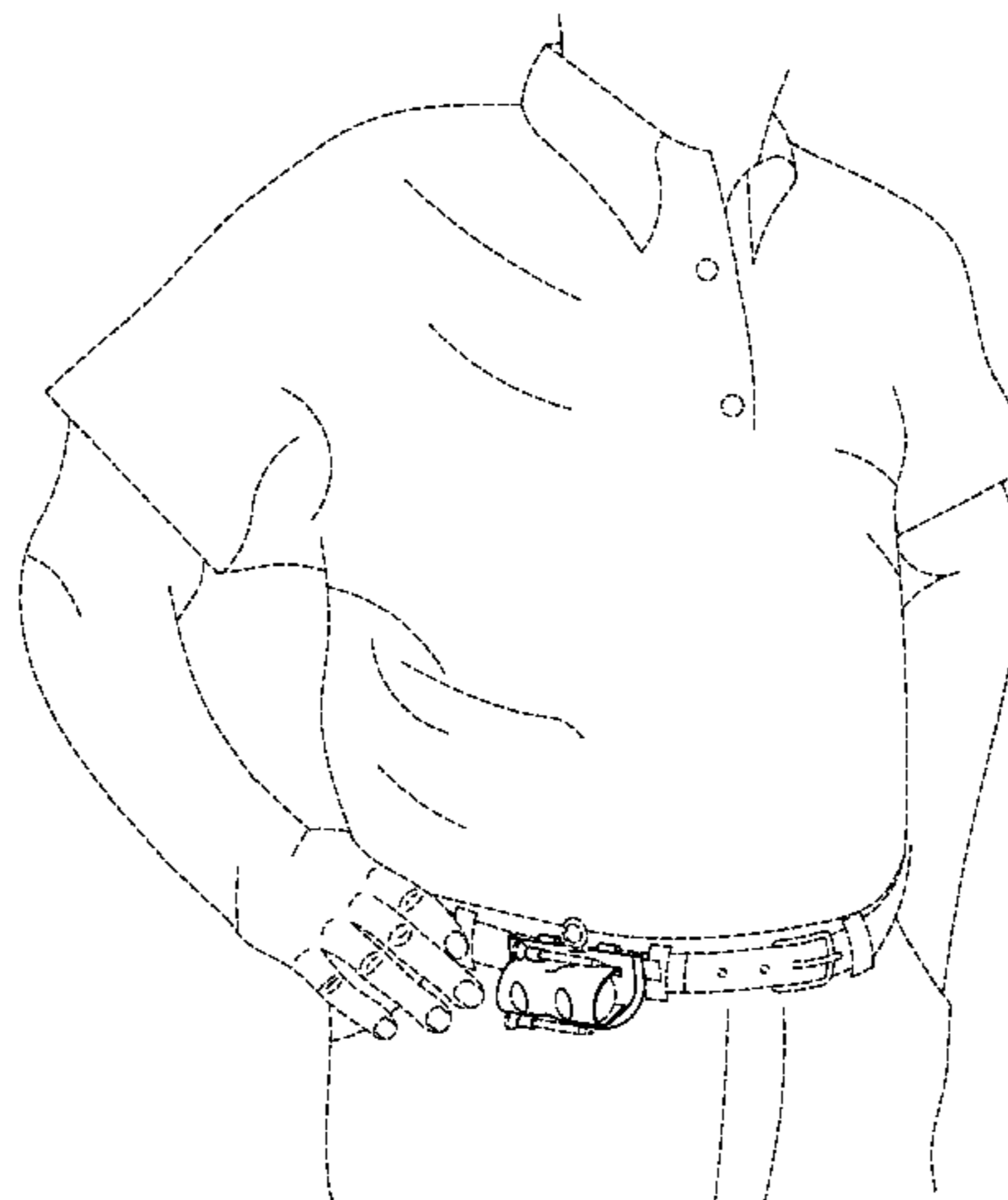
FIG. 14 is a bottom aerial view of a belt caddy for golf
accessories of the present invention;

FIG. 15 is a left side view of a belt caddy for golf accessories
of the present invention; and,

FIG. 16 is a right side view of a belt caddy for golf accessories
of the present invention.

Any broken lines that may be used to show an environment
are for illustrative purposes only and form no part of the
claimed design.

1 Claim, 7 Drawing Sheets



US D617,549 S

Page 2

U.S. PATENT DOCUMENTS

6,193,120 B1 * 2/2001 Chang 224/245
D504,483 S * 4/2005 Leung D3/221
D520,740 S * 5/2006 Giordano et al. D3/221
D561,991 S * 2/2008 Ioime et al. D3/221

D565,292 S * 4/2008 Bush D3/221

OTHER PUBLICATIONS

L.B. Belt Company; <http://www.lbbeltcompany.com/golfballcaddy.html>; Aug. 31, 2009.

* cited by examiner

FIG. 1

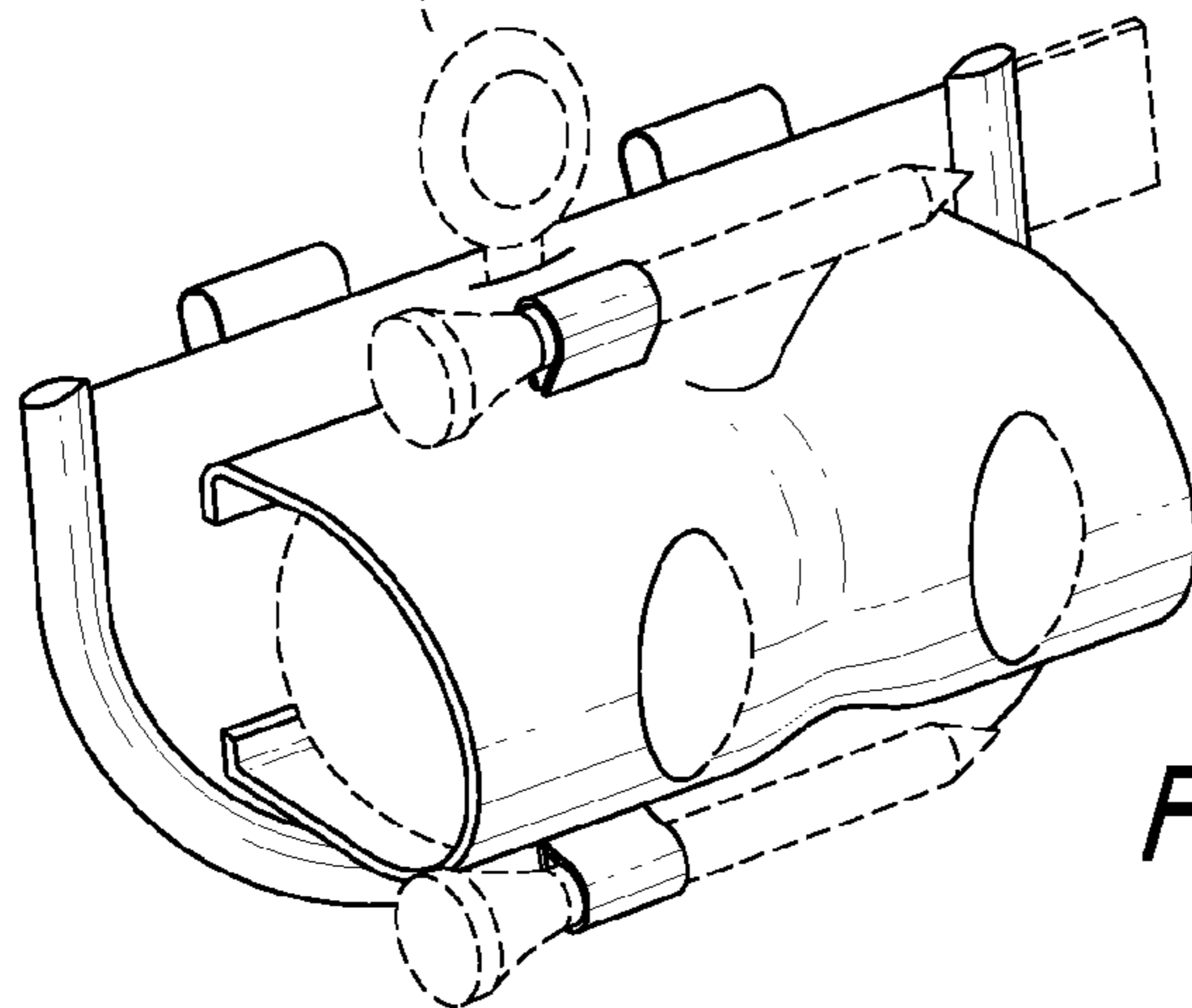
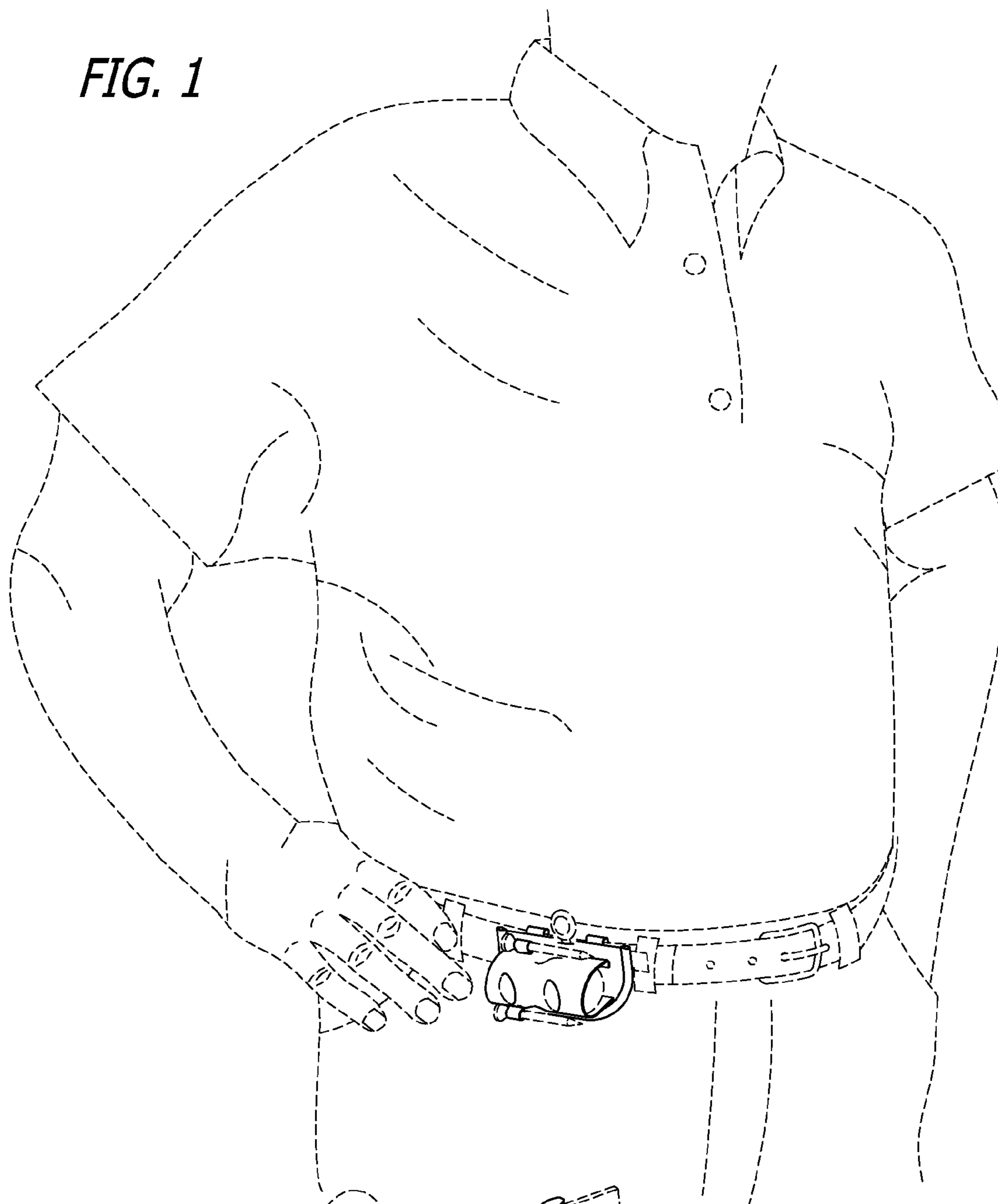


FIG. 2

FIG. 3

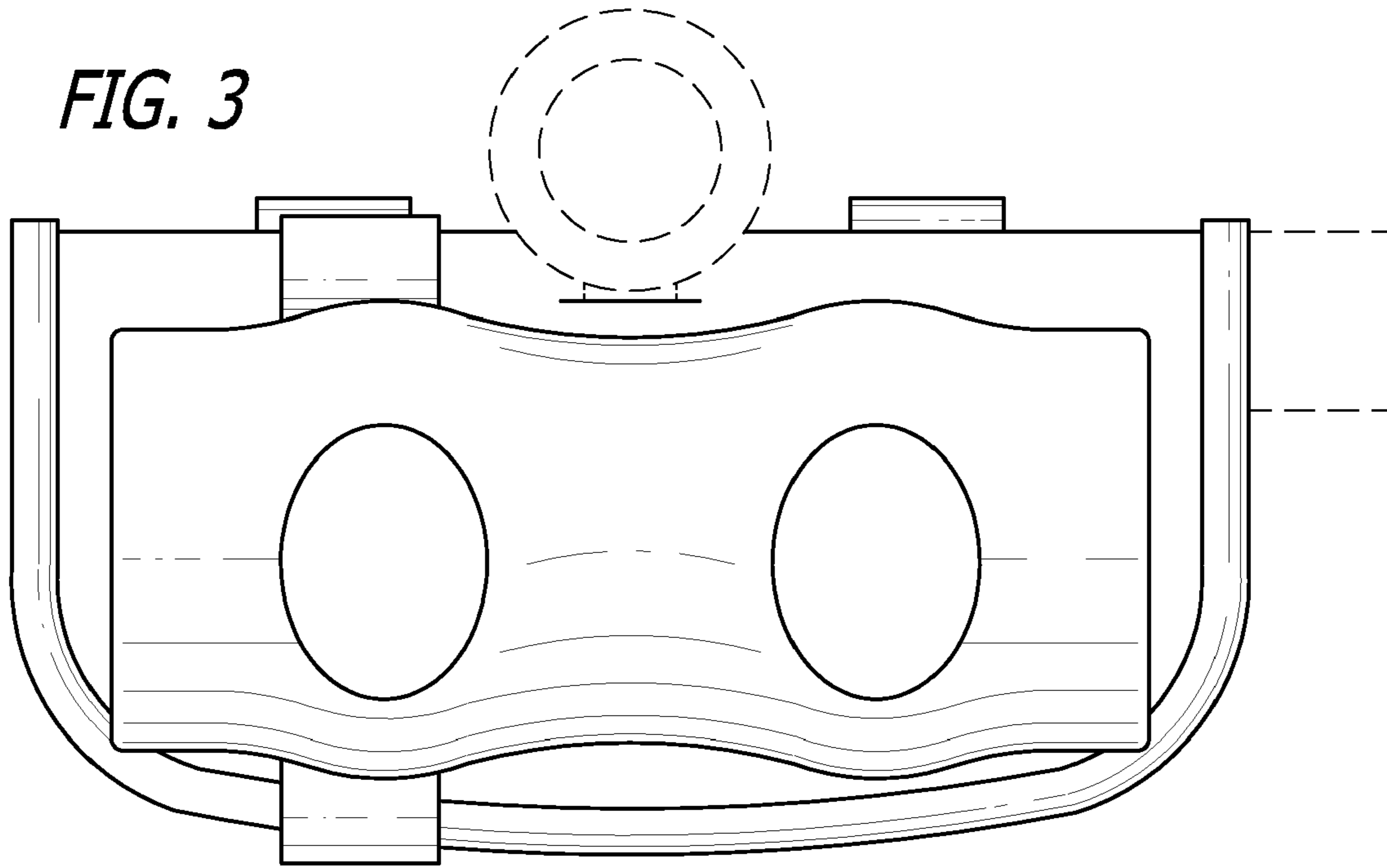


FIG. 4

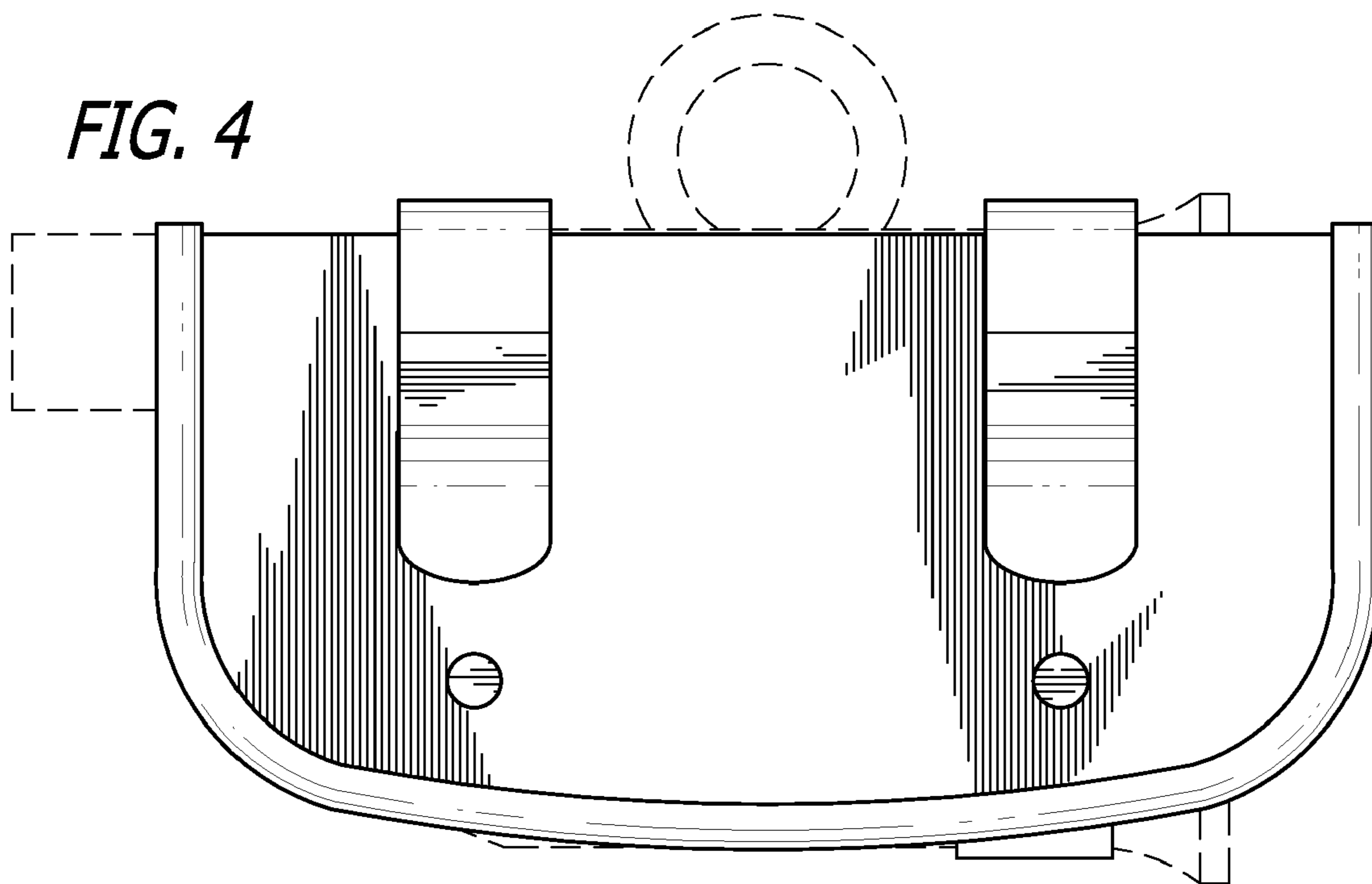


FIG. 5

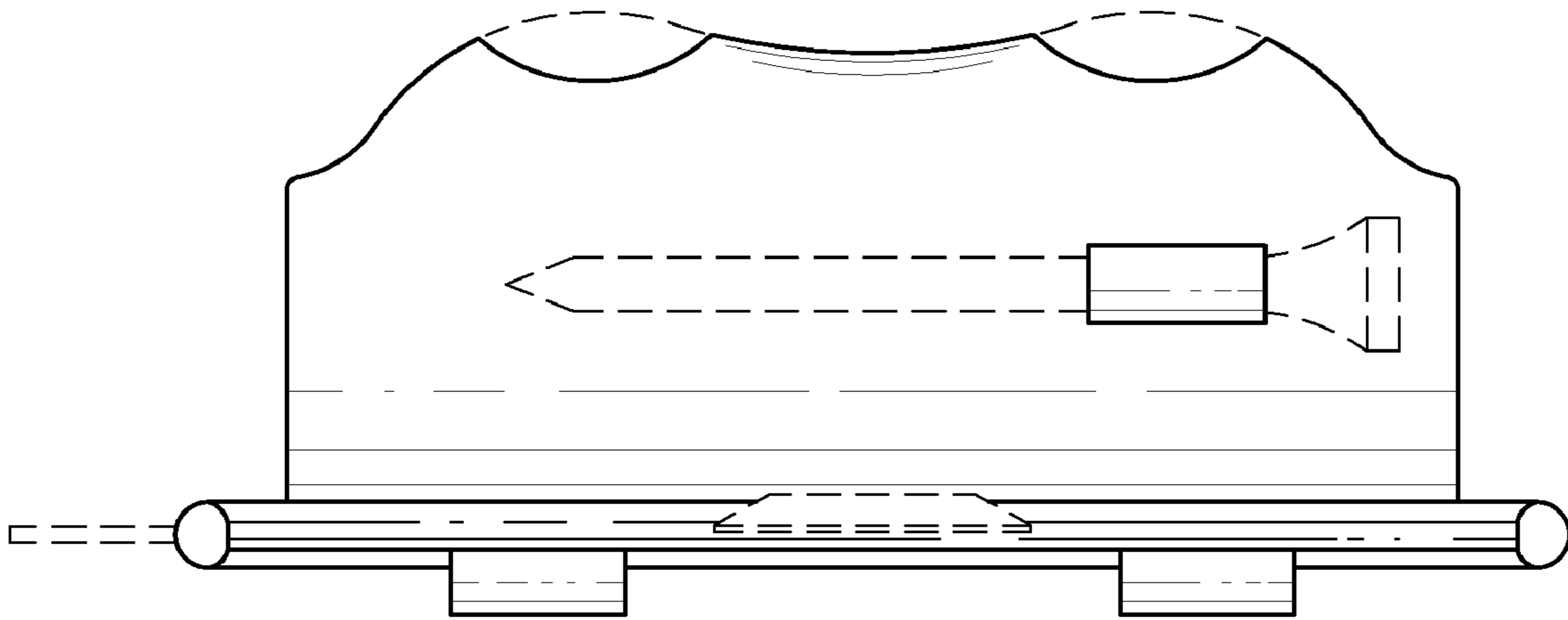
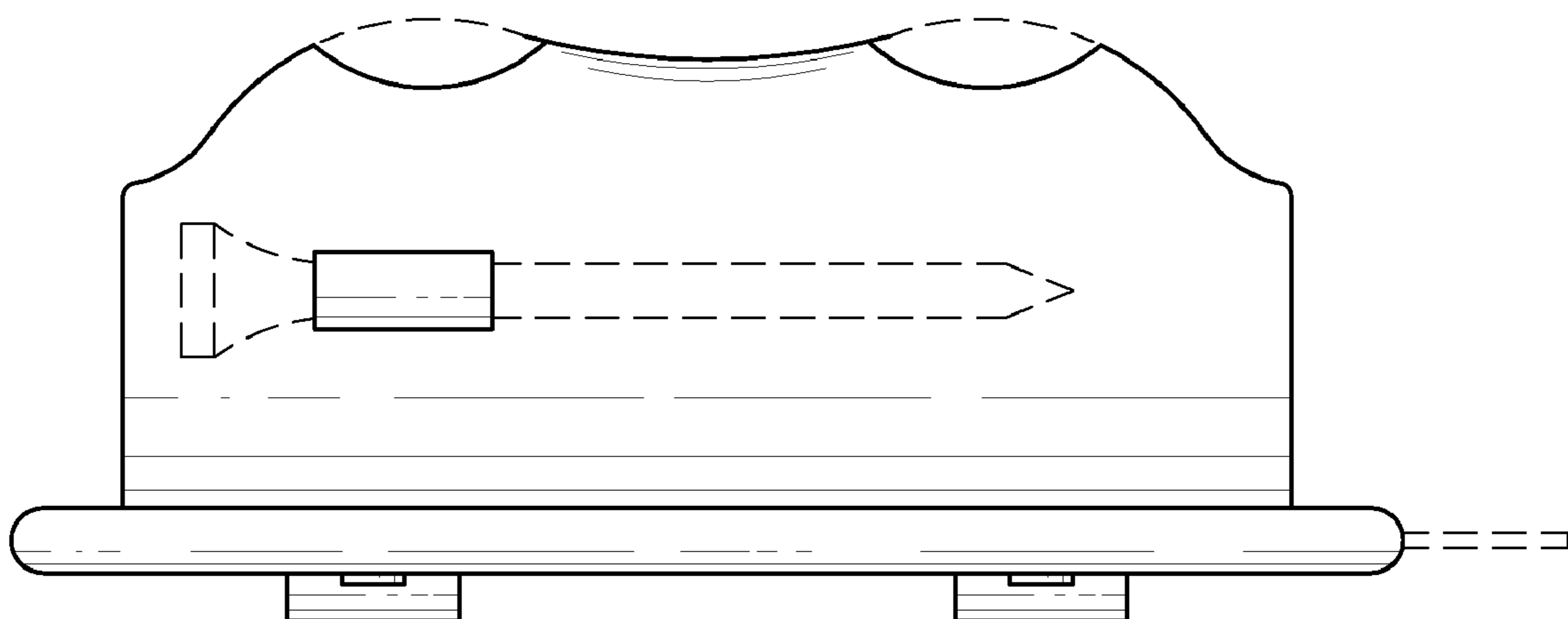


FIG. 6



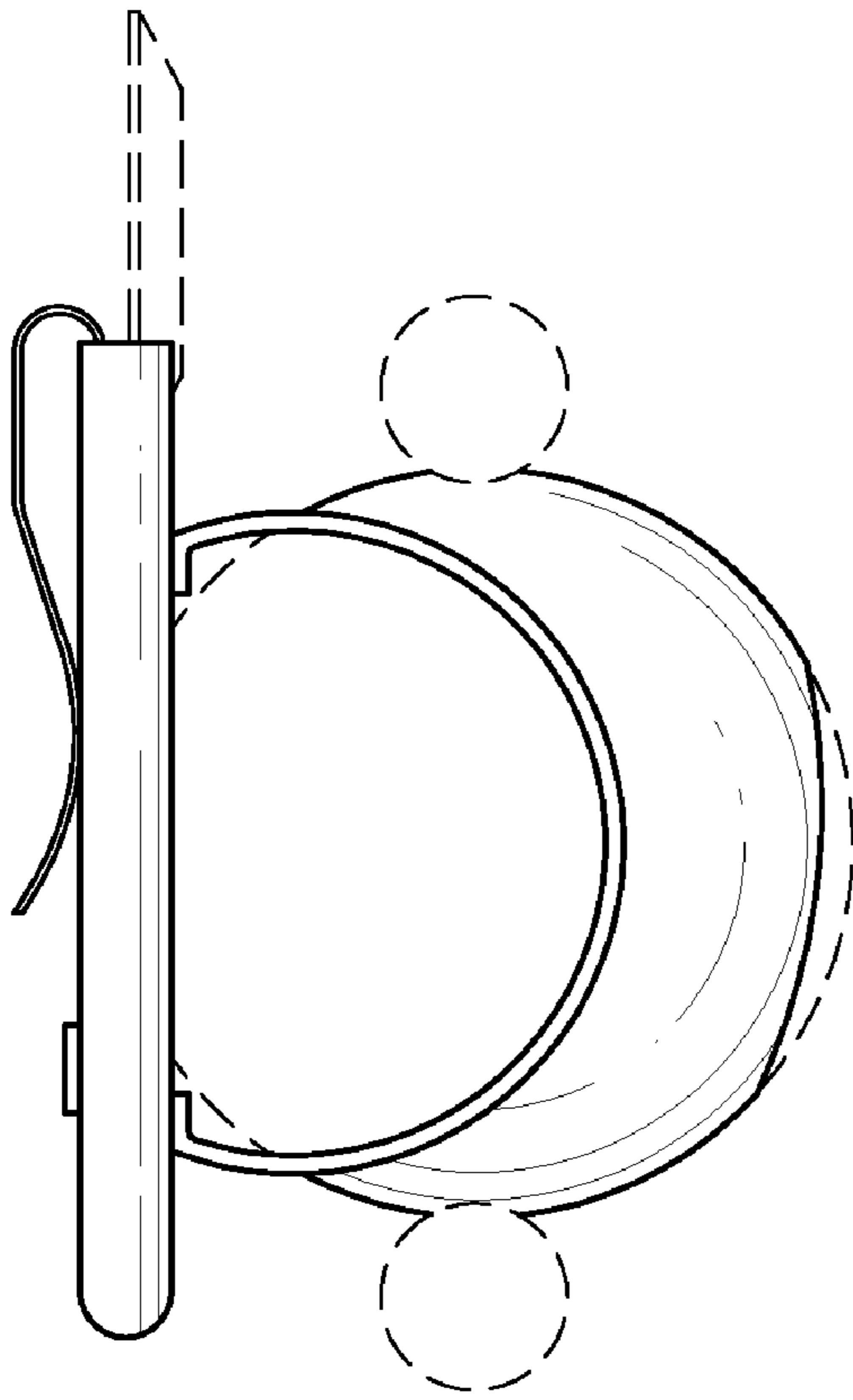


FIG. 7

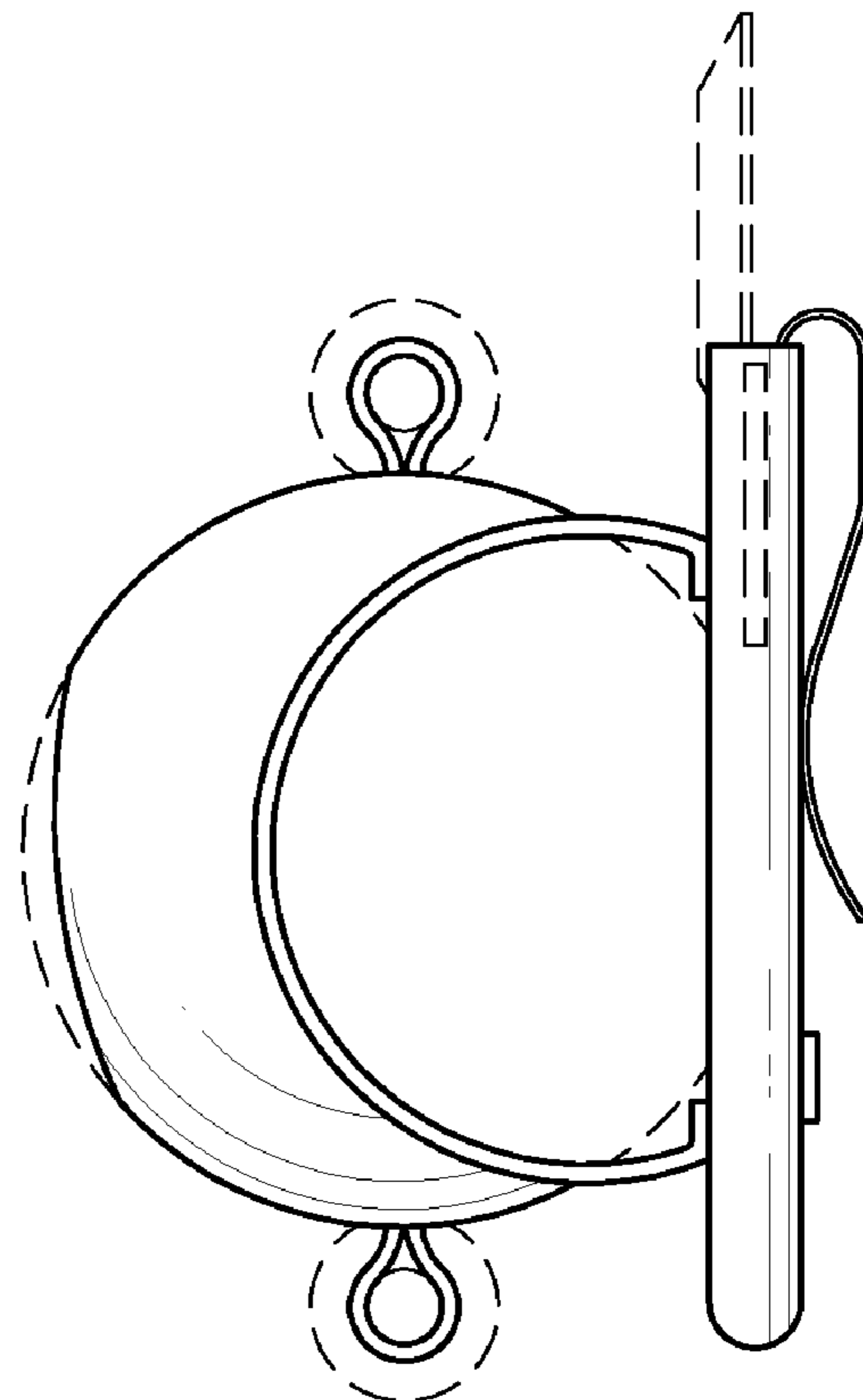


FIG. 8

FIG. 9

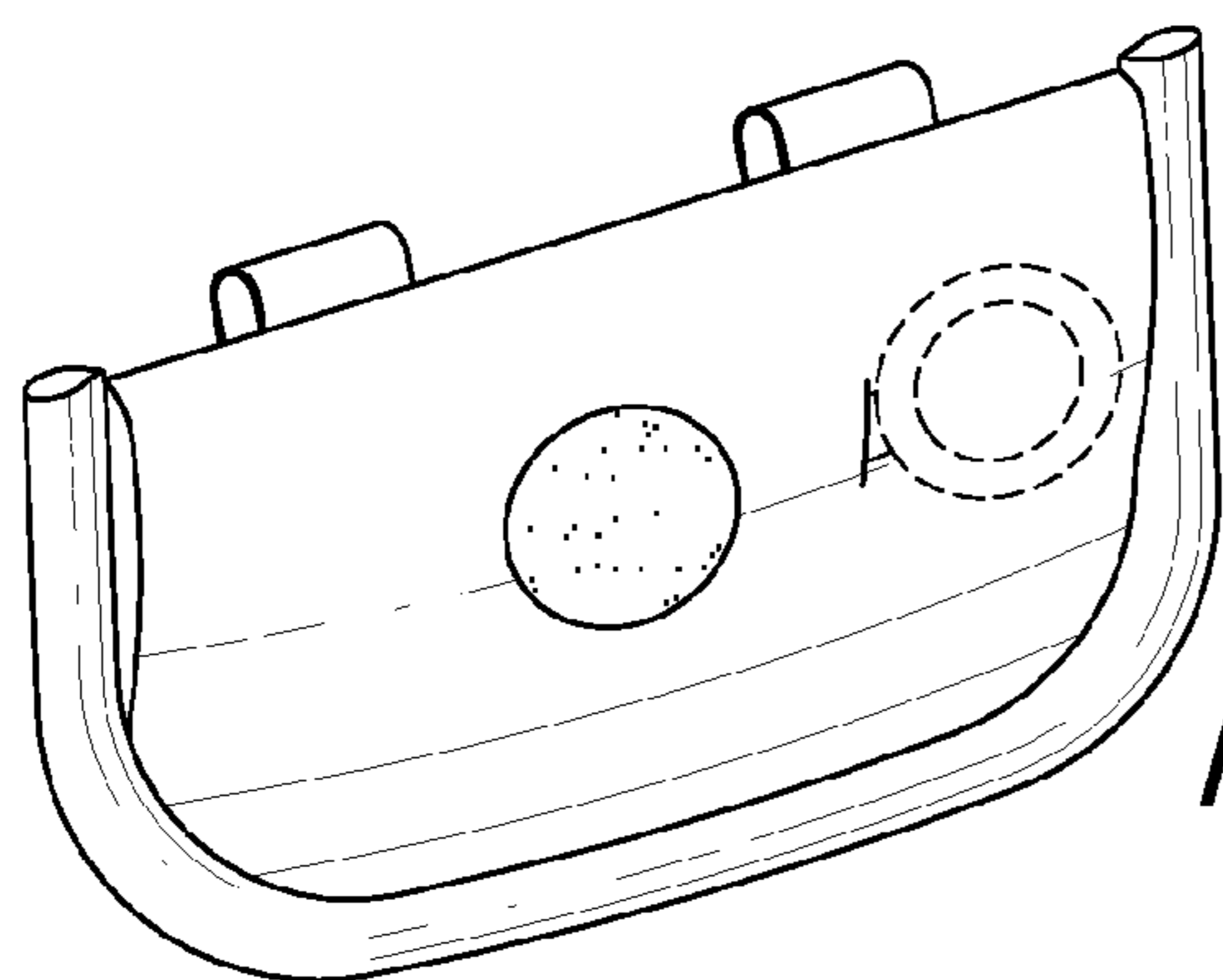
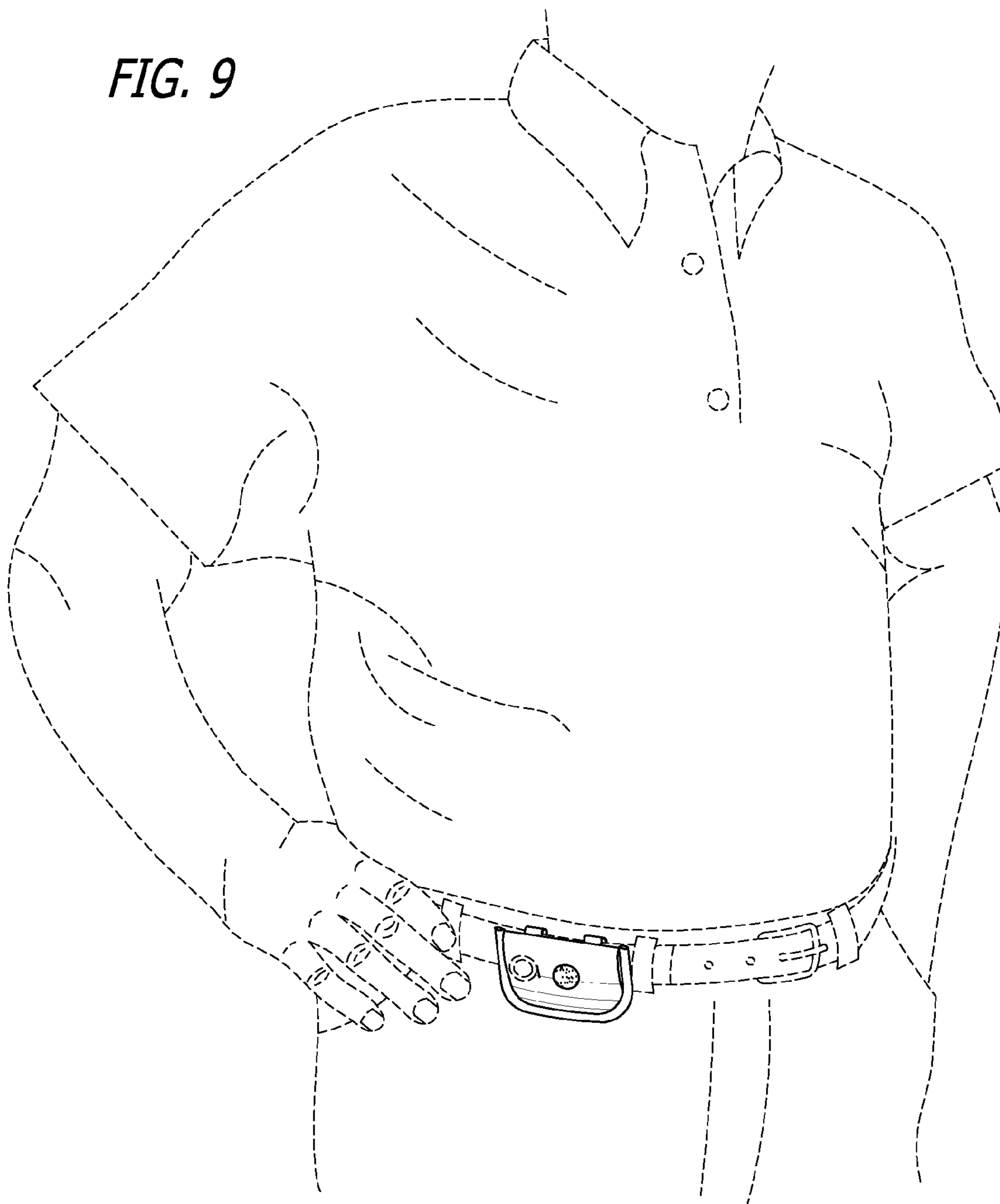


FIG. 10

FIG. 11

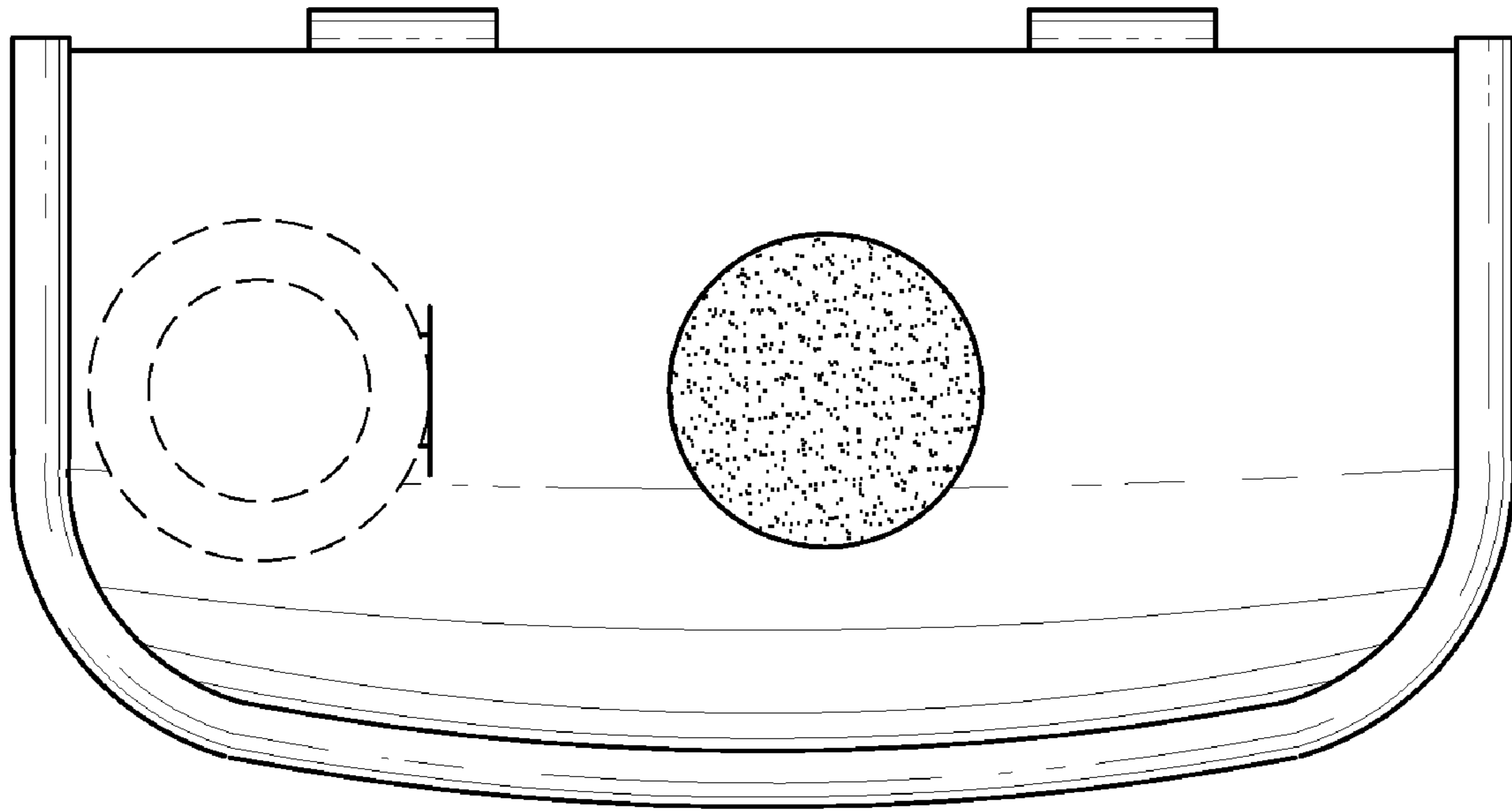


FIG. 12

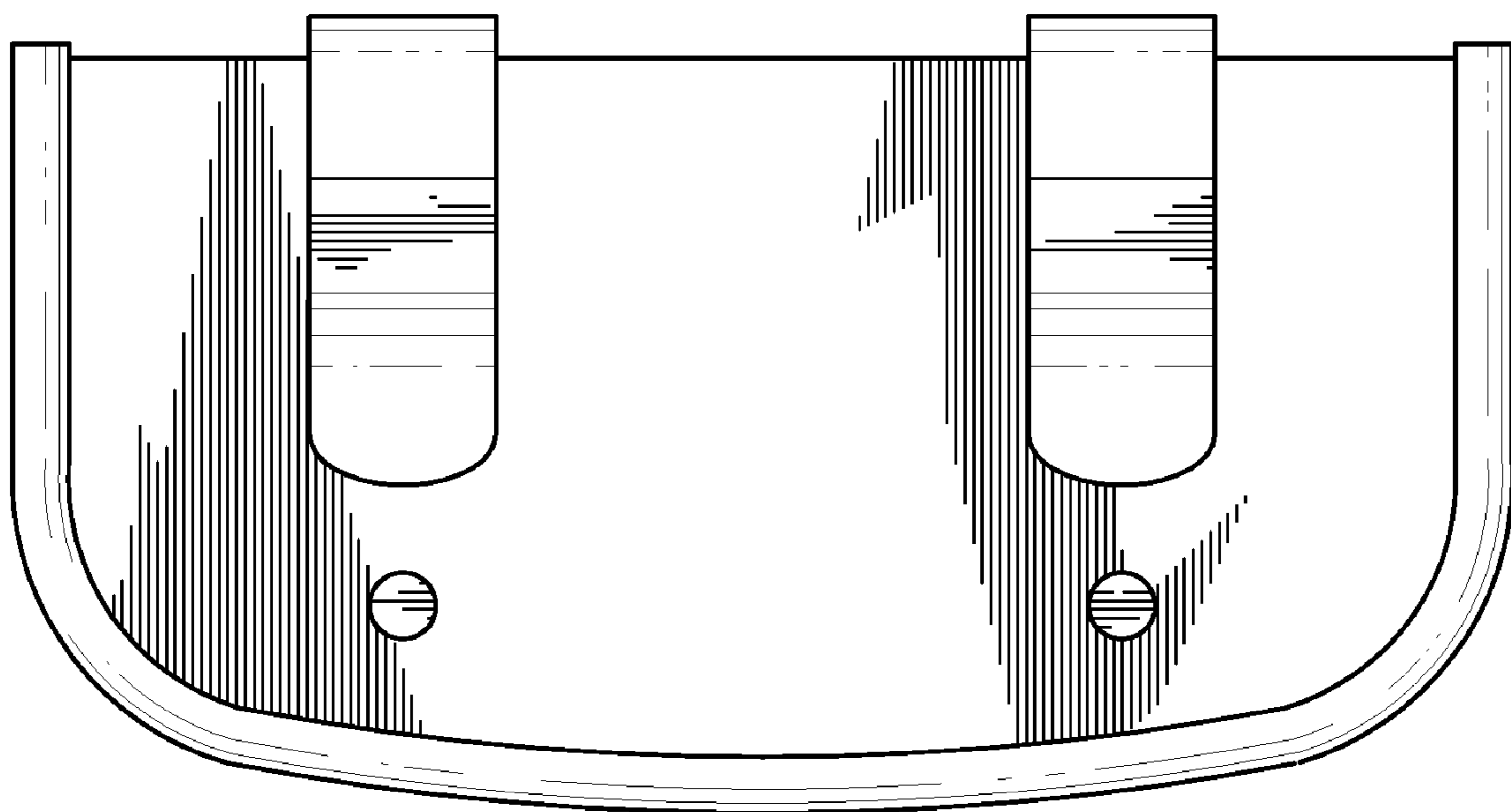


FIG. 13

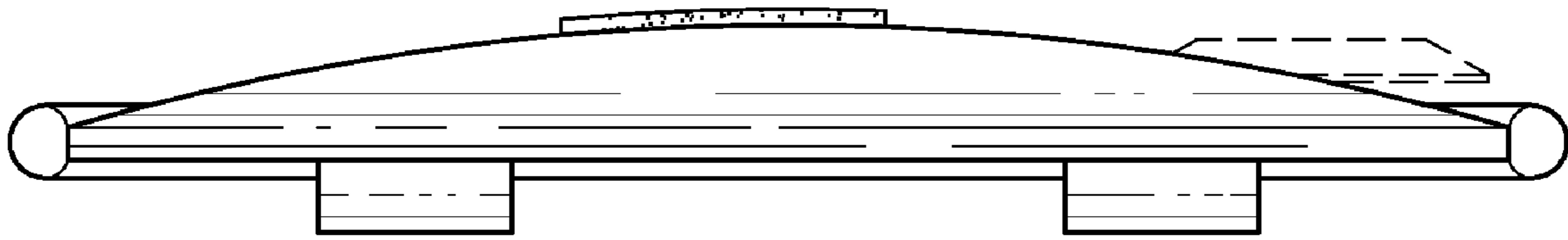


FIG. 14

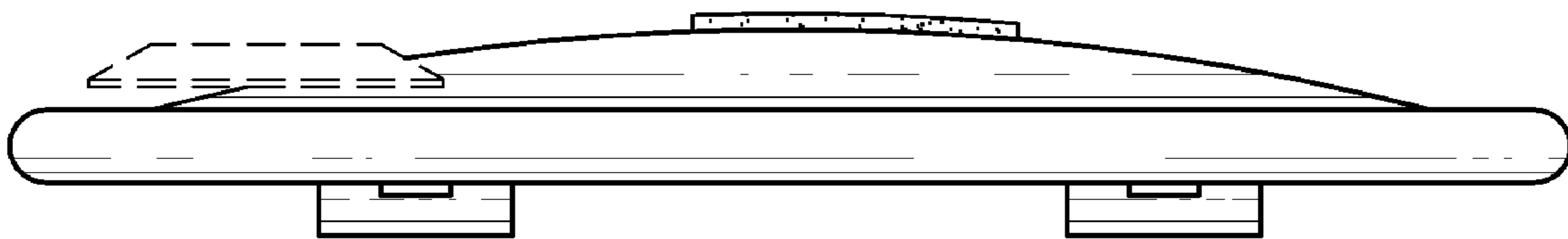


FIG. 15

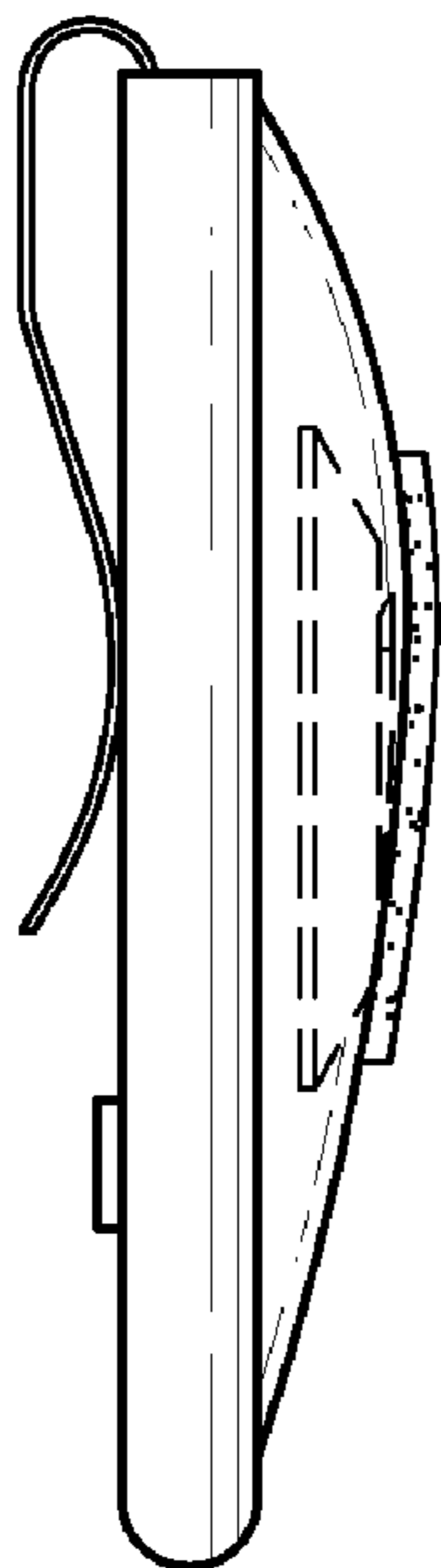


FIG. 16

