



US00D617544S

(12) **United States Design Patent**
Okoniewski, Jr.

(10) **Patent No.:** **US D617,544 S**
(45) **Date of Patent:** **** Jun. 15, 2010**

(54) **SET OF CRUTCHES**

(76) Inventor: **Lawrence A. Okoniewski, Jr.**, 25
Zuiderzee Ct., Middletown, DE (US)
19709

(**) Term: **14 Years**

(21) Appl. No.: **29/325,875**

(22) Filed: **Oct. 7, 2008**

(51) **LOC (9) Cl.** **03-03**

(52) **U.S. Cl.** **D3/7**

(58) **Field of Classification Search** D3/5-17;
D12/130, 133; 135/65-73, 76-85; 248/311.2;
224/148.7, 407

See application file for complete search history.

(56) **References Cited**

U.S. PATENT DOCUMENTS

| | | | | |
|-----------|-----|---------|---------|-----------|
| 3,985,148 | A | 10/1976 | Cadman | |
| 4,796,648 | A * | 1/1989 | Goulter | 135/65 |
| 5,101,845 | A | 4/1992 | Kravetz | |
| D330,630 | S * | 11/1992 | Loden | D3/10 |
| 5,249,770 | A * | 10/1993 | Louthan | 248/311.2 |
| D340,800 | S * | 11/1993 | Rowland | D3/10 |
| D345,856 | S * | 4/1994 | Johnson | D3/10 |

| | | | | |
|--------------|------|--------|---------------|---------|
| 5,647,519 | A | 7/1997 | Brennan | |
| 5,803,327 | A * | 9/1998 | Nipper et al. | 224/407 |
| D411,654 | S * | 6/1999 | Olkey et al. | D3/10 |
| D516,800 | S * | 3/2006 | Bacon | D3/8 |
| 2008/0078431 | A1 * | 4/2008 | Battiston | 135/67 |

* cited by examiner

Primary Examiner—T. Chase Nelson

Assistant Examiner—Anhdao Doan

(74) *Attorney, Agent, or Firm*—Crossley Patent Law; Mark A. Crossley

(57) **CLAIM**

The ornamental design for a set of crutches, as shown and described.

DESCRIPTION

FIG. 1 is a front elevation view of a set of crutches showing my new design;

FIG. 2 is a right elevation view thereof;

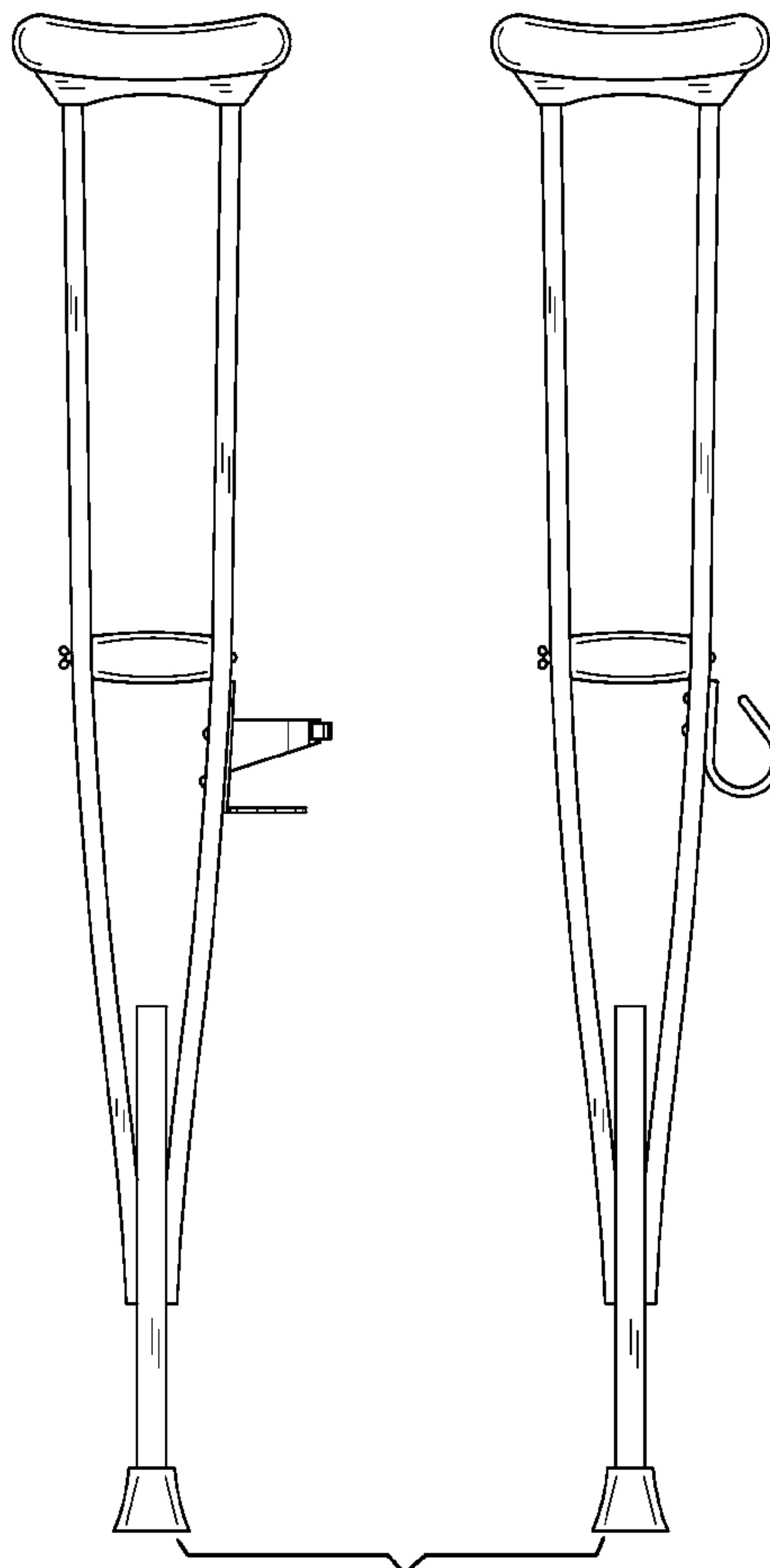
FIG. 3 is a left elevation view thereof;

FIG. 4 is a top plan view thereof;

FIG. 5 is a bottom plan view thereof; and,

FIG. 6 is an isometric view thereof.

1 Claim, 4 Drawing Sheets



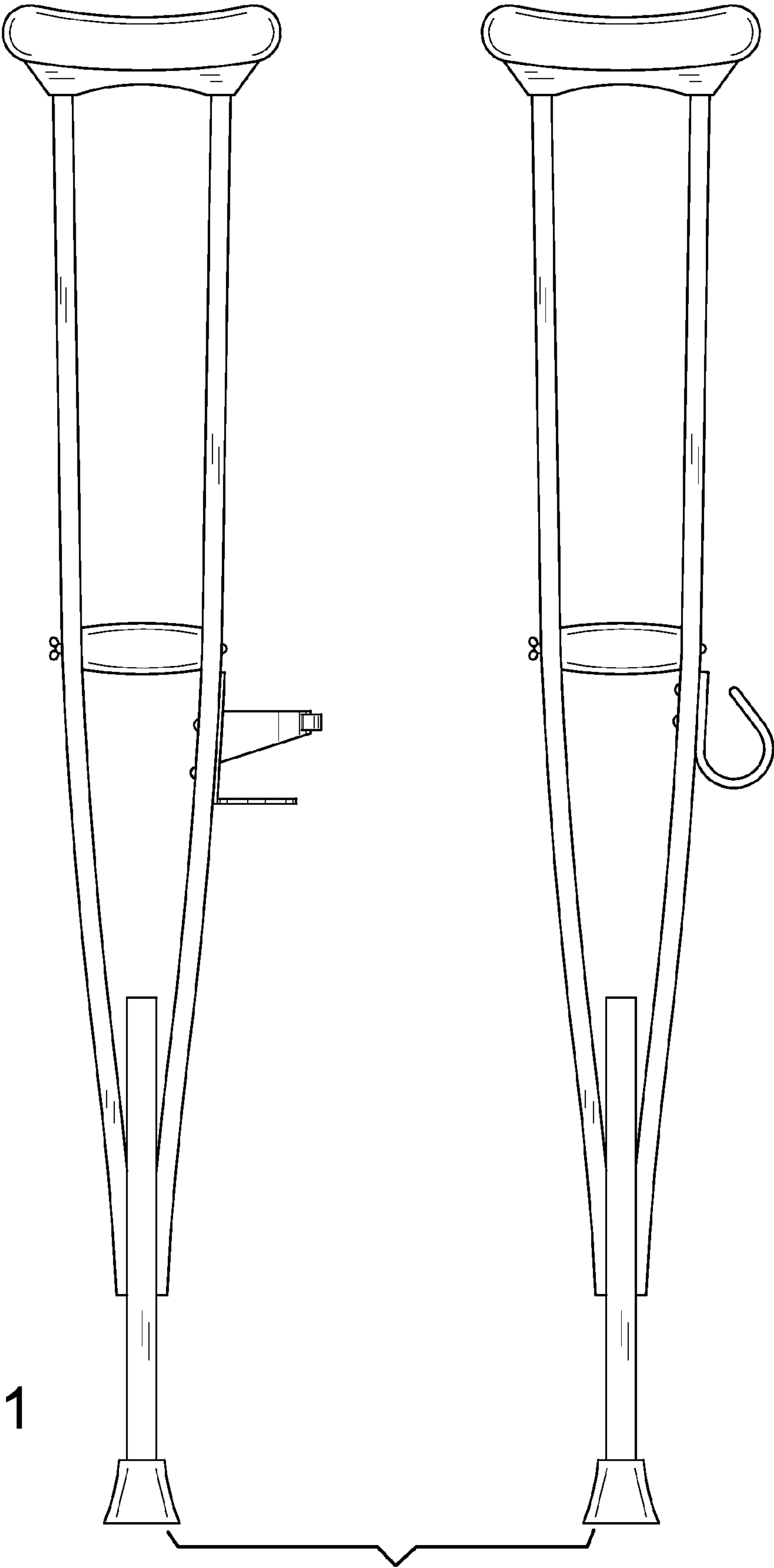


FIG. 1

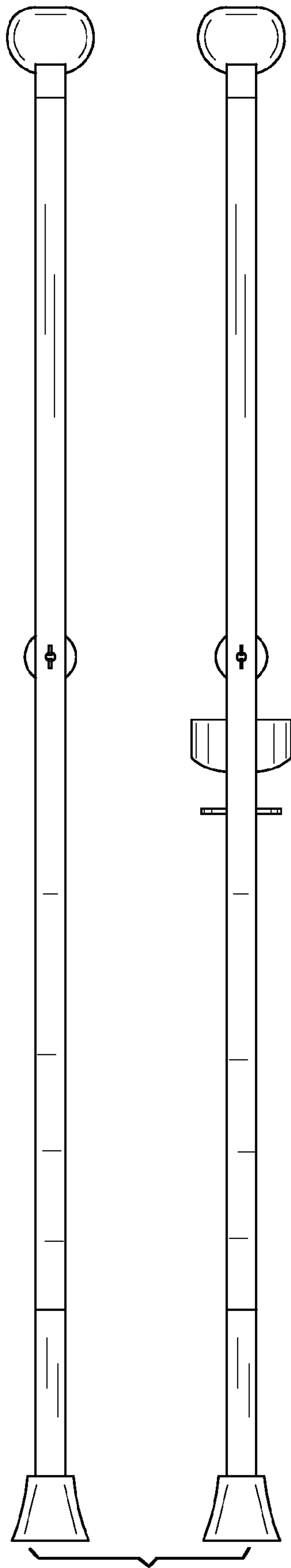


FIG. 2

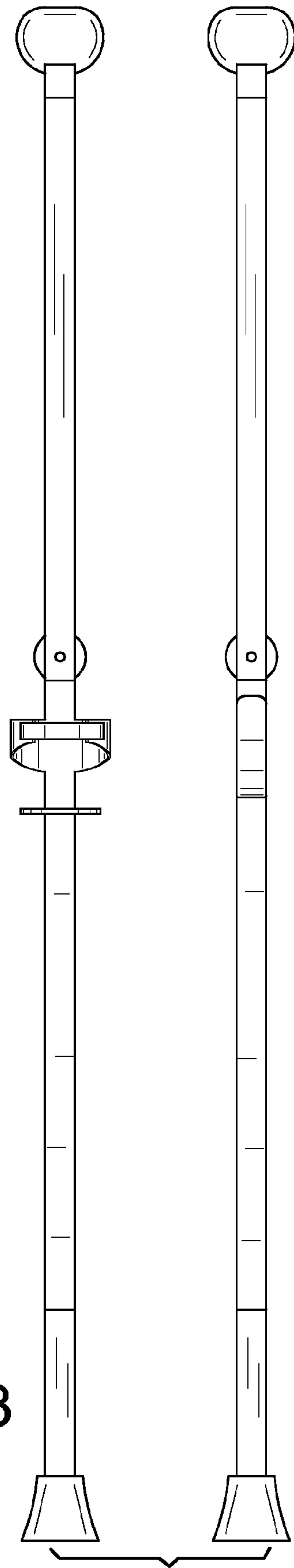


FIG. 3

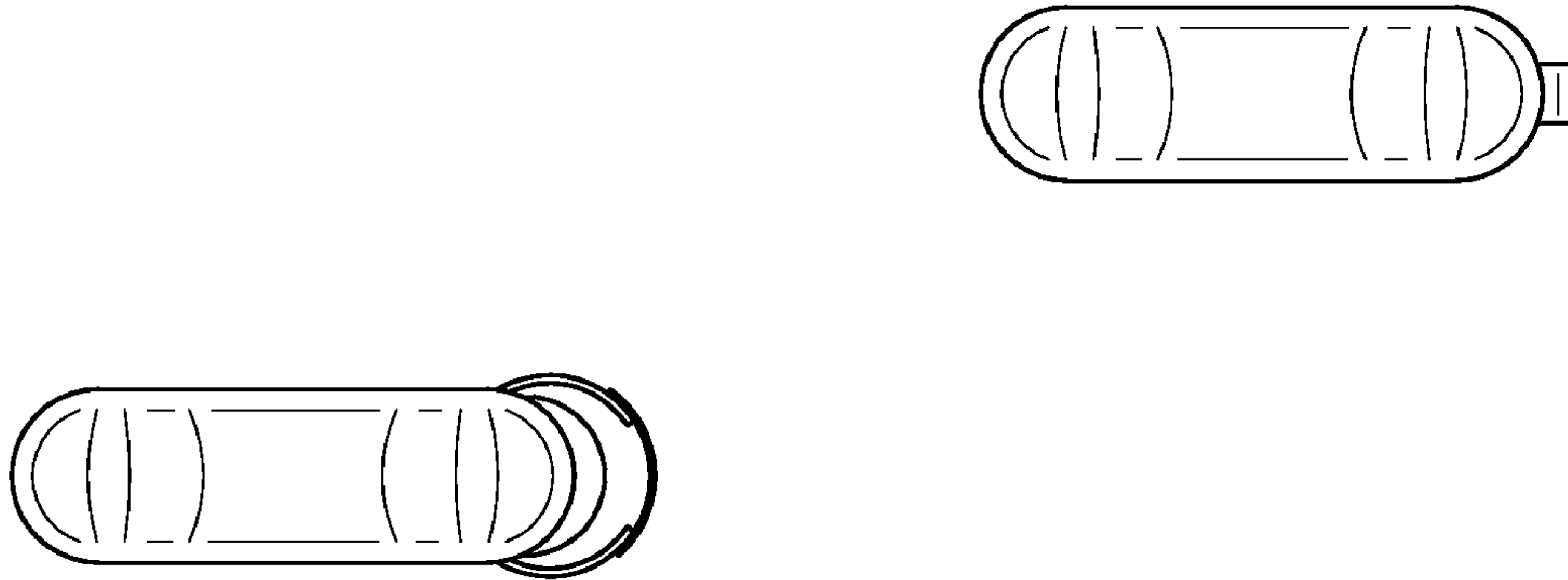


FIG. 4

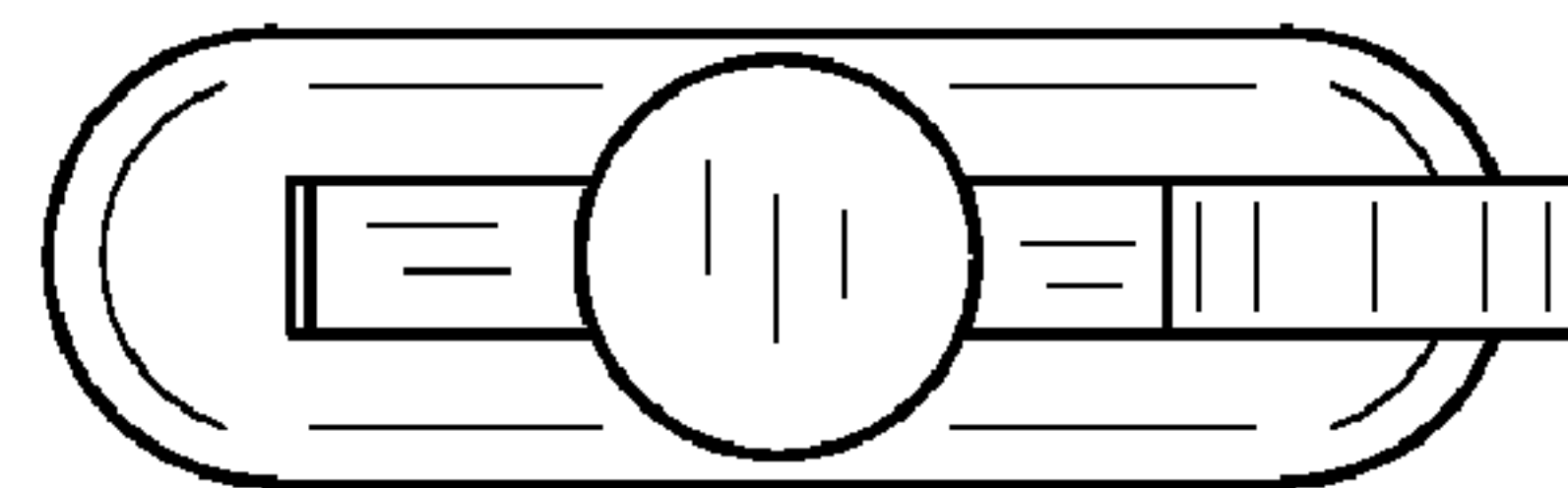
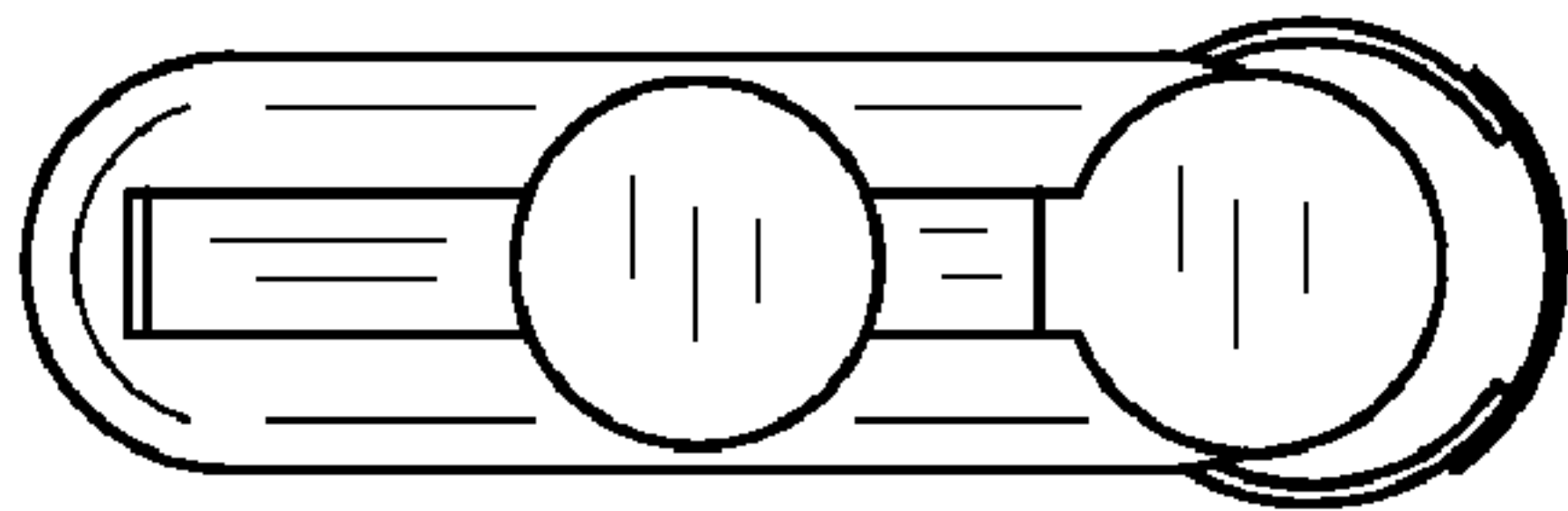


FIG. 5

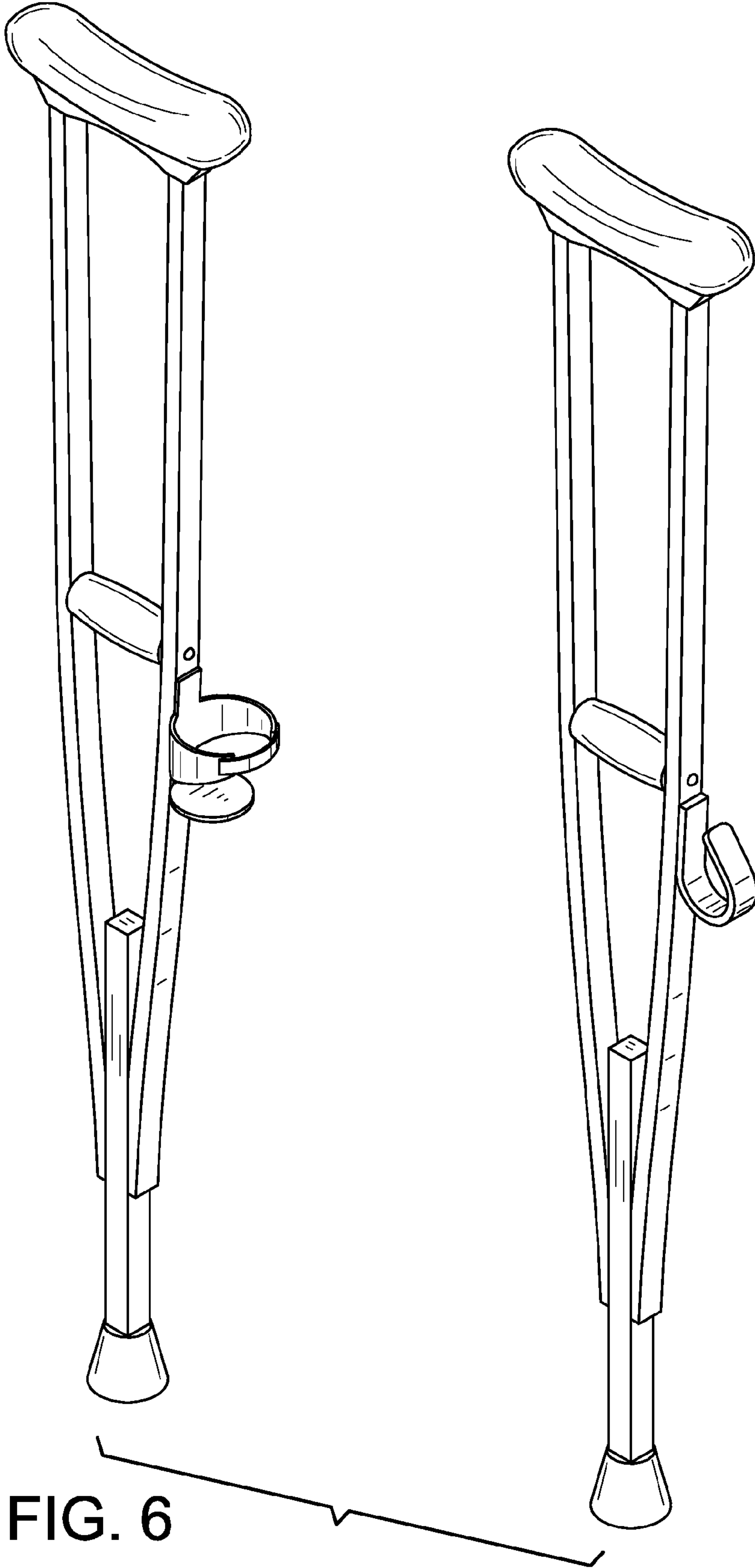


FIG. 6