



US00D617537S

(12) **United States Design Patent**
Pearson

(10) **Patent No.:** **US D617,537 S**
(45) **Date of Patent:** **** Jun. 15, 2010**

(54) **PONYTAIL ACCESSIBLE BASEBALL CAP WITH SUNGLASSES HOLDER**

(76) Inventor: **Laura T. Pearson**, P.O. Box 1154,
Kemmerer, WY (US) 83101

(**) Term: **14 Years**

(21) Appl. No.: **29/335,516**

(22) Filed: **Apr. 16, 2009**

(51) **LOC (9) Cl.** **02-03**

(52) **U.S. Cl.** **D2/884**

(58) **Field of Classification Search** D2/865,
D2/866, 870, 871, 872, 873, 874, 875, 876,
D2/877, 878, 879, 880, 881, 882, 884, 886,
D2/888, 891, 892, 893, 894, 895; 2/171,
2/171.2, 171.5, 172, 183, 184.5, 204, 209.11,
2/209.12, 209.13, 209.4, 175.1, 175.2, 175.3,
2/175.7, 195.1, 195.2, 195.7, 200.1
See application file for complete search history.

(56) **References Cited**

U.S. PATENT DOCUMENTS

4,179,753	A *	12/1979	Aronberg et al.	2/10
D324,193	S *	2/1992	Wen-Long	D11/220
5,509,145	A	4/1996	Stevenson et al.	
5,511,249	A	4/1996	Higgins	
D374,114	S *	10/1996	Arroyo et al.	D2/866
D374,548	S *	10/1996	Hartland	D2/884
D390,687	S	2/1998	Kazel	
5,799,334	A	9/1998	Griffith et al.	
5,860,167	A *	1/1999	Lizio	2/209.13
D405,590	S	2/1999	Bartz	
5,933,872	A	8/1999	Lema	
D416,666	S *	11/1999	Ballew	D2/882
5,987,648	A *	11/1999	Boyd	2/195.1
D425,688	S *	5/2000	Richlin	D2/865
D427,751	S *	7/2000	Richlin	D2/866
6,237,159	B1 *	5/2001	Martin	2/209.12
D456,118	S *	4/2002	Hill	D2/866

D482,186	S	11/2003	Pytanowski et al.	
6,647,554	B1 *	11/2003	Yan	2/209.13
6,711,749	B2	3/2004	White et al.	
D489,165	S *	5/2004	Waters	D2/866
D503,261	S *	3/2005	Pedersen	D2/882
7,062,793	B2 *	6/2006	Liao	2/172
7,454,799	B2 *	11/2008	Wuensche et al.	2/172
D590,136	S *	4/2009	Campos et al.	D2/882
2002/0095715	A1 *	7/2002	Hong	2/209.11
2003/0135912	A1	7/2003	White et al.	
2003/0233696	A1 *	12/2003	Lee	2/195.2
2004/0128740	A1	7/2004	Hoyez	
2004/0187191	A1 *	9/2004	Lee	2/171
2007/0220656	A1 *	9/2007	Cotutsca	2/171

* cited by examiner

Primary Examiner—Elizabeth A Albert
Assistant Examiner—Karen E Eldridge Powers

(57) **CLAIM**

The ornamental design for a ponytail accessible baseball cap with sunglasses holder, as shown and described.

DESCRIPTION

FIG. 1 is a perspective view of a ponytail accessible baseball cap with sunglasses holder with flap open;

FIG. 2 is a side view thereof;

FIG. 3 is an opposite side view thereof;

FIG. 4 is a back view thereof;

FIG. 5 is a front view thereof;

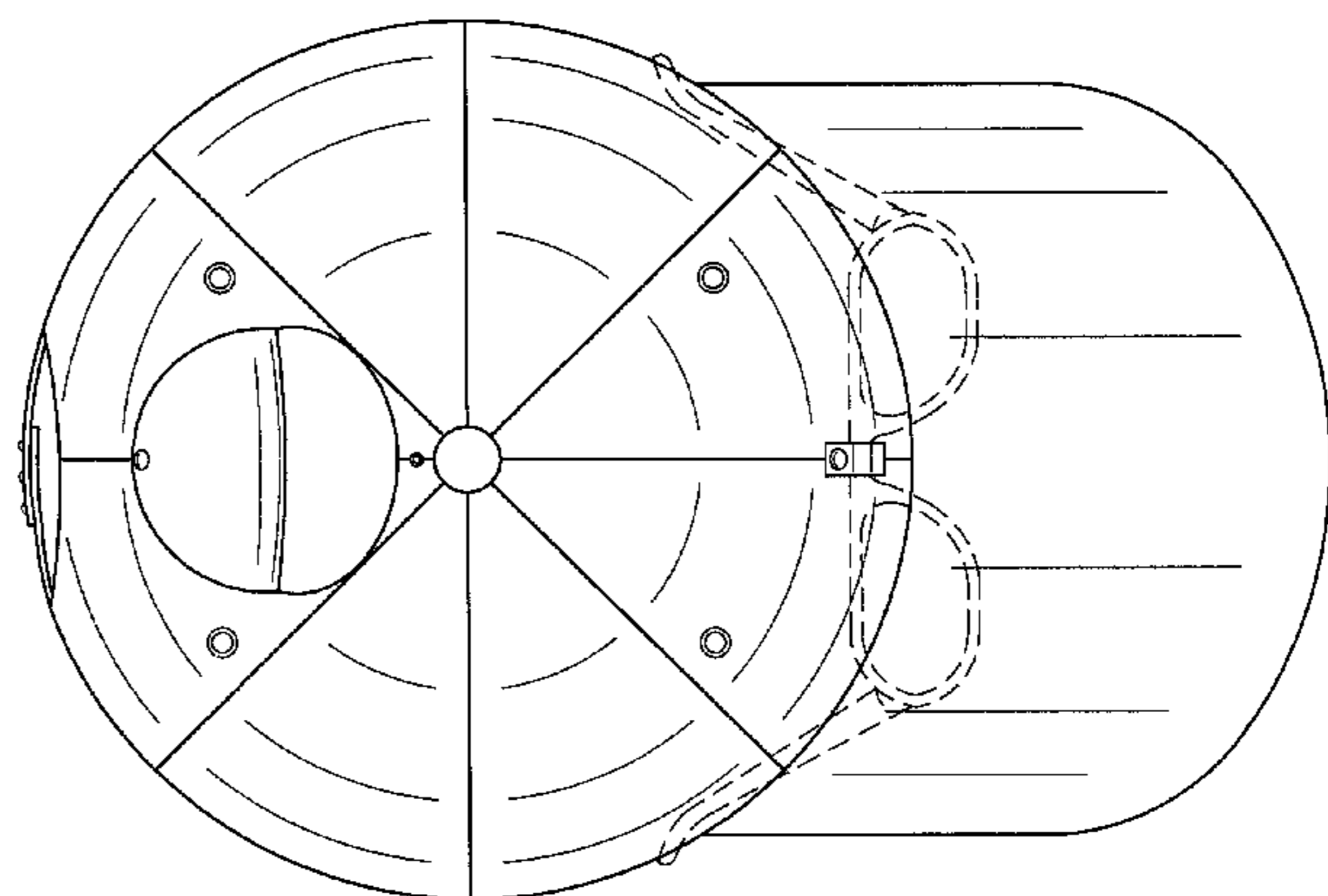
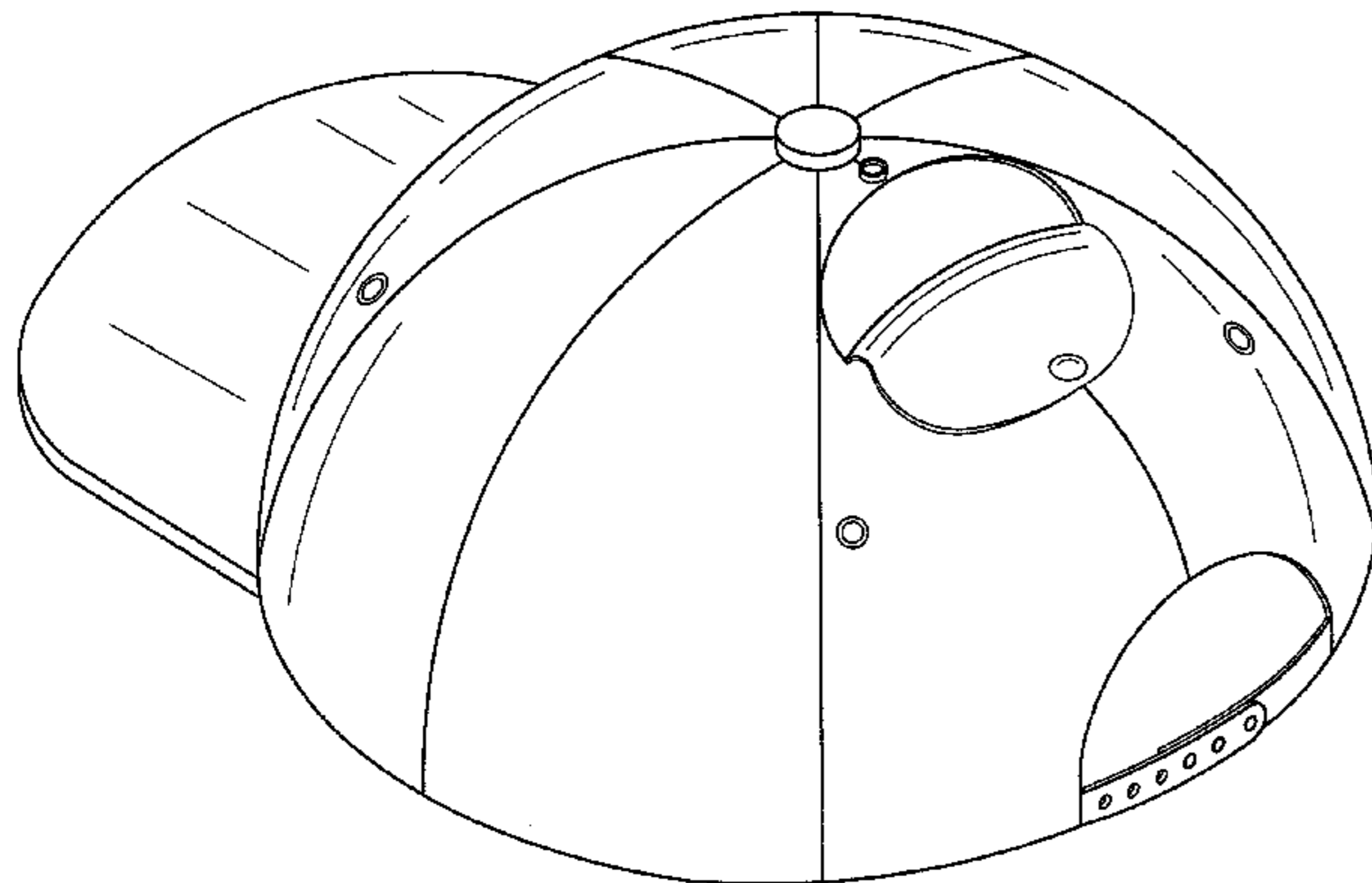
FIG. 6 is a top view thereof; and

FIG. 7 is a bottom view thereof; and,

FIG. 8 is a perspective view of a ponytail accessible baseball cap with sunglasses holder with flap closed.

In FIG. 6, the broken lines showing of environmental structure is for the purpose of illustrating the ponytail accessible baseball cap with sunglasses holder in a condition of use.

1 Claim, 7 Drawing Sheets



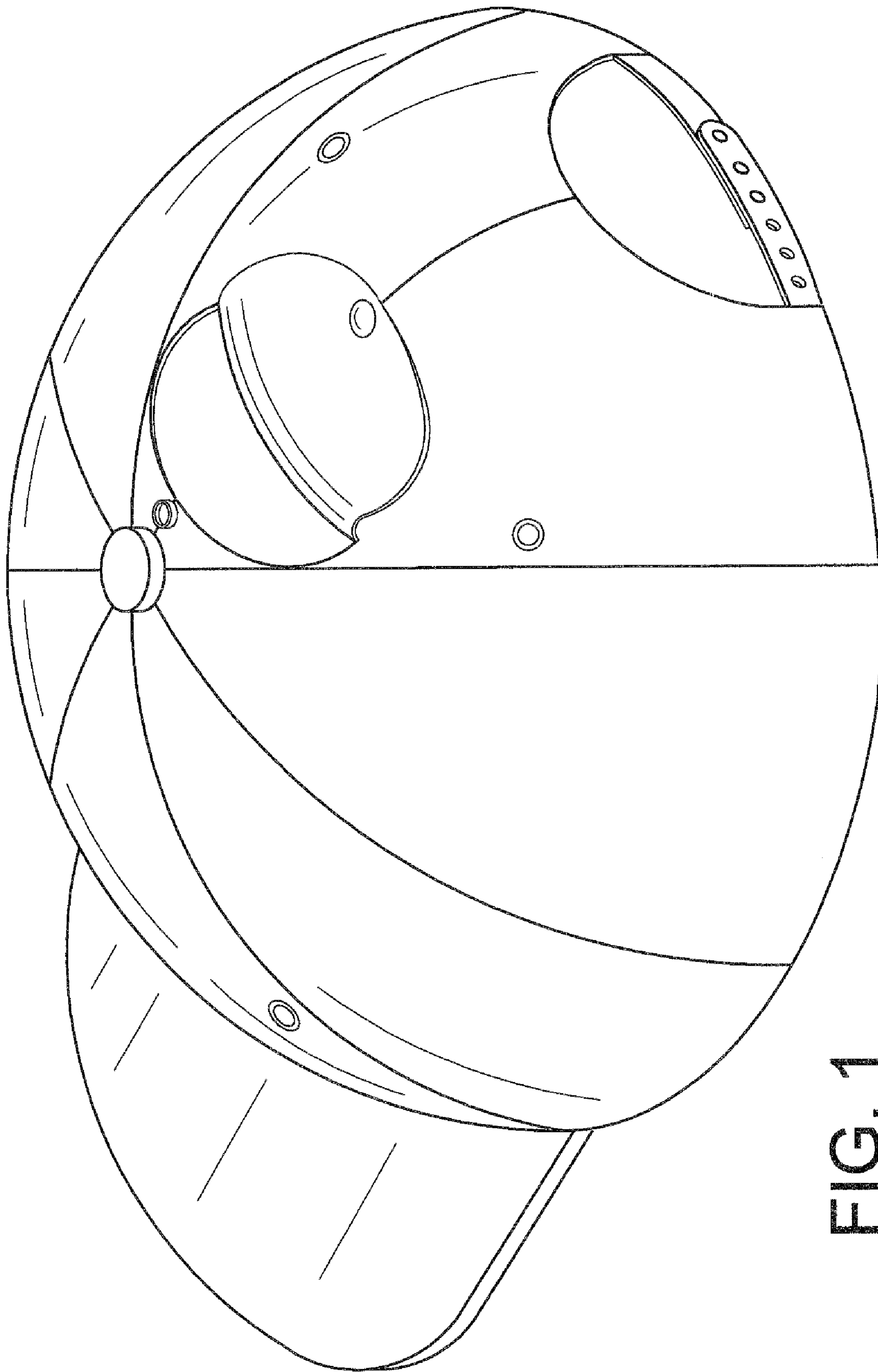


FIG. 1

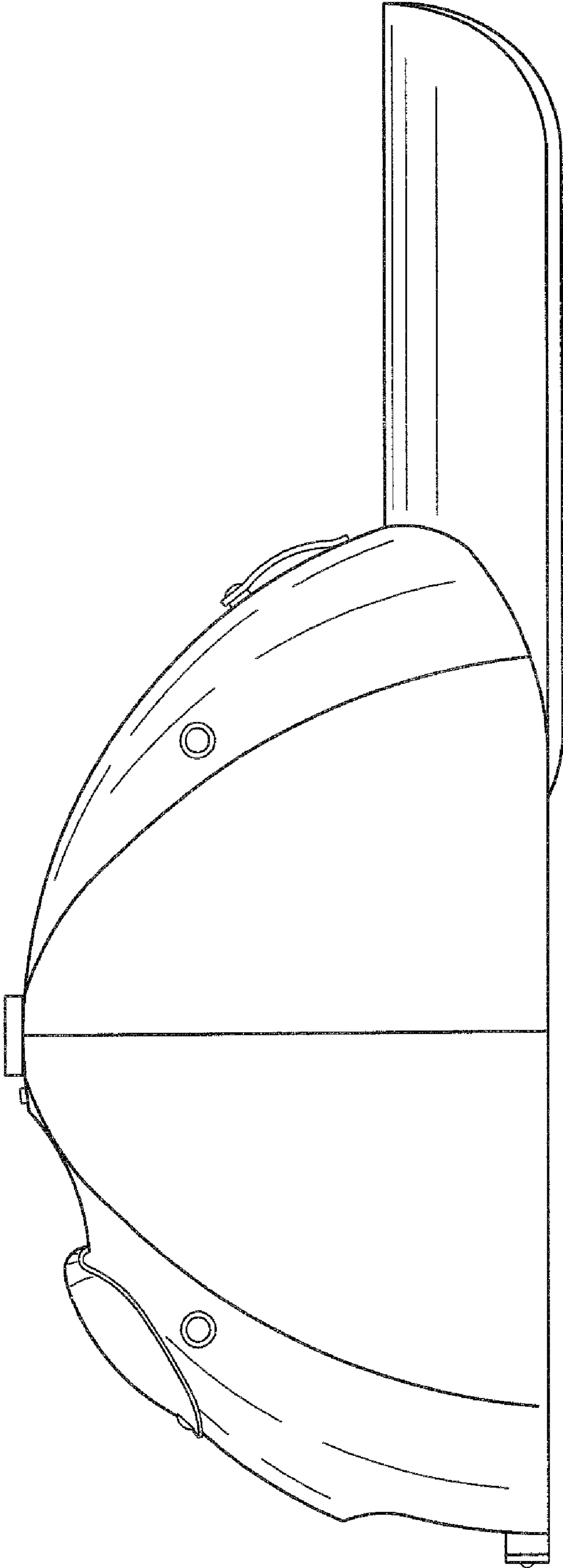


FIG. 2

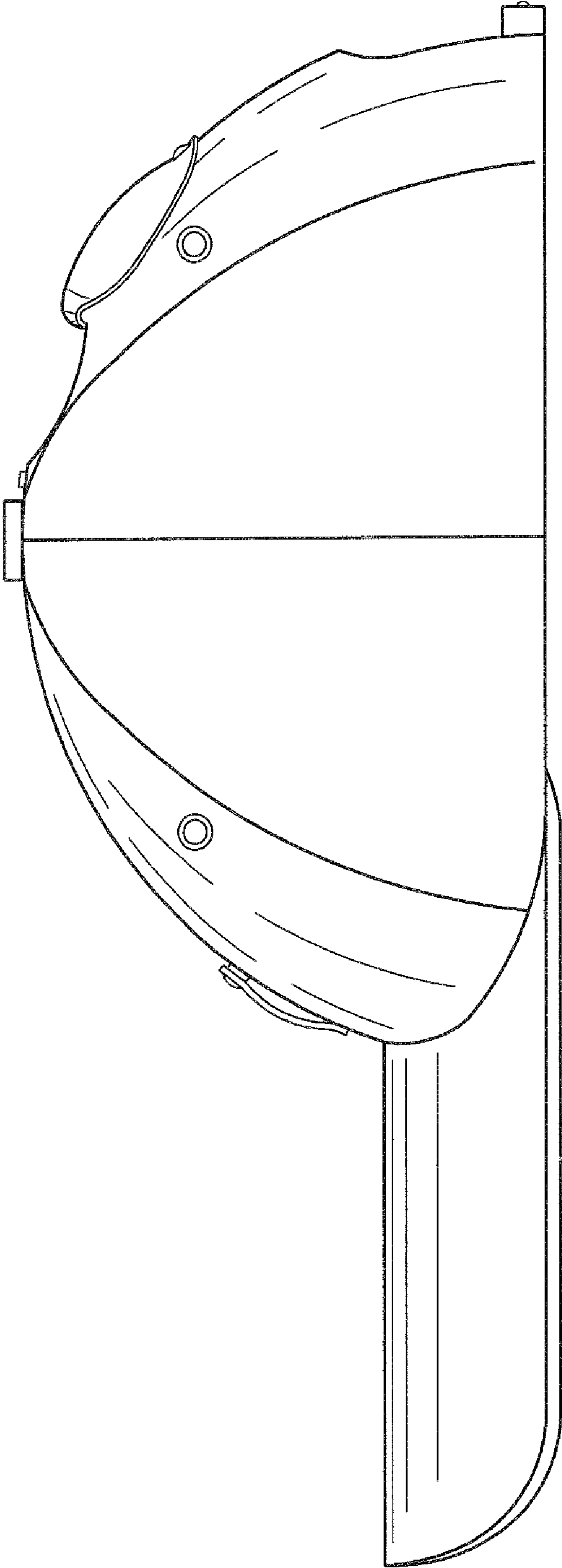


FIG. 3

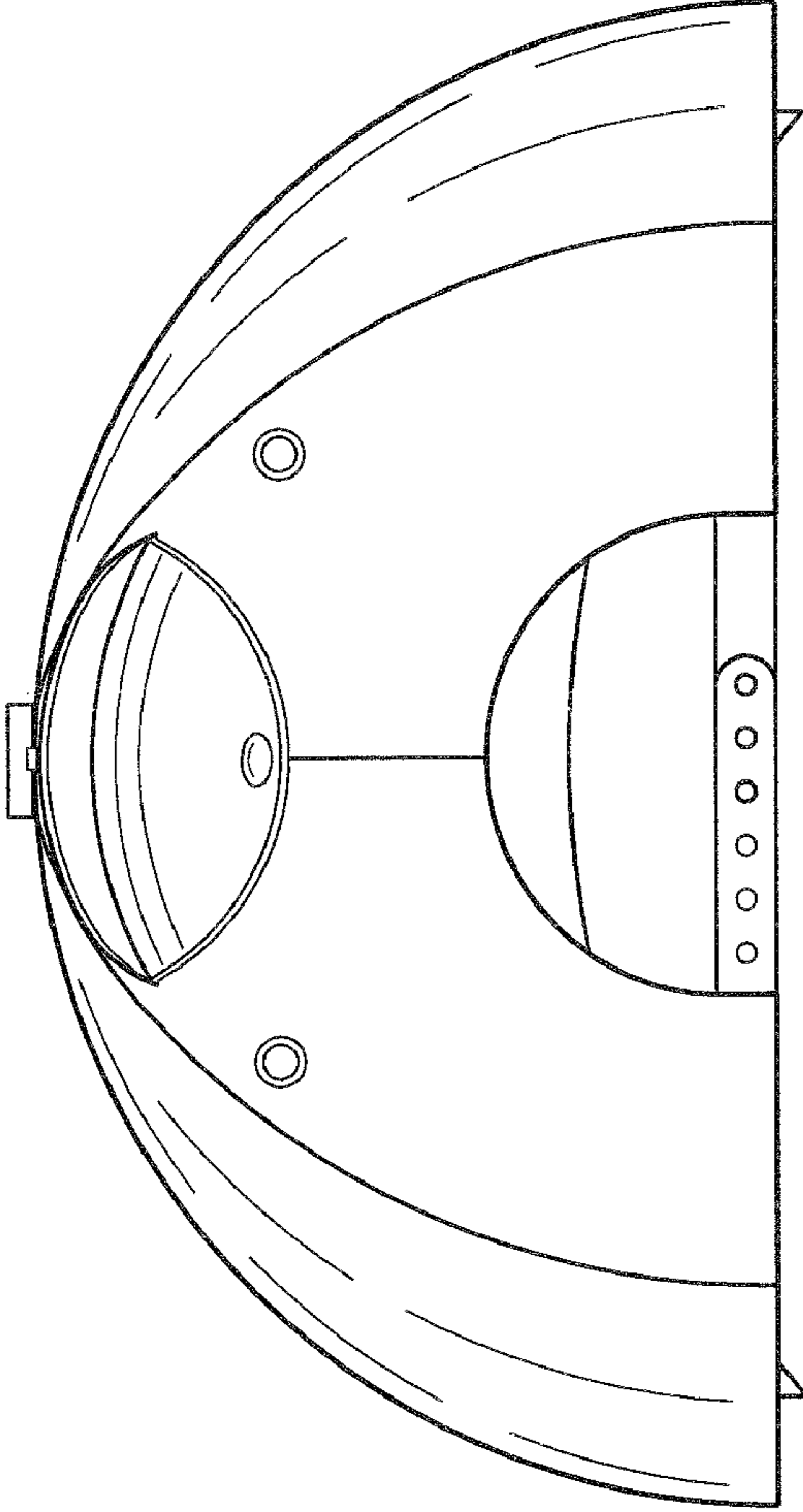


FIG. 4

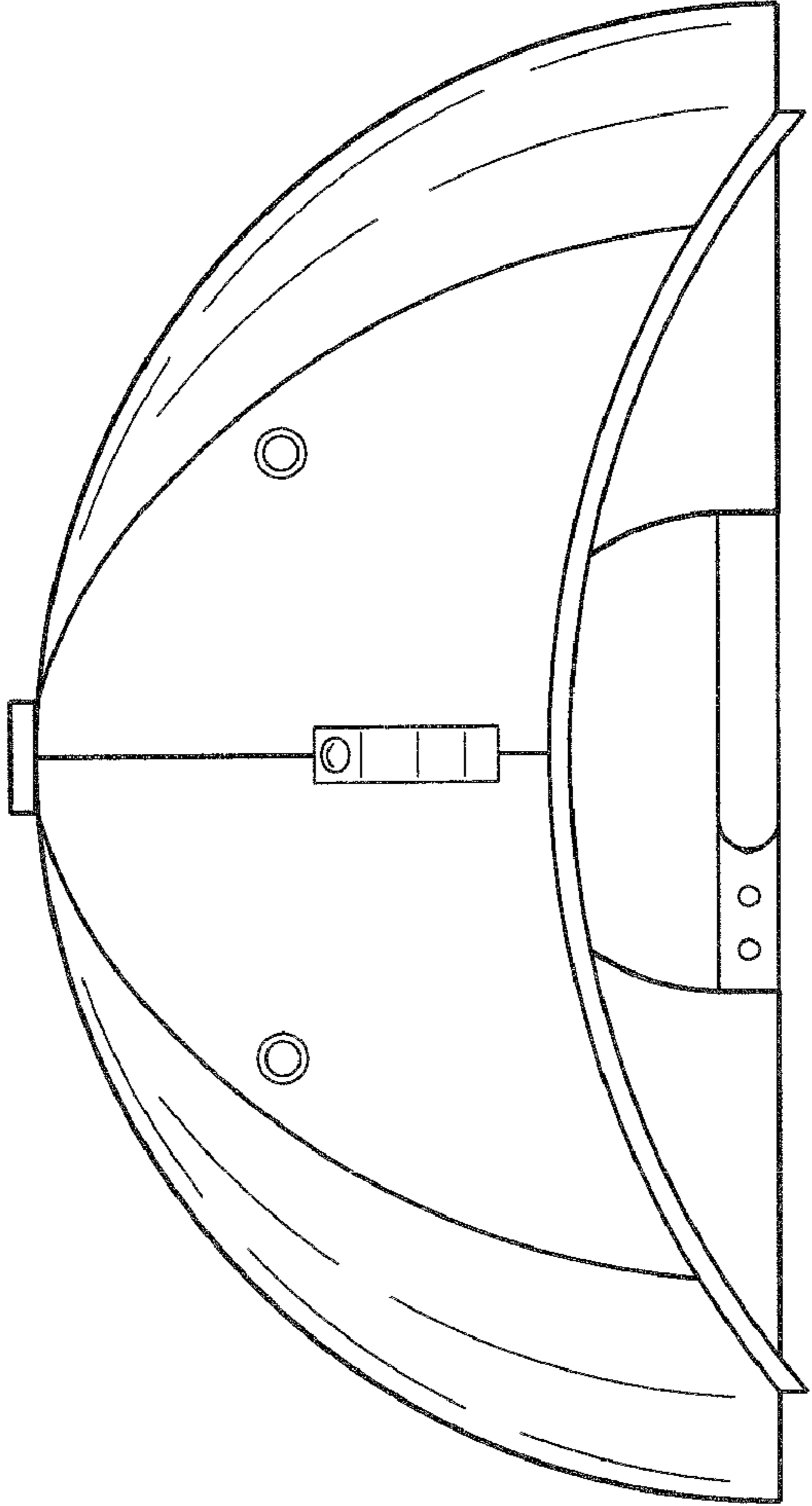


FIG. 5

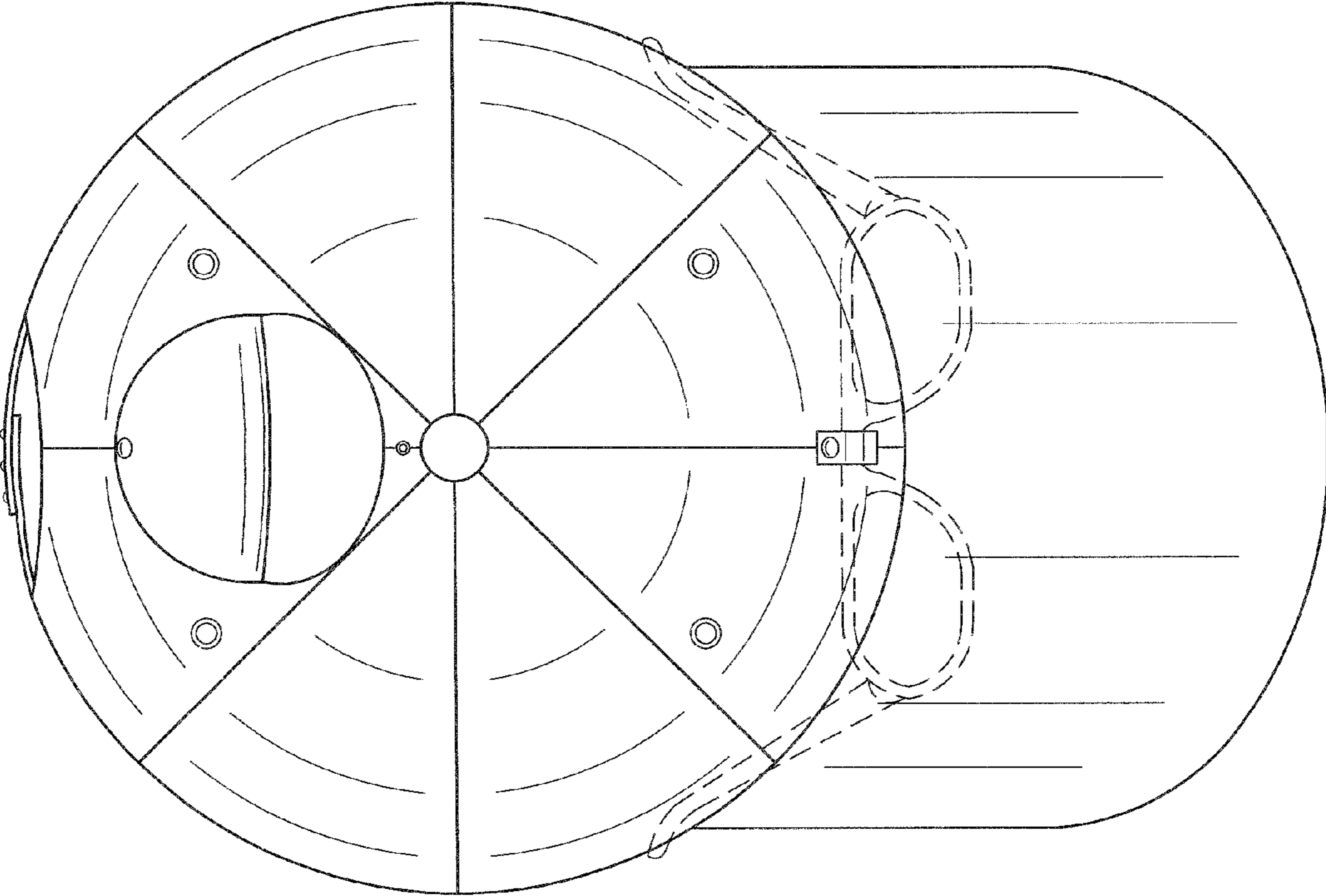


FIG. 6

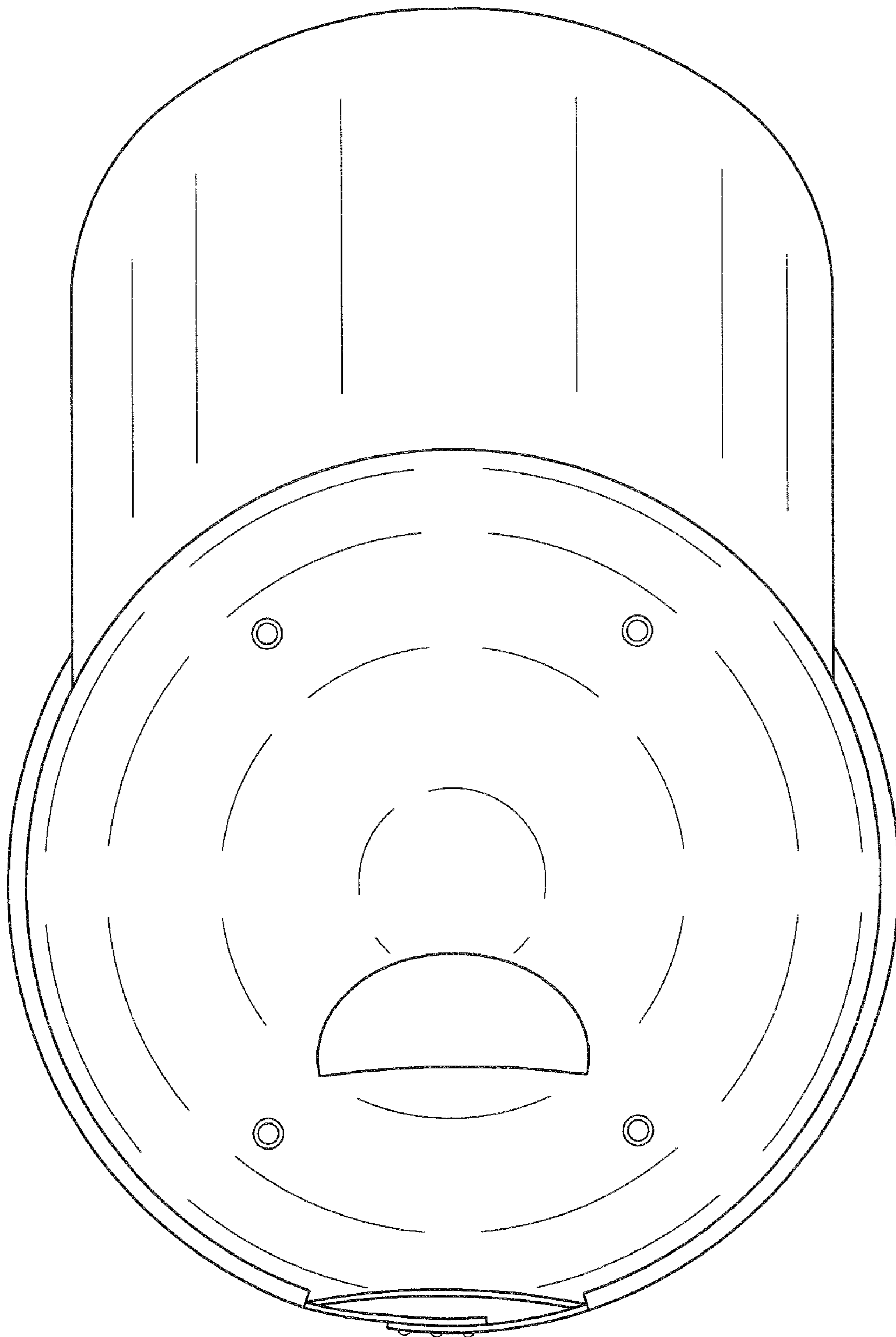


FIG. 7

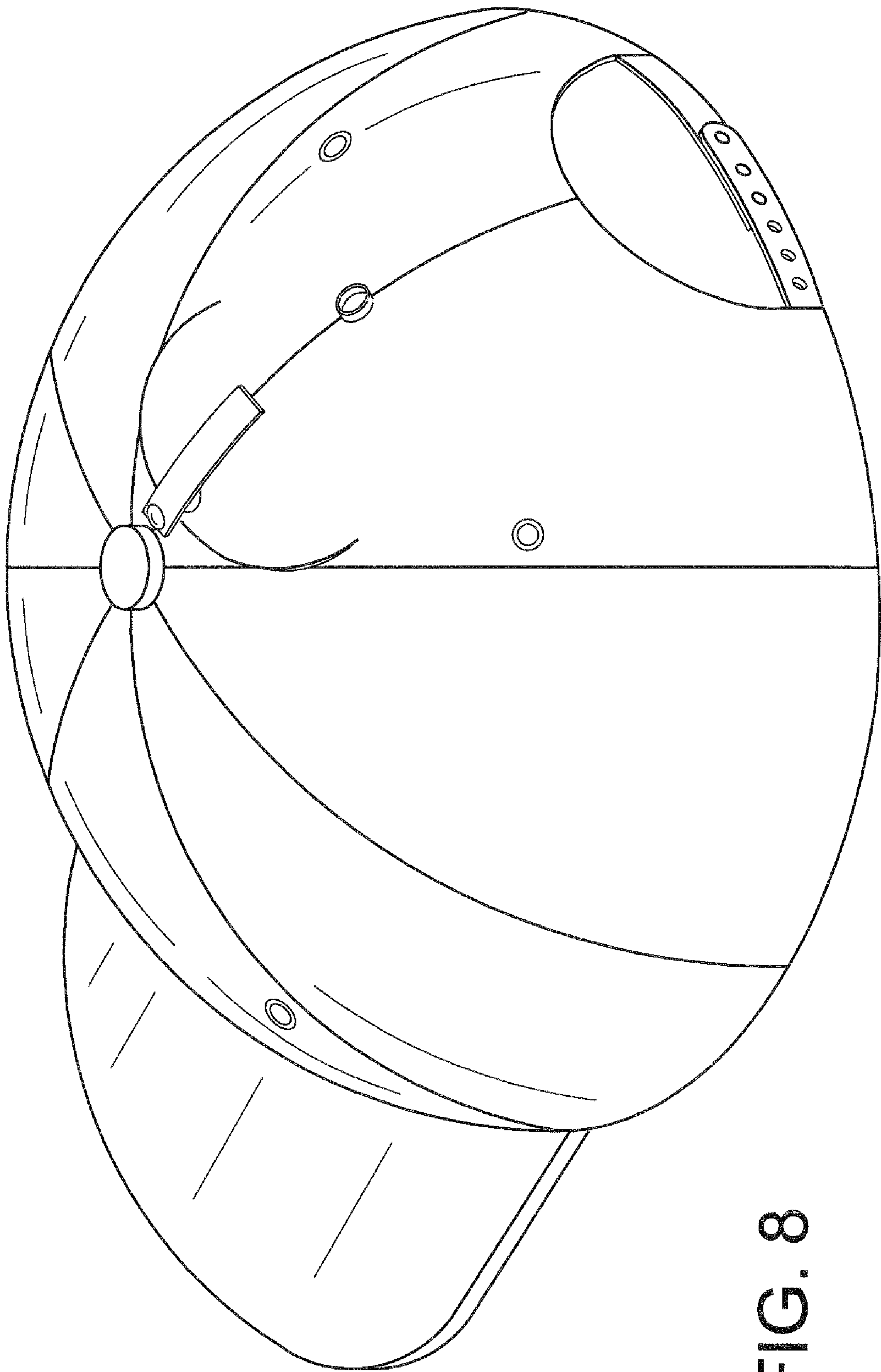


FIG. 8