



US00D617536S

(12) **United States Design Patent**
Puangprasert

(10) **Patent No.:** **US D617,536 S**
(45) **Date of Patent:** **** Jun. 15, 2010**

(54) **VENTILATED HAT**

1,625,670 A 4/1927 Maxwell

(76) Inventor: **Dolawat Puangprasert**, 8004 S. Karlov Ave., Chicago, IL (US) 60652

(Continued)

(**) Term: **14 Years**

OTHER PUBLICATIONS

(21) Appl. No.: **29/350,903**

mkeart forums postings dated Apr. 19, 2008, stating the opening date of the Milwaukee Institute of Art & Design Senior Exhibitions as Apr. 18, 2008 (2 pages).

(22) Filed: **Nov. 25, 2009**

(Continued)

Related U.S. Application Data

(62) Division of application No. 29/336,439, filed on May 4, 2009, now Pat. No. Des. 607,629.

Primary Examiner—Elizabeth A Albert

Assistant Examiner—Karen E Eldridge Powers

(74) *Attorney, Agent, or Firm*—Michael Best & Friedrich LLP

(51) **LOC (9) Cl.** **02-03**

(52) **U.S. Cl.** **D2/879**

(58) **Field of Classification Search** D2/865,
D2/866, 867, 868, 869, 870, 871, 872, 873,
D2/874, 875, 876, 877, 878, 879, 880, 881,
D2/882, 883, 884, 885, 886, 887, 889, 891,
D2/893, 895; 2/171, 171.4, 171.5, 171.6,
2/171.7, 171.8, 175.1, 175.3, 175.4, 181,
2/183, 195.1, 195.2, 195.3, 195.4, 200.1,
2/200.2, 209.12, 209.4, 209.7

See application file for complete search history.

(57) **CLAIM**

I claim the ornamental design for a ventilated hat, as shown and described.

DESCRIPTION

FIG. 1 is a perspective view of a ventilated hat.

FIG. 2 is top view of the ventilated hat shown in FIG. 1.

FIG. 3 is a bottom view of the ventilated hat shown in FIG. 1.

FIG. 4 is a right side view of the ventilated hat shown in FIG. 1.

FIG. 5 is left side view of the ventilated hat shown in FIG. 1.

FIG. 6 is a front view of the ventilated hat shown in FIG. 1; and,

FIG. 7 is a rear view of the ventilated hat shown in FIG. 1.

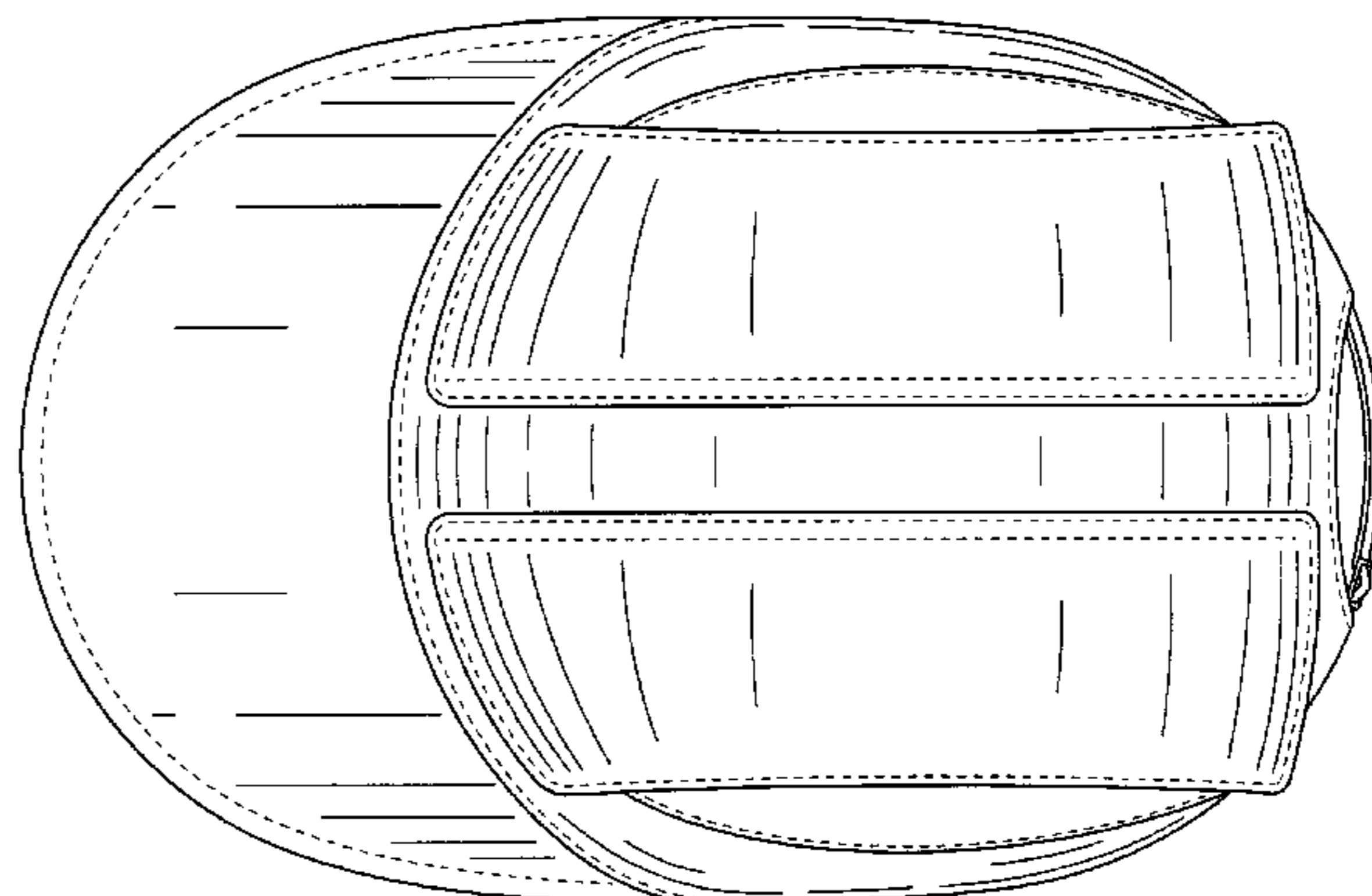
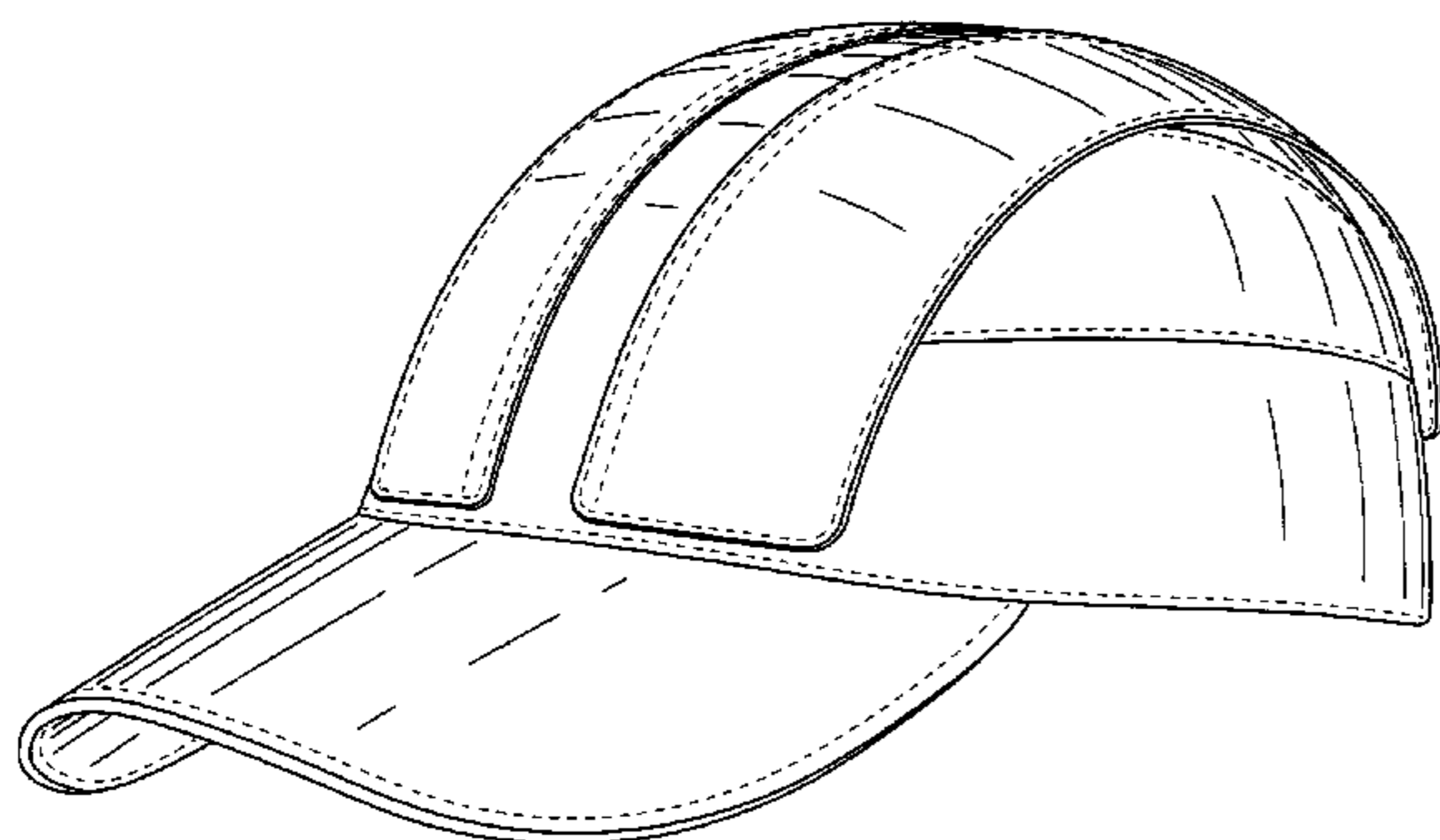
The lines of stitching shown in broken lines across the top and sides of the crown as well as along the side of the brim are for illustrative purposes only and form no part of the claimed design.

1 Claim, 7 Drawing Sheets

(56) **References Cited**

U.S. PATENT DOCUMENTS

13,361 A	7/1855	Sellers	
50,285 A	10/1865	Smith	
59,092 A	10/1866	Stattmann	
418,282 A	12/1889	Fechter	
1,105,400 A	7/1914	Burke	
1,170,052 A	2/1916	Diener et al.	
1,218,891 A	3/1917	Pludowski	
1,390,818 A *	9/1921	Sakagami	2/171.7
1,418,198 A	5/1922	Neppell	
1,486,102 A	3/1924	Merton	



US D617,536 S

U.S. PATENT DOCUMENTS

1,648,551	A	11/1927	Klein	5,790,986	A	8/1998	Hall
1,665,750	A	4/1928	McKee et al.	D398,741	S	9/1998	Ella
D81,055	S	4/1930	Heater	5,819,318	A	10/1998	Tse
D90,101	S	6/1933	Campbell	D400,692	S	* 11/1998	Bell D2/882
1,988,101	A	1/1935	Wittcoff	5,829,065	A	* 11/1998	Cahill 2/418
1,990,096	A	2/1935	Rothchild	5,839,121	A	11/1998	Morales
1,997,708	A	4/1935	Uriwal	D403,491	S	1/1999	Wyatt et al.
2,004,913	A	6/1935	Klein	5,855,023	A	1/1999	Clingenpeel et al.
2,349,471	A	5/1944	Starbeck	D405,239	S	2/1999	Kostinko
D155,914	S	11/1949	Lish	D406,687	S	3/1999	Thorpe
D157,177	S	2/1950	Lazarus	5,887,287	A	3/1999	Potochnik
2,594,906	A	4/1952	Gardner	5,894,604	A	4/1999	Crabb et al.
3,514,787	A	6/1970	Kennedy, Jr.	5,937,446	A	8/1999	Fallert
3,561,011	A	2/1971	Gregg	D417,941	S	* 12/1999	Bass D2/869
3,991,422	A	11/1976	Saotome	D420,493	S	2/2000	Blake
4,023,212	A	5/1977	Huffman	6,023,788	A	2/2000	McCallum et al.
4,101,981	A	7/1978	Boden	D424,788	S	5/2000	Davis
4,114,201	A	9/1978	Garrison	D429,871	S	8/2000	Dassinger
4,274,157	A	6/1981	Boden	6,131,201	A	10/2000	Chu
4,312,076	A	1/1982	Gamm	6,151,718	A	11/2000	Shirai
4,386,437	A	6/1983	Fosher	6,209,139	B1	4/2001	Schmidt et al.
4,476,589	A	10/1984	Burgin et al.	6,243,876	B1	6/2001	Provenzano et al.
D276,666	S	12/1984	Bryant	D459,573	S	7/2002	Schechter
4,551,860	A	11/1985	Smit et al.	D460,244	S	7/2002	Coluccio
4,556,993	A	12/1985	Okamura, Sr.	6,453,475	B1	9/2002	Johnson
4,607,397	A	8/1986	Laxo	D465,641	S	11/2002	Provenzano et al.
4,827,384	A	5/1989	Von Schlemmer	6,560,785	B1	5/2003	Taguchi
4,850,049	A	7/1989	Landis et al.	D481,852	S	* 11/2003	Turner D2/873
D311,992	S	11/1990	Cox, Jr.	6,671,885	B2	1/2004	Viggiano
4,980,928	A	1/1991	Ellis	6,718,557	B2	4/2004	Claro
4,989,270	A	2/1991	Boughten	D491,714	S	6/2004	Upcott
4,999,852	A	3/1991	Murray	6,789,268	B2	9/2004	Yan
5,012,532	A	5/1991	Krystal	6,802,083	B2	10/2004	Yan
D319,137	S	* 8/1991	Thomas D2/876	D498,572	S	* 11/2004	Si D2/882
5,048,128	A	9/1991	Watson, Jr.	D501,068	S	1/2005	Spitz
D322,504	S	12/1991	Vossler	6,857,135	B2	* 2/2005	Sumitomo 2/410
5,091,995	A	3/1992	Oates	D514,282	S	2/2006	Broome
5,099,524	A	3/1992	Linday	D517,780	S	3/2006	Kim
5,121,507	A	6/1992	Brown	D517,781	S	3/2006	Ortley et al.
5,157,788	A	10/1992	Schultz	D527,871	S	9/2006	Rogers
5,159,720	A	11/1992	Scott, Jr.	7,127,746	B2	10/2006	Park
5,239,704	A	8/1993	Cornelio et al.	7,152,250	B2	12/2006	Phillip, Sr.
5,253,364	A	10/1993	Robinson	D535,460	S	1/2007	Ortley et al.
D341,905	S	11/1993	Marshall et al.	7,174,573	B1	2/2007	Chen et al.
5,289,591	A	3/1994	Andersen	D538,011	S	3/2007	Yan
D346,893	S	5/1994	St-Germain	D553,830	S	10/2007	Landers
D352,379	S	11/1994	Pierce, Jr.	D560,051	S	1/2008	Robinson
5,373,586	A	12/1994	Brosnan	D568,029	S	5/2008	Niles
5,423,448	A	* 6/1995	Pedigo 294/68.2	D568,583	S	5/2008	Niles
5,454,120	A	10/1995	Rowlands	7,380,286	B1	6/2008	Bryant, Sr.
5,459,881	A	10/1995	Fagan et al.	D571,982	S	7/2008	Kirby
5,481,761	A	1/1996	Lichti	D592,380	S	5/2009	McLaughlin
5,487,191	A	1/1996	Ridley	2002/0095715	A1	7/2002	Hong
5,495,622	A	3/1996	Kaufman	2004/0187191	A1	9/2004	Lee
5,533,500	A	7/1996	Her-Mou	2006/0053527	A1	3/2006	Schneider
D374,548	S	10/1996	Hartland	2008/0000013	A1	1/2008	Talley
D376,682	S	12/1996	Johnson				
5,623,732	A	4/1997	Olajide, Jr.				
D379,111	S	5/1997	Foray				
5,649,327	A	7/1997	Crewe				
D384,190	S	9/1997	Kellogg				
5,664,261	A	9/1997	Lacy				
D384,789	S	10/1997	Crabb et al.				
5,694,648	A	12/1997	Nucifora				
5,696,356	A	* 12/1997	Dudley et al. 181/136				
5,704,070	A	1/1998	Stogner				
5,724,678	A	3/1998	McCallum et al.				
5,771,493	A	6/1998	Proctor				
5,781,933	A	7/1998	De Giacomi				

OTHER PUBLICATIONS

Posting on Milwaukee Institute of Art & Design (MIAD) website stating the dates of the 2008 Senior Exhibition as Apr. 18-May 10. Page viewed on Jul. 13, 2009 (1 page).

Postings on the Milwaukee Institute of Art & Design (MIAD) website, of a gallery slideshow showing a compilation of images of the 2008 Senior Exhibition. Specifically shown are images from the exhibition for the "Molocap," the senior thesis design for the inventor of the claimed design (4 pages).

Scalloped hat designs (at arrows on p. 2), dated Feb. 28, 2007, as shown on <http://jwz.livejournal.com>. (2 pages; pp. 3-7 not included as no images are shown).

* cited by examiner

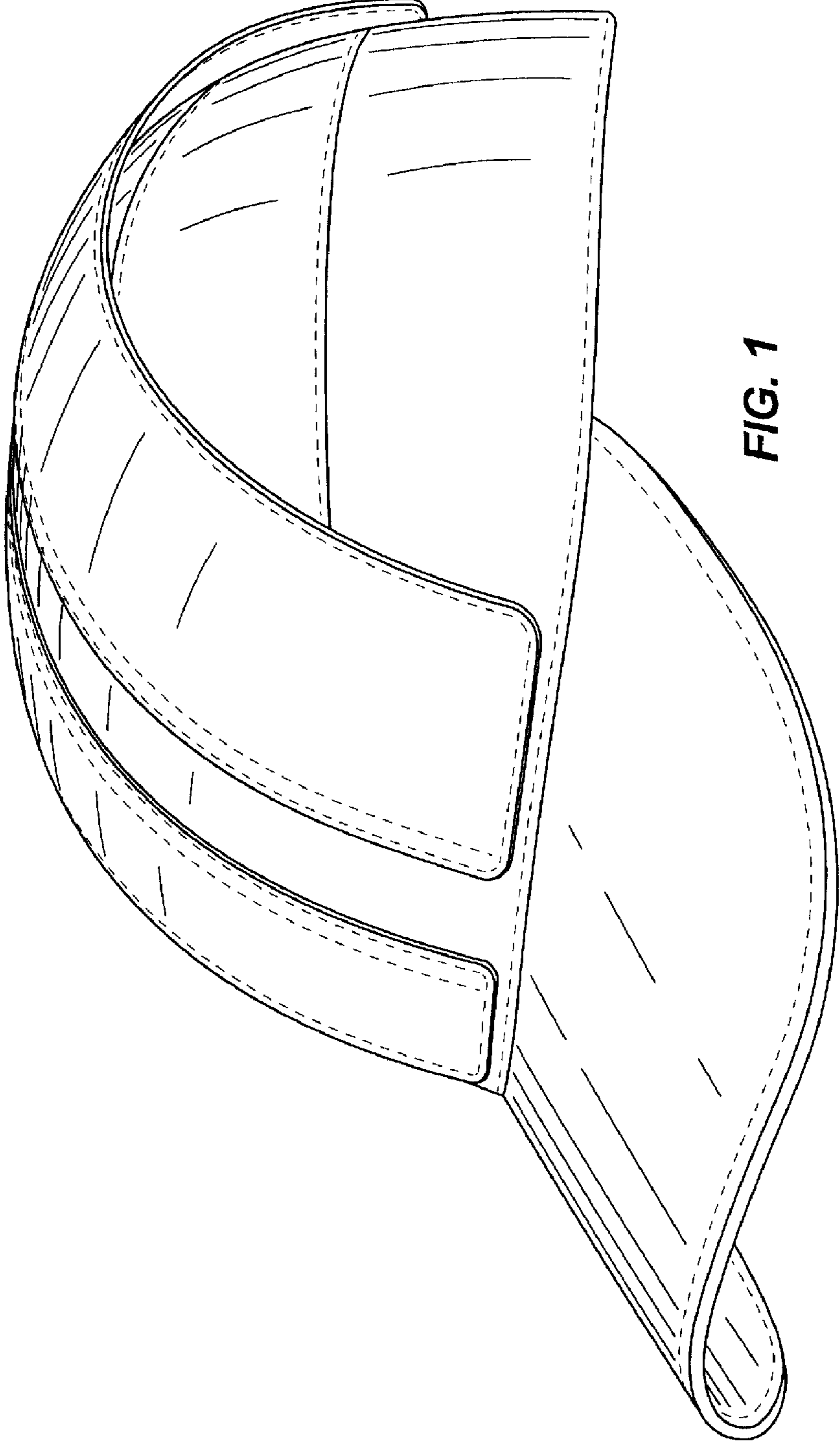


FIG. 1

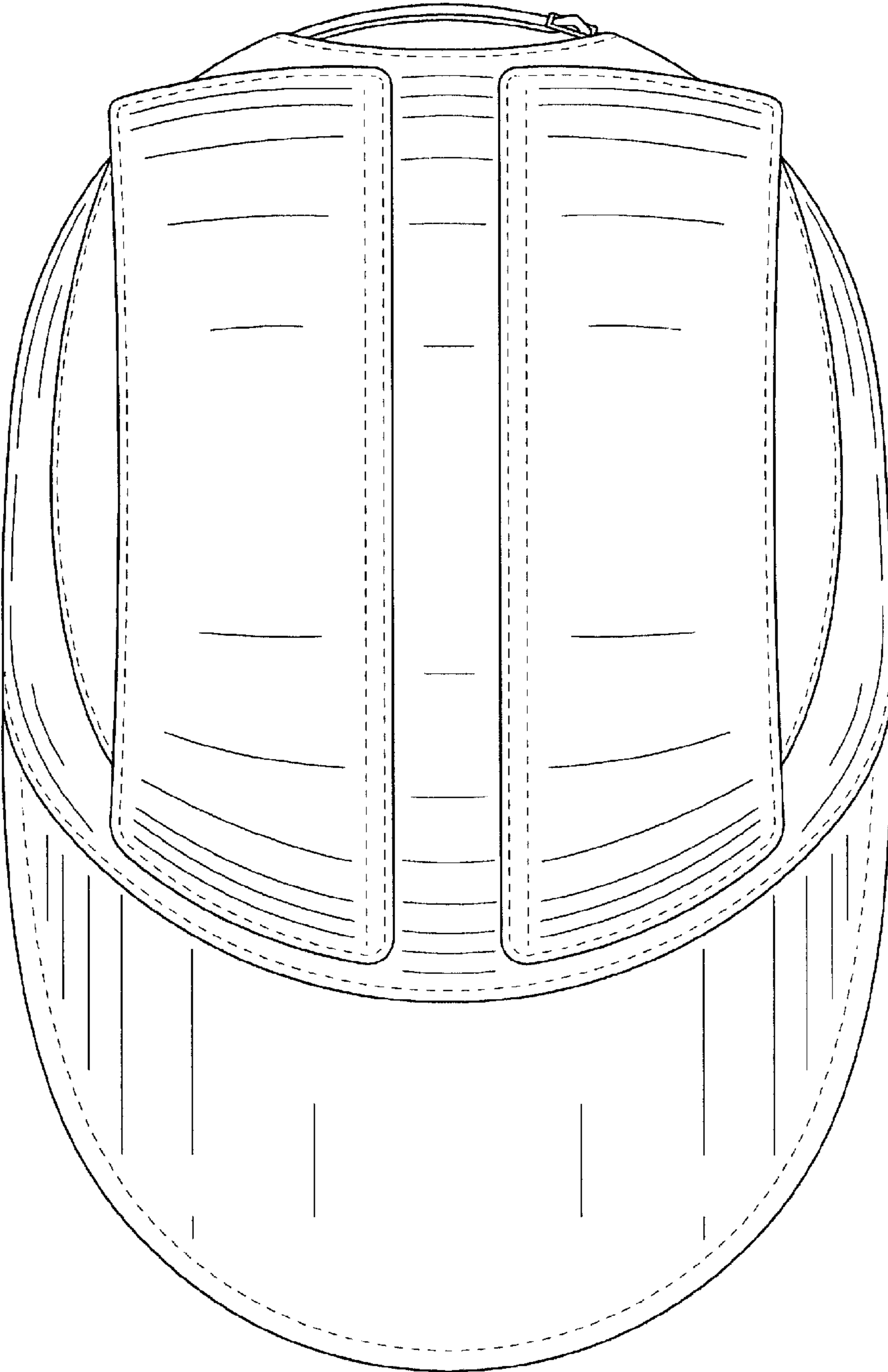


FIG. 2

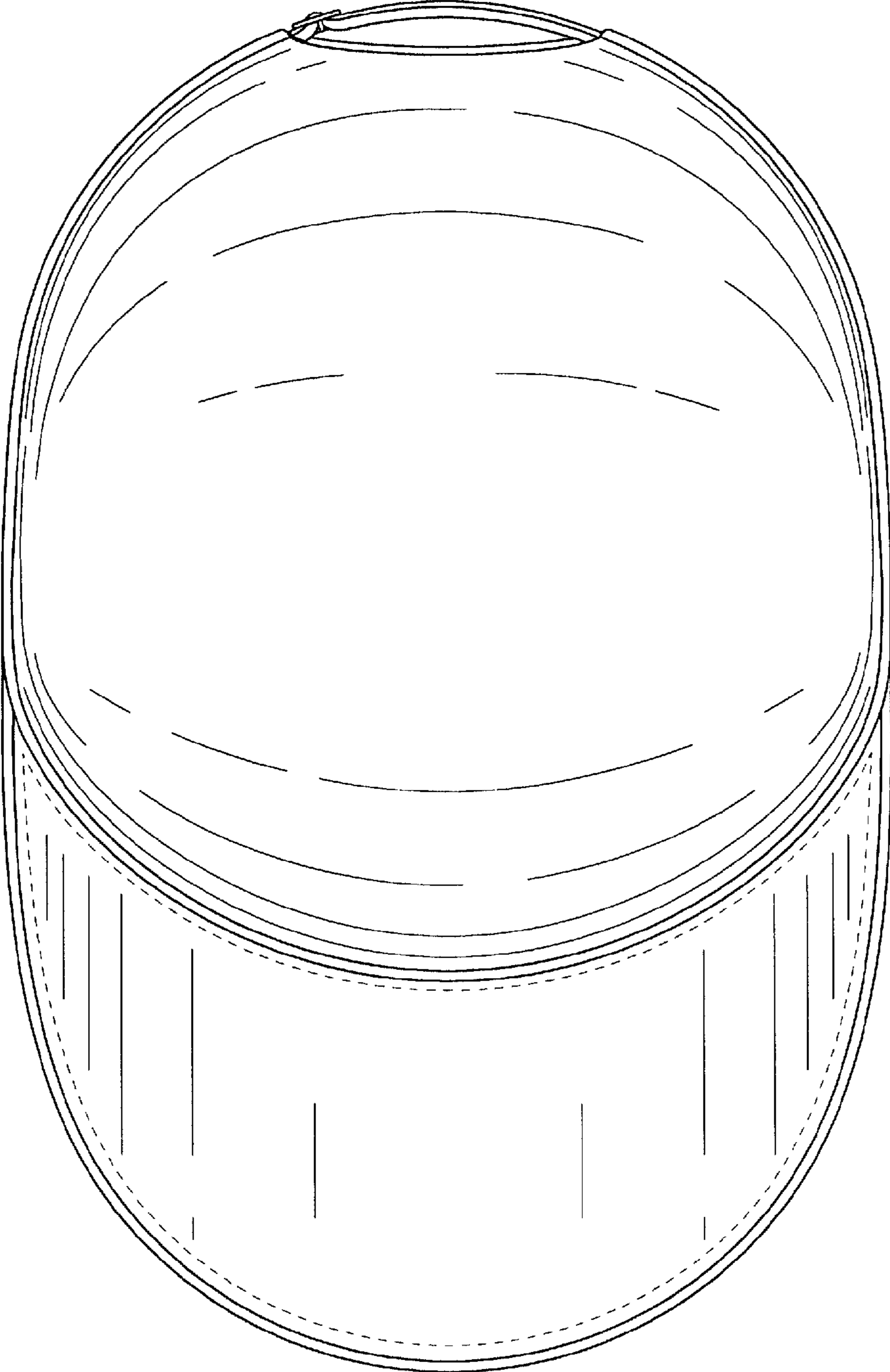


FIG. 3

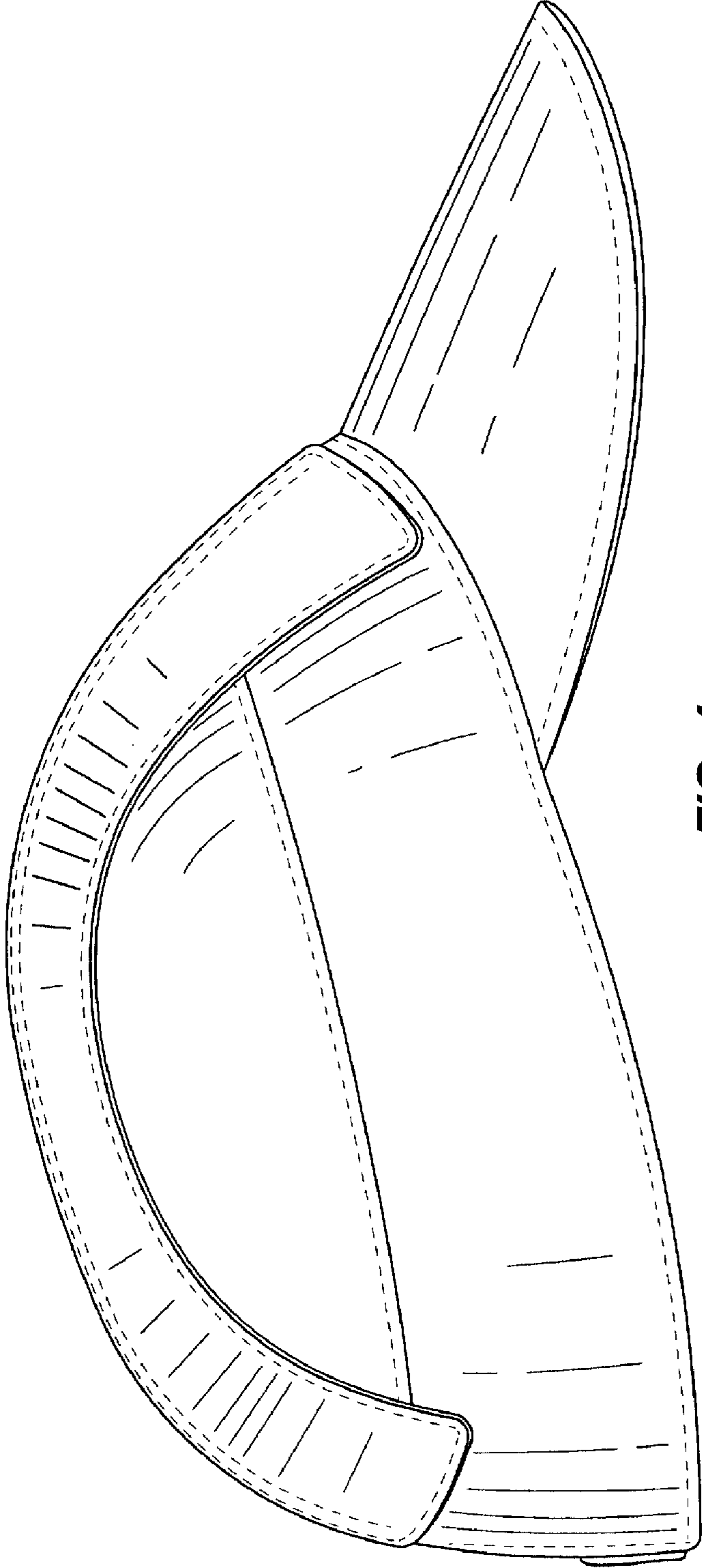


FIG. 4

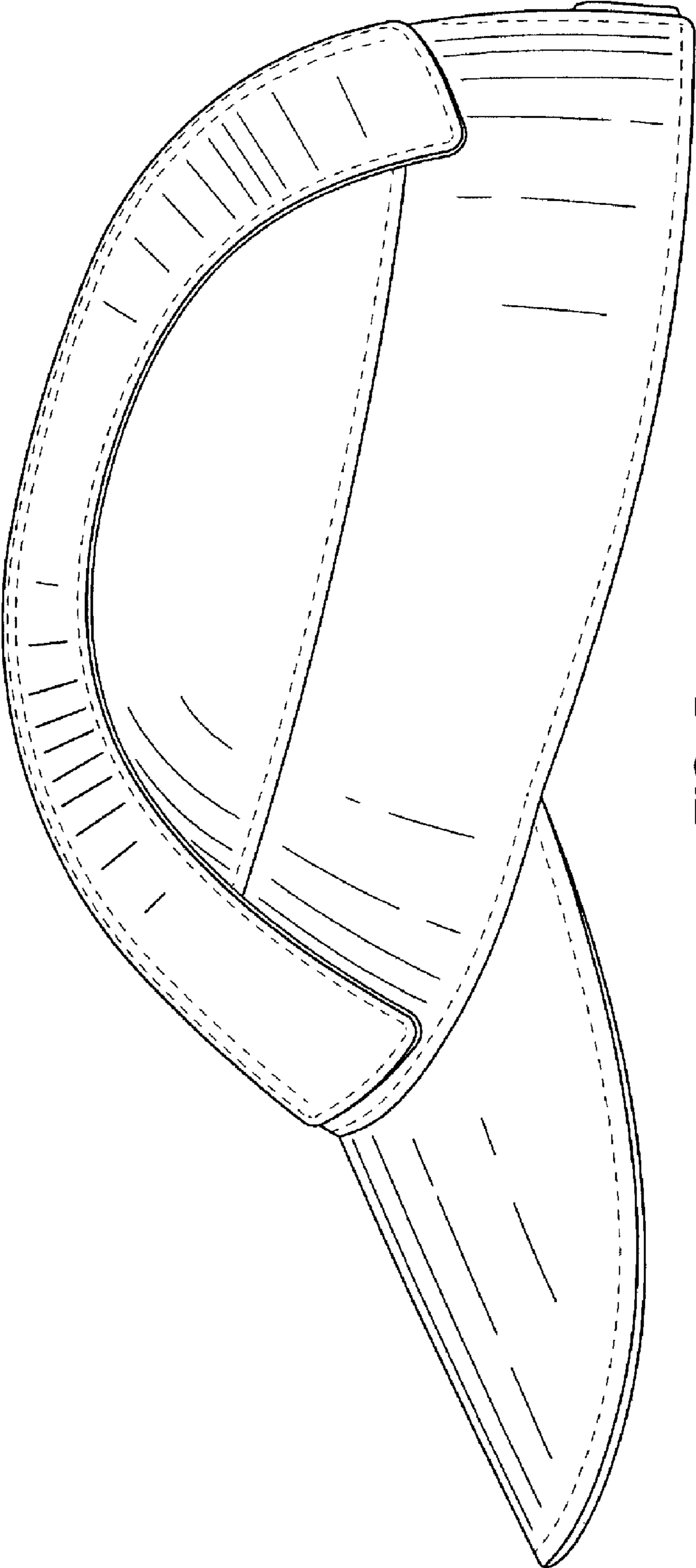


FIG. 5

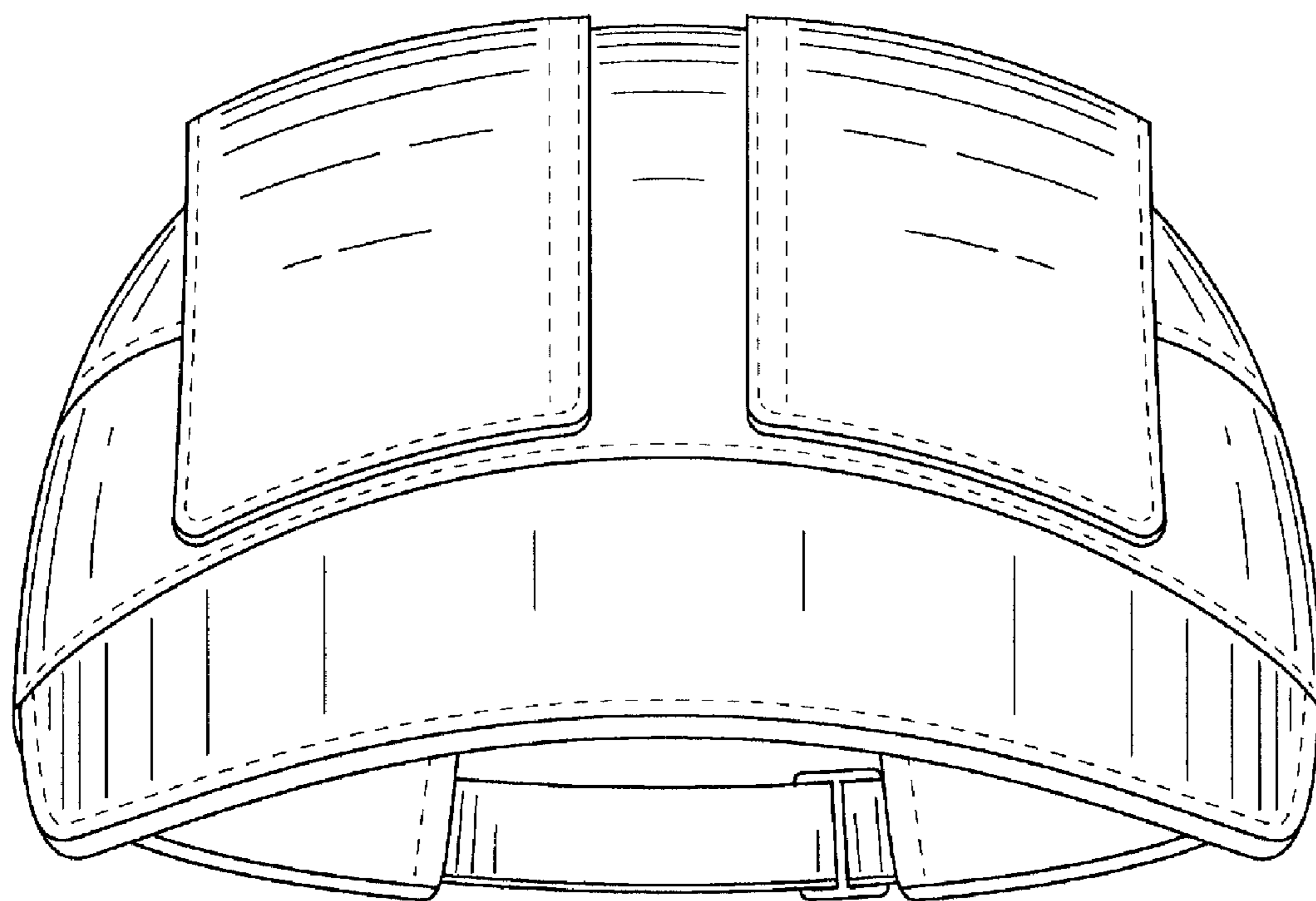


FIG. 6

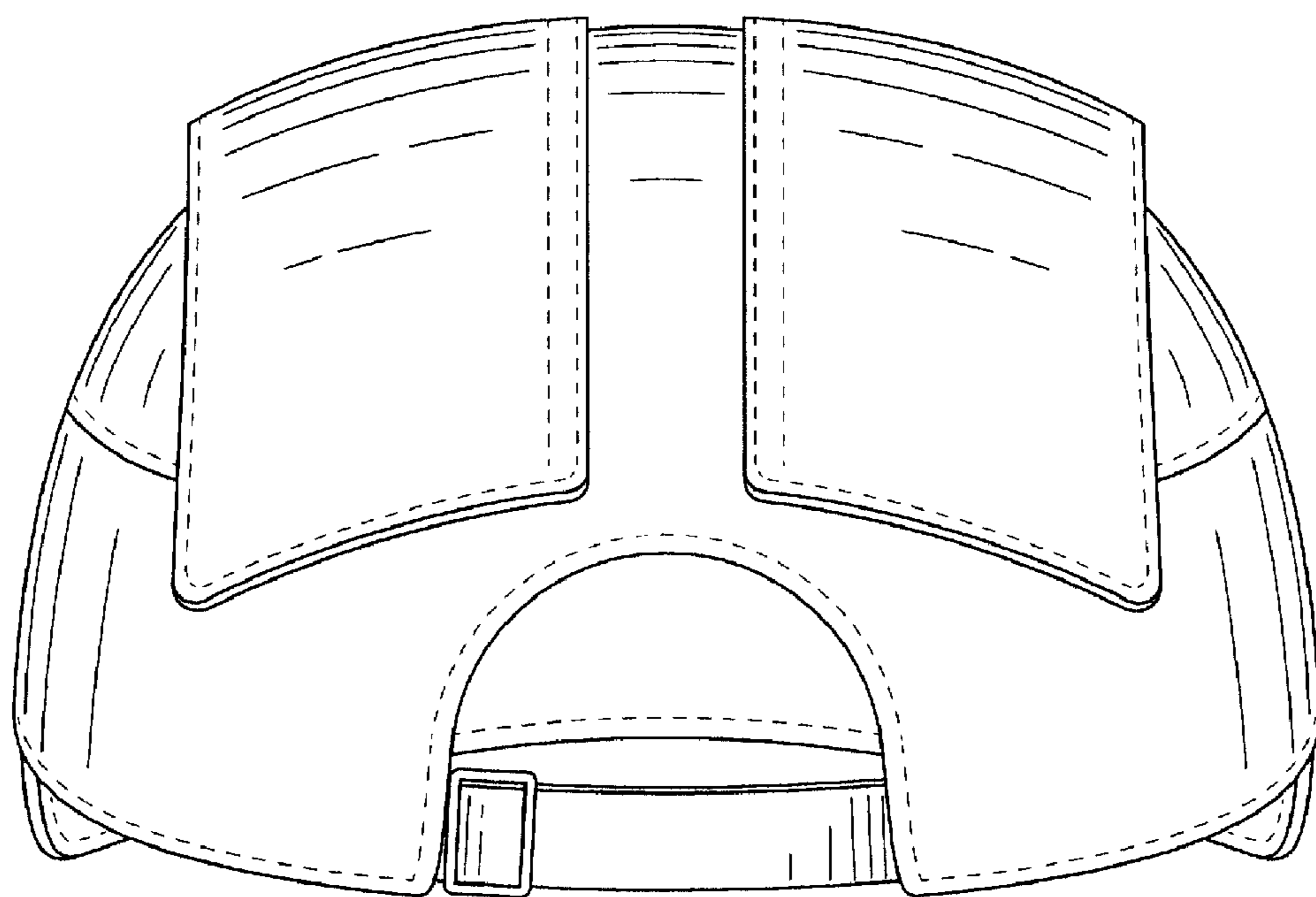


FIG. 7