



US00D617533S

(12) **United States Design Patent**  
**Douglas et al.**

(10) **Patent No.:** **US D617,533 S**  
(45) **Date of Patent:** **\*\* Jun. 15, 2010**

(54) **HOODED TOWEL**

(76) Inventors: **Regina Michelle Douglas**, 3212  
Cannock La., Columbus, OH (US)  
43219; **Stephan Douglas, Jr.**, 3212  
Cannock La., Columbus, OH (US)  
43219; **Simone Douglas**, 3212 Cannock  
La., Columbus, OH (US) 43219

D414,645 S \* 10/1999 Cooper ..... D6/608  
D428,751 S \* 8/2000 Edwards et al. .... D6/608  
D429,059 S \* 8/2000 Simmons ..... D2/825  
6,156,410 A 12/2000 Bassler  
D456,661 S 5/2002 Henegan  
D495,550 S \* 9/2004 Weeks ..... D6/608  
D583,129 S \* 12/2008 Mowbray ..... D2/823  
D591,548 S \* 5/2009 LaFratta ..... D6/608  
D596,439 S \* 7/2009 Hall ..... D6/608

(\*\*) Term: **14 Years**

(21) Appl. No.: **29/322,198**

(22) Filed: **Jul. 30, 2008**

(51) **LOC (9) Cl.** ..... **02-02**

(52) **U.S. Cl.** ..... **D2/825; D2/878; D6/608**

(58) **Field of Classification Search** ..... D6/596-603,  
D6/608, 609, 588; 5/485, 489-491, 494,  
5/495, 497, 499-502, 417-420, 907; D2/500;  
15/208, 209.1; 2/69, 69.2, 69.5, 842  
See application file for complete search history.

(56) **References Cited**

**U.S. PATENT DOCUMENTS**

D28,439 S \* 3/1898 Lockwood ..... D2/860  
3,034,132 A \* 5/1962 Landsberger et al. .... 2/69.5  
D275,827 S 10/1984 Henry  
D355,068 S \* 2/1995 Prendergast ..... D2/719  
5,797,144 A \* 8/1998 Ciccone ..... 2/144  
D408,966 S 5/1999 Lawrence  
D410,382 S 6/1999 Therriault

\* cited by examiner

*Primary Examiner*—Janice E Seeger

*Assistant Examiner*—Zenia I Bennett

(74) *Attorney, Agent, or Firm*—Standley Law Group LLP

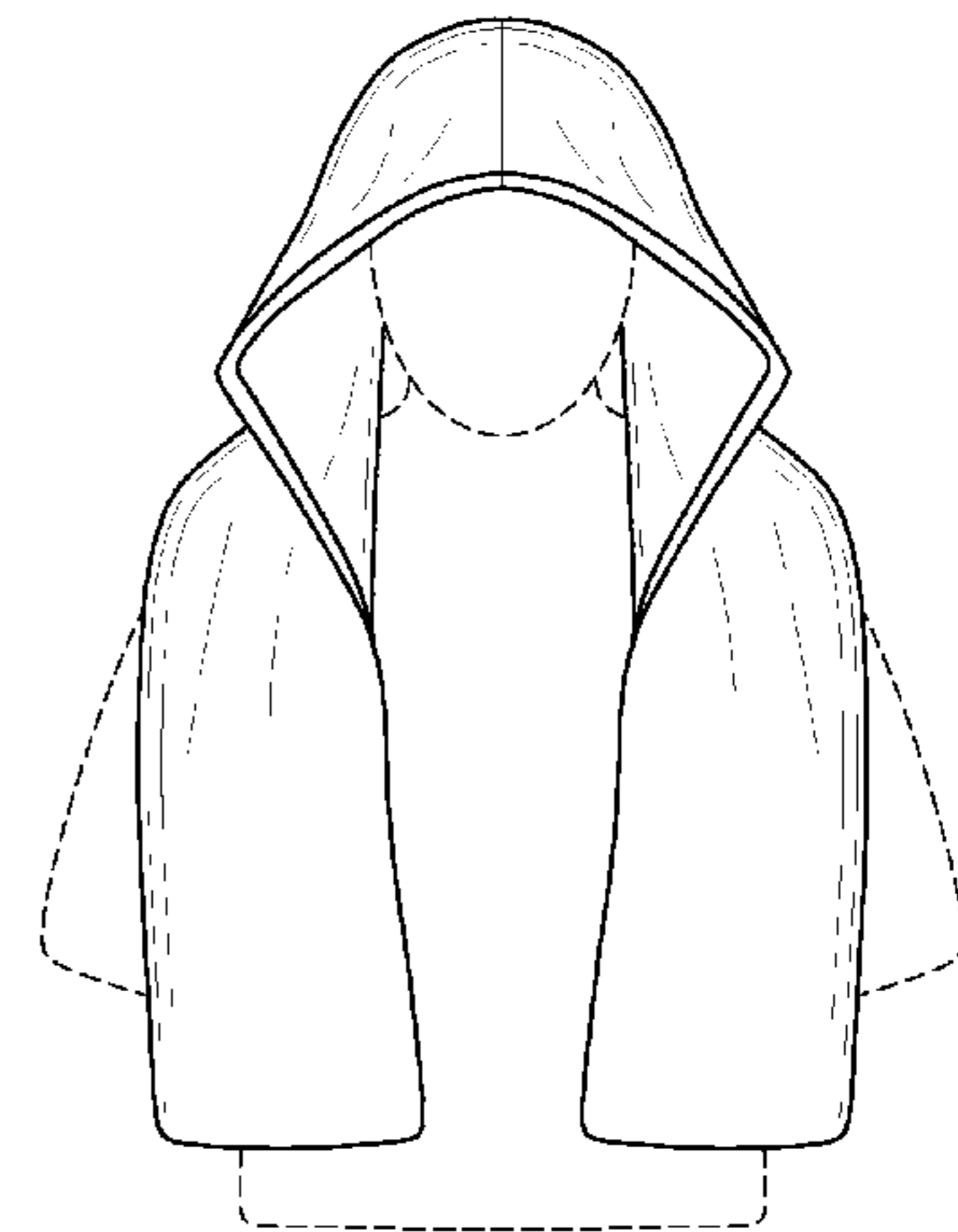
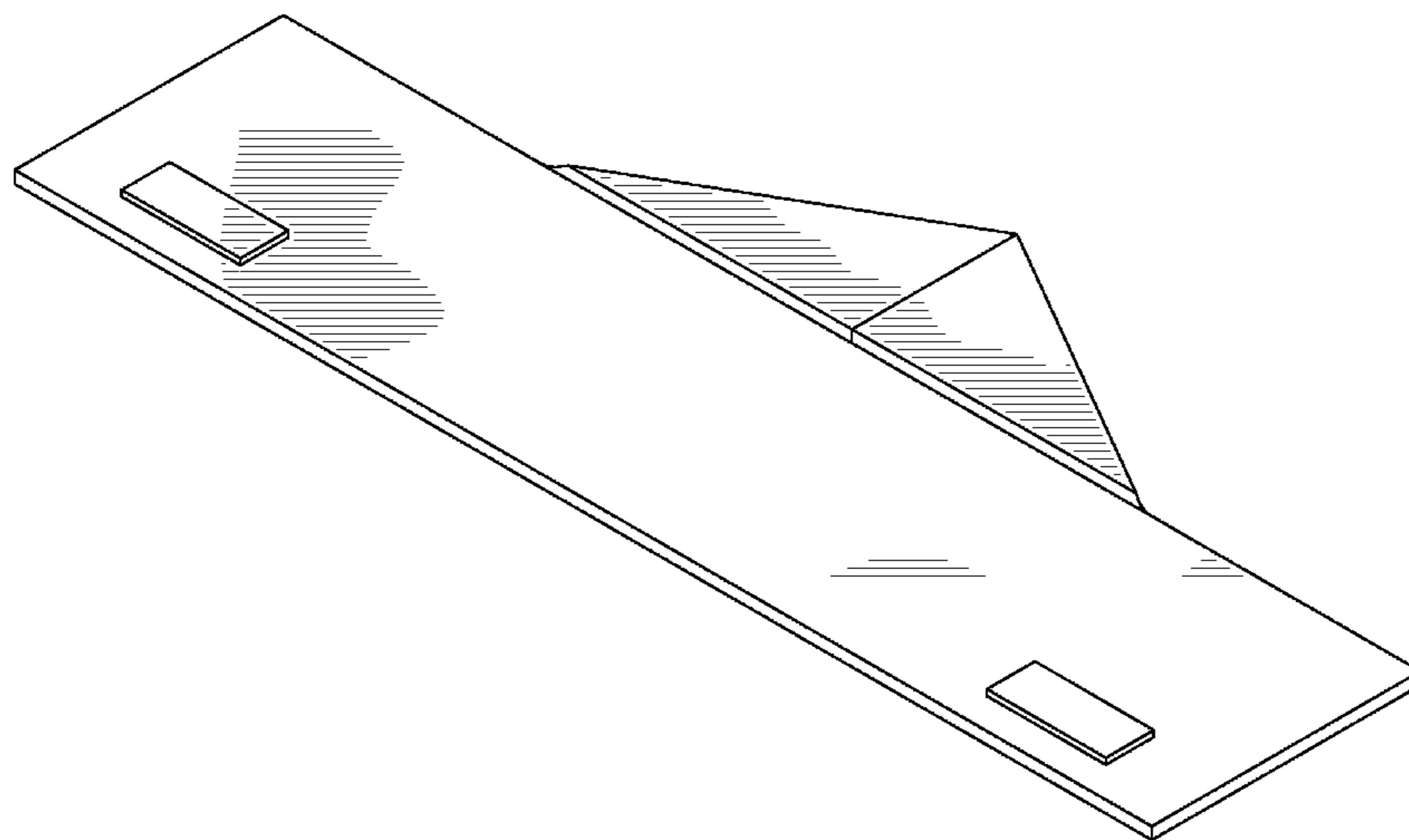
(57) **CLAIM**

The ornamental design for hooded towel, as shown and described.

**DESCRIPTION**

FIG. 1 is a left perspective view of the hooded towel;  
FIG. 2 is a top plan view of the FIG. 1 embodiment;  
FIG. 3 is a bottom plan view of the FIG. 1 embodiment;  
FIG. 4 is a front view showing the embodiment in use;  
FIG. 5 is a side view showing the embodiment in use; and,  
FIG. 6 is a rear view showing the embodiment in use.  
The broken lines in the drawing are for illustrative purposes only and form no part of the claimed design.

**1 Claim, 3 Drawing Sheets**



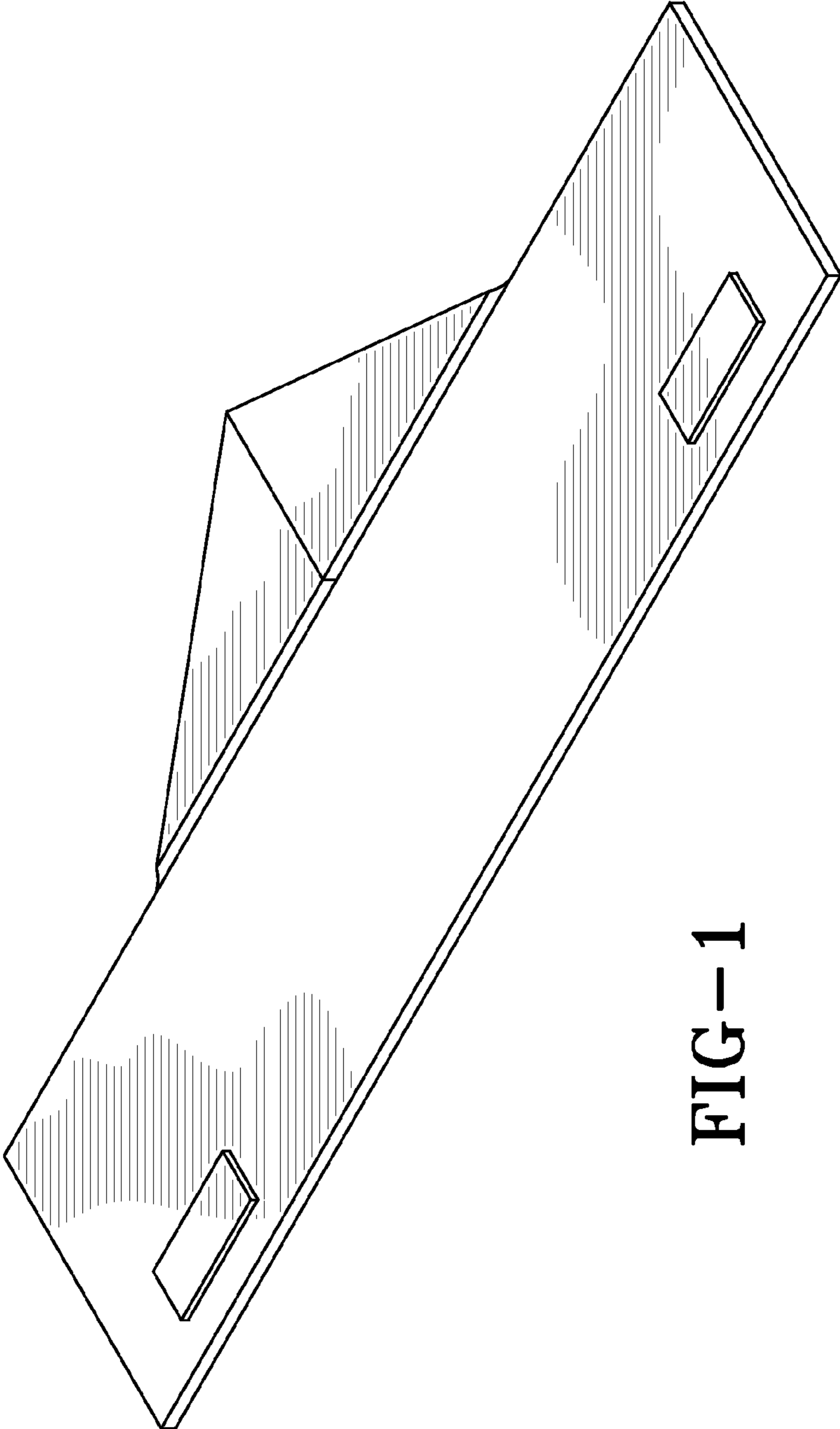


FIG-1

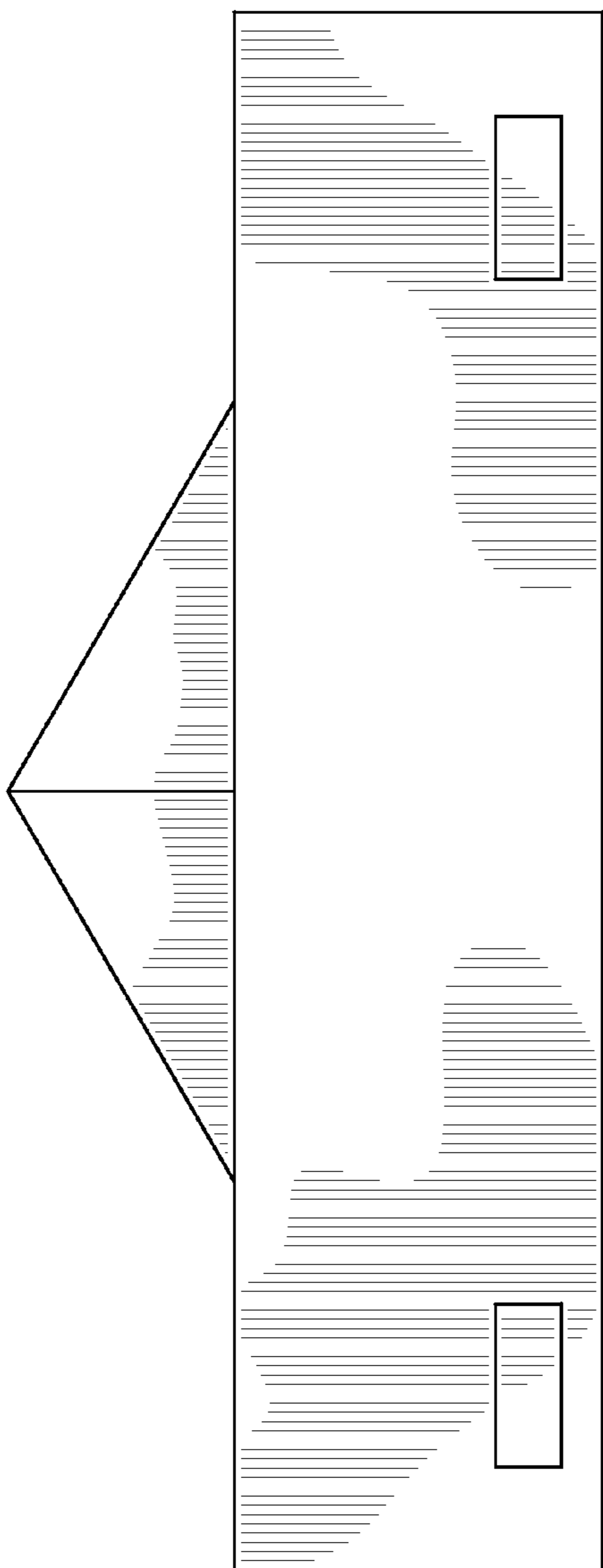


FIG-2

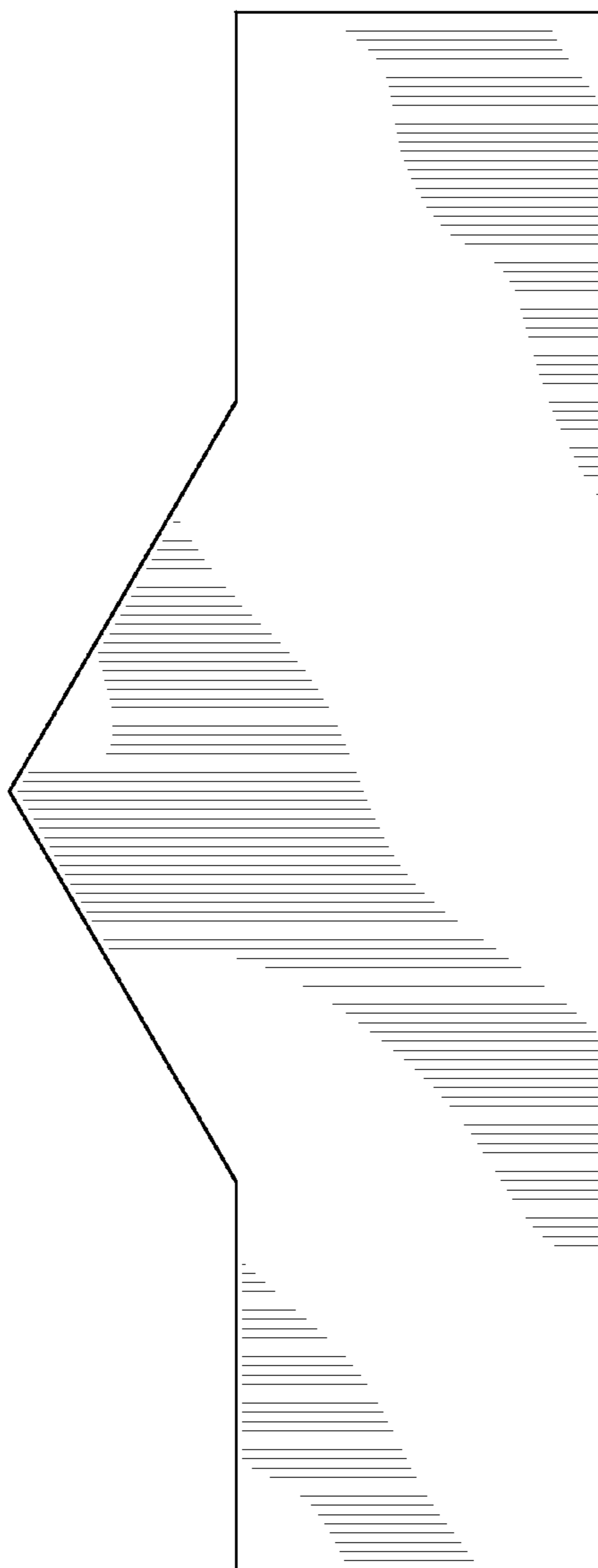


FIG-3

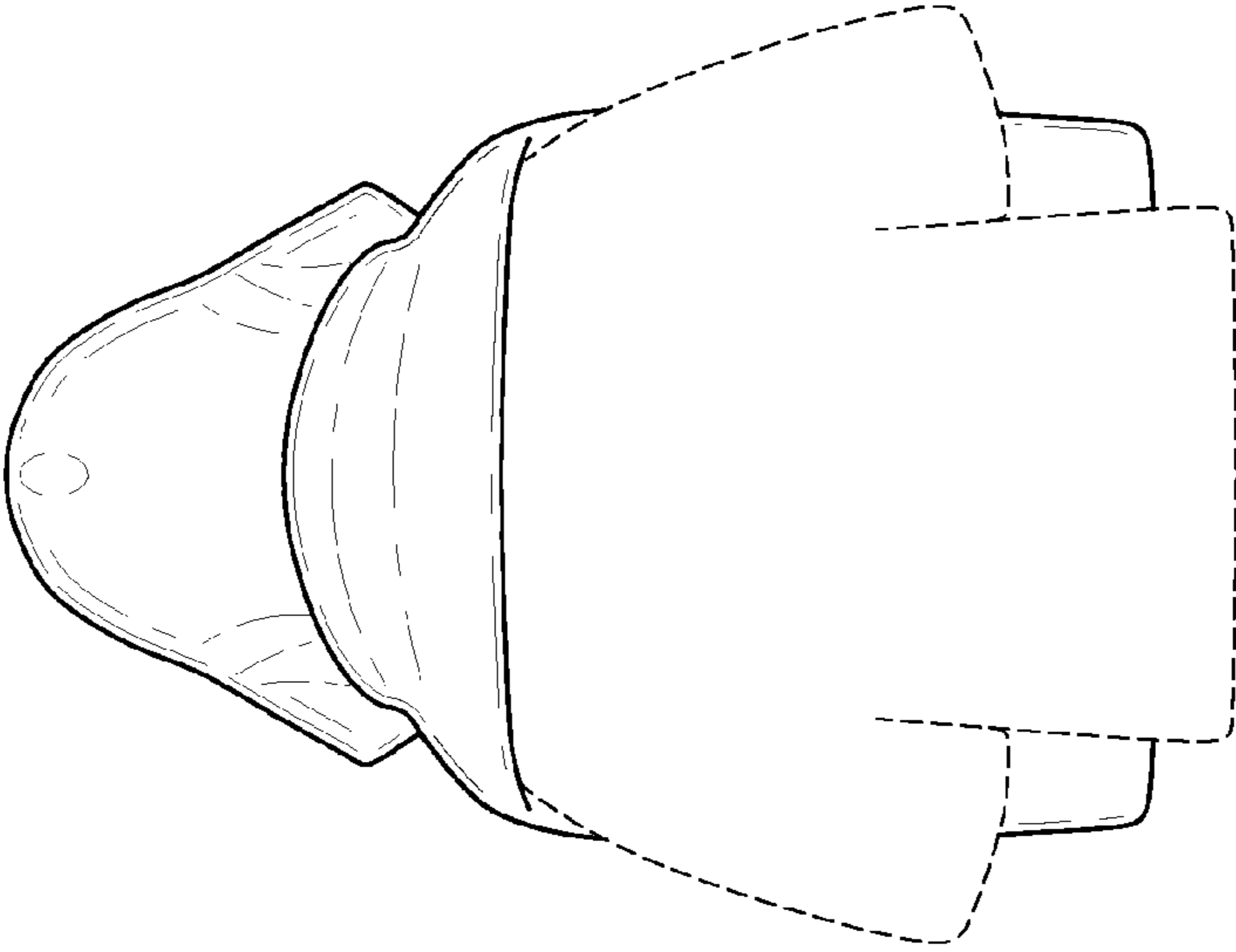


FIG-6

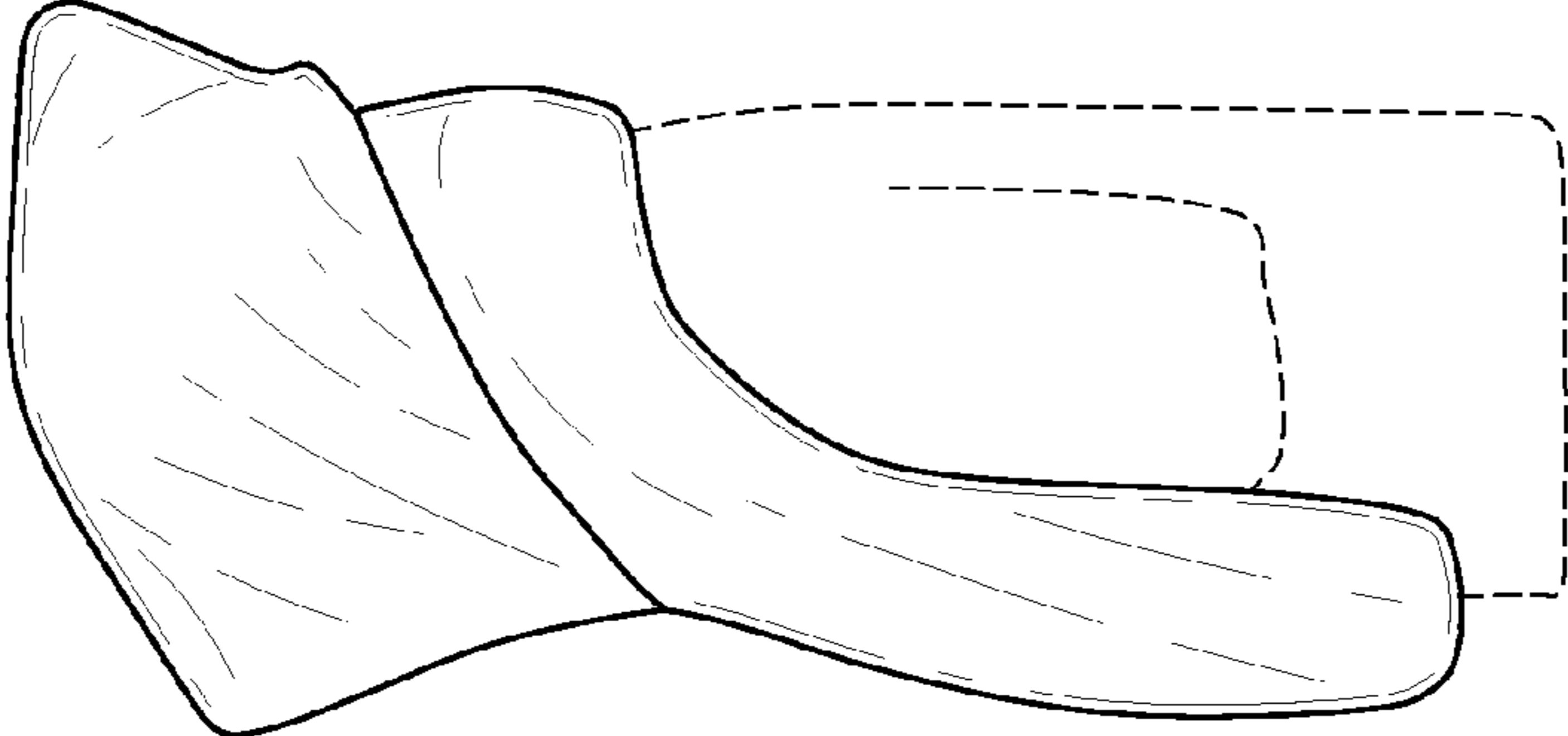


FIG-5

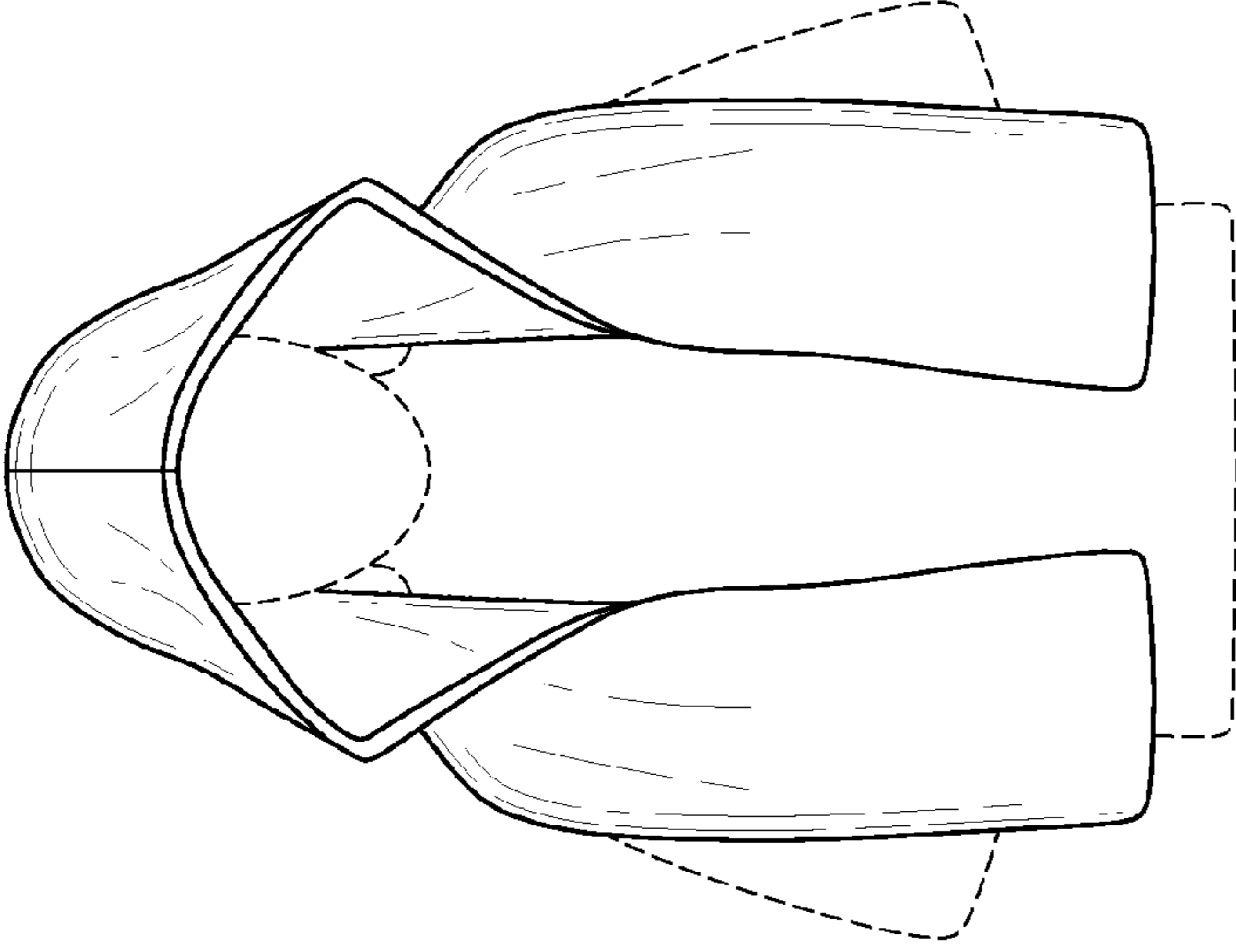


FIG-4