



US00D617525S

(12) **United States Design Patent**
Taylor et al.

(10) **Patent No.:** **US D617,525 S**
(45) **Date of Patent:** **** Jun. 8, 2010**

(54) **GUN SAFE**

(75) Inventors: **Charles William Taylor**, Mena, AR
(US); **Leonard Douglas Lujan**,
Carthage, MO (US)

(73) Assignee: **Gun B Safe LLC**, Carthage, MO (US)

(**) Term: **14 Years**

(21) Appl. No.: **29/344,428**

(22) Filed: **Sep. 29, 2009**

(51) **LOC (9) Cl.** **06-04**

(52) **U.S. Cl.** **D99/28**

(58) **Field of Classification Search** D99/28,
D99/35, 43, 99; D18/3.1, 3.3, 12.1; D20/1,
D20/2; D14/125, 129–130, 308, 387, 900;
D25/7, 10, 16; D21/109, 329, 369, 370;
109/2, 7, 9, 24.1, 25, 28, 38–39, 45, 47–50,
109/54, 59 T, 66, 70; 235/379; 220/258.2,
220/258.5, 729; D6/397, 450, 457, 470,
D6/510; D3/272–273, 294; 70/63; 340/568.1,
340/570

See application file for complete search history.

(56) **References Cited**

U.S. PATENT DOCUMENTS

4,669,394 A * 6/1987 Fogleman et al. 109/59 T
5,111,755 A * 5/1992 Rouse 109/25
D338,766 S * 8/1993 Matheu D99/37
5,416,826 A * 5/1995 Butler 379/40

5,841,361 A * 11/1998 Hoffman 340/5.54
5,901,589 A * 5/1999 Cordero 70/63
6,318,134 B1 * 11/2001 Mossberg et al. 70/63
6,405,861 B1 * 6/2002 Siler et al. 206/317
6,843,081 B1 * 1/2005 Painter 70/63
D512,898 S * 12/2005 Metivier et al. D8/330
7,178,370 B2 * 2/2007 Engel 70/63
7,434,427 B1 * 10/2008 Miresmaili 70/63
2005/0194872 A1 * 9/2005 Cleveland et al. 312/290

* cited by examiner

Primary Examiner—Philip S Hyder

Assistant Examiner—Susan E Krakower

(74) *Attorney, Agent, or Firm*—Martin & Associates, LLC;
Derek P. Martin

(57) **CLAIM**

The ornamental design for a gun safe, as shown and described.

DESCRIPTION

FIG. 1 is a front perspective view of a gun safe showing our new design;

FIG. 2 is a front view thereof;

FIG. 3 is a right side view thereof;

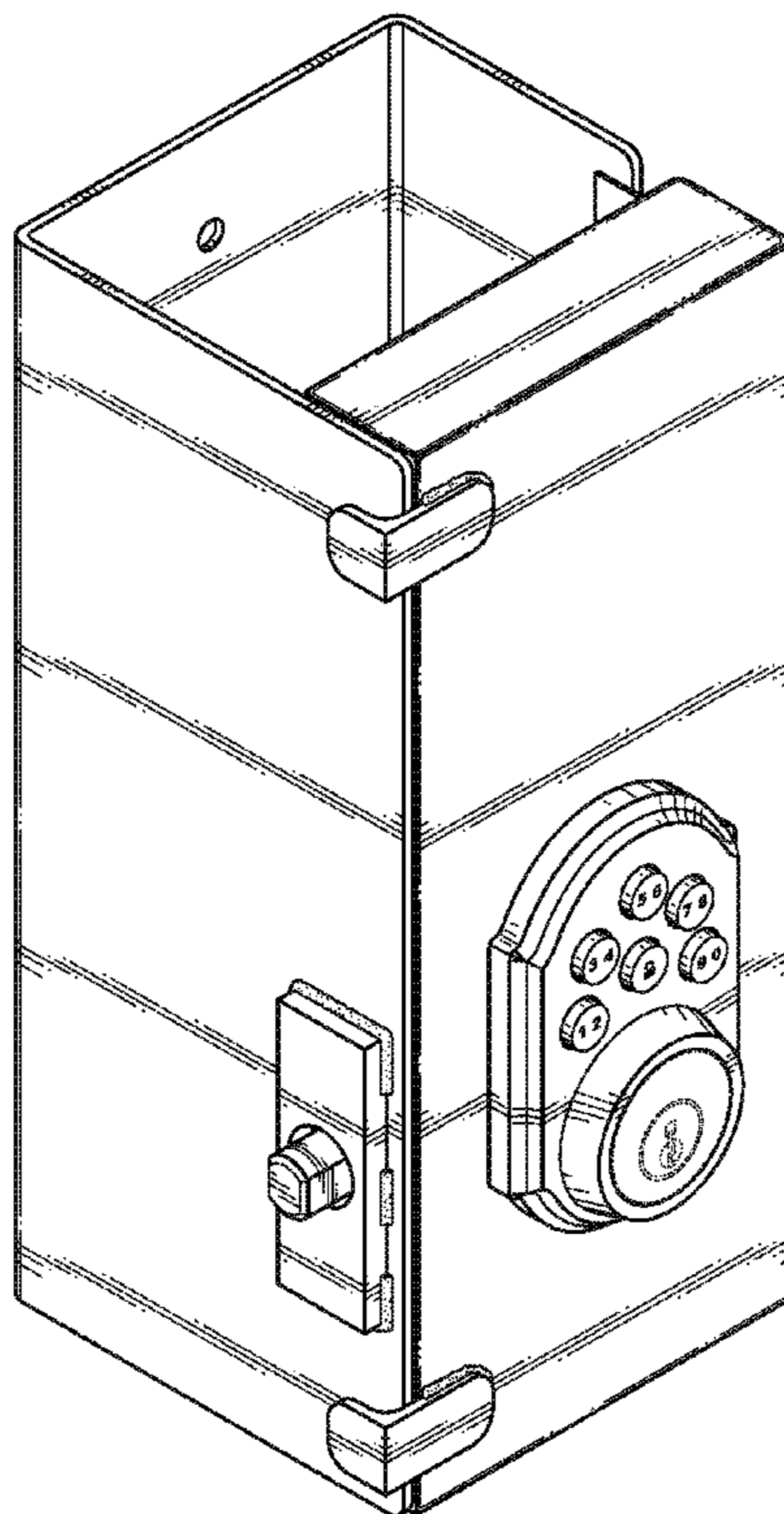
FIG. 4 is a left side view thereof;

FIG. 5 is a back view thereof;

FIG. 6 is a top view thereof; and,

FIG. 7 is a bottom view thereof.

1 Claim, 4 Drawing Sheets



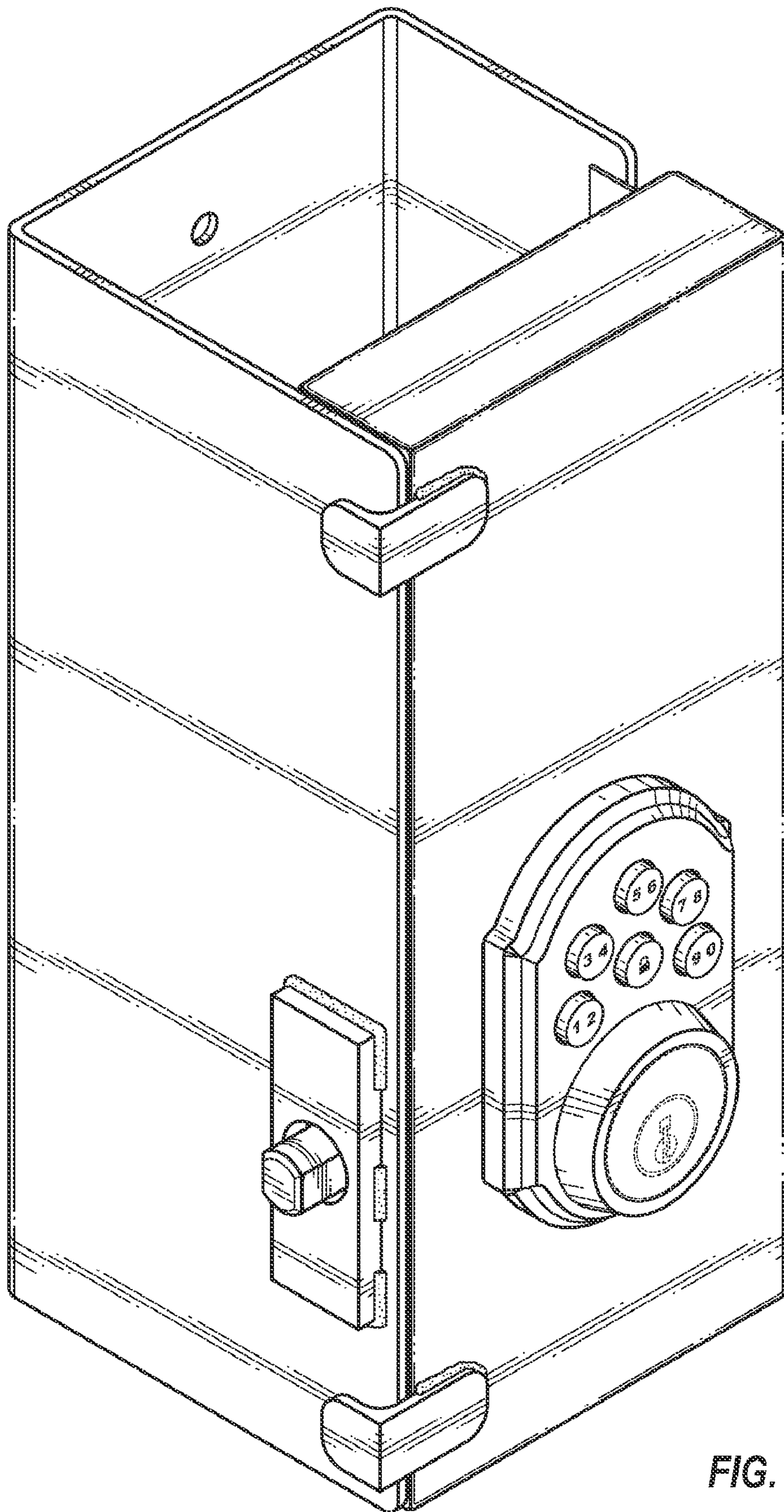


FIG. 1

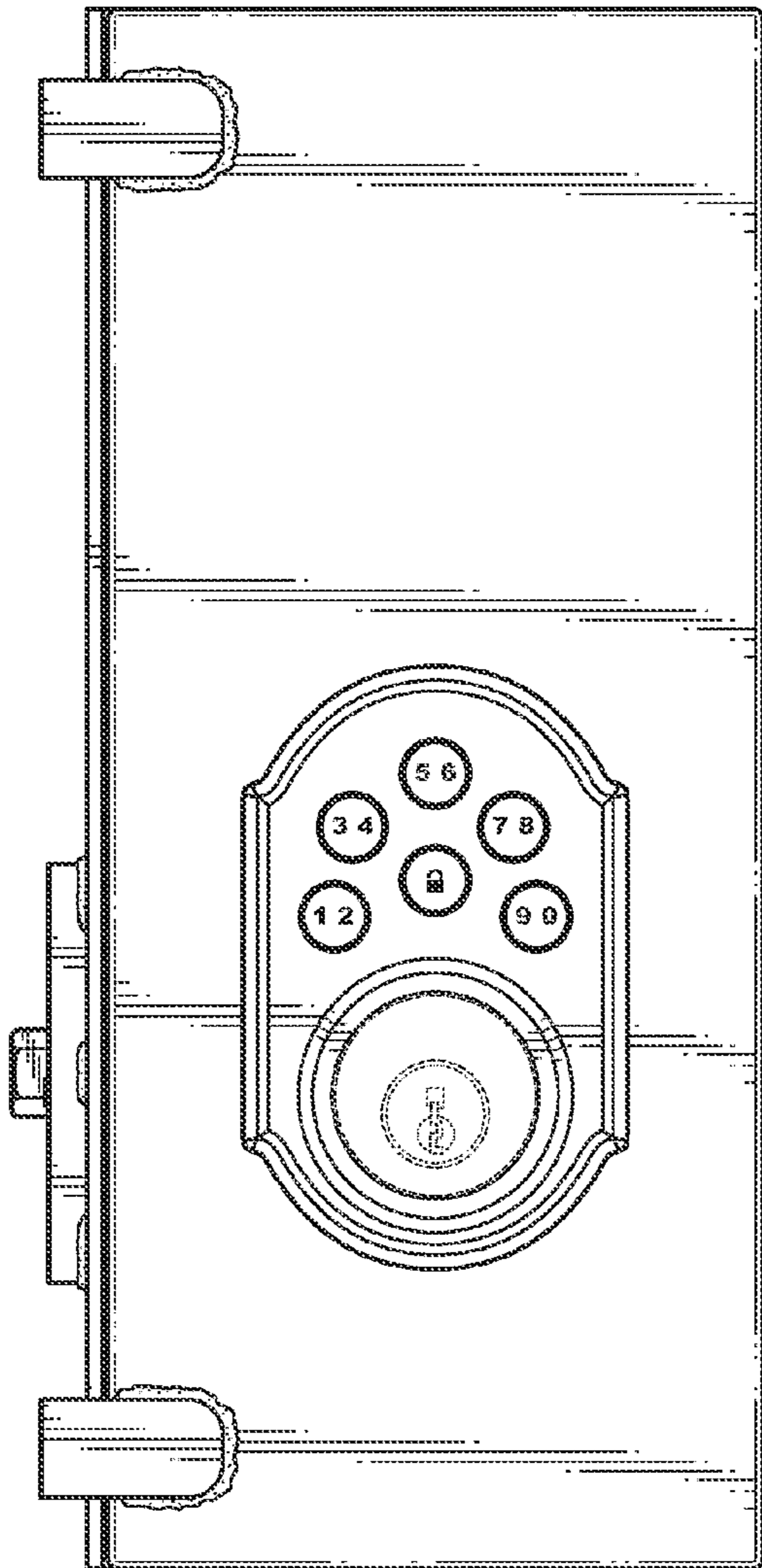


FIG. 2

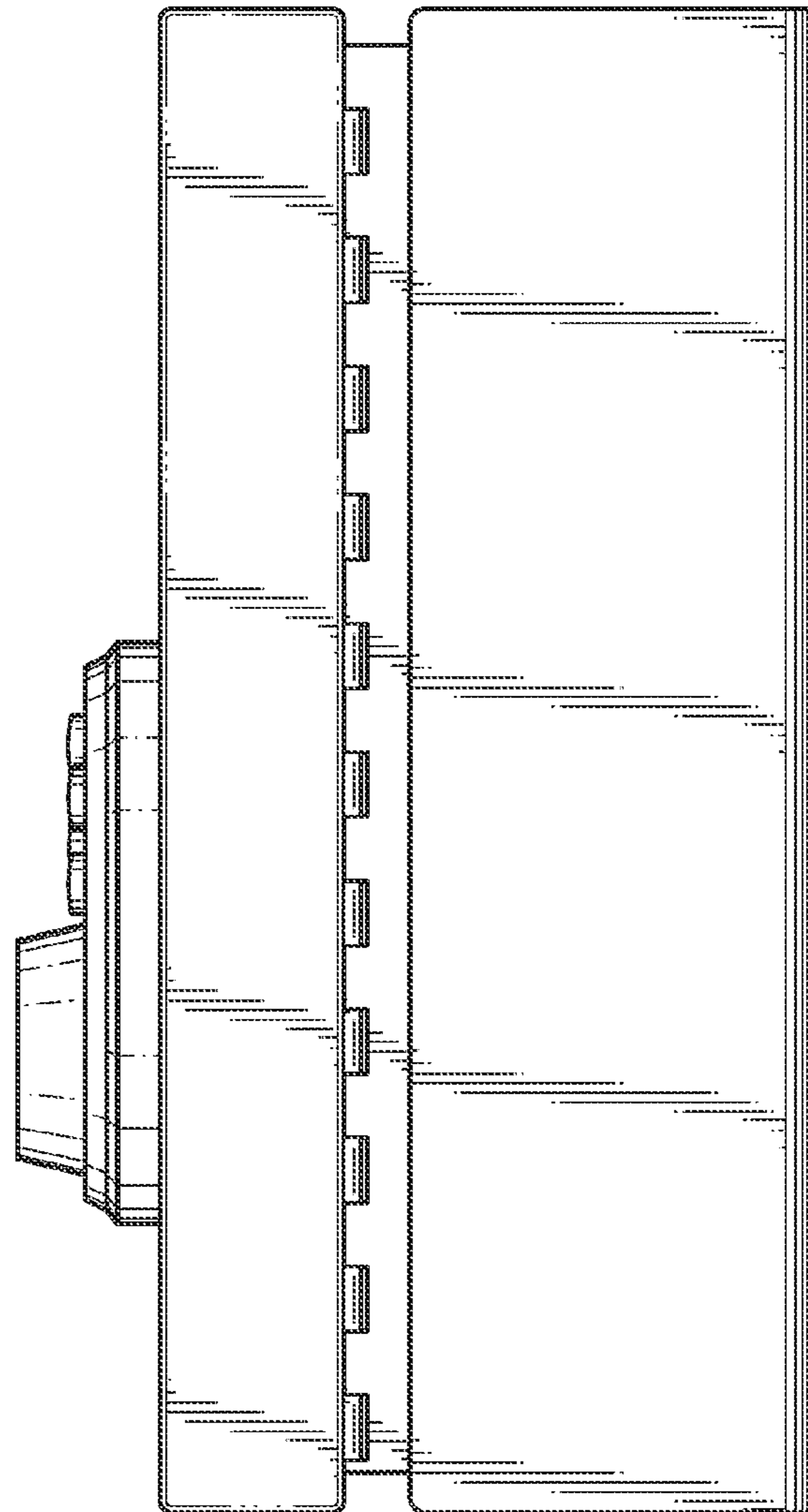


FIG. 3

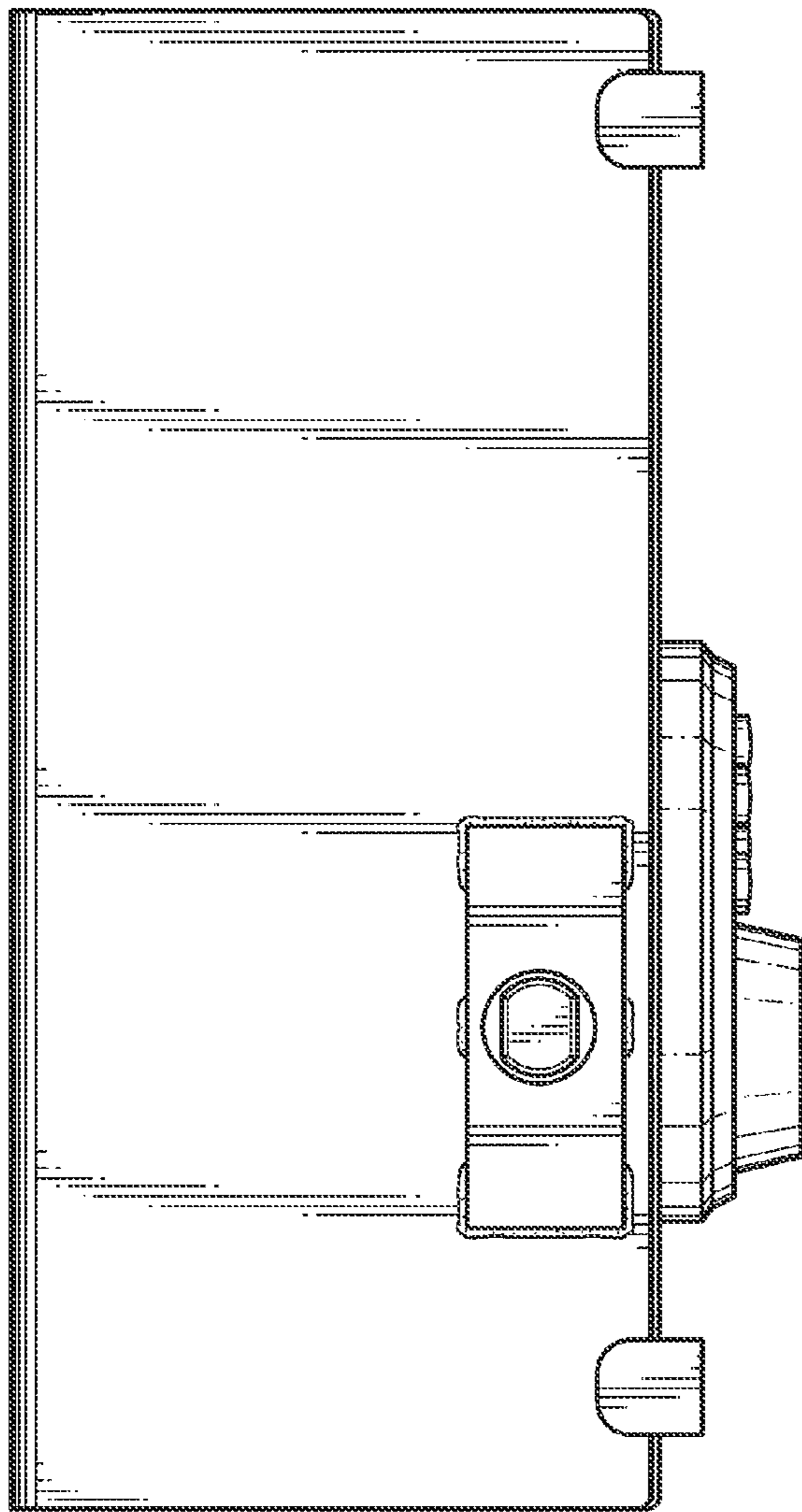


FIG. 4

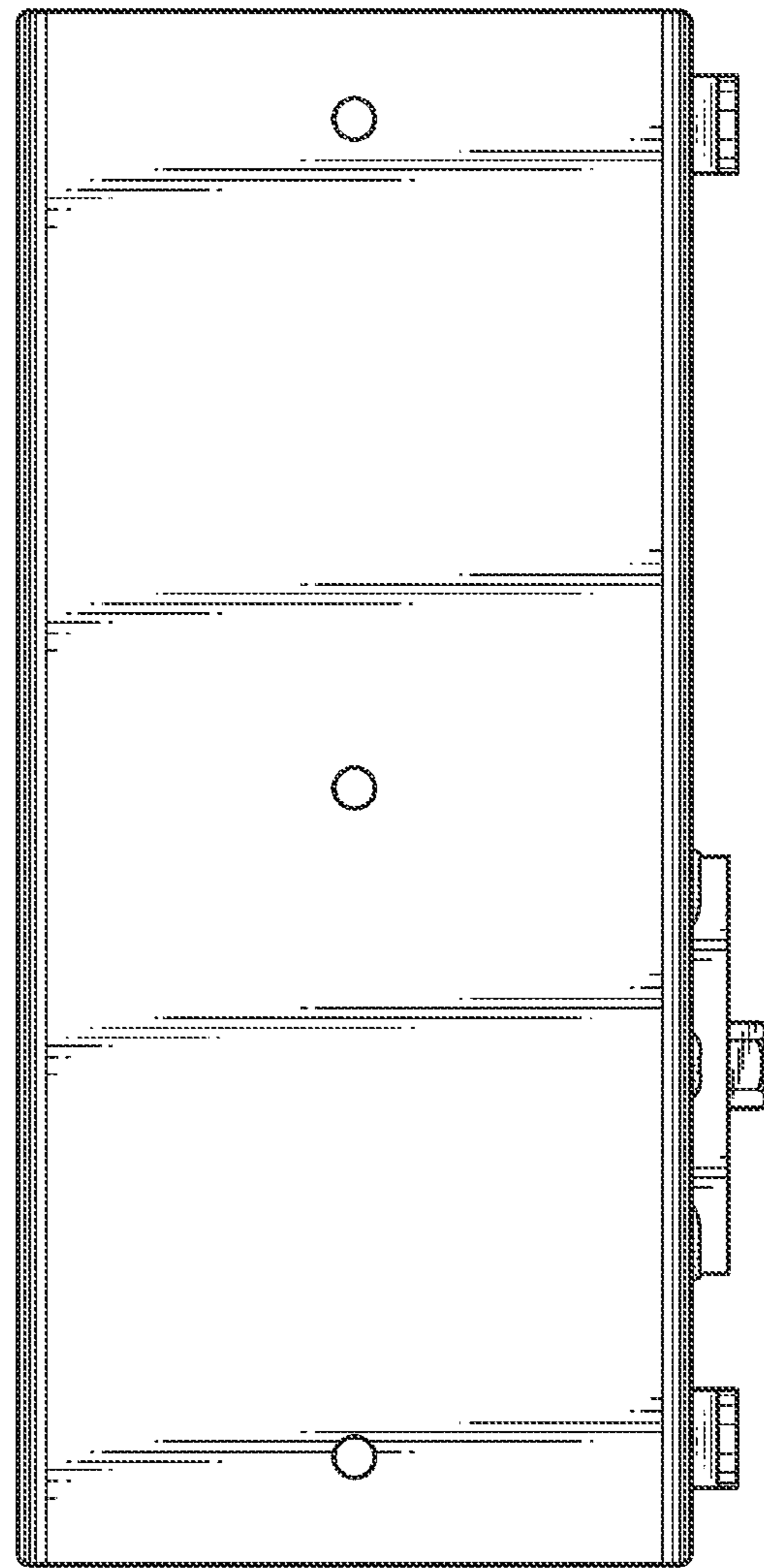


FIG. 5

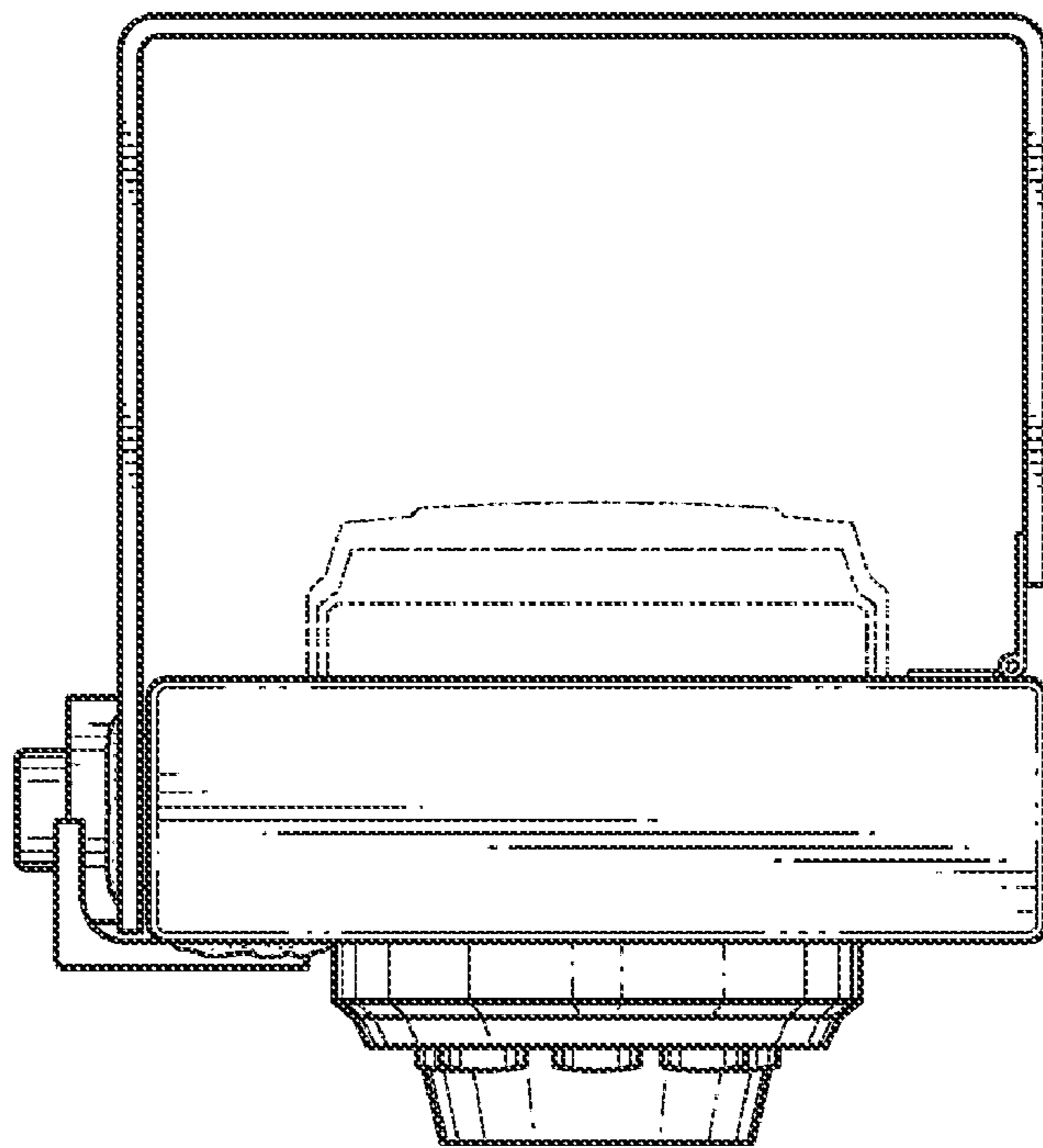


FIG. 6

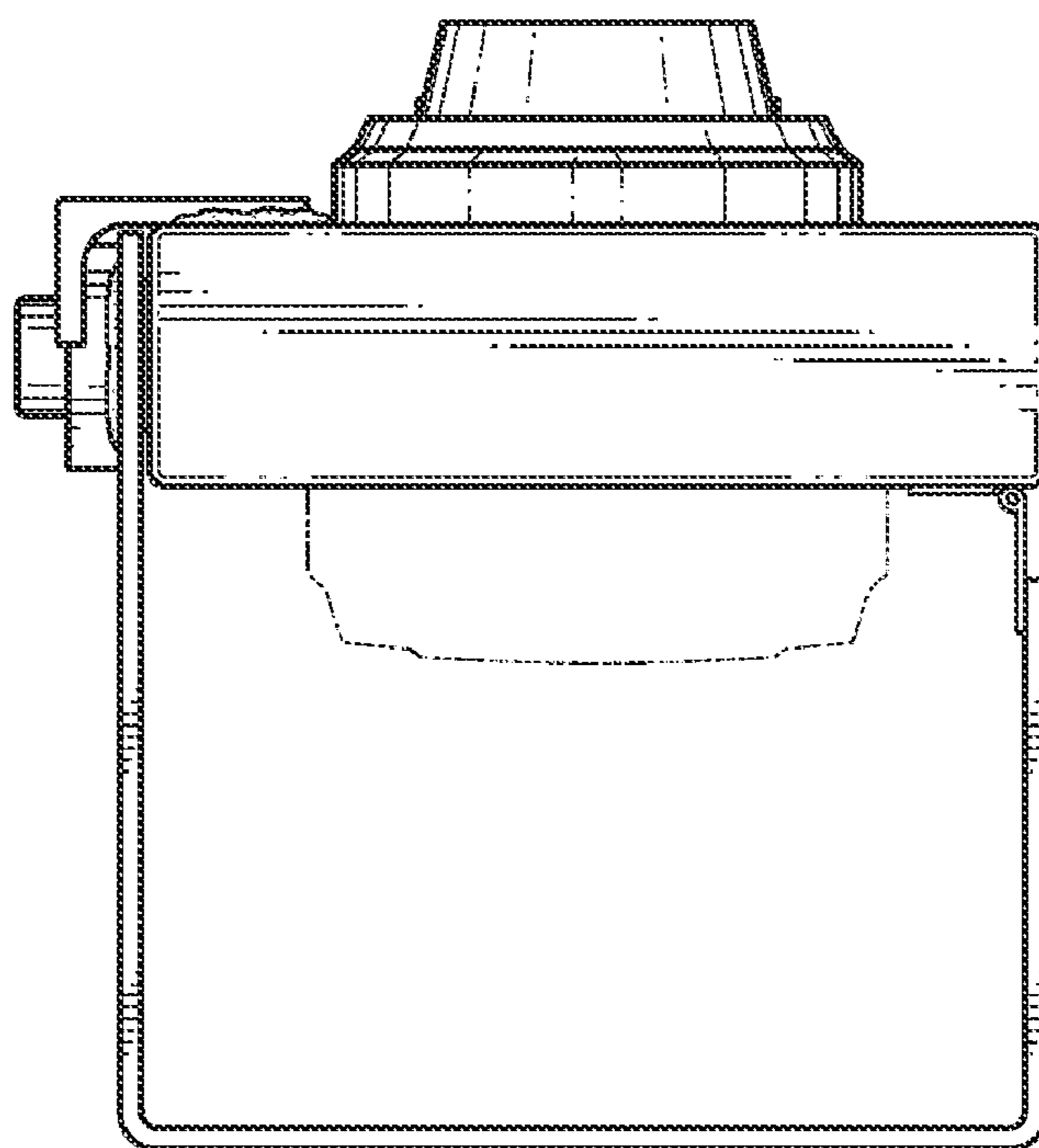


FIG. 7