



US00D617522S

(12) **United States Design Patent**
Teien

(10) **Patent No.:** **US D617,522 S**
(45) **Date of Patent:** **** Jun. 8, 2010**

(54) **CARGO PALLET**

(75) Inventor: **Nils Martin Teien**, Toensberg (NO)

(73) Assignee: **Nordisk Aviation Products a.s.** (NO)

(**) Term: **14 Years**

(21) Appl. No.: **29/324,858**

(22) Filed: **Sep. 22, 2008**

(51) **LOC (9) Cl.** **09-08**

(52) **U.S. Cl.** **D34/38**

(58) **Field of Classification Search** D34/38;
108/51.11, 53.1, 51.3, 53.3, 56.1, 57.1, 55.3;
D7/550.1, 553.3

See application file for complete search history.

(56) **References Cited**

U.S. PATENT DOCUMENTS

3,327,654	A *	6/1967	Duncan et al.	108/53.1
3,857,342	A *	12/1974	Johns	108/53.3
D349,798	S *	8/1994	Hude et al.	D34/28
5,473,995	A *	12/1995	Gottlieb	108/51.3
D379,716	S *	6/1997	Zipperle et al.	D3/304
D422,768	S *	4/2000	Gunn	D34/38
D452,057	S *	12/2001	French et al.	D34/38
D453,871	S *	2/2002	Perry	D34/38

* cited by examiner

Primary Examiner—Cynthia E Ramirez

(74) *Attorney, Agent, or Firm*—Baker & Hostetler LLP

(57) **CLAIM**

The ornamental design for a cargo pallet, as shown and described.

DESCRIPTION

FIG. 1 is a front perspective view of a cargo pallet according to the first preferred embodiment of the invention;

FIG. 2 is a top view thereof;

FIG. 3 is a front view thereof;

FIG. 4 is a side view thereof;

FIG. 5 is a bottom view thereof;

FIG. 6 is a detail perspective view of a corner of the cargo pallet thereof;

FIG. 7 is a cross-sectional view taken along line 7—7 in FIG. 2;

FIG. 8 is a front perspective view of a cargo pallet according to the second preferred embodiment of the invention;

FIG. 9 is a top view thereof;

FIG. 10 is a front view thereof;

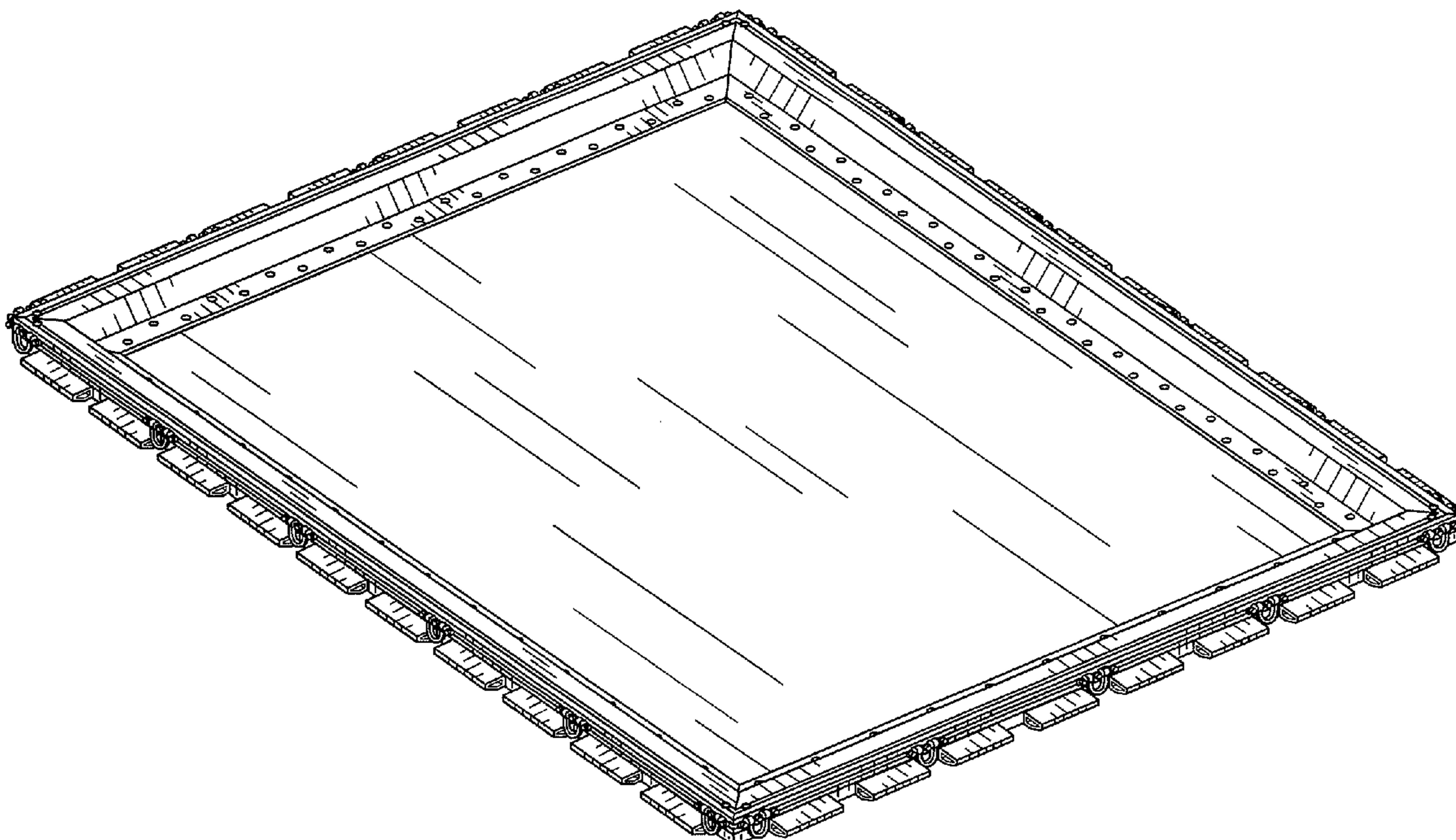
FIG. 11 is a side view thereof;

FIG. 12 is a bottom view thereof;

FIG. 13 is a detail perspective view of a corner of the cargo pallet thereof; and,

FIG. 14 is a cross-sectional view taken along line 14—14 in FIG. 9.

1 Claim, 8 Drawing Sheets



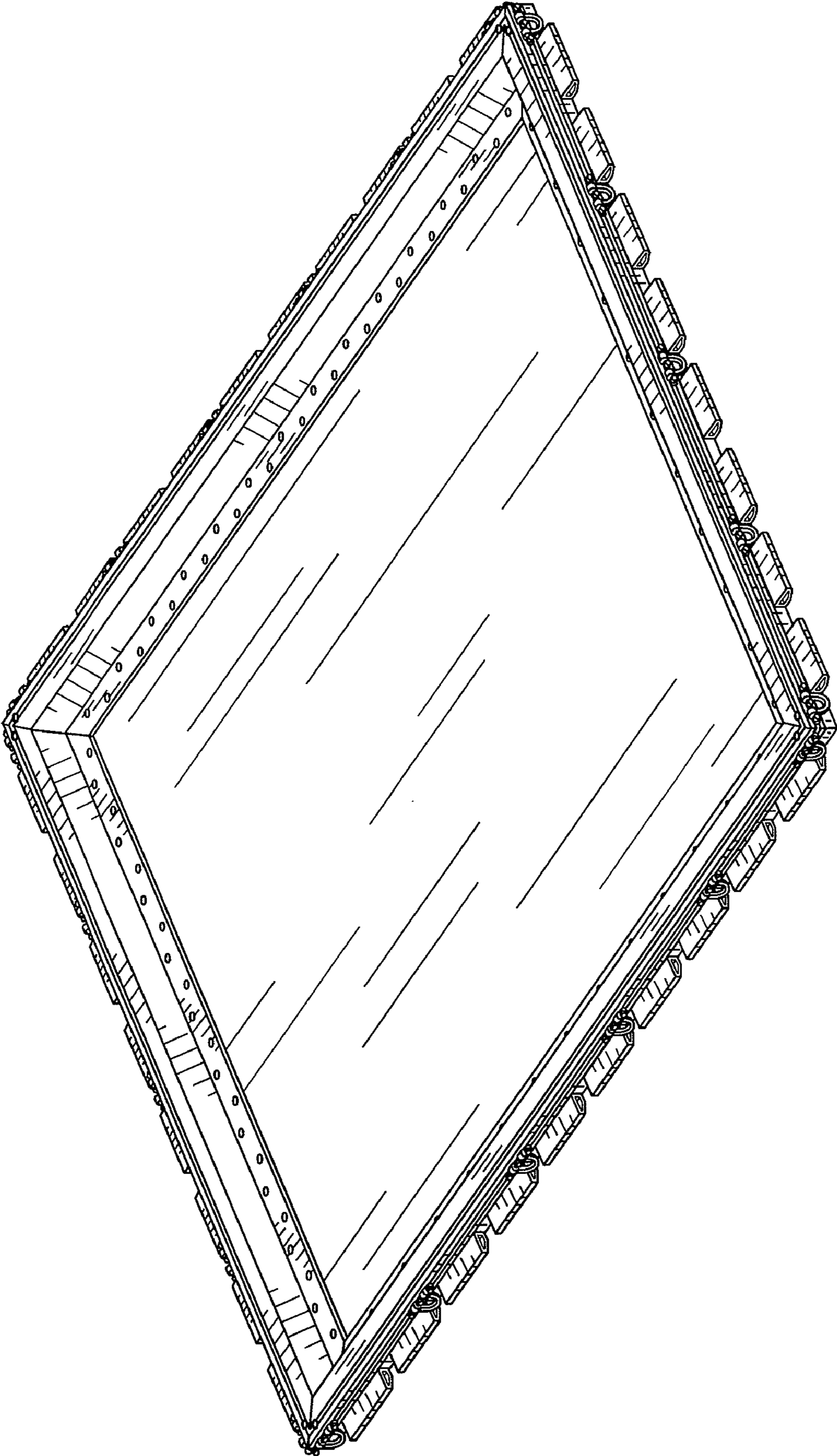


FIG. 1



FIG. 3

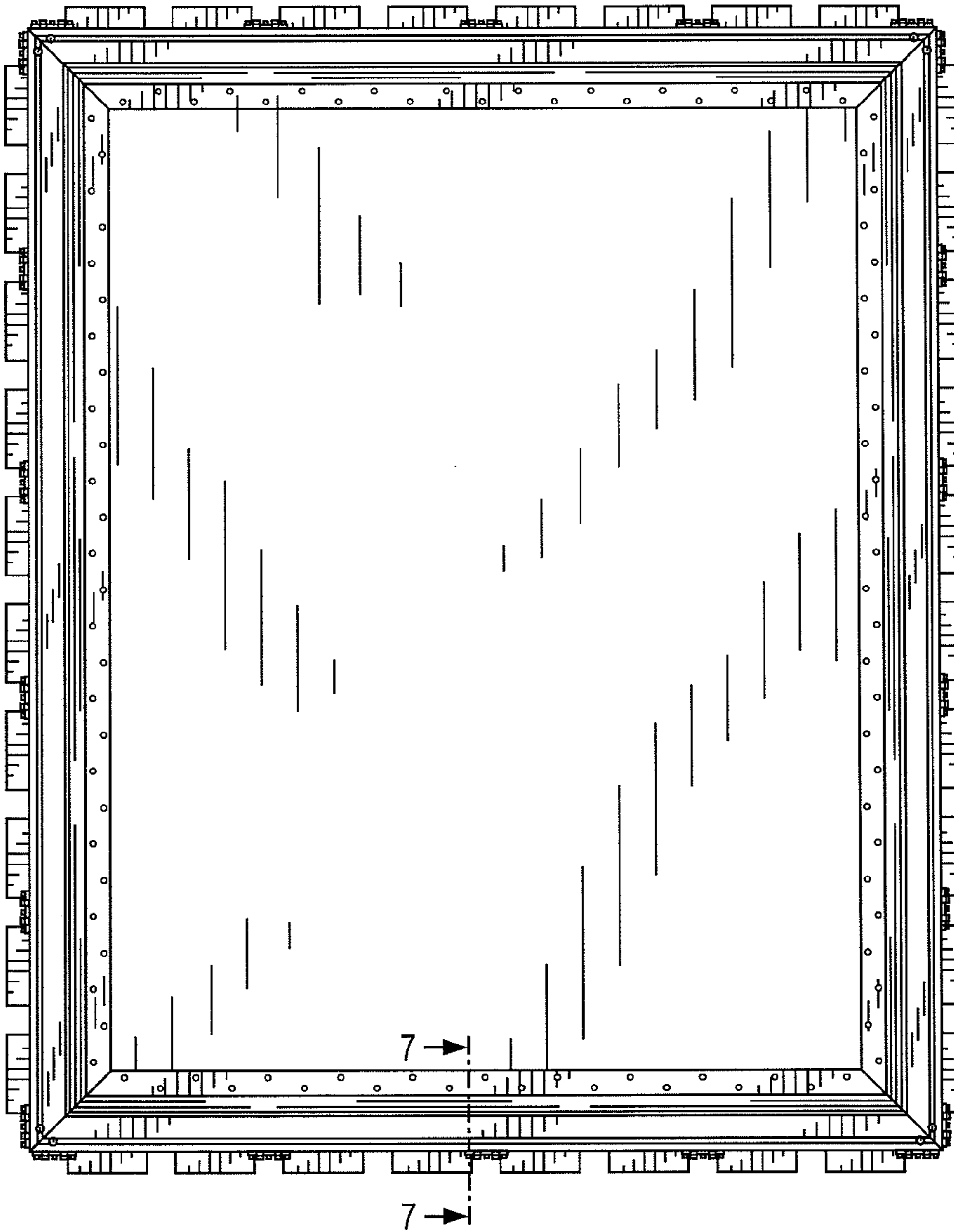


FIG. 2



FIG. 4

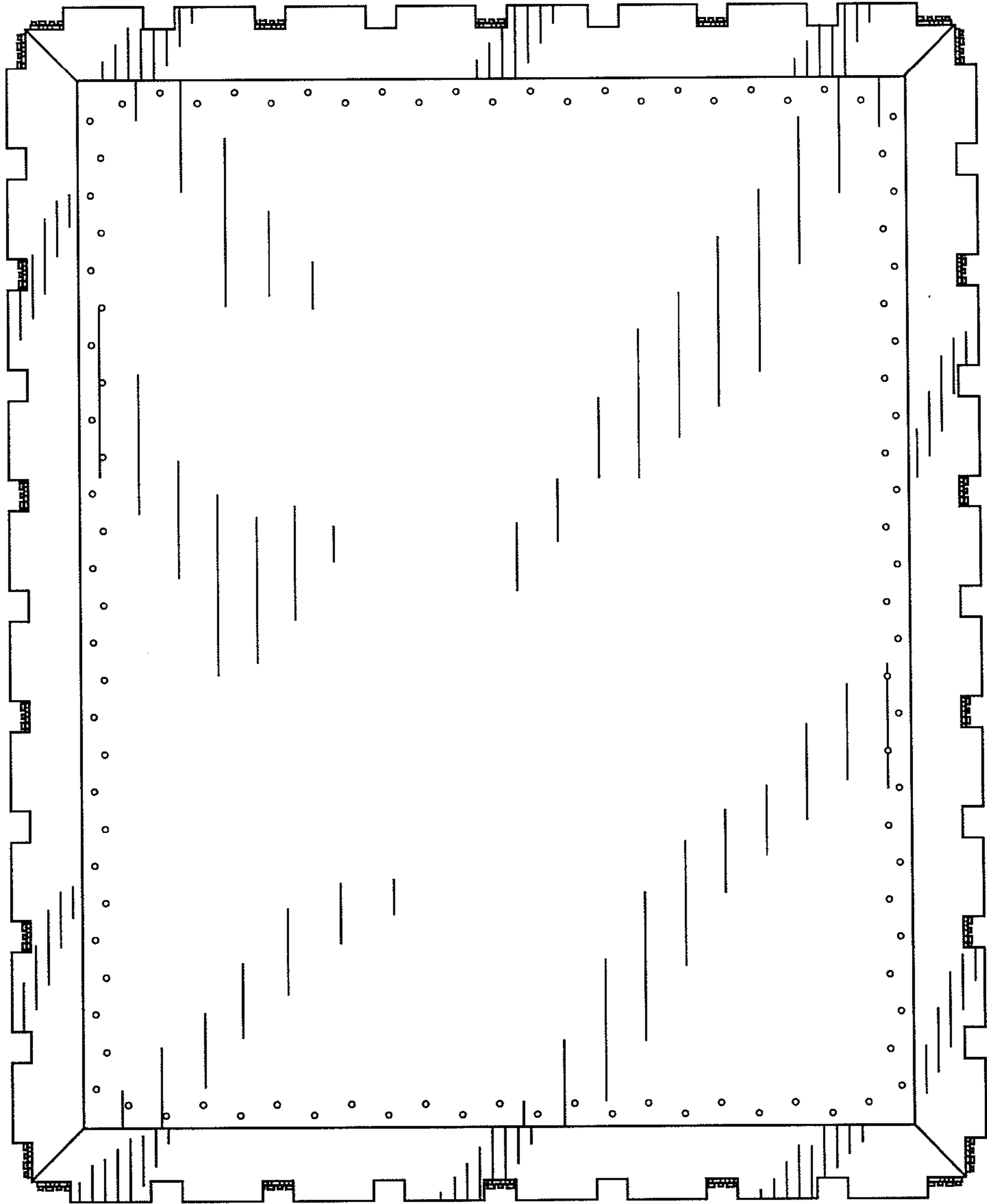


FIG. 5

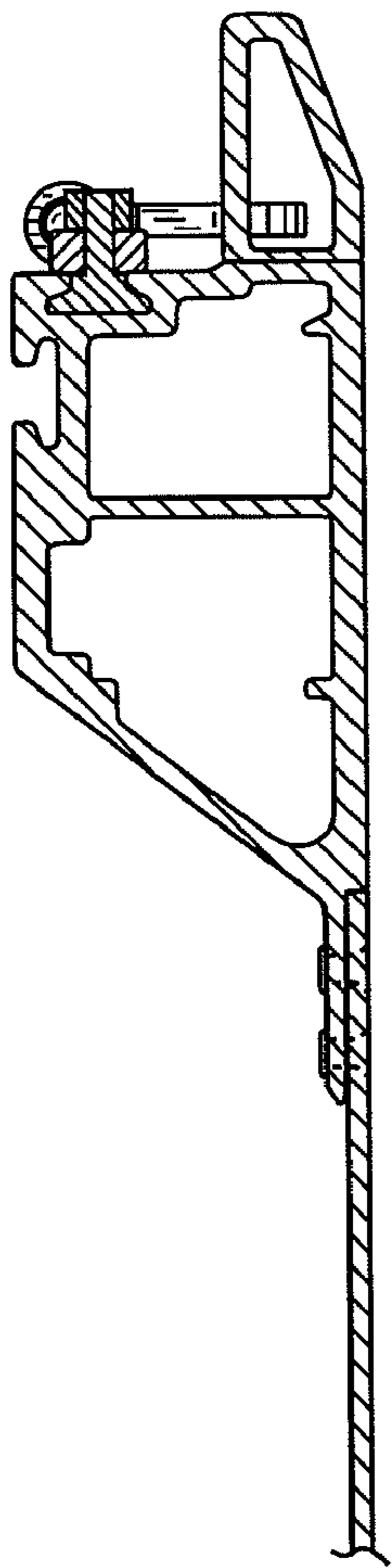


FIG. 7

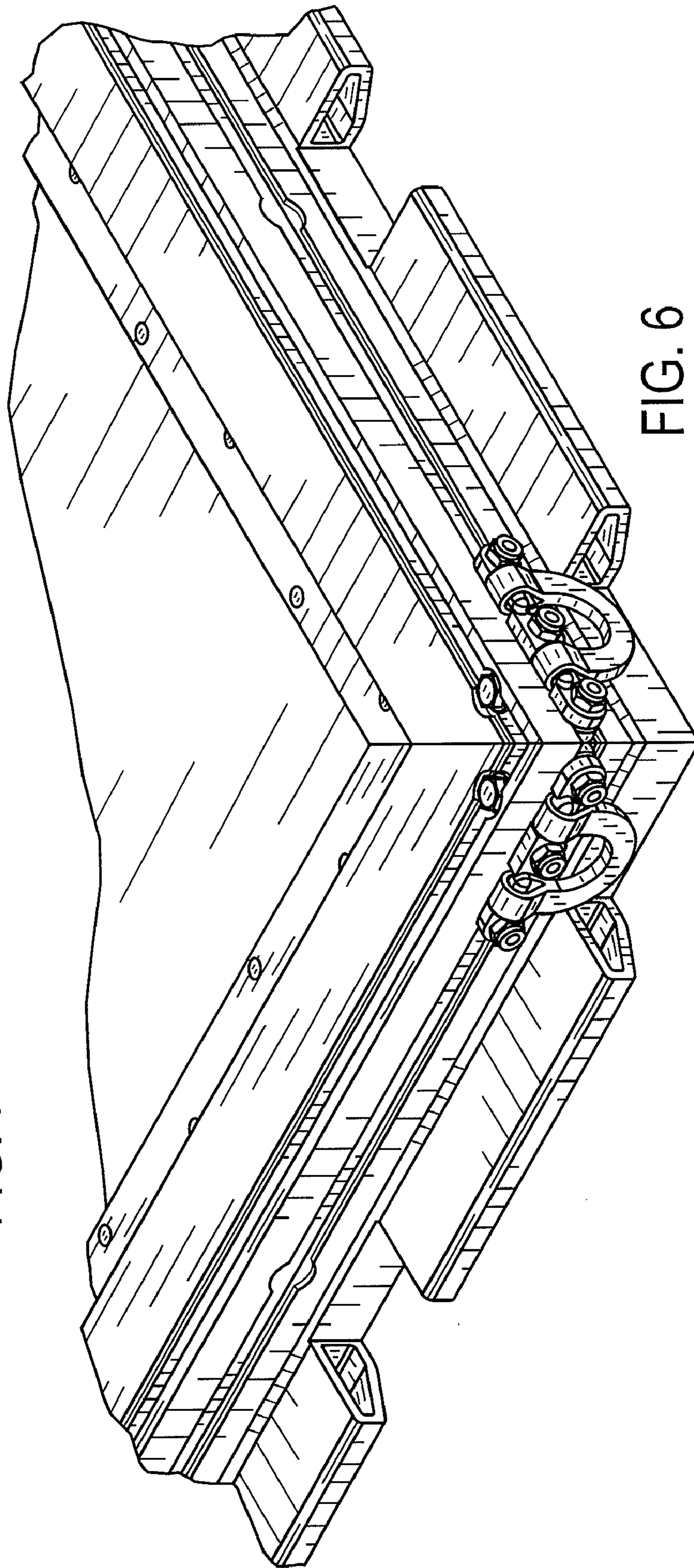


FIG. 6

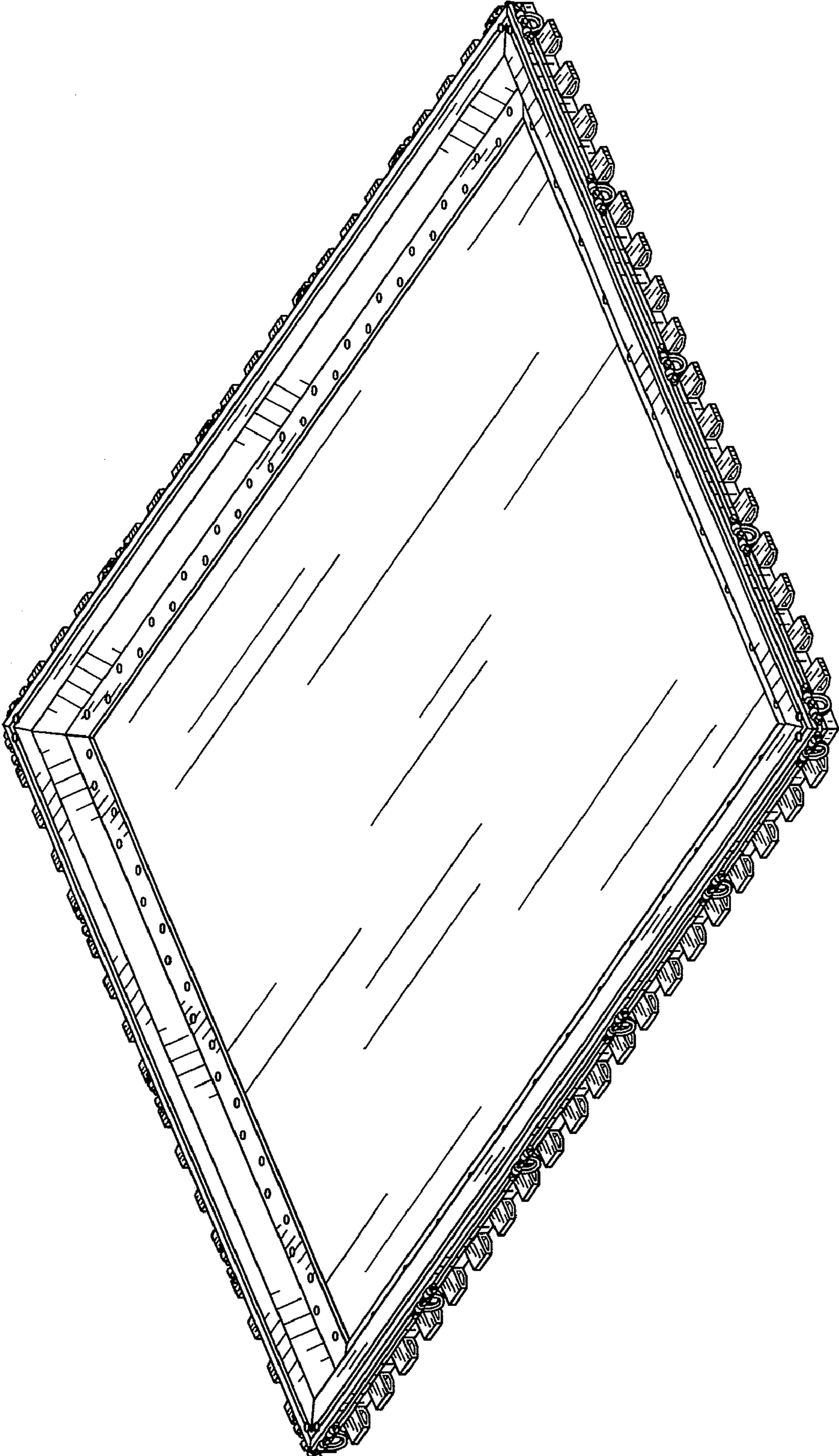


FIG. 8



FIG. 9

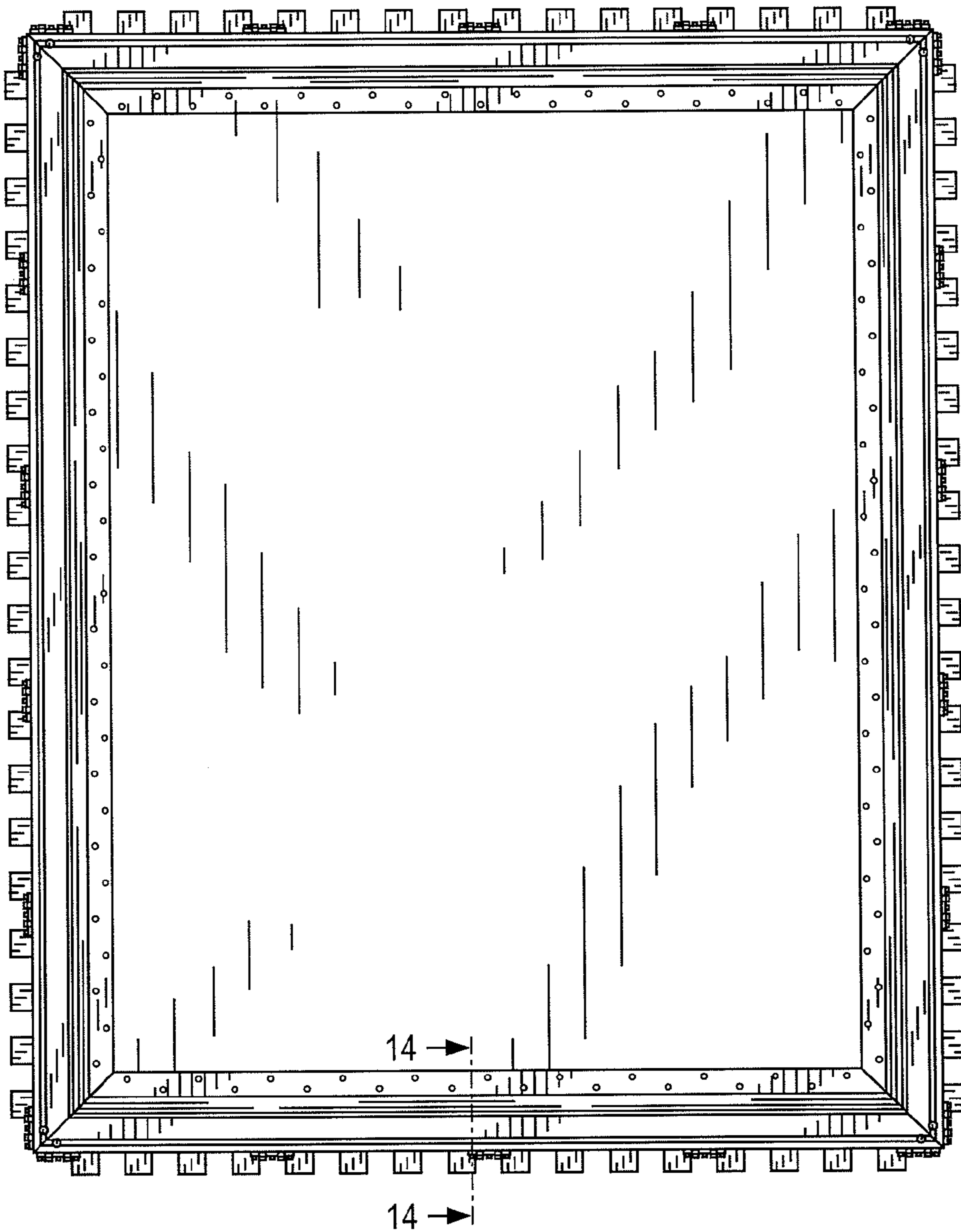


FIG. 10

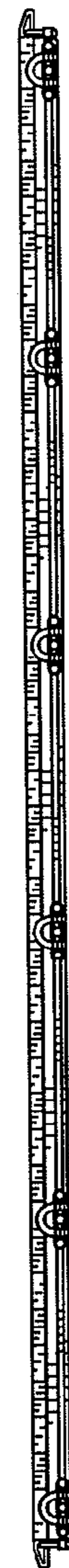


FIG. 11

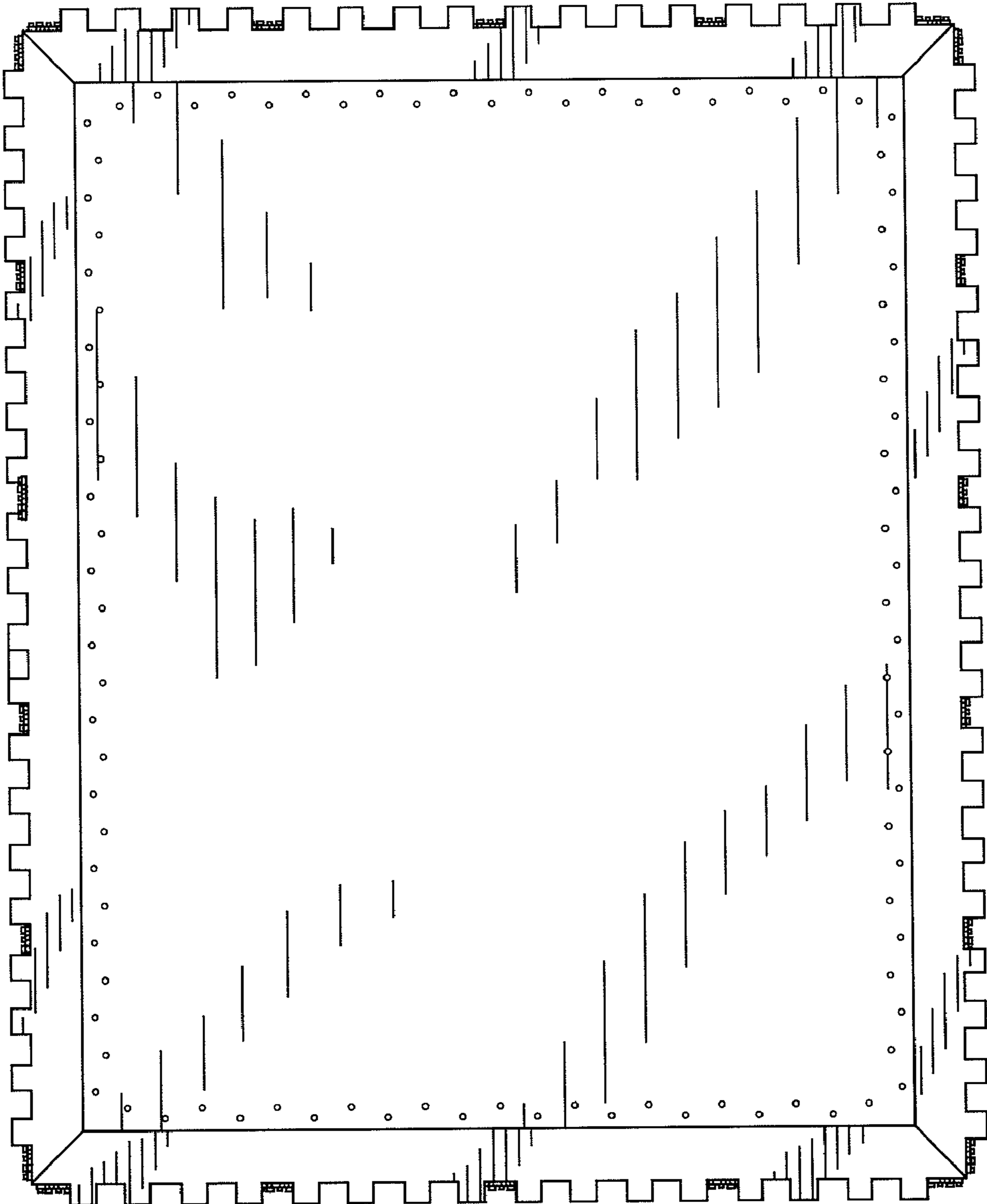


FIG. 12

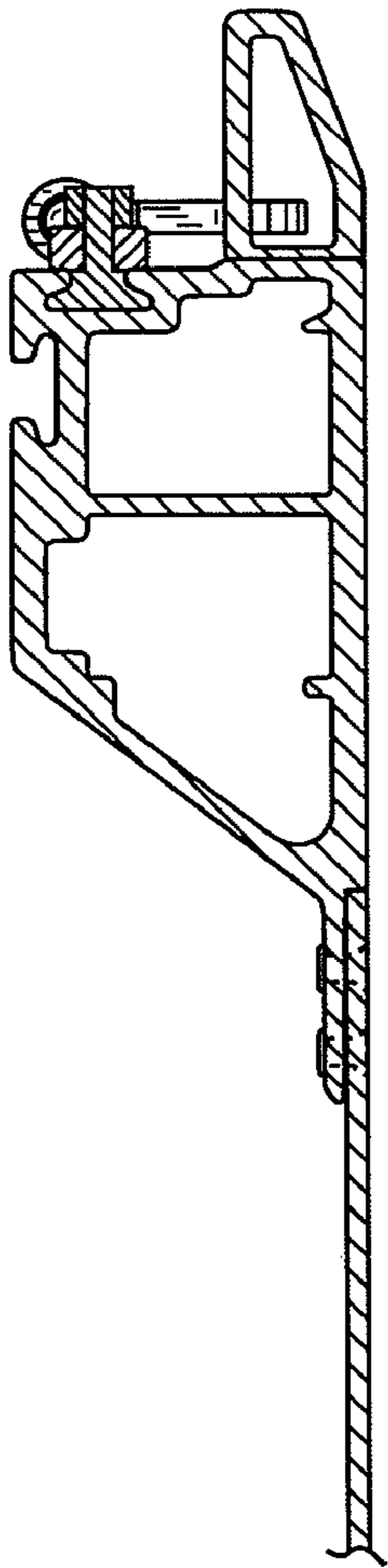


FIG. 14

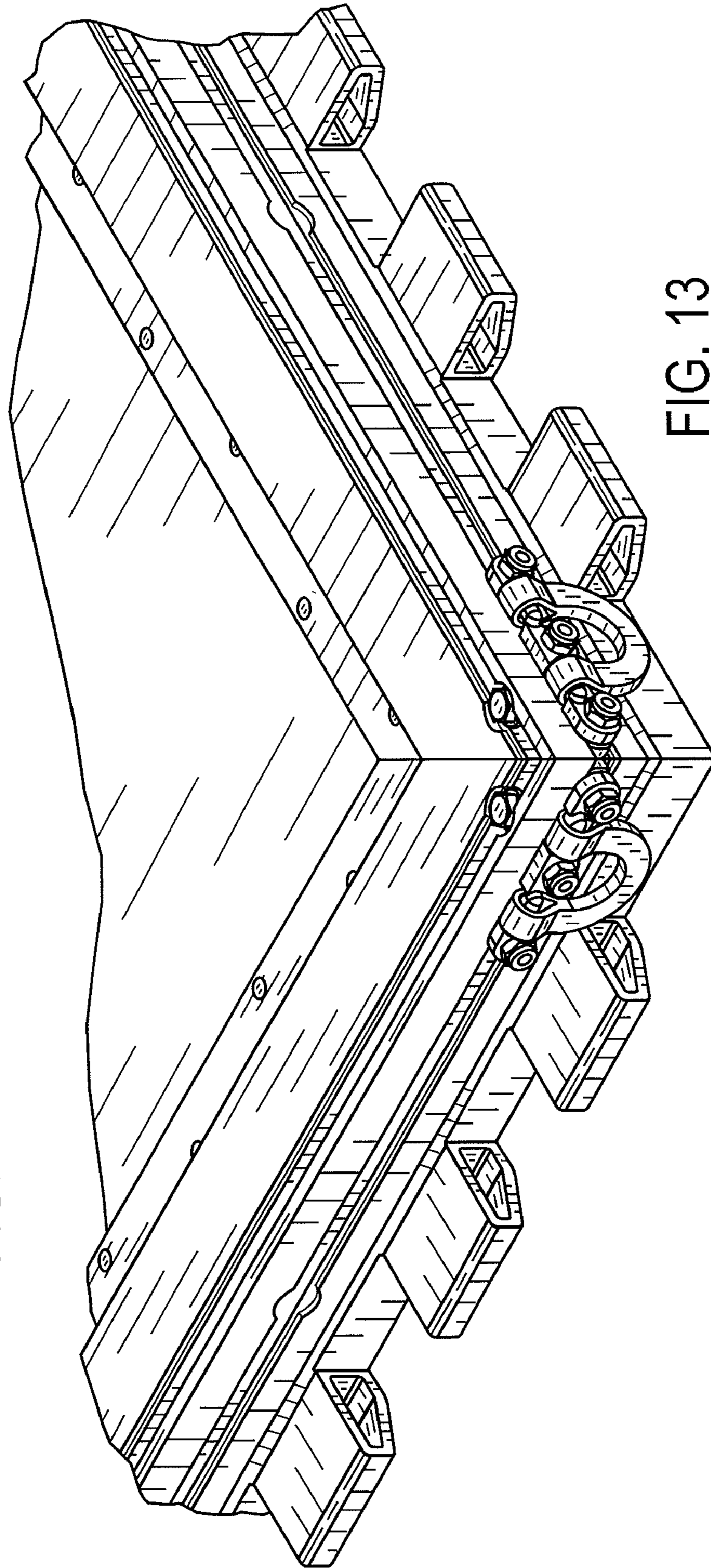


FIG. 13