



US00D617520S

(12) **United States Design Patent**
Jansson

(10) **Patent No.:** **US D617,520 S**
(45) **Date of Patent:** **** Jun. 8, 2010**

(54) **LIFTING CARRIAGE**

(75) Inventor: **Kjell Jansson**, Vaxholm (SE)

(73) Assignee: **Pronomic AB**, Sollentuna (SE)

(**) Term: **14 Years**

(21) Appl. No.: **29/335,459**

(22) Filed: **Apr. 16, 2009**

(30) **Foreign Application Priority Data**

Oct. 17, 2008 (EM) 001022701

(51) **LOC (9) Cl.** **12-02**

(52) **U.S. Cl.** **D34/23**

(58) **Field of Classification Search** D34/12-27;
280/79.11, 47.29, 47.23, 47.26, 47.13, 47.17,
280/652, 47.27

See application file for complete search history.

(56) **References Cited**

U.S. PATENT DOCUMENTS

D143,971 S * 2/1946 Jessen D34/15
D150,572 S * 8/1948 Hutsell D34/15
D166,308 S * 4/1952 Grant D34/15
D166,464 S * 4/1952 Grunng D34/15

D166,953 S * 6/1952 Clarke D34/15
D261,749 S * 11/1981 Hampton D34/15
D269,472 S * 6/1983 Avis D34/15
D310,283 S * 8/1990 Faykosh et al. D34/23
5,820,145 A * 10/1998 Osowski 280/79.7
D406,434 S * 3/1999 Boettcher et al. D34/23

* cited by examiner

Primary Examiner—Cynthia E Ramirez

(74) *Attorney, Agent, or Firm*—Venable LLP; Eric J. Franklin

(57) **CLAIM**

The ornamental design for a lifting carriage, as shown and described.

DESCRIPTION

FIG. 1 is a right side view of an embodiment of a lifting carriage showing my new design;

FIG. 2 is a left side view thereof;

FIG. 3 is a top view thereof;

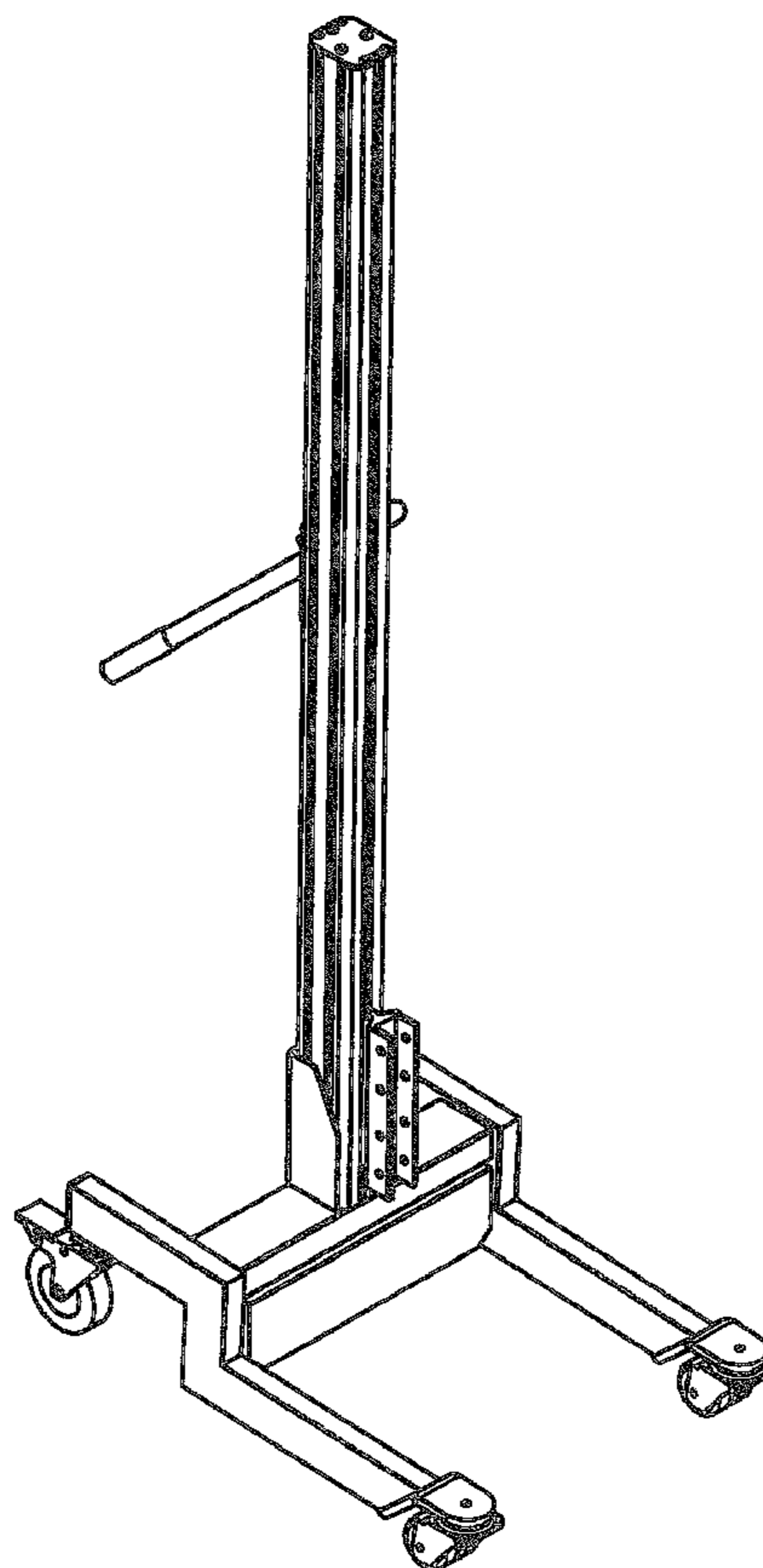
FIG. 4 is a bottom view thereof;

FIG. 5 is a rear view thereof;

FIG. 6 is a front view thereof; and,

FIG. 7 is a perspective view thereof.

1 Claim, 7 Drawing Sheets



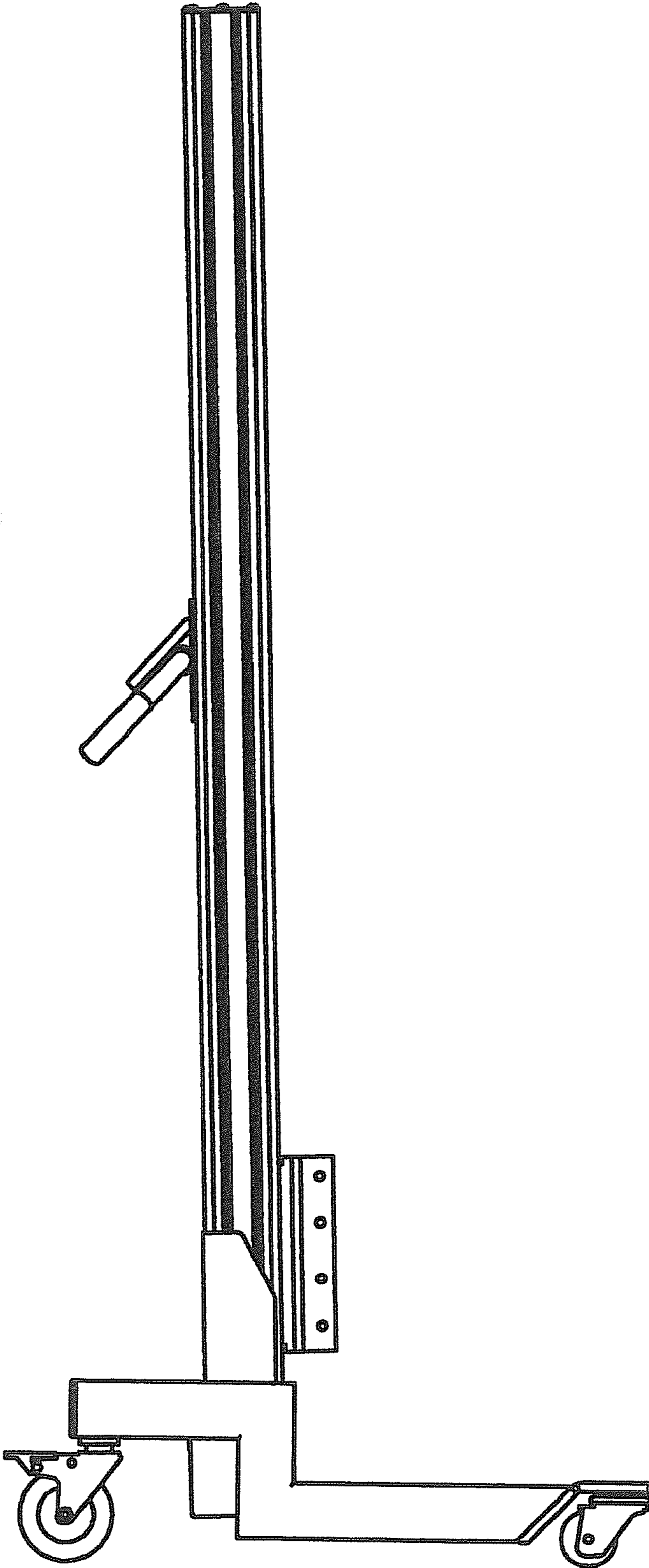


Fig 1

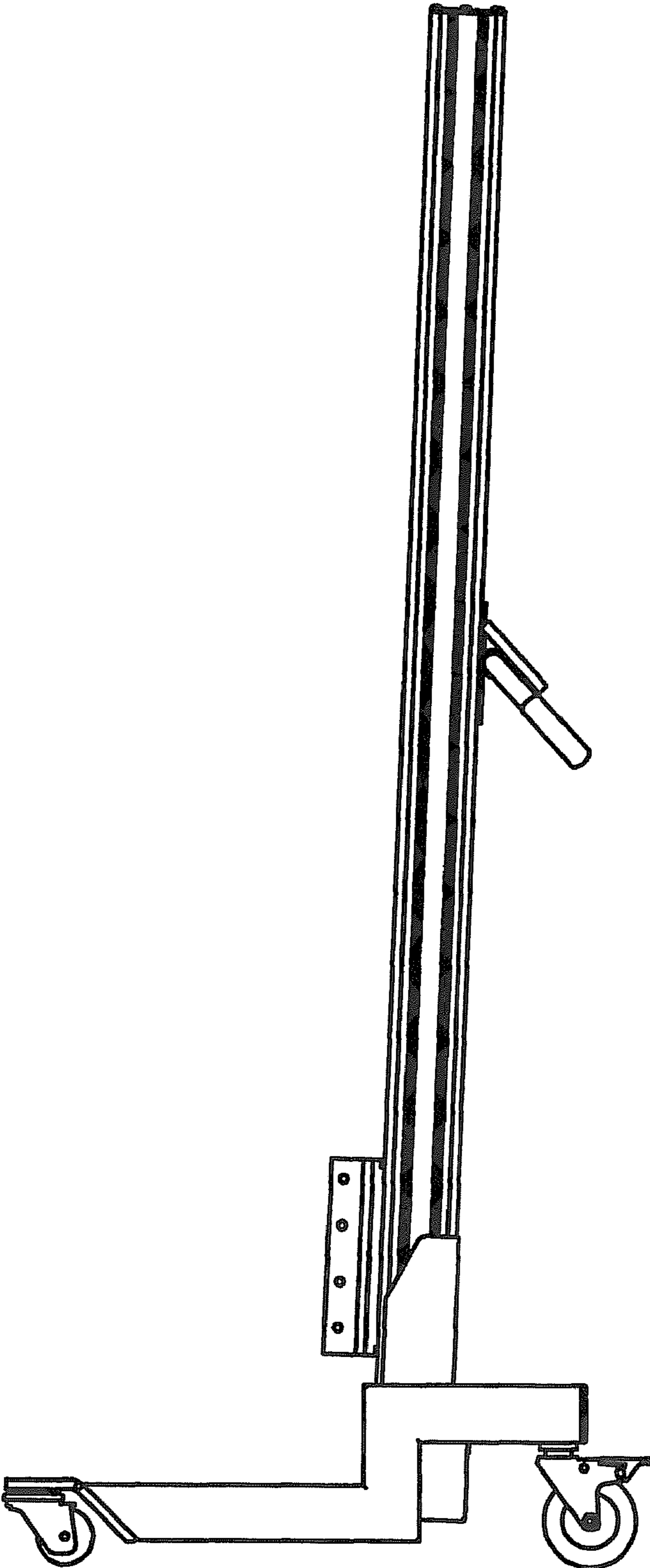


Fig 2

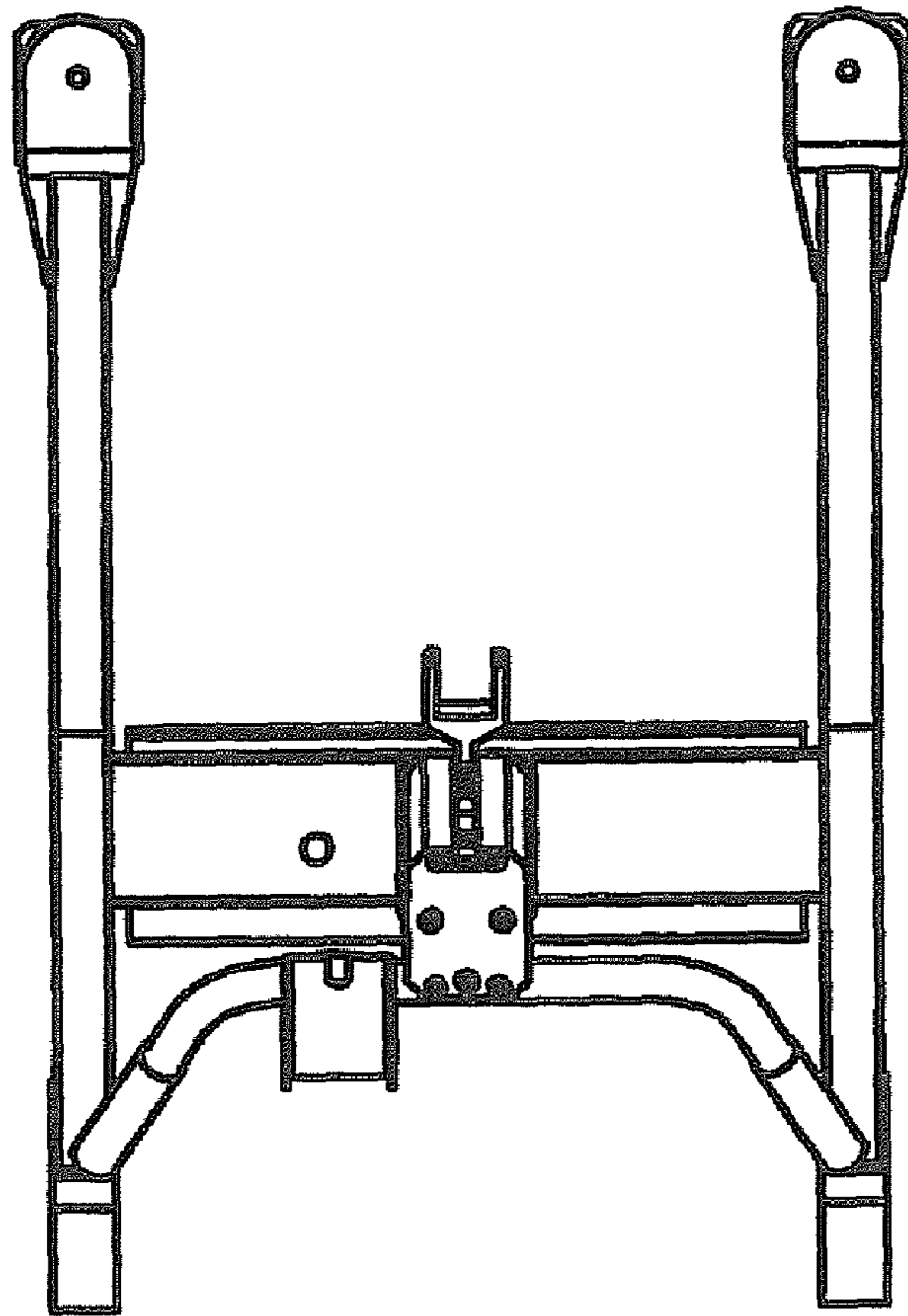


Fig 3

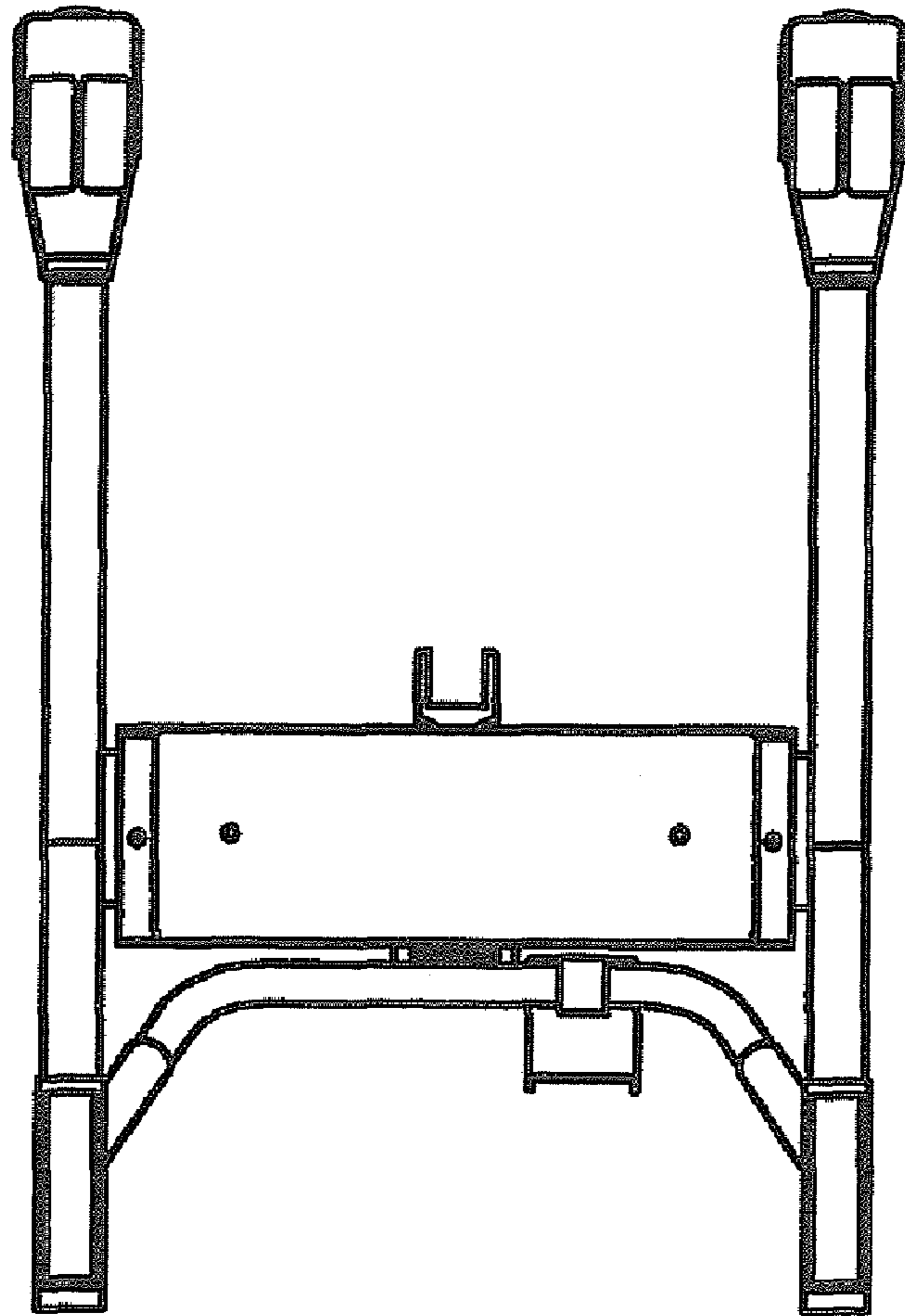


Fig 4

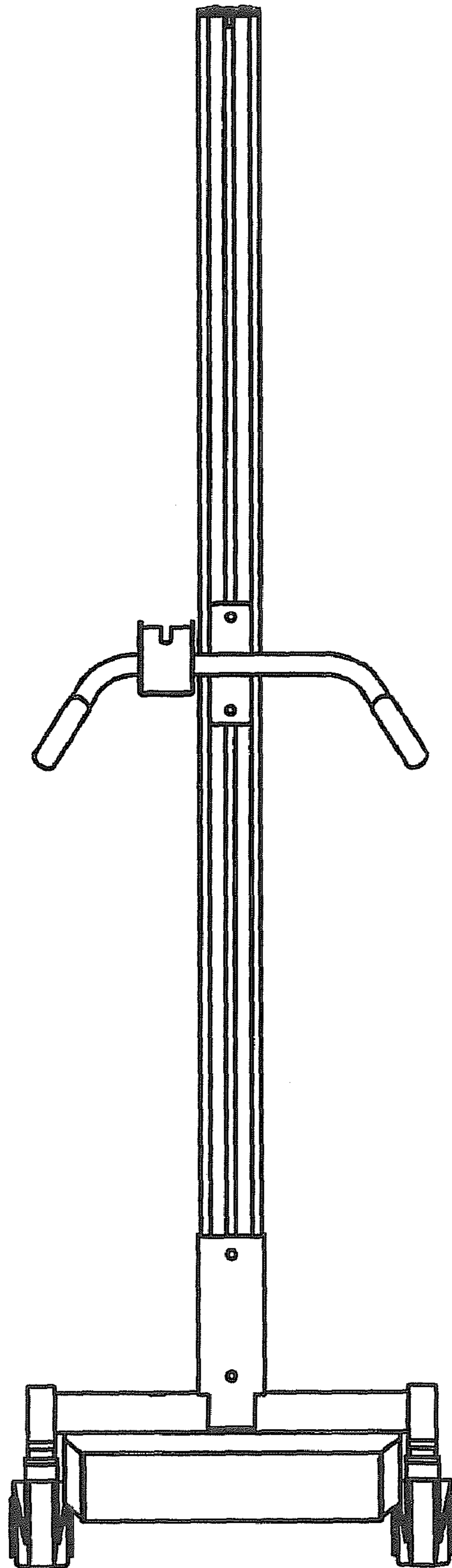


Fig 5

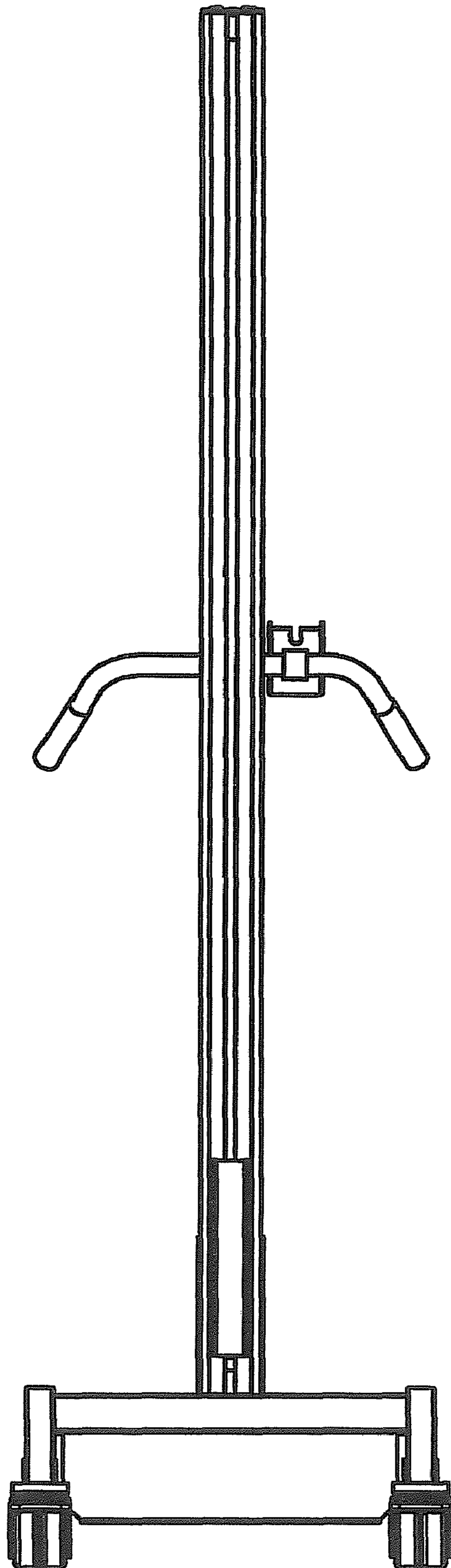


Fig 6

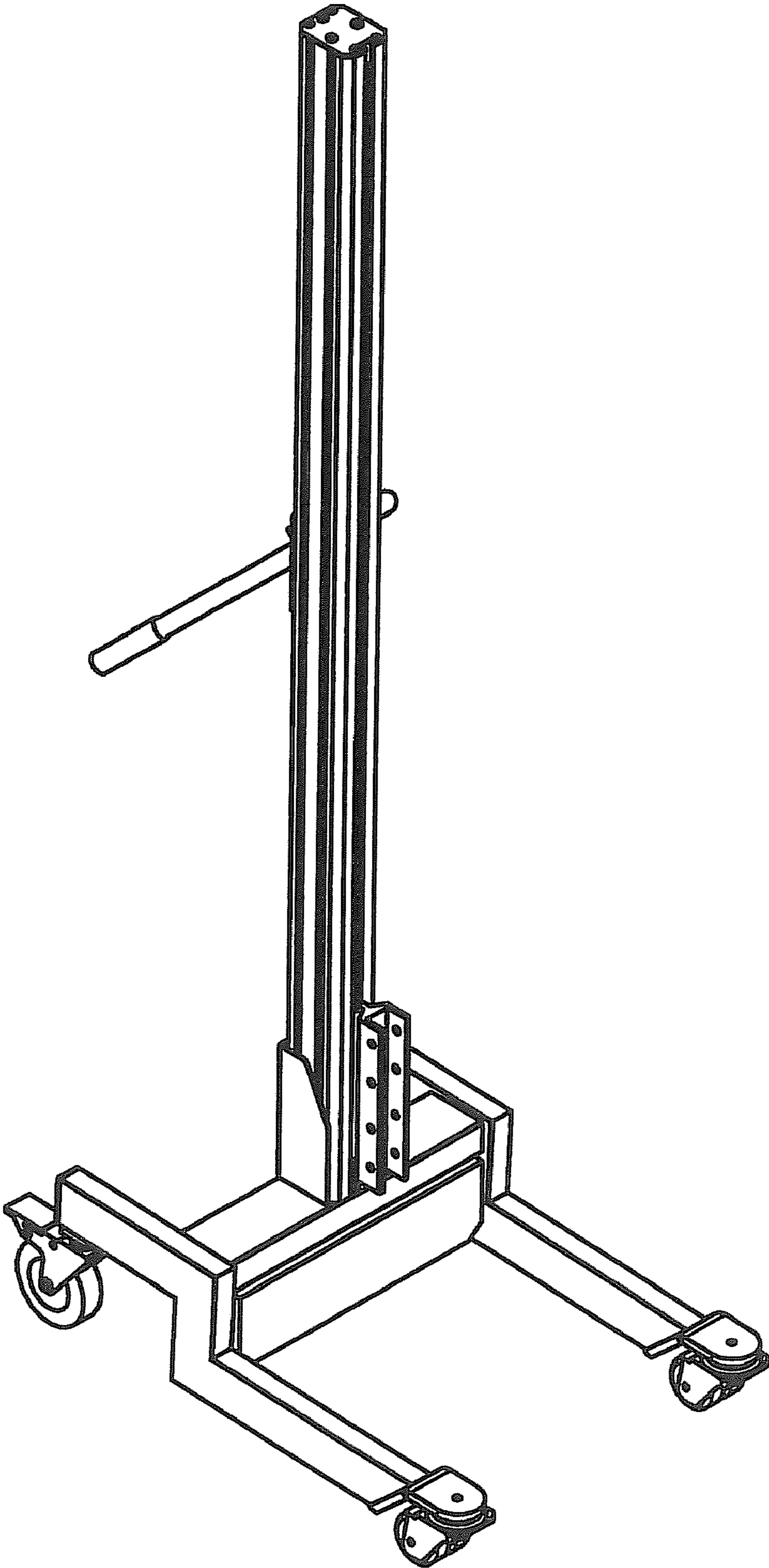


Fig 7