



US00D617519S

(12) **United States Design Patent**  
**Malczewski et al.**

(10) **Patent No.:** **US D617,519 S**  
(45) **Date of Patent:** **\*\* Jun. 8, 2010**

(54) **RECYCLE CENTER**

5,076,458 A 12/1991 Weiner et al.

(75) Inventors: **Edmund A. Malczewski**, Milwaukee, WI (US); **Casey M. Dembowiak**, Greenfield, WI (US)

(Continued)

(73) Assignee: **Riverwest Engineering & Design, Inc.**, West Allis, WI (US)

*Primary Examiner*—Cynthia E Ramirez

(74) *Attorney, Agent, or Firm*—Boyle Fredrickson, S.C.

(\*\*) Term: **14 Years**

(57) **CLAIM**

(21) Appl. No.: **29/324,728**

The ornamental design for a recycle center, as shown and described.

(22) Filed: **Sep. 18, 2008**

**DESCRIPTION**

(51) **LOC (9) Cl.** ..... **09-09**

(52) **U.S. Cl.** ..... **D34/1; D34/6**

(58) **Field of Classification Search** ..... D34/1, D34/5, 6, 7, 8, 9, 10, 11; 220/908–911  
See application file for complete search history.

This design application claims priority under U.S. Ser. No. 29/256,156, filed Oct. 15, 2007 and entitled “Recycle Center”, U.S. patent application Ser. No. 12/025,298, filed Feb. 4, 2008 and entitled “Recycling Center”, and U.S. patent application Ser. No. 12/025,313, filed Feb. 4, 2008 and entitled “Bag Support for Recycling Center.”

(56) **References Cited**

**U.S. PATENT DOCUMENTS**

63,383 A	4/1867	Hanks	
100,123 A	2/1870	Crofoot	
102,616 A	5/1870	Sweigert	
447,686 A	3/1891	Holladay	
653,035 A	7/1900	Noble	
1,022,862 A	4/1912	McMillen	
2,470,977 A	5/1949	Chidsey, Jr.	
3,502,291 A	3/1970	Ackerman et al.	
3,659,816 A	5/1972	Wilson	
D229,279 S *	11/1973	Kay et al. ....	D34/1
3,948,474 A	4/1976	Pomroy	
4,593,873 A	6/1986	Nelson	
4,613,104 A	9/1986	Garrott	
4,697,771 A	10/1987	Majors	
4,711,367 A	12/1987	Albertson	
4,723,741 A	2/1988	Doering	
4,793,628 A	12/1988	Haley, Sr.	
D304,873 S	11/1989	Ruehland	
4,953,815 A	9/1990	Beymer et al.	
5,044,644 A	9/1991	Duran et al.	
5,046,635 A *	9/1991	Haas et al. ....	220/524

FIG. 1 is an isometric view of a first embodiment of a recycle center in accordance with the present invention;

FIG. 2 is a front elevational view of the recycle center of FIG. 1;

FIG. 3 is a first side view of the recycle center of FIG. 1;

FIG. 4 is a second side view of the recycle center of FIG. 1;

FIG. 5 is a top plan view of the recycle center of FIG. 1;

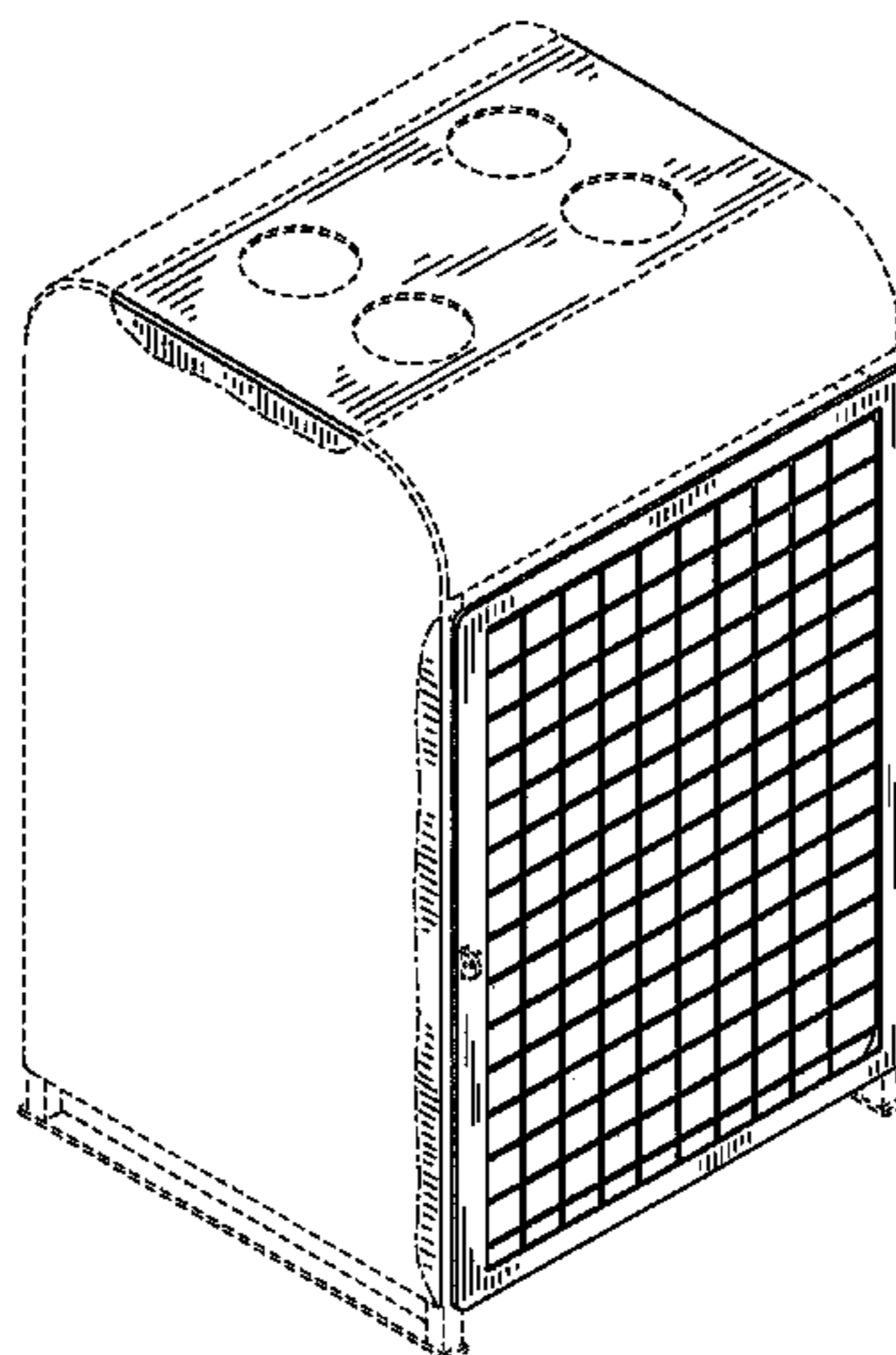
FIG. 6 is a bottom plan view of the recycle center of FIG. 1; and,

FIG. 7 is a rear elevational view of the recycle center of FIG. 1.

The broken line showing of some elements is included for the purpose of illustrating environment and forms no part of the claimed design.

The broken line(s) which define the bounds of the claimed design form no part thereof.

**1 Claim, 6 Drawing Sheets**



# US D617,519 S

Page 2

## U.S. PATENT DOCUMENTS

5,203,618	A	4/1993	Oshall	D428,229	S	7/2000	Olivetti	
D337,402	S	7/1993	Burelle	6,116,549	A	9/2000	Santa Cruz et al.	
D352,581	S	11/1994	Fredericks	6,334,593	B2	1/2002	Inoue	
5,360,189	A	11/1994	Hart	6,491,264	B1	12/2002	Valesquez	
5,390,813	A	2/1995	Anderson et al.	6,550,792	B1	4/2003	Salmon et al.	
5,398,838	A	3/1995	Dosunmu	D481,509	S	10/2003	Perelli	
D358,012	S	5/1995	Faulkner et al.	6,676,141	B1	1/2004	Hadley	
5,411,229	A	5/1995	Hoefkes	D507,089	S	7/2005	Enayati et al.	
5,570,862	A	11/1996	Nugent	7,032,868	B2	4/2006	Mutert	
D388,922	S	1/1998	Peters	D521,204	S	5/2006	Lauer	
5,799,908	A	9/1998	Downs	D531,373	S	10/2006	DesLaurier	
5,819,974	A	10/1998	Caldwell	7,188,745	B2	3/2007	Schermel	
5,887,696	A	3/1999	Goetz	D546,521	S	7/2007	Mutert	
D423,168	S	4/2000	Studstill	D551,414	S	* 9/2007	Weiss .....	D34/1
6,076,782	A	6/2000	Alderman	D552,320	S	10/2007	Presnell et al.	
				D594,621	S	* 6/2009	Tuncel .....	D34/1

\* cited by examiner

FIG. 1

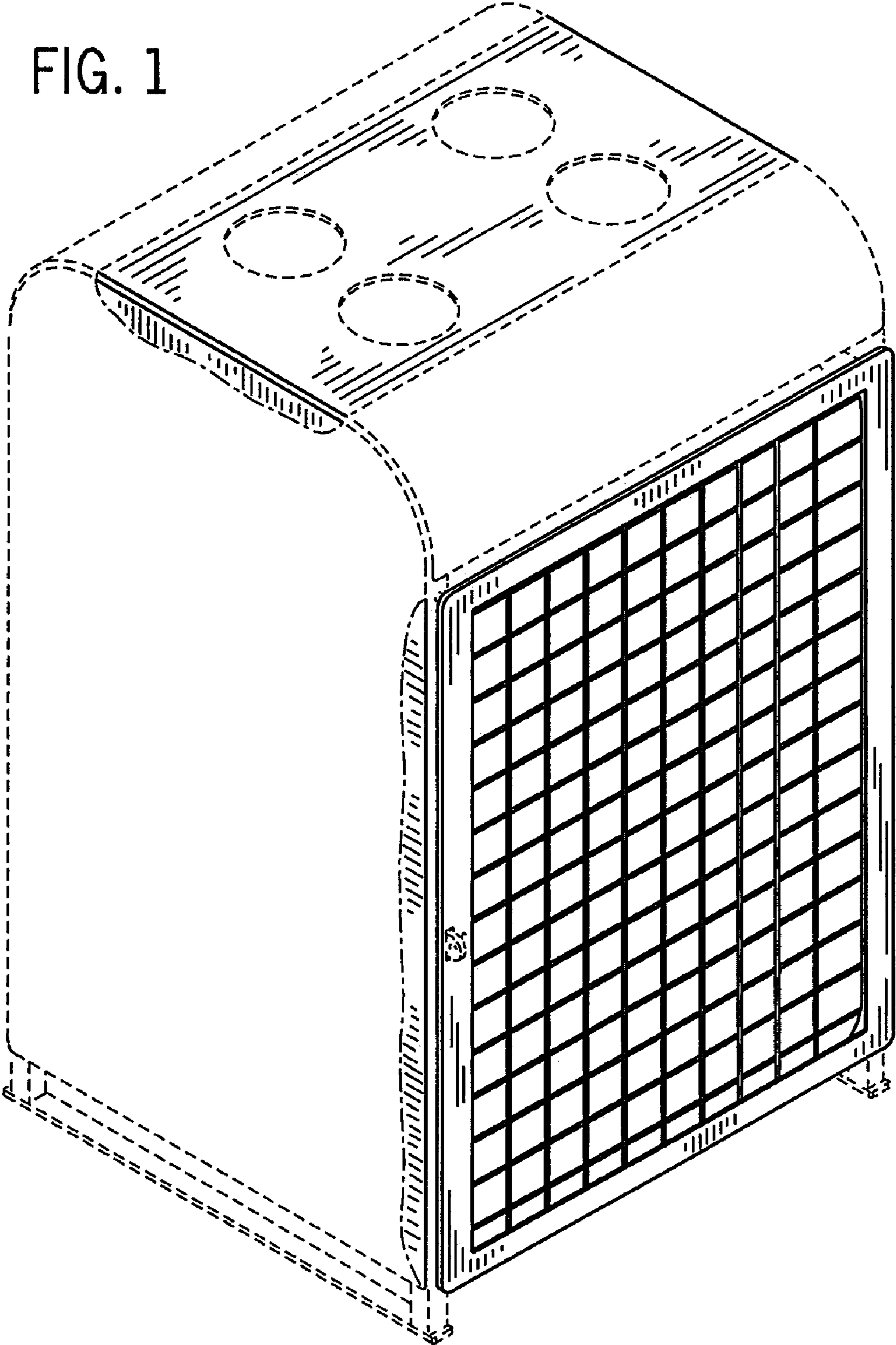


FIG. 2

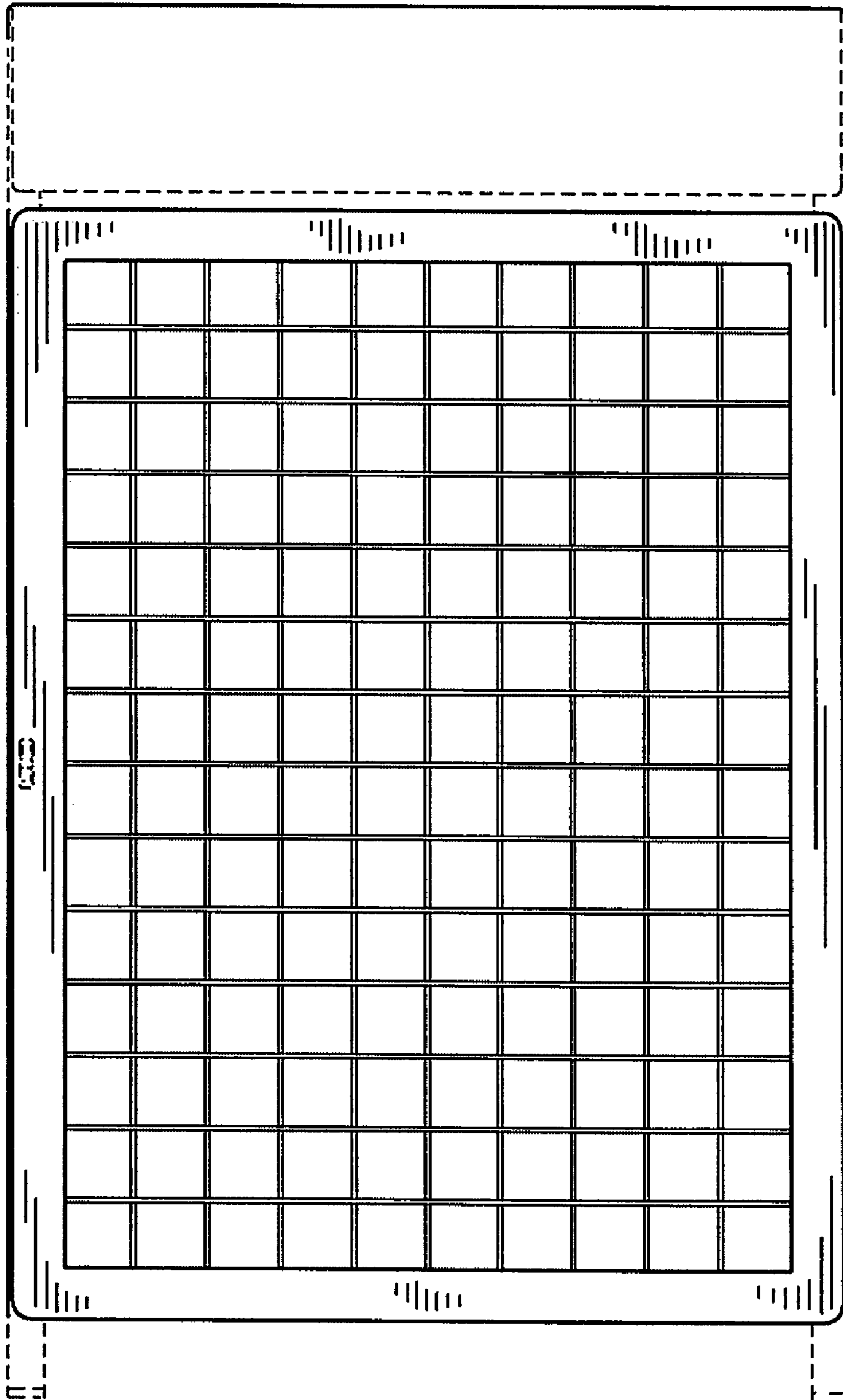


FIG. 3

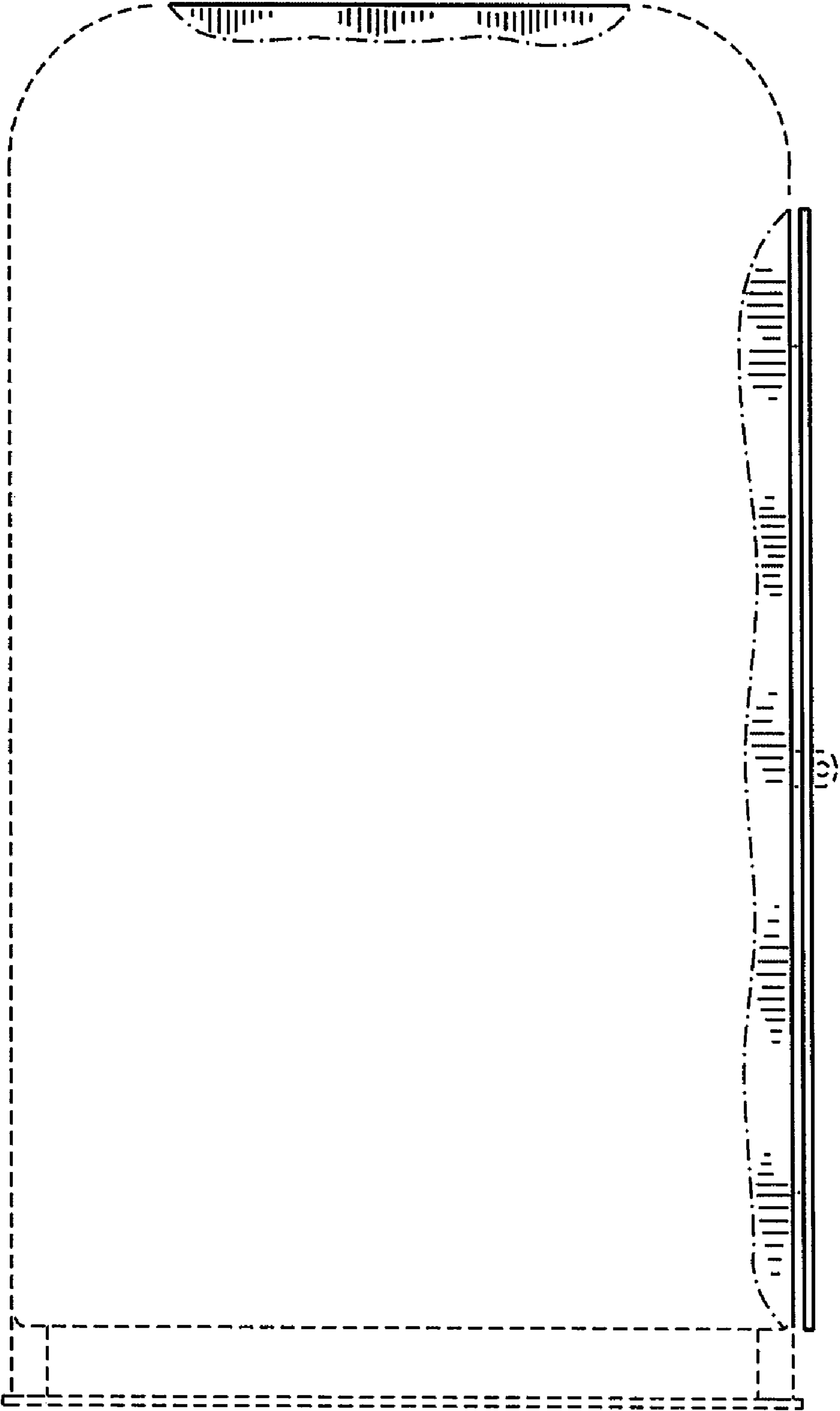


FIG. 4

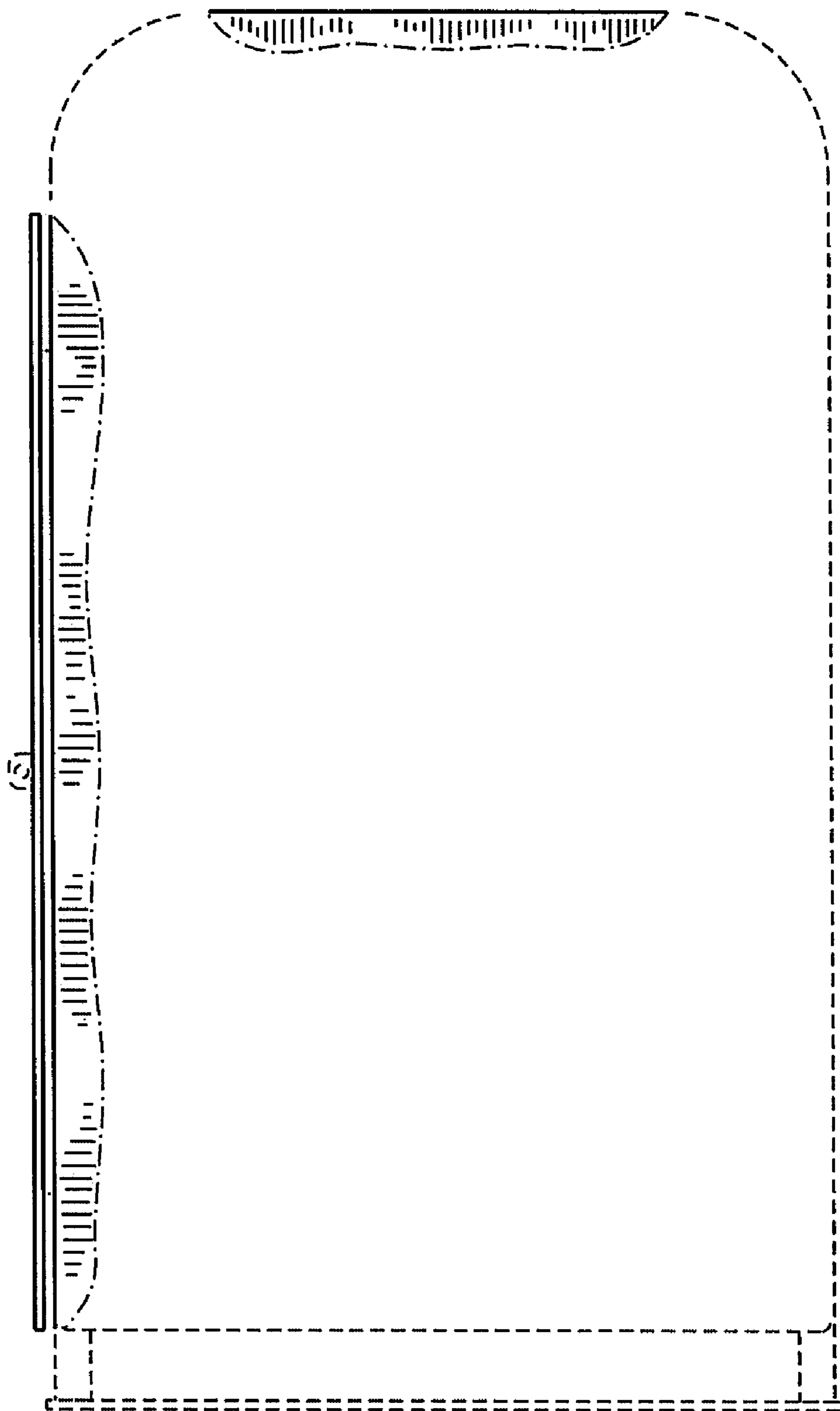


FIG. 5

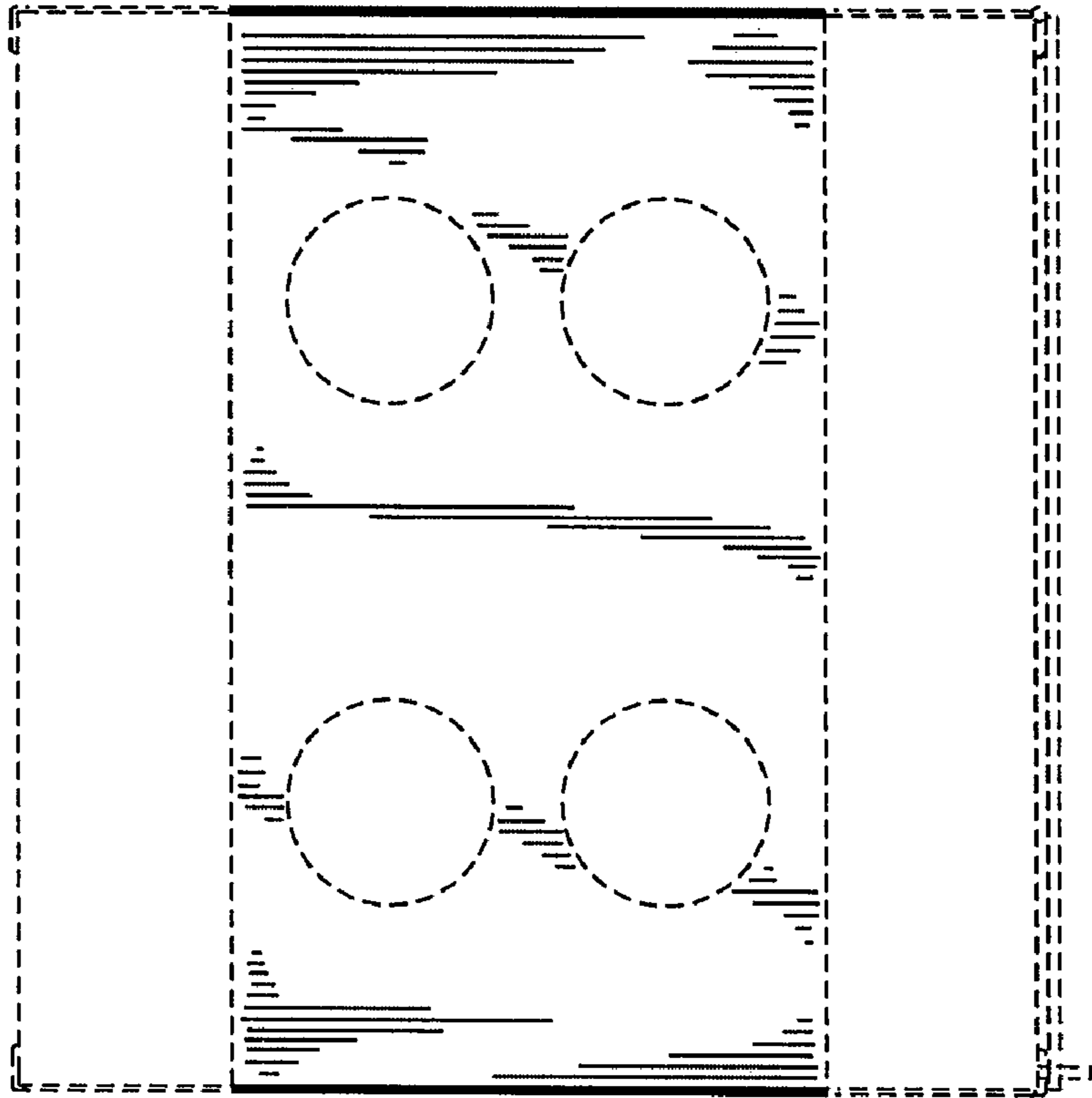


FIG. 6

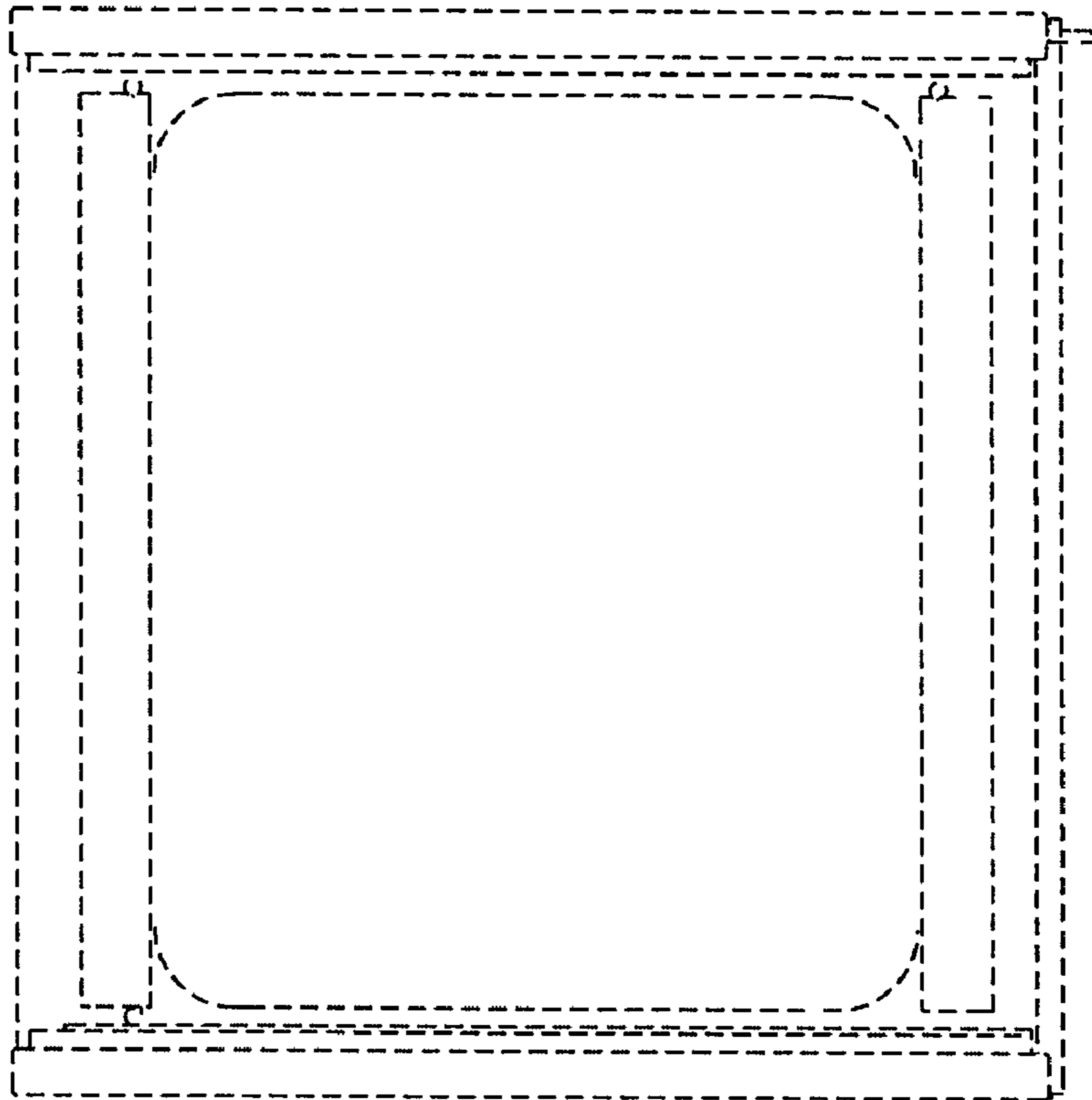


FIG. 7

