



US00D617518S

(12) **United States Design Patent**
Choi

(10) **Patent No.:** **US D617,518 S**
(45) **Date of Patent:** **** *Jun. 8, 2010**

(54) **STATION FOR ELECTRIC IRON**

(76) Inventor: **Lung Wai Choi**, Block A & C, 2/F, Gee
Chang Industrial Building, 108 Lock
Shan Road, Tokwawan, Kowloon (HK)

(*) Notice: This patent is subject to a terminal dis-
claimer.

(**) Term: **14 Years**

(21) Appl. No.: **29/336,711**

(22) Filed: **May 7, 2009**

(51) **LOC (9) Cl.** **07-05**

(52) **U.S. Cl.** **D32/73**

(58) **Field of Classification Search** D32/1,
D32/17, 25, 35, 68-73; 38/1 R, 2, 12, 15,
38/17, 69, 74-75, 77.1-77.9, 79, 88, 90,
38/93, 141; 219/243, 245-252, 259
See application file for complete search history.

(56) **References Cited**

U.S. PATENT DOCUMENTS

5,404,662	A	*	4/1995	Patrick et al.	38/77.82
D370,324	S	*	5/1996	Villa	D32/73
D423,163	S	*	4/2000	Stutzer et al.	D32/73
D439,023	S	*	3/2001	Powell	D32/73
D463,641	S	*	9/2002	Powell	D32/71
D470,637	S	*	2/2003	Berthier	D32/73
D470,986	S	*	2/2003	Berthier	D32/73
D484,658	S	*	12/2003	Schupp	D32/73
D546,517	S		7/2007	Choi		
D564,166	S	*	3/2008	Yang	D32/73

D567,463	S	*	4/2008	Garner	D32/73
D568,021	S	*	4/2008	Lebot et al.	D32/73
D570,570	S	*	6/2008	Renault	D32/73
D575,019	S		8/2008	Choi		
D576,369	S		9/2008	Choi		
D576,370	S		9/2008	Choi		
D579,160	S	*	10/2008	Lebot et al.	D32/9

* cited by examiner

Primary Examiner—Rosemary K Tarcza
(74) *Attorney, Agent, or Firm*—Stoel Rives, LLP

(57) **CLAIM**

The ornamental design for a station for an electric iron, as shown and described.

DESCRIPTION

FIG. 1 is a perspective of a station for an electric iron with a handle deployed;

FIG. 2 is an alternate perspective of the station for an electric iron without the handle deployed;

FIG. 3 is a front view of the station for an electric iron;

FIG. 4 is a back view of the station for an electric iron;

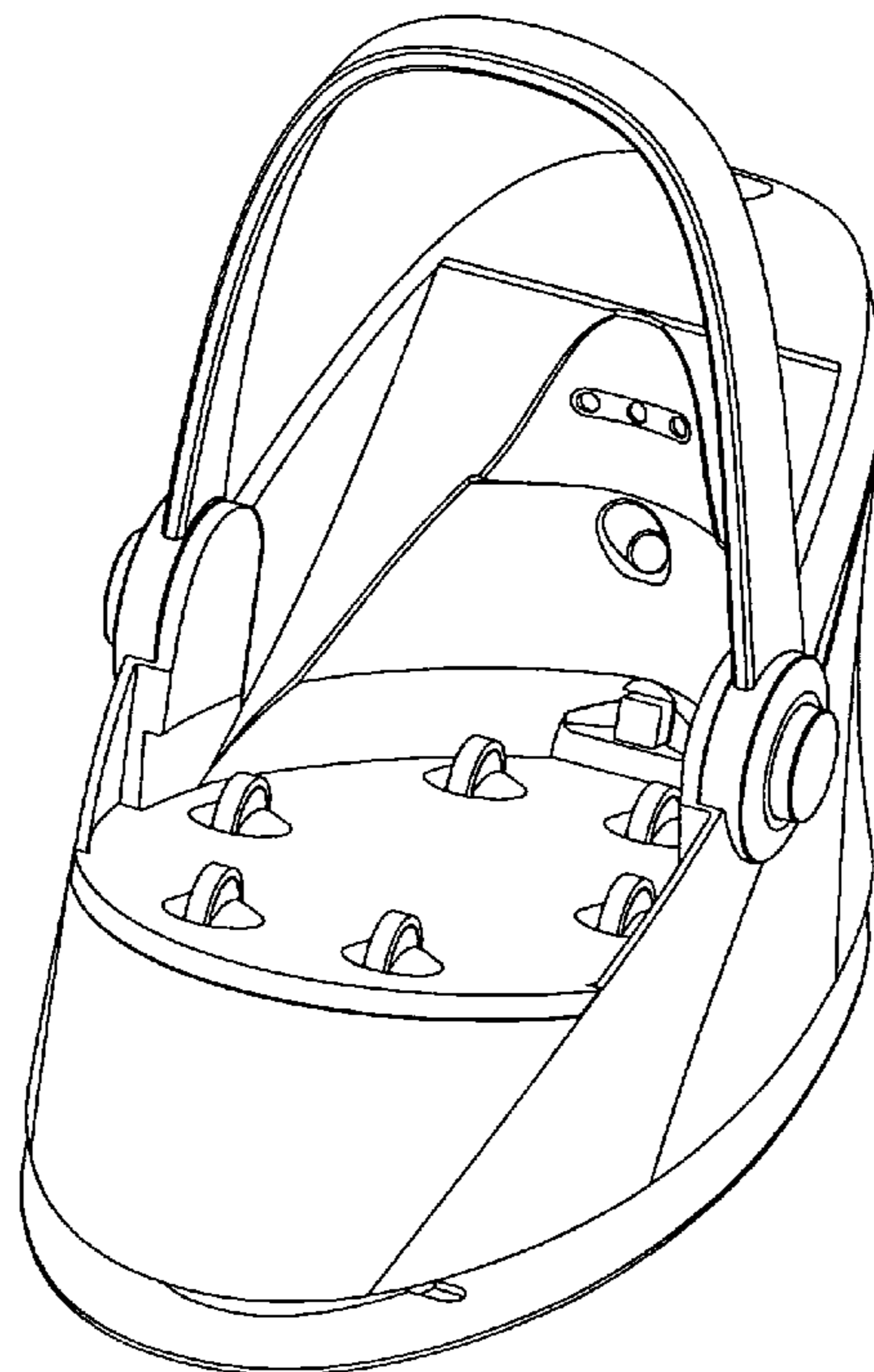
FIG. 5 is a left view of the station for an electric iron;

FIG. 6 is a right view of the station for an electric iron; and,

FIG. 7 is a top view of the station for an electric iron.

The broken lines shown in the drawings are included for the purpose of illustrating environmental structure and form no part of the claimed design.

1 Claim, 7 Drawing Sheets



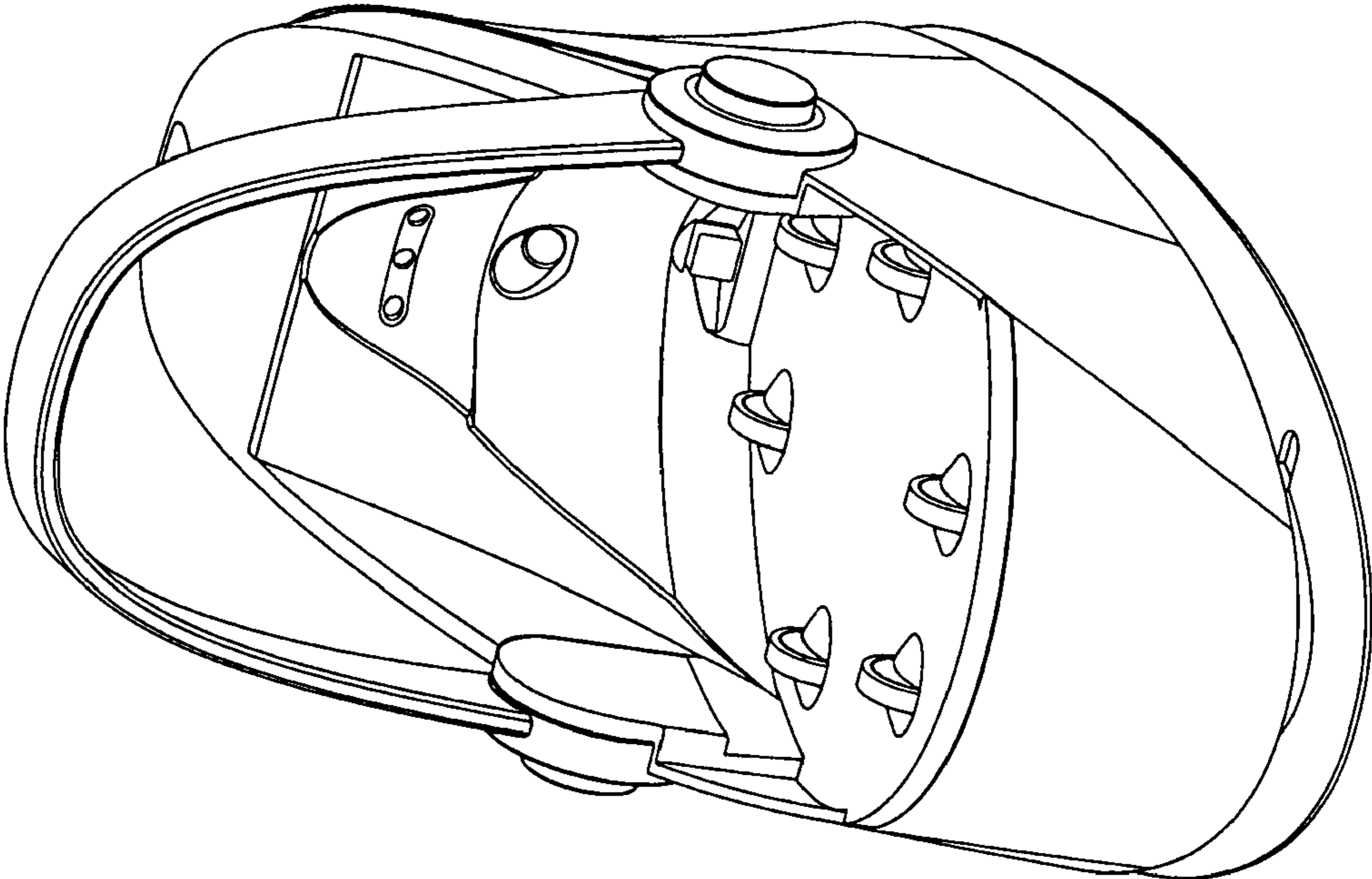


Figure 1

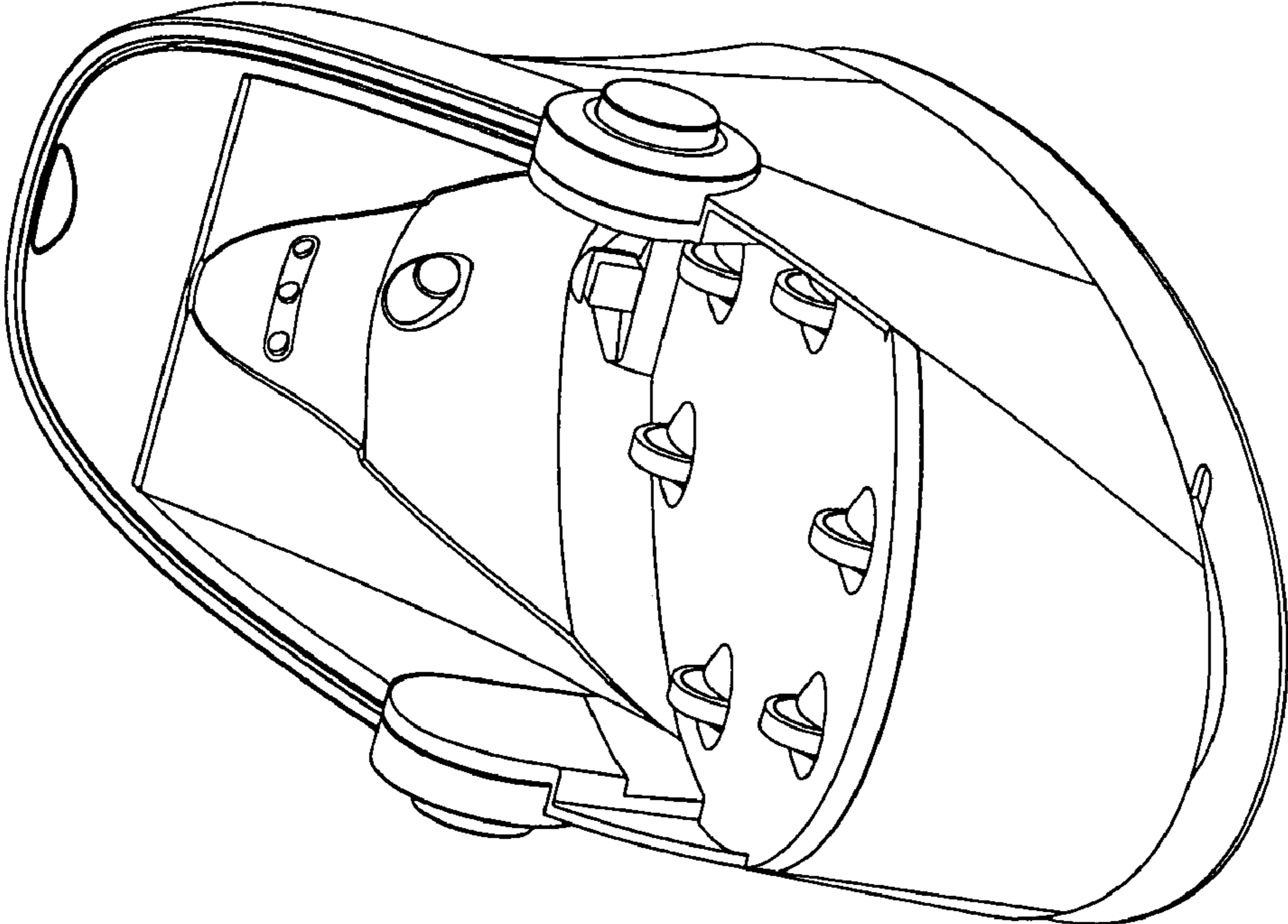


Figure 2

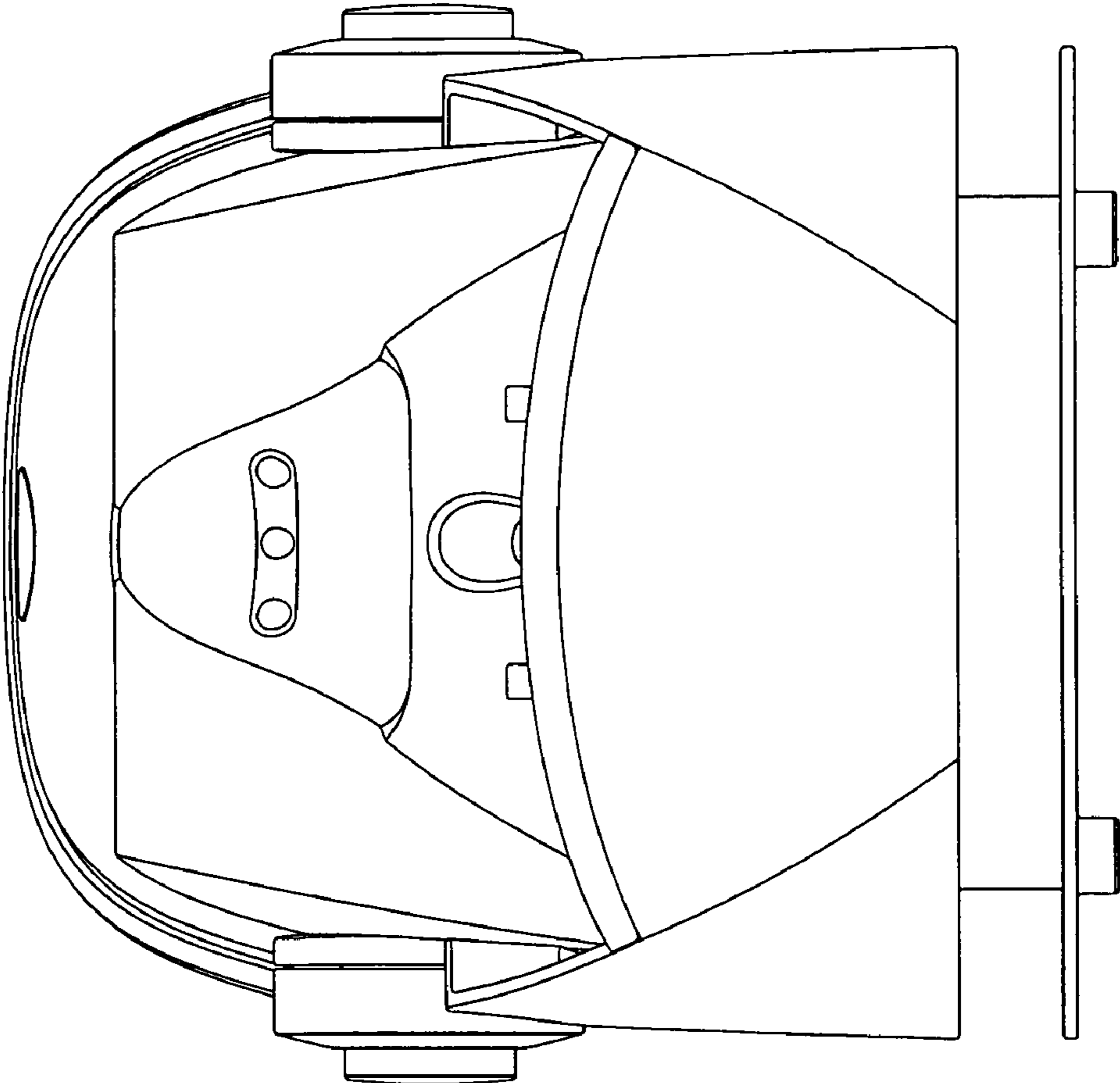


Figure 3

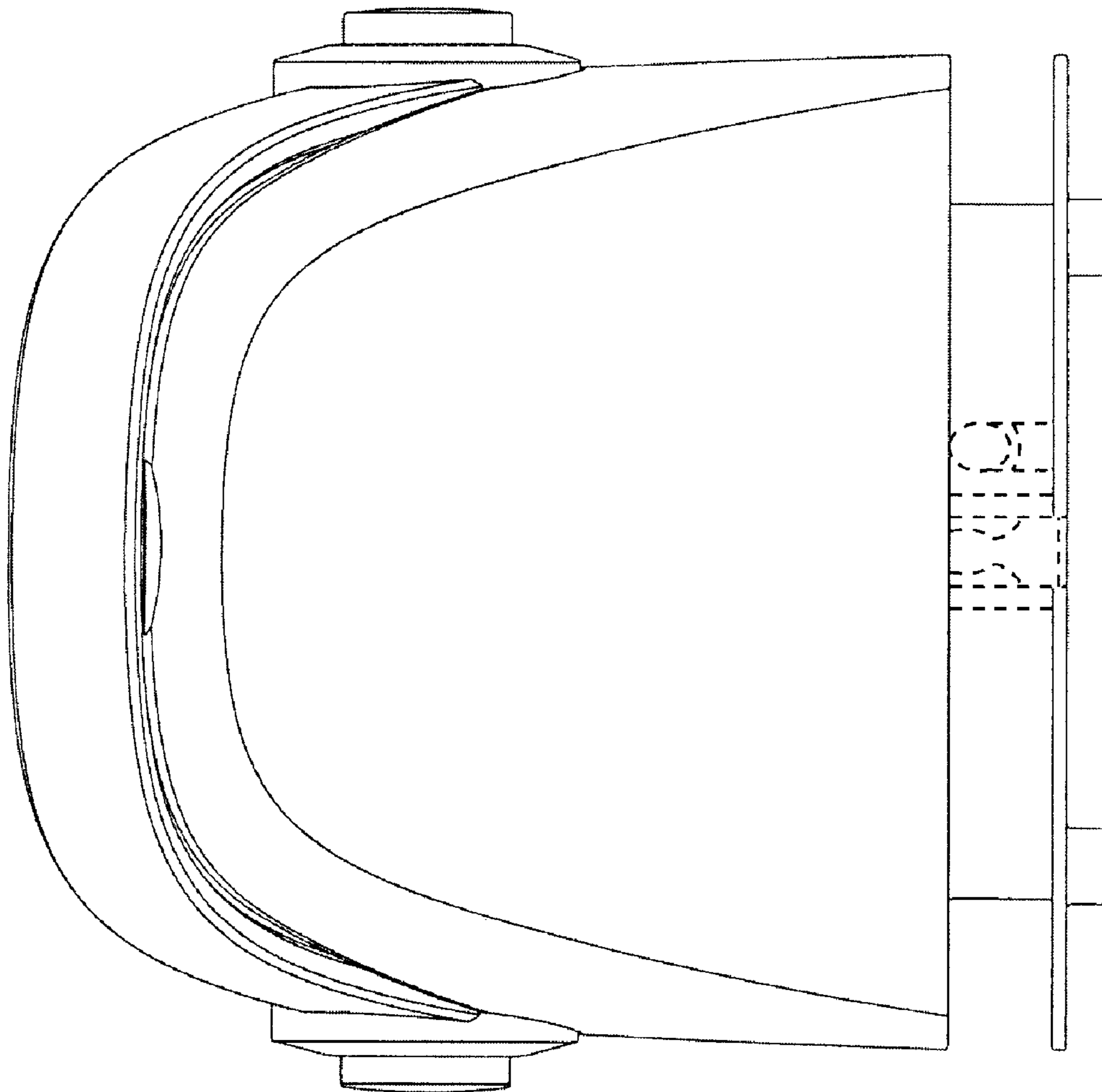


Figure 4

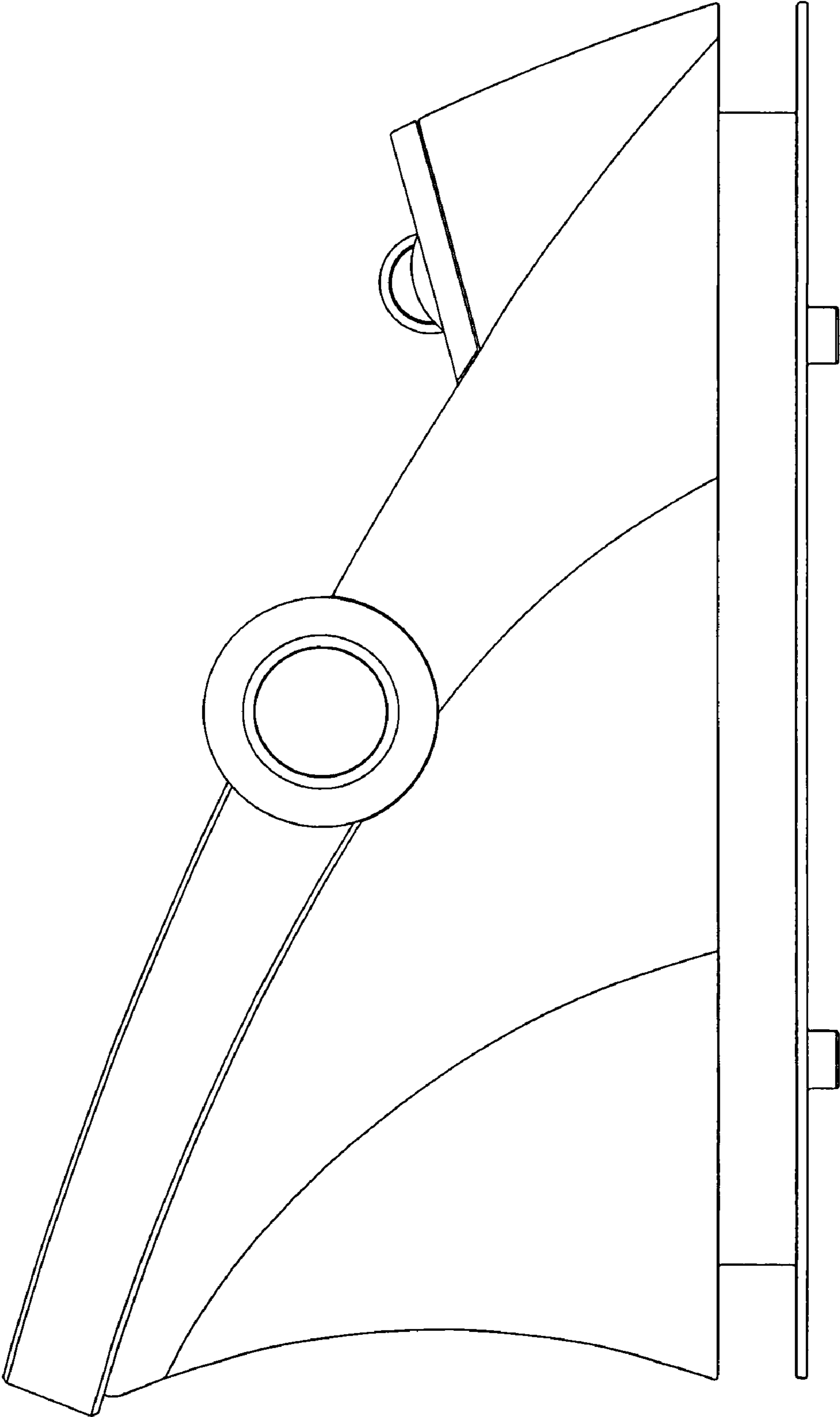


Figure 5

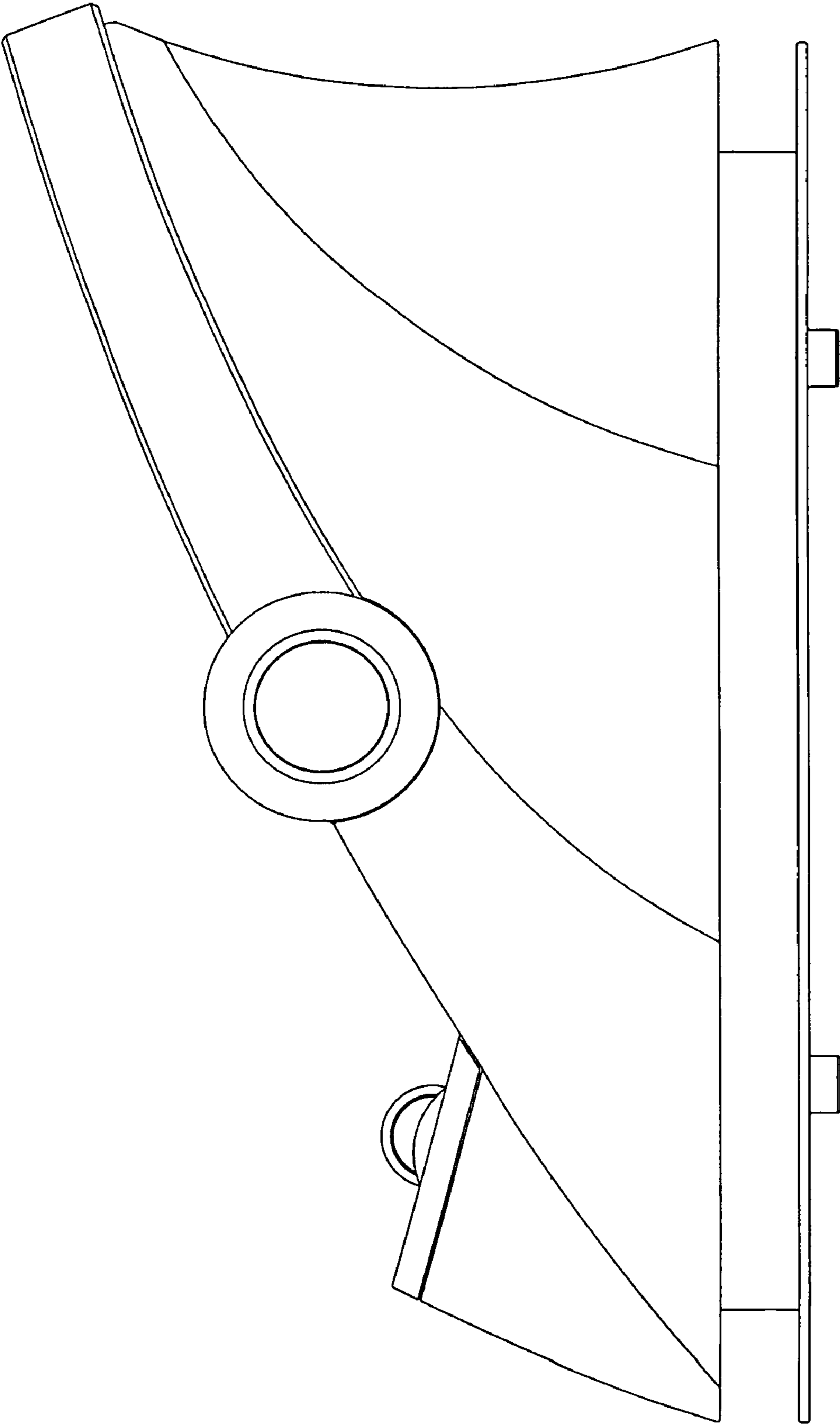


Figure 6

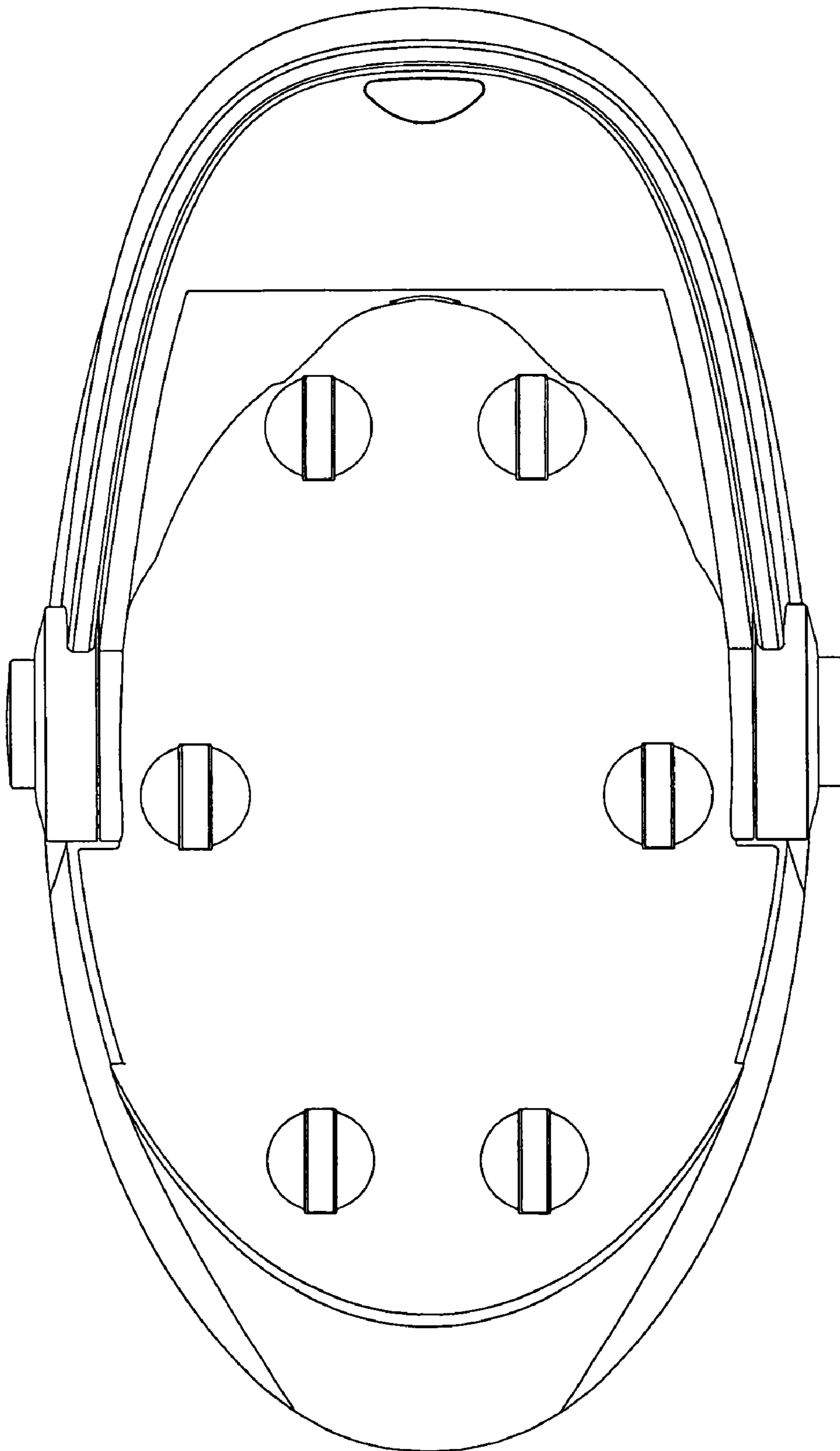


Figure 7