



US00D617515S

(12) **United States Design Patent**
Dunn

(10) **Patent No.:** **US D617,515 S**
(45) **Date of Patent:** **** Jun. 8, 2010**

(54) **DEVICE FOR CLEANING AND/OR DRYING THE HANDLE OF A CART**

(76) Inventor: **Brian P. Dunn**, 120 Huddersfield Road, Penistone, Sheffield (GB) S36 7BX

(**) Term: **14 Years**

(21) Appl. No.: **29/314,471**

(22) Filed: **Apr. 3, 2009**

(51) **LOC (9) Cl.** **04-01**

(52) **U.S. Cl.** **D32/35; D34/27**

(58) **Field of Classification Search** D32/35, D32/40, 51, 52; D4/128, 132, 138, 137; D8/80, 94, 97, 382; 15/143.1, 208-9.1, 210.1, 15/211, 234-5, 244.1-244.3, 229.13, 106, 15/146-7.1, 164; 16/110.1, 2.1, 2.2; D7/393, D7/394, 633; D23/262; D15/143; D12/114; D34/27

See application file for complete search history.

(56) **References Cited**

U.S. PATENT DOCUMENTS

D25,709 S *	6/1896	Pratt	D23/262
2,209,274 A *	7/1940	Jaberg	174/83
3,643,290 A *	2/1972	Milne	16/2.1
D234,847 S *	4/1975	Hoffman	D23/262
D277,232 S *	1/1985	Rasch	D24/129
D285,275 S *	8/1986	Pollitz	D7/633
4,752,652 A *	6/1988	Danti et al.	174/83
5,103,528 A *	4/1992	Olson et al.	16/2.2
D330,208 S *	10/1992	Hawley	D15/143
D341,145 S *	11/1993	Esworthy	D15/143
D347,467 S *	5/1994	Medvick	D23/262
D357,030 S *	4/1995	McKenna	D15/143
D375,600 S *	11/1996	Hirano et al.	D34/27
D426,929 S *	6/2000	Karp et al.	D34/27

D427,668 S *	7/2000	Stout, Jr.	D23/262
D459,732 S *	7/2002	Sasaki et al.	D15/3
D480,195 S *	9/2003	Koerlin et al.	D34/27
D521,207 S *	5/2006	Anderson et al.	D34/27
D523,141 S *	6/2006	Massey	D24/121
D525,008 S *	7/2006	Hubbard	D34/27
D542,657 S *	5/2007	Battegazzore	D9/454
D546,665 S *	7/2007	Medlin	D8/382
D565,707 S *	4/2008	Brockington et al.	D23/262
D577,109 S *	9/2008	Smith et al.	D23/358
D601,930 S *	10/2009	Chen	D12/114
D609,621 S *	2/2010	Chiang	D12/207

* cited by examiner

Primary Examiner—Cathron C Brooks

Assistant Examiner—Austin Murphy

(74) *Attorney, Agent, or Firm*—Robert L. Epstein; Epstein Drangel Bazerman & James, LLP

(57) **CLAIM**

I claim the ornamental design for a device for cleaning and/or drying the handle of a cart, as shown and described.

DESCRIPTION

FIG. 1 is a perspective view of my design;

FIG. 2 is a top elevation view of my design, the bottom being the mirror image thereof;

FIG. 3 is an elevation view showing one side of my design, the other side being the mirror image thereof;

FIG. 4 is a front elevation view of my design, the rear being the mirror image thereof;

FIG. 5 is an exploded perspective view of my design; and,

FIG. 6 is an exploded perspective view of the device for cleaning and/or drying the handle of a cart. The cart handle is shown in dashed lines and forms no part of the invention.

1 Claim, 3 Drawing Sheets

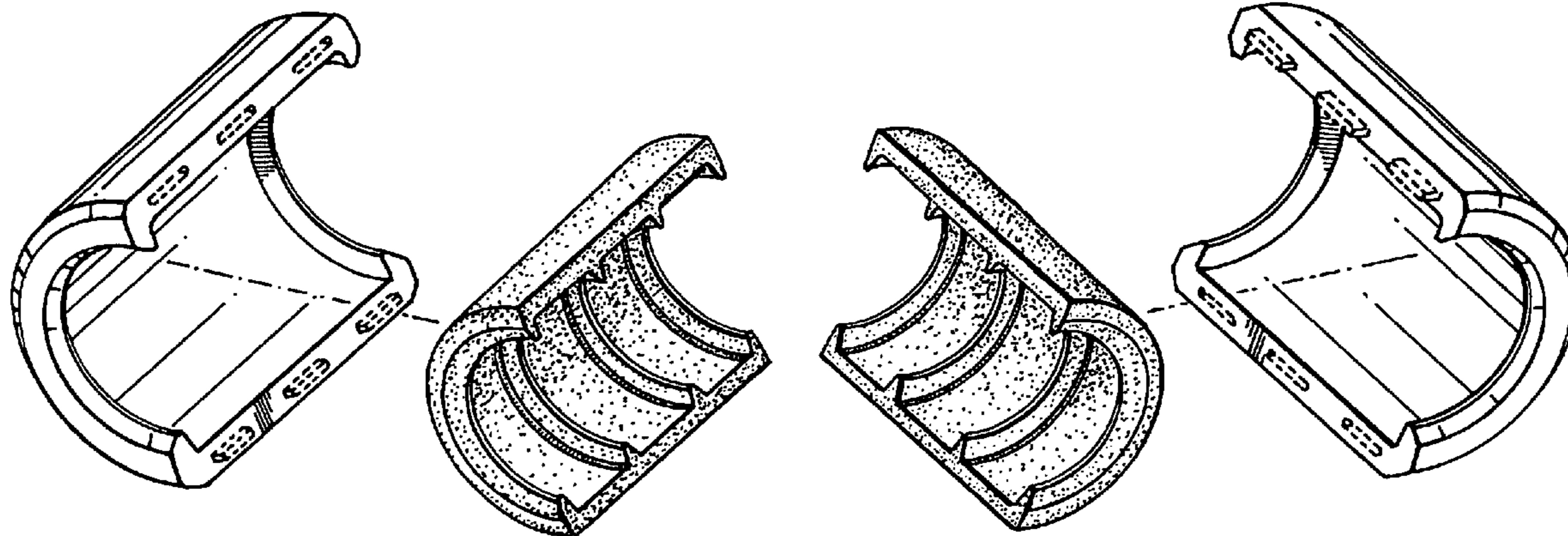


Fig. 1

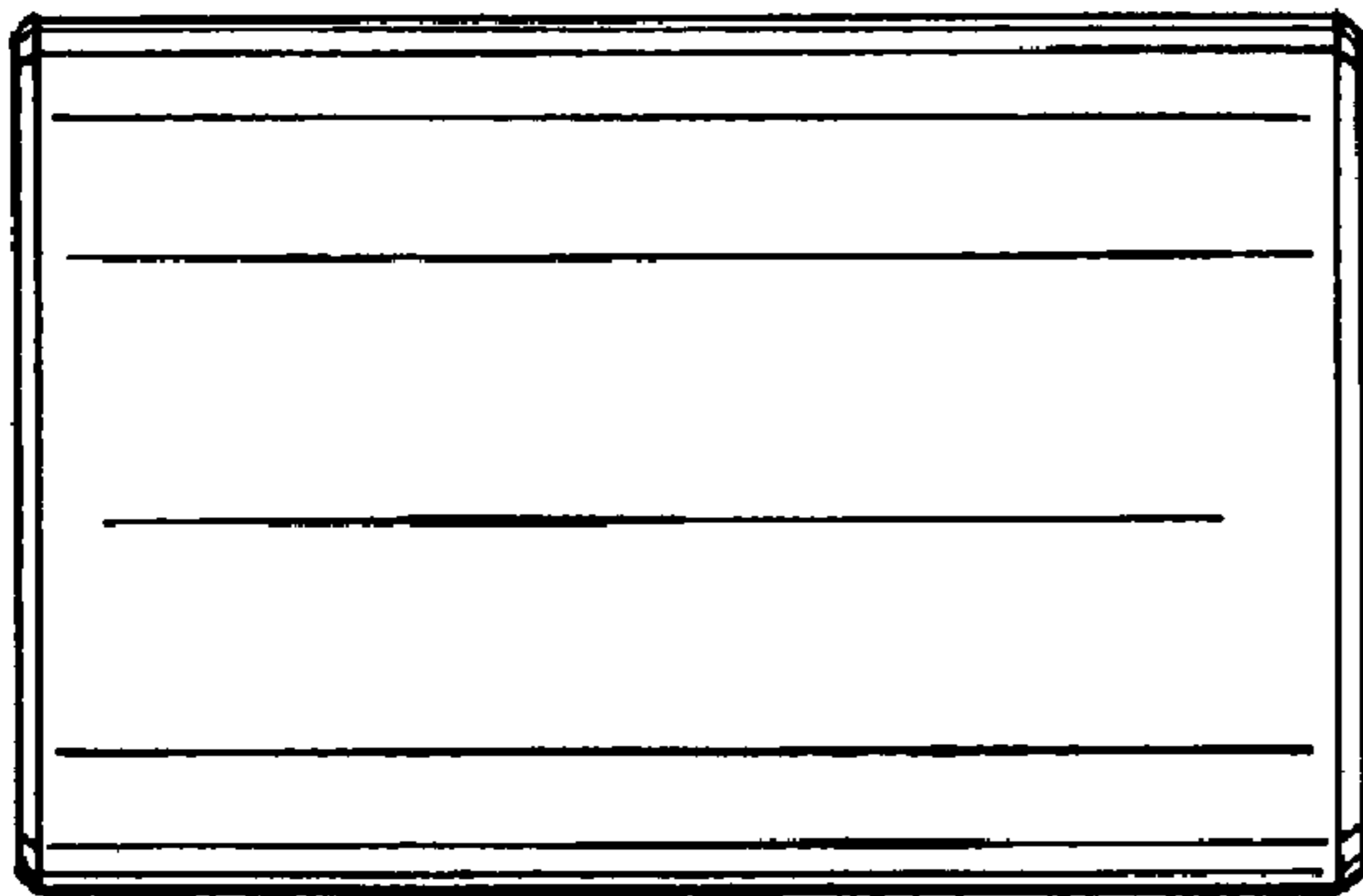
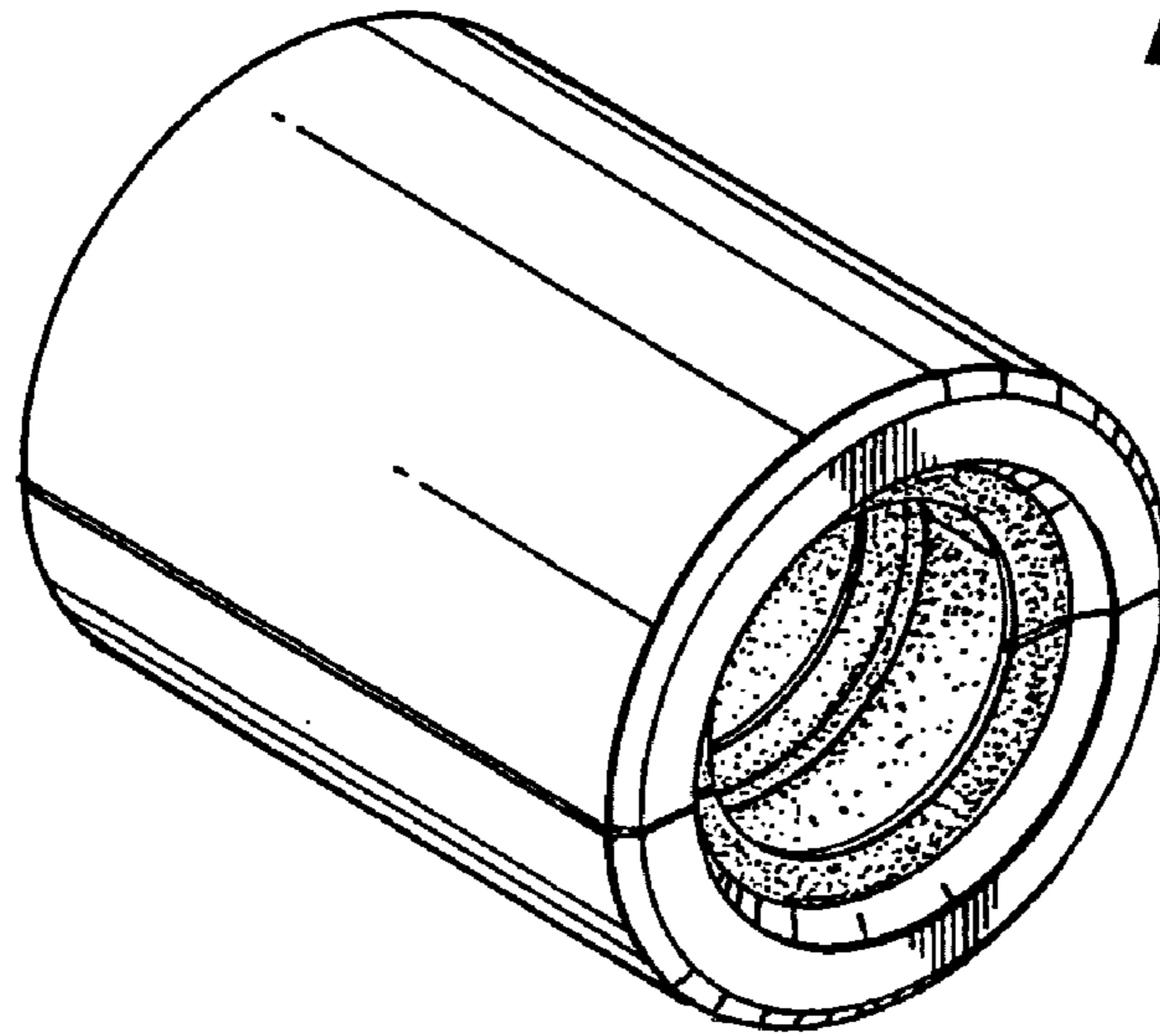


Fig. 2

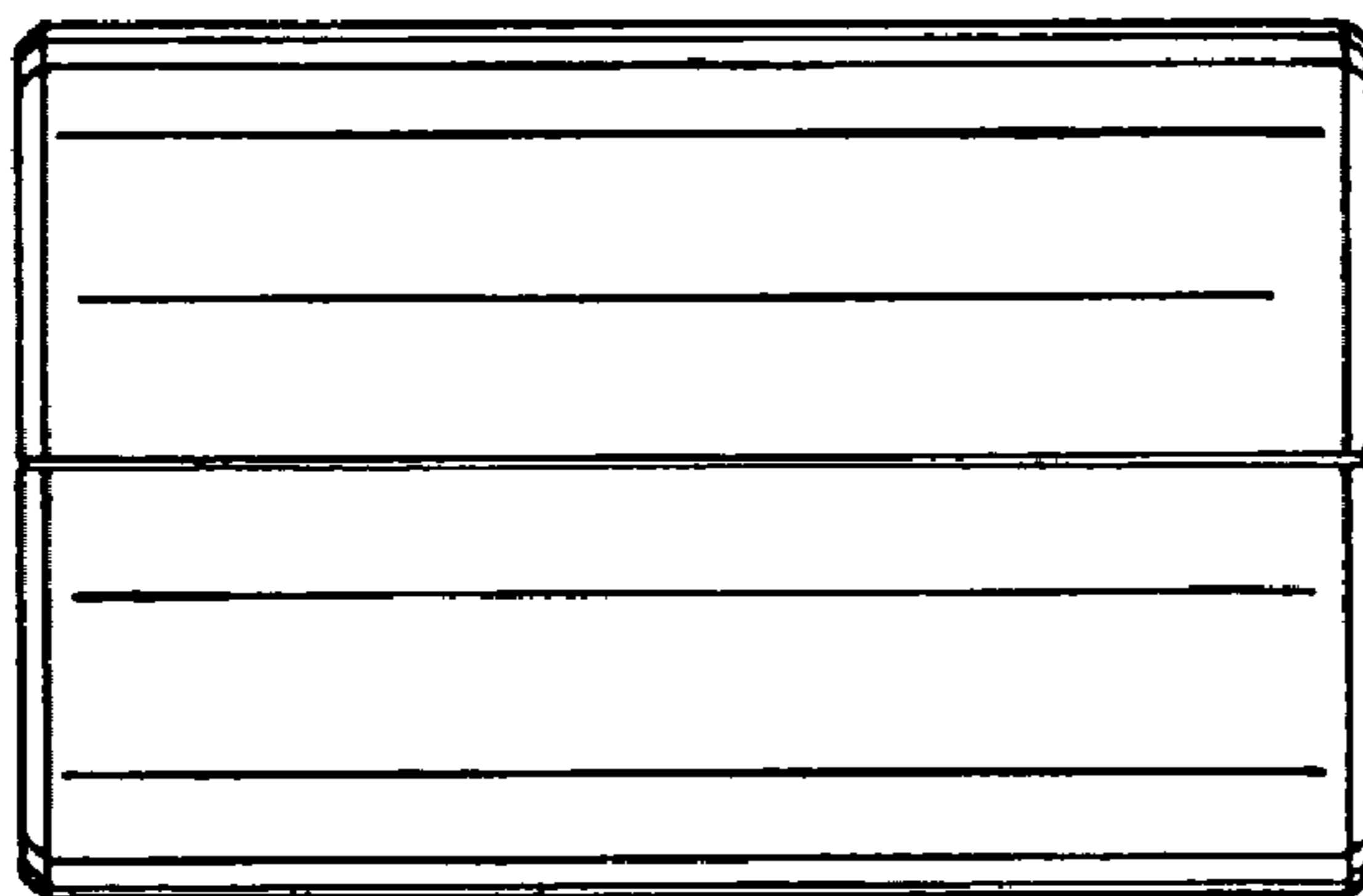


Fig. 3

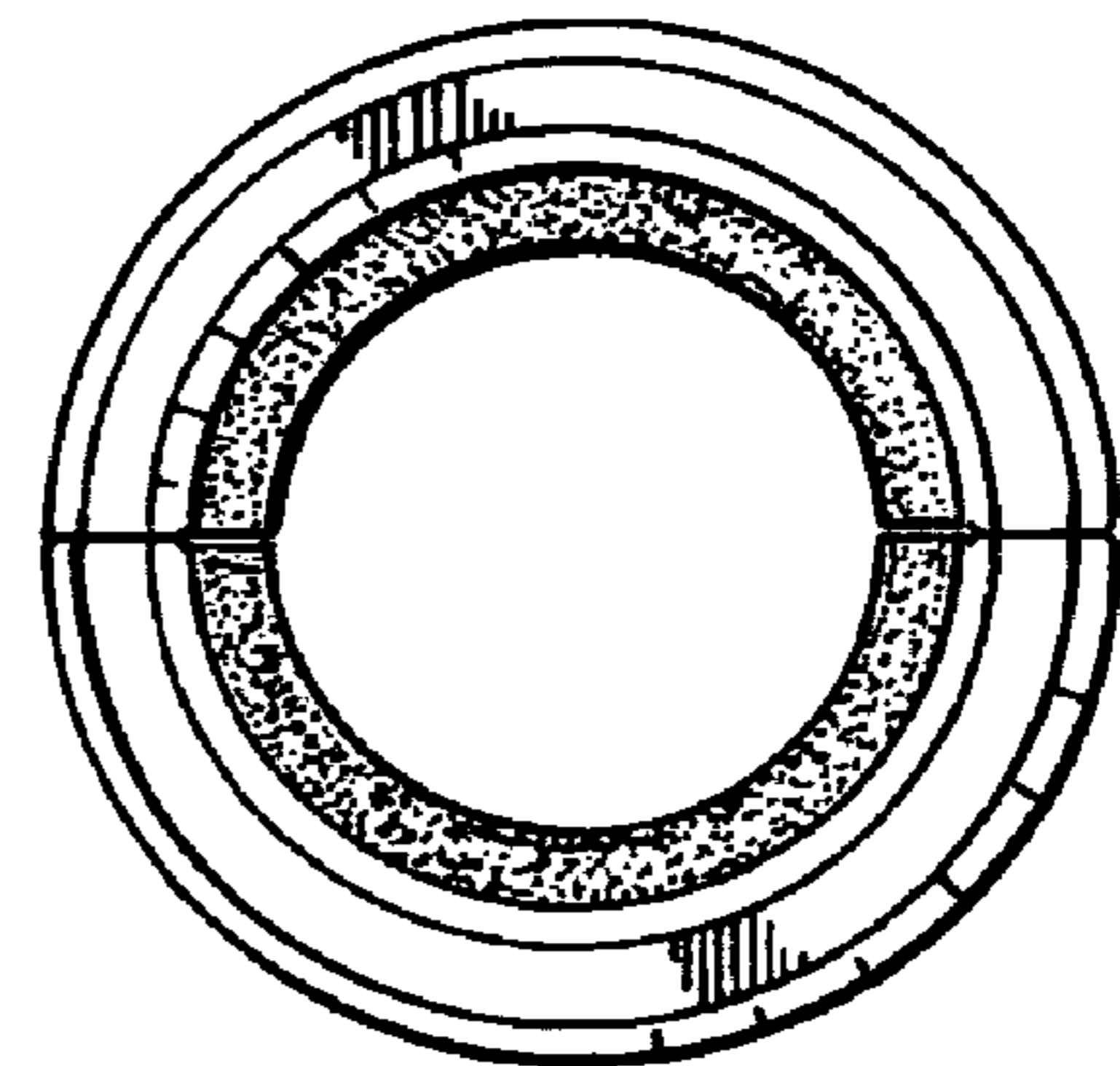


Fig. 4

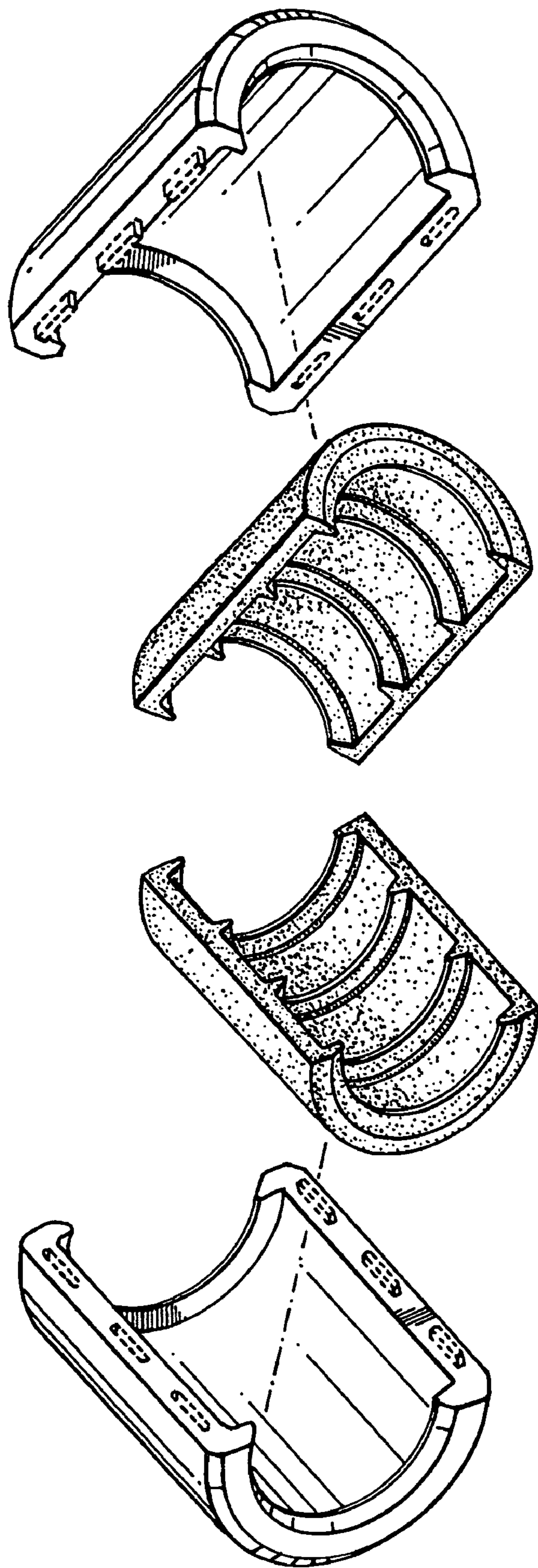


Fig. 5

Fig. 6

