



US00D617514S

(12) **United States Design Patent**  
**Hollis et al.**

(10) **Patent No.:** **US D617,514 S**

(45) **Date of Patent:** **\*\* Jun. 8, 2010**

(54) **COMBINED WET/DRY VACUUM**

(75) Inventors: **Robert Hollis**, St. Peters, MO (US);  
**Shane Glasgow**, Saint Ann, MO (US);  
**Douglas Ritterling**, Chesterfield, MO (US)

(73) Assignee: **Emerson Electric Co.**, St. Louis, MO (US)

(\*\*) Term: **14 Years**

(21) Appl. No.: **29/344,766**

(22) Filed: **Oct. 3, 2009**

(51) **LOC (9) Cl.** ..... **15-05**

(52) **U.S. Cl.** ..... **D32/31**

(58) **Field of Classification Search** ..... D32/21,  
D32/23, 31; 15/327.1, 327.2, 327.4, 327.5,  
15/327.7, 320-321, 323, 301, 312.1, 314,  
15/353, 412, 347; 220/23.83, 23.6

See application file for complete search history.

(56) **References Cited**

**U.S. PATENT DOCUMENTS**

D362,522 S *	9/1995	Kohler	.....	D32/23
D470,281 S *	2/2003	Griffin et al.	.....	D32/23
D587,414 S *	2/2009	Griffin et al.	.....	D32/31
D588,761 S *	3/2009	Griffin	.....	D32/31

2008/0072396 A1\* 3/2008 Baer et al. .... 15/327.1  
2009/0282640 A1\* 11/2009 Sang et al. .... 15/347

\* cited by examiner

*Primary Examiner*—Ruth McInroy

(74) *Attorney, Agent, or Firm*—Locke Lord Bissell & Liddell LLP

(57) **CLAIM**

The ornamental design for a combined wet/dry vacuum, as shown and described.

**DESCRIPTION**

FIG. 1 is a front perspective view of a combined wet/dry vacuum showing our new design;

FIG. 2 is a front elevational view thereof;

FIG. 3 is a back elevational view thereof;

FIG. 4 is a side view thereof;

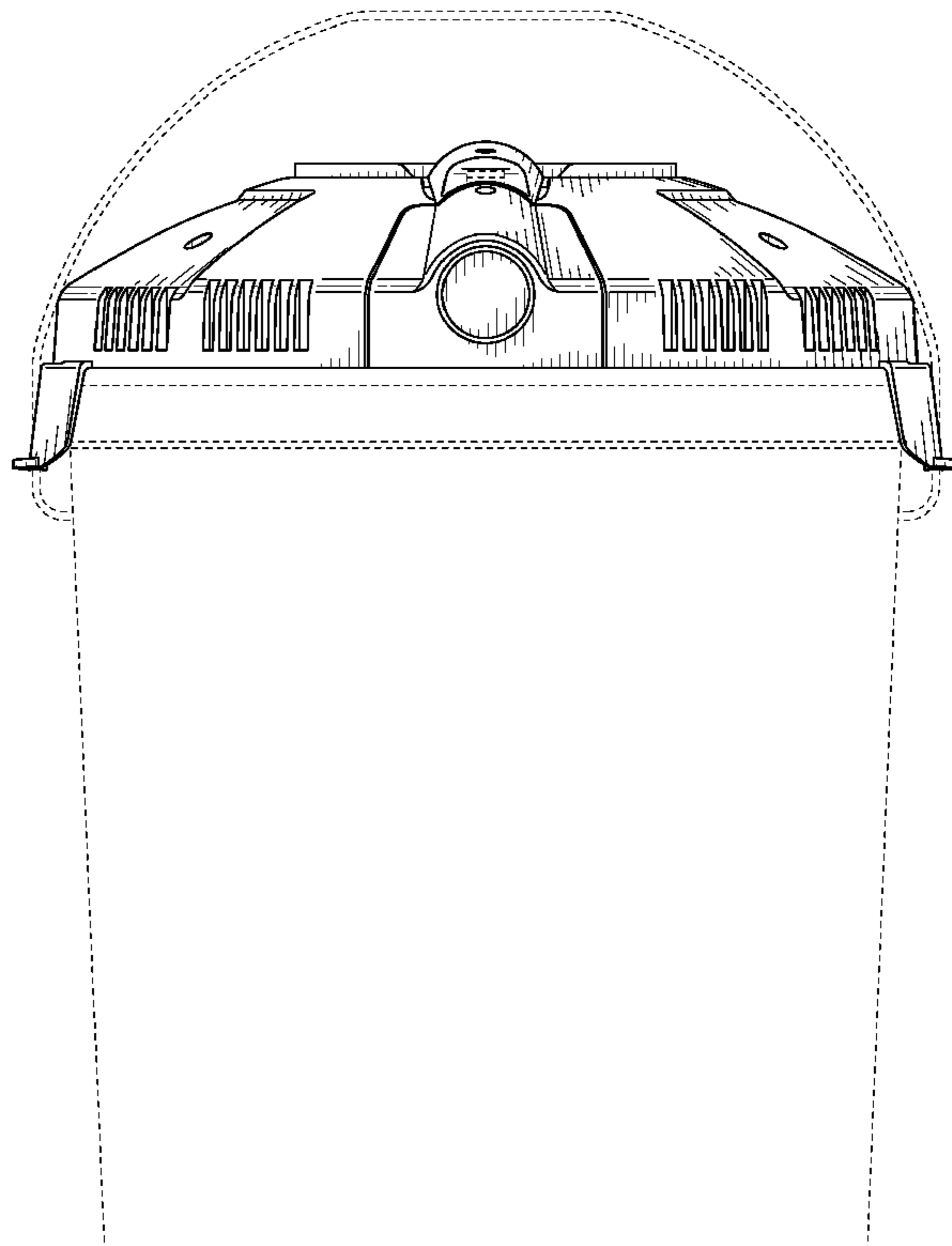
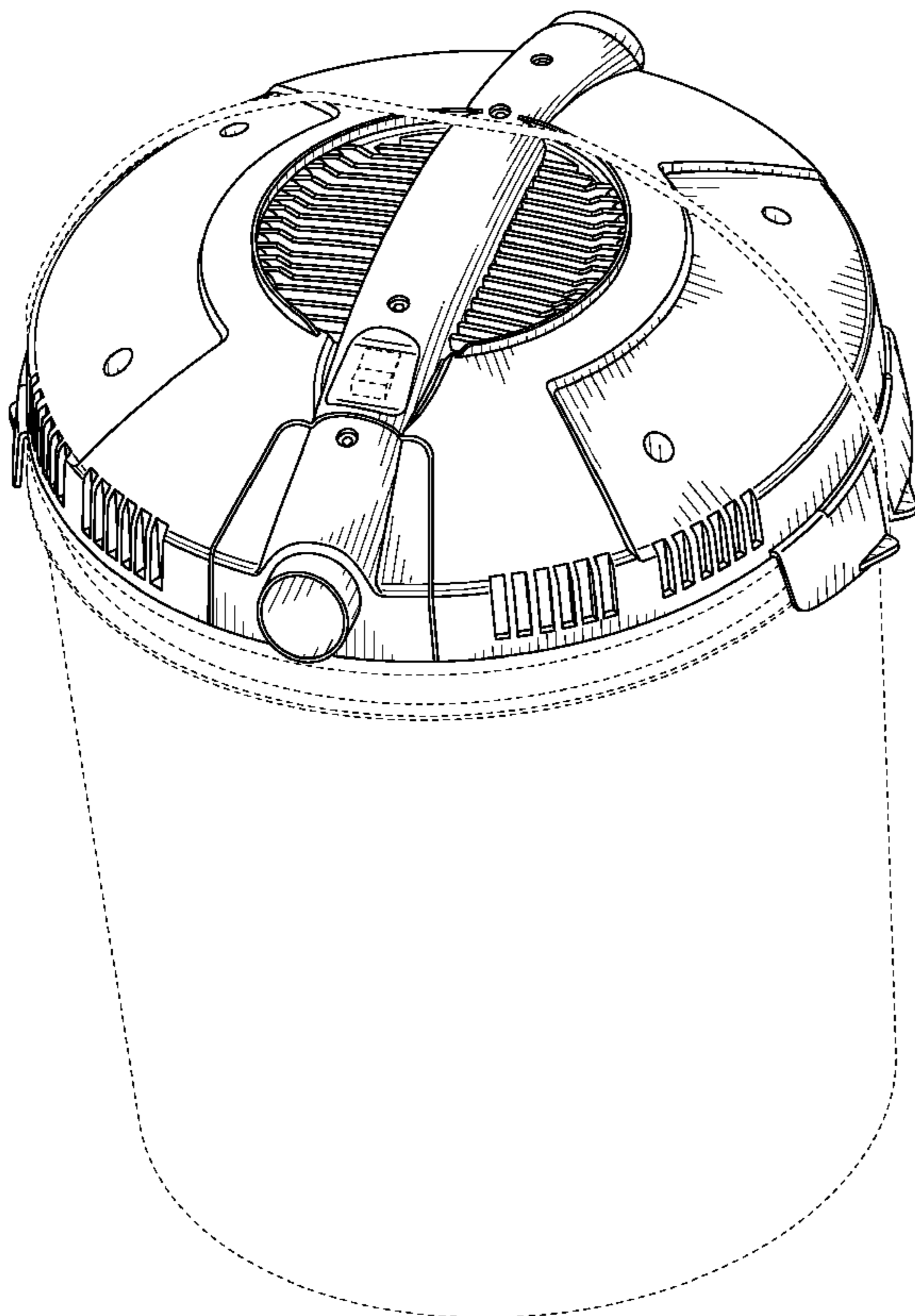
FIG. 5 is a side view of the opposite side of FIG. 4;

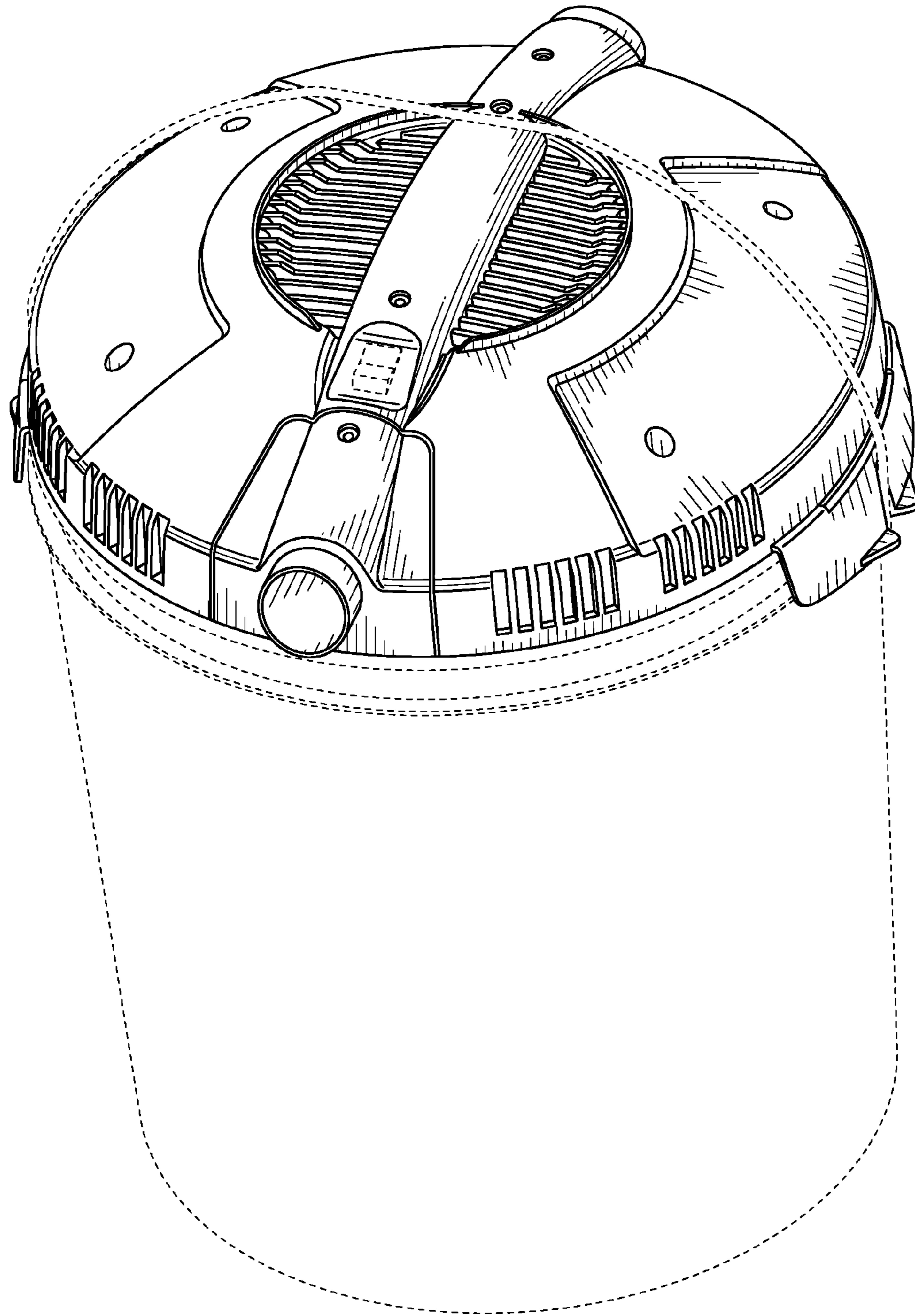
FIG. 6 is a top plan view thereof; and,

FIG. 7 is a bottom plan view thereof in place within the open end of a bucket.

The broken line showing of a bucket in the Figures is for the purpose of illustrating exemplary environmental structure and forms no part of the claimed design.

**1 Claim, 7 Drawing Sheets**





**FIG. 1**

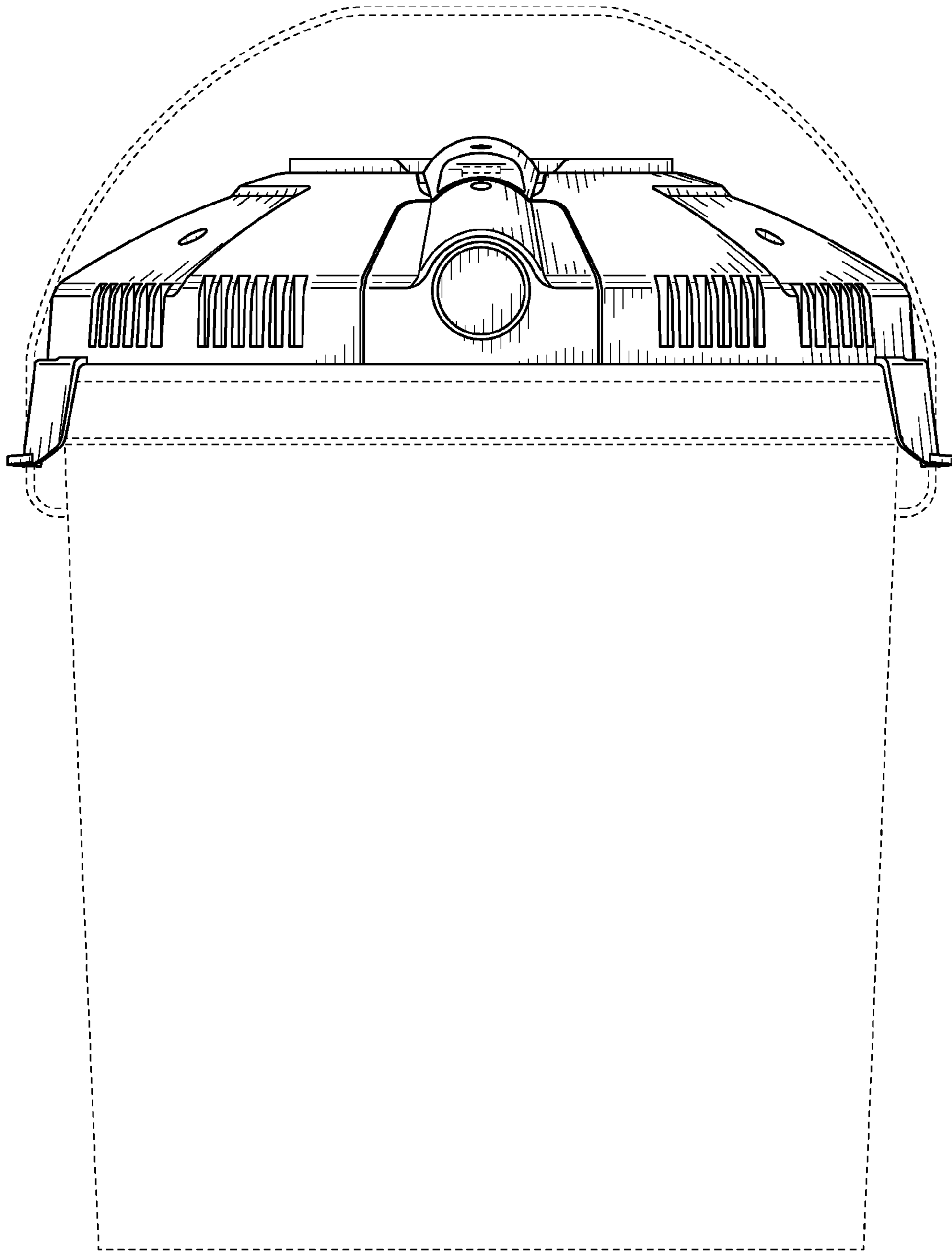


FIG. 2

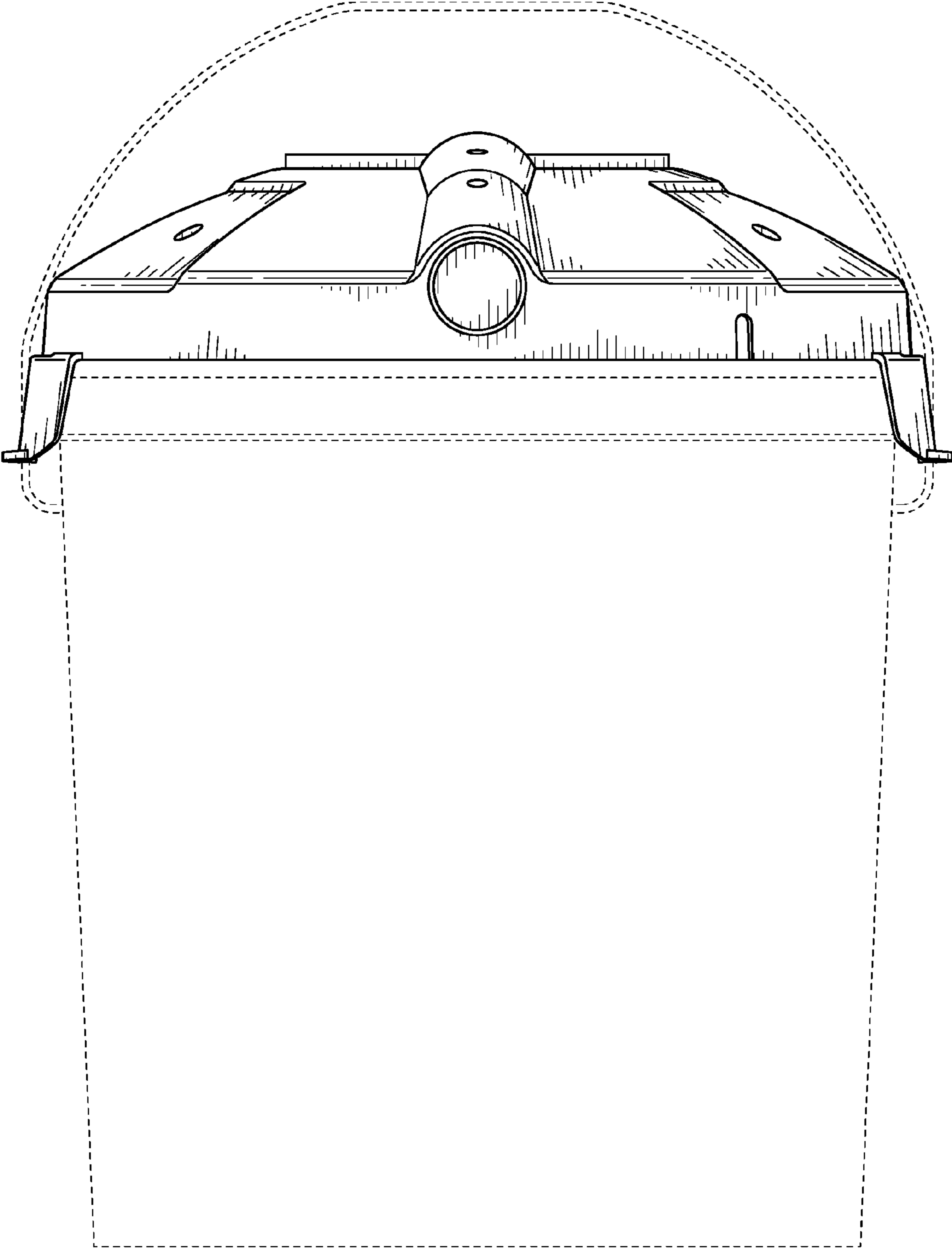
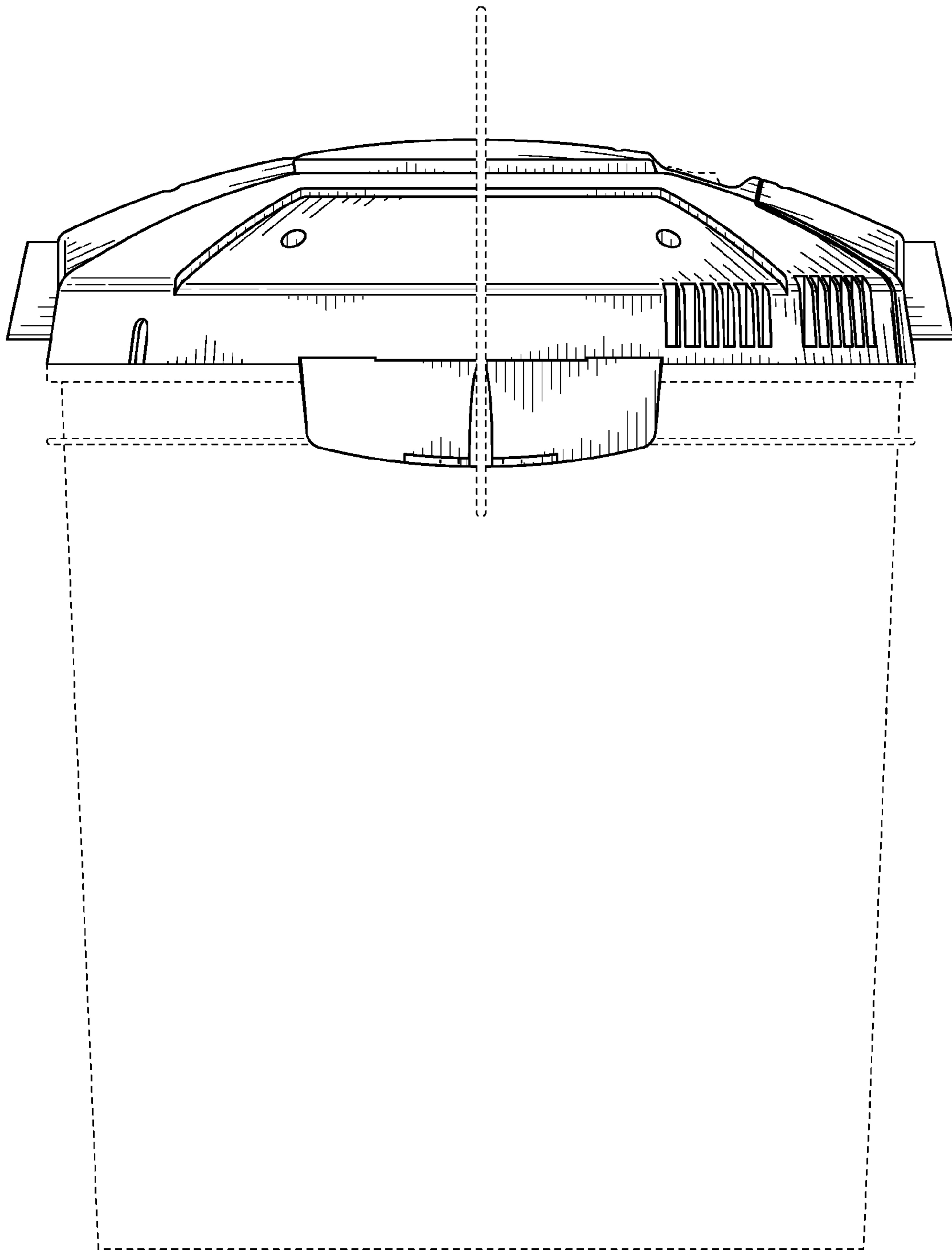
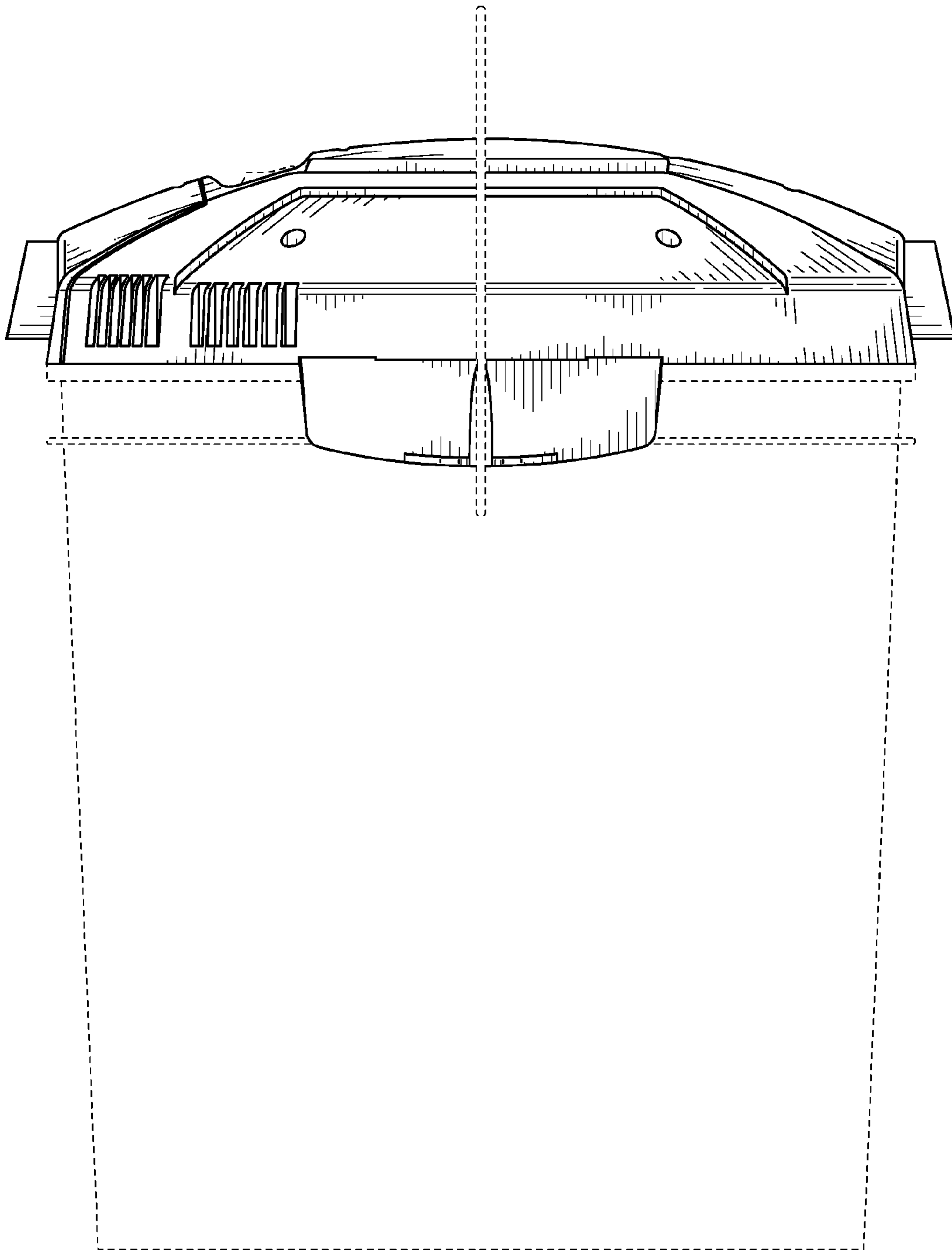


FIG. 3



**FIG. 4**



**FIG. 5**



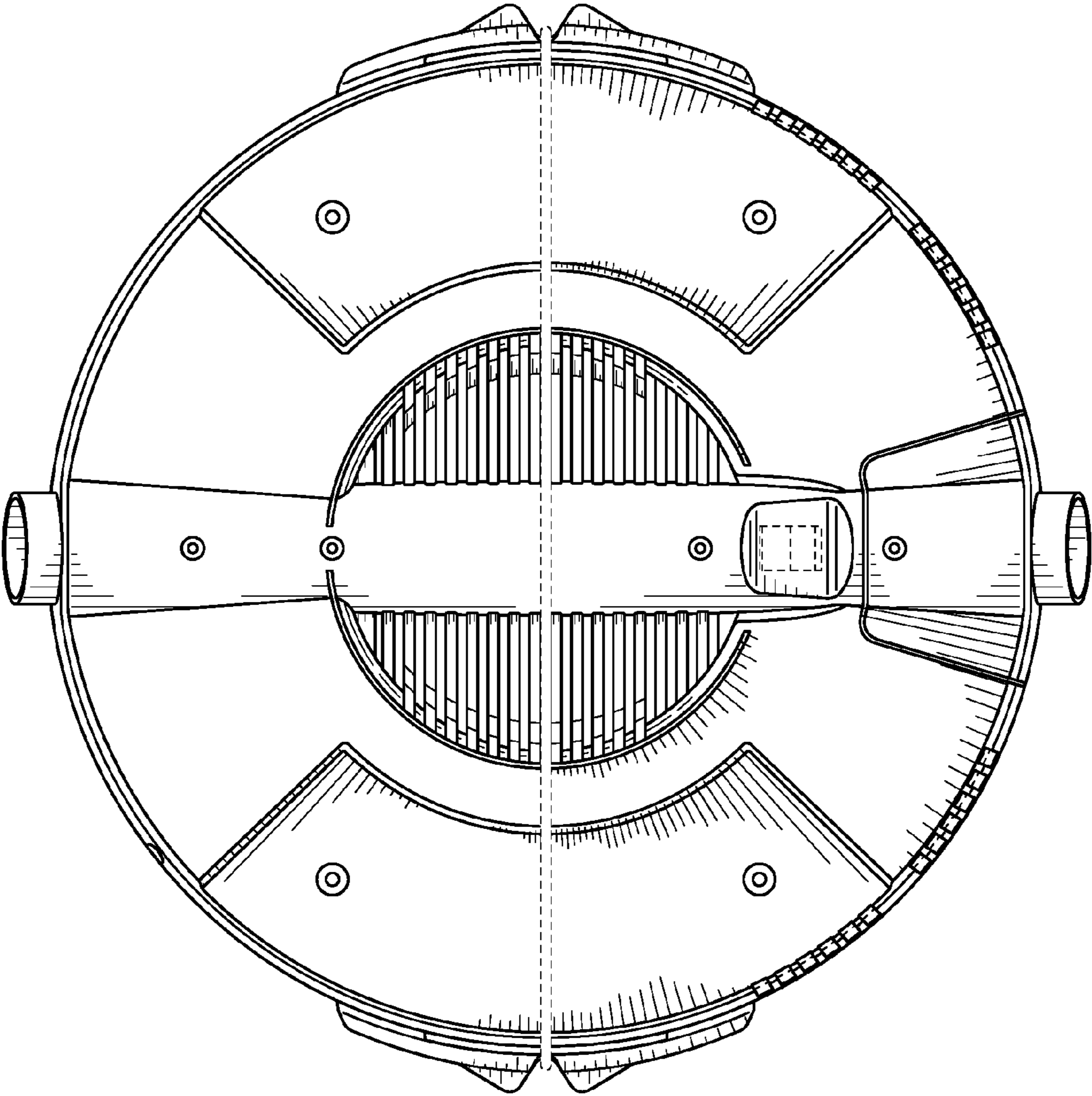
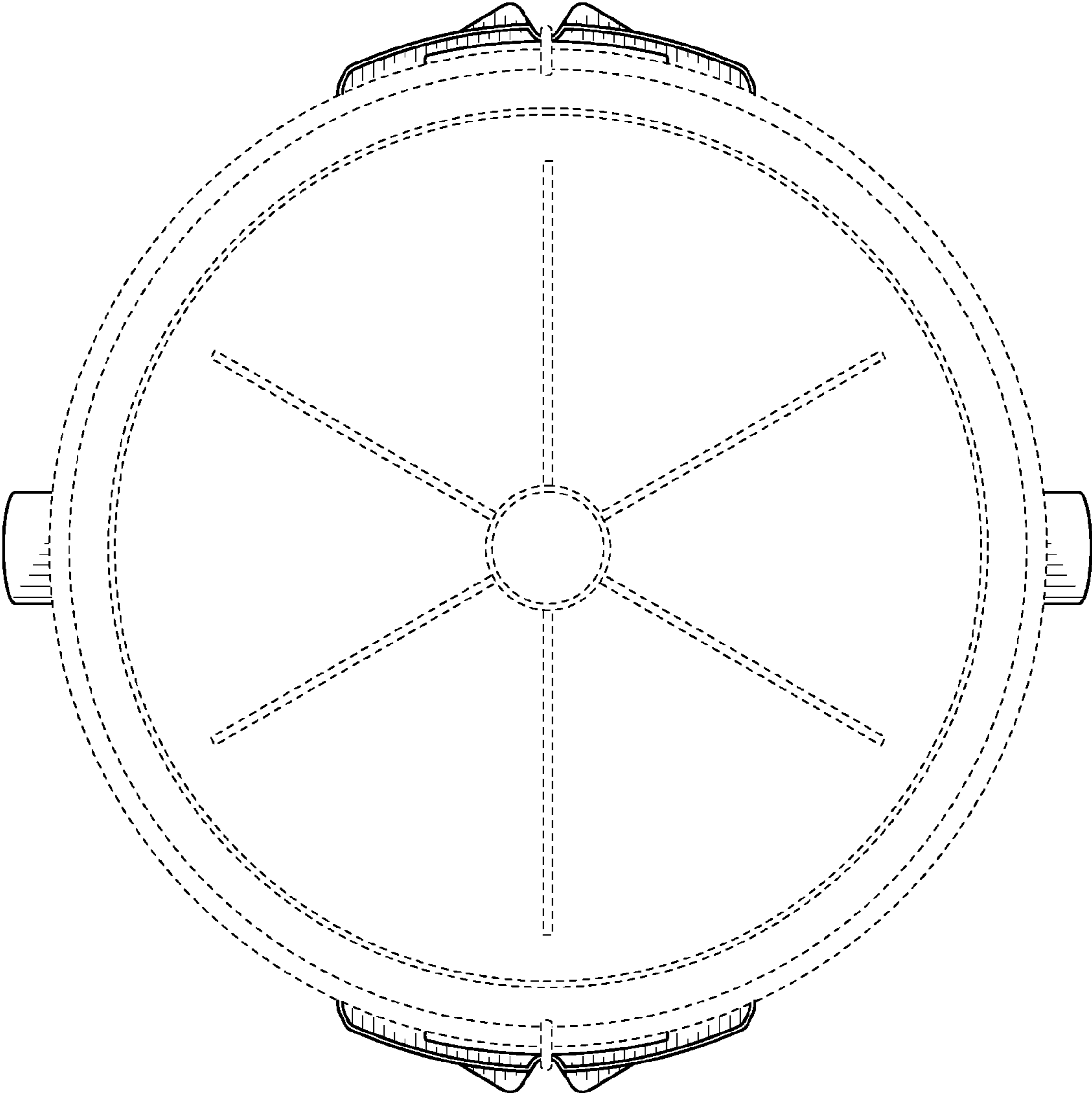


FIG. 6



**FIG. 7**