



US00D617510S

(12) **United States Design Patent**  
**Kaczmarek**

(10) **Patent No.:** **US D617,510 S**  
(45) **Date of Patent:** **\*\* Jun. 8, 2010**

- (54) **DISHWASHER CONTROL PANEL**
- (75) Inventor: **Wolfgang Kaczmarek**, Schwindegg (DE)
- (73) Assignee: **BSH Bosch und Siemens Hausgeraete GmbH**, Munich (DE)
- (\*\*) Term: **14 Years**
- (21) Appl. No.: **29/313,265**
- (22) Filed: **Dec. 19, 2008**
- (30) **Foreign Application Priority Data**  
Jul. 8, 2008 (EM) ..... 000973557
- (51) **LOC (9) Cl.** ..... **15-05**
- (52) **U.S. Cl.** ..... **D32/3**
- (58) **Field of Classification Search** ..... D3/1-3, D3/28; D7/340, 348-351, 405; 68/212; 312/31; 134/56 D, 57 D, 58 DL, 113, 201  
See application file for complete search history.

- D543,321 S \* 5/2007 Jeon et al. .... D32/2
- D559,478 S \* 1/2008 Jung et al. .... D32/2
- D568,563 S \* 5/2008 Stephens ..... D32/28

\* cited by examiner

*Primary Examiner*—T. Chase Nelson  
*Assistant Examiner*—Kathleen M Sims  
(74) *Attorney, Agent, or Firm*—James E. Howard; Andre Pallapies

(57) **CLAIM**

The ornamental design for a dishwasher control panel, as shown and described.

**DESCRIPTION**

FIG. 1 is a perspective view of a first embodiment of a dishwasher control panel showing my new ornamental design;

FIG. 2 is a top view thereof;

FIG. 3 is a perspective view of a second embodiment of a dishwasher control panel showing my new ornamental design;

FIG. 4 is a top view thereof

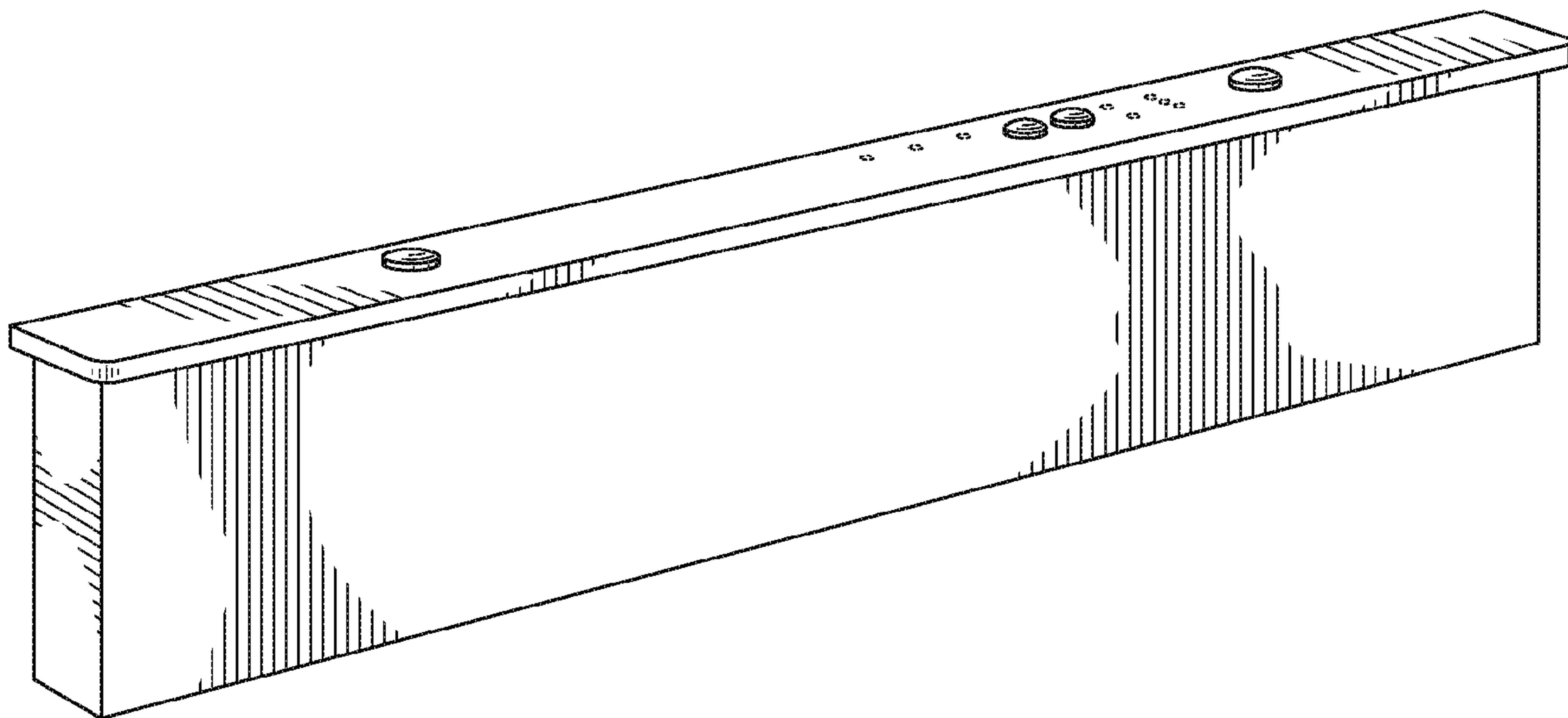
FIG. 5 is a perspective view of a third embodiment of a dishwasher control panel showing my new ornamental design; and,

FIG. 6 is a top plan view thereof.

The broken line showing of small circular details in FIGS. 1-6 is included for the purpose of showing environmental portions of the dishwasher control panel and forms no part of the claimed design.

- (56) **References Cited**  
U.S. PATENT DOCUMENTS
- D310,616 S \* 9/1990 Murai et al. .... D7/351
- 5,365,959 A \* 11/1994 Favaro ..... 134/113
- D501,963 S \* 2/2005 Kaczmarek ..... D32/3
- D511,870 S \* 11/2005 Paik ..... D32/2
- D512,543 S \* 12/2005 Jeong ..... D32/2
- D513,548 S \* 1/2006 Jeong ..... D32/2
- D515,255 S \* 2/2006 Jeong ..... D32/3
- D527,572 S \* 9/2006 Lee et al. .... D7/350.1
- D539,992 S \* 4/2007 Yamamoto et al. .... D32/2

**1 Claim, 6 Drawing Sheets**



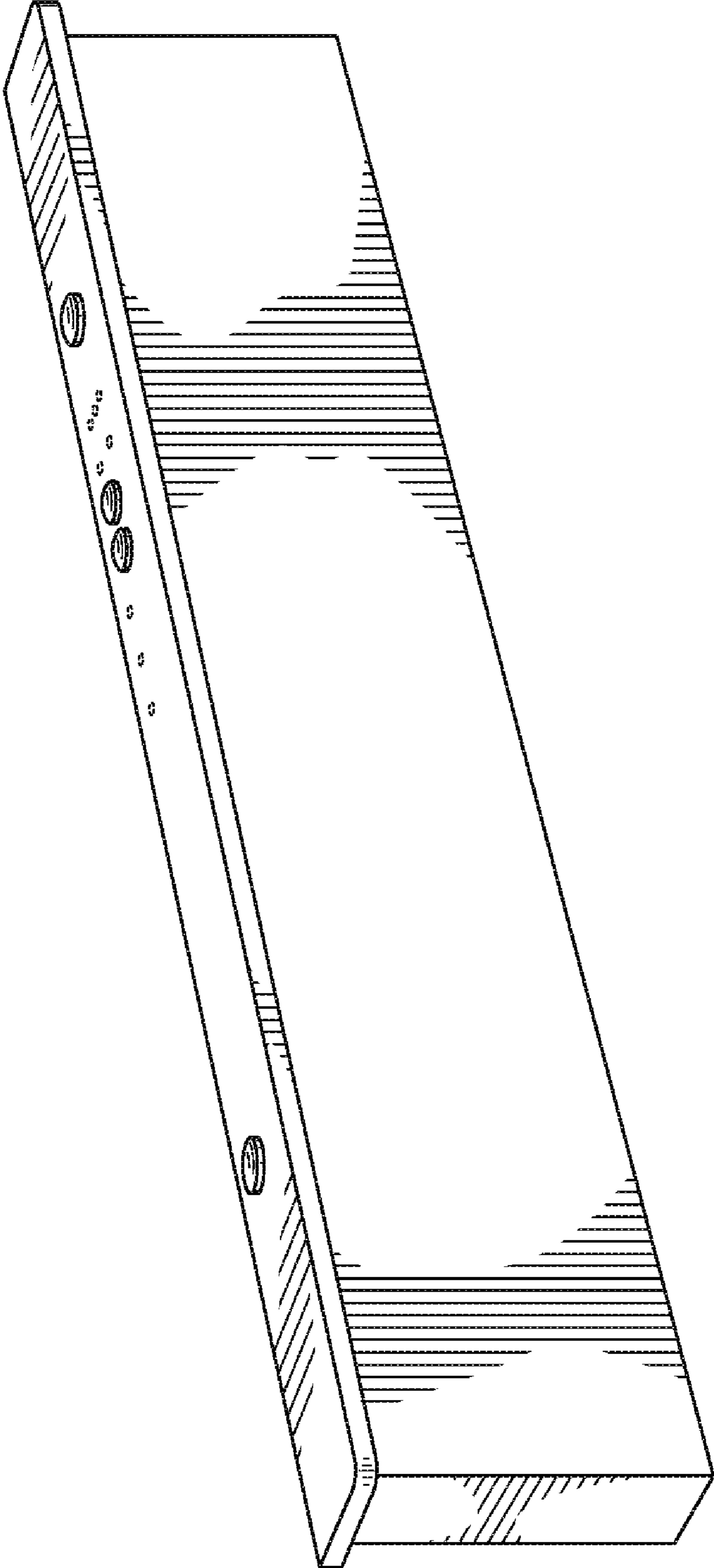


Fig. 1

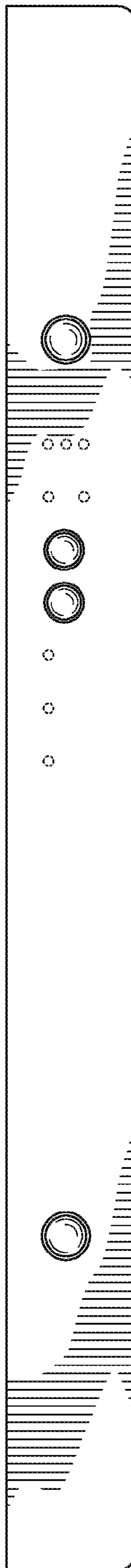


Fig. 2

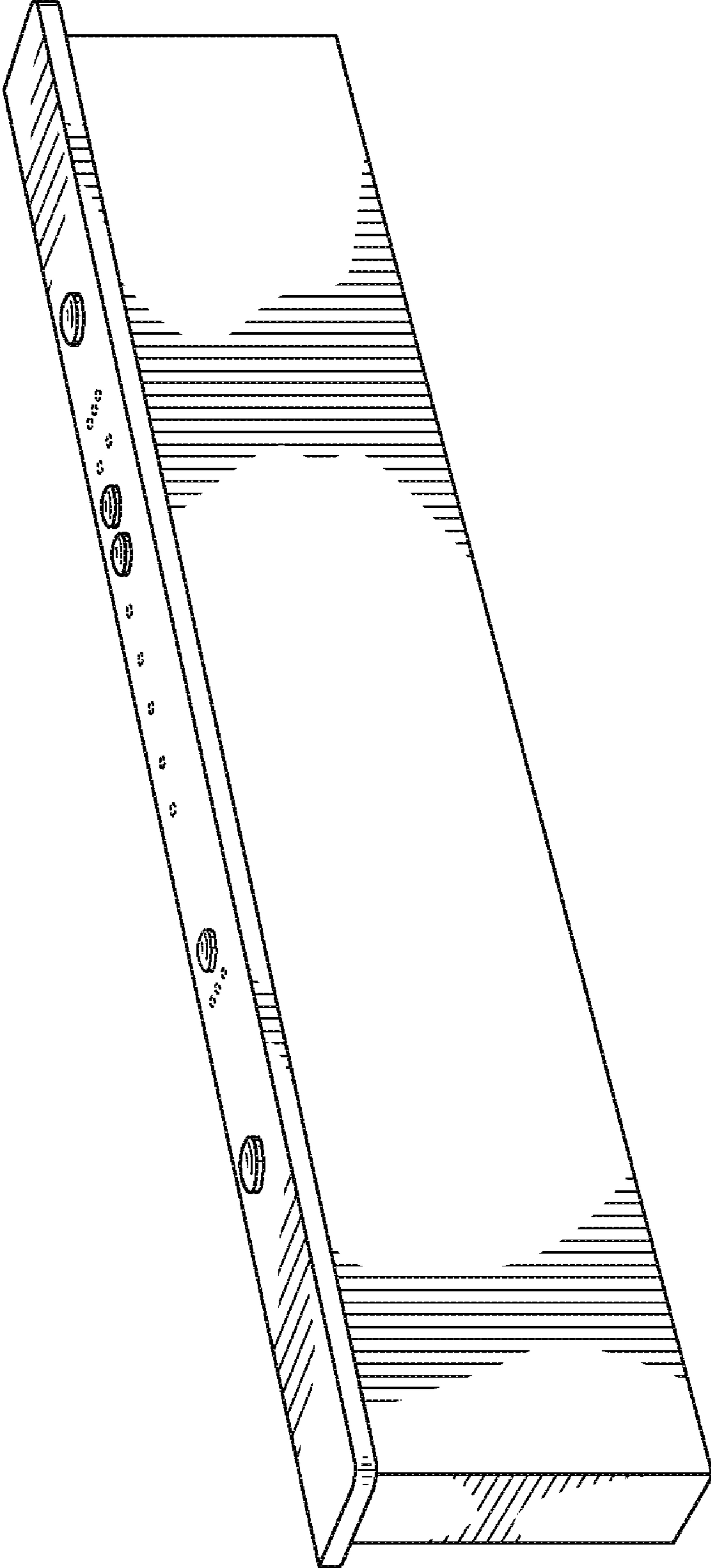


Fig. 3

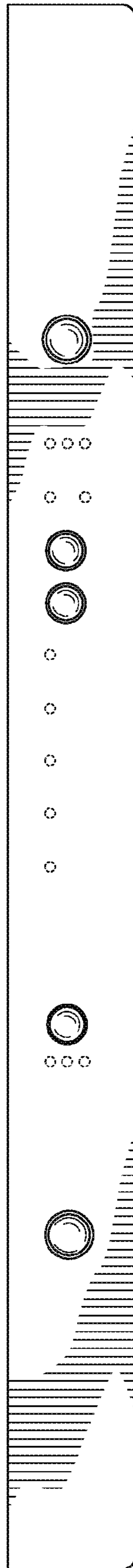


Fig. 4

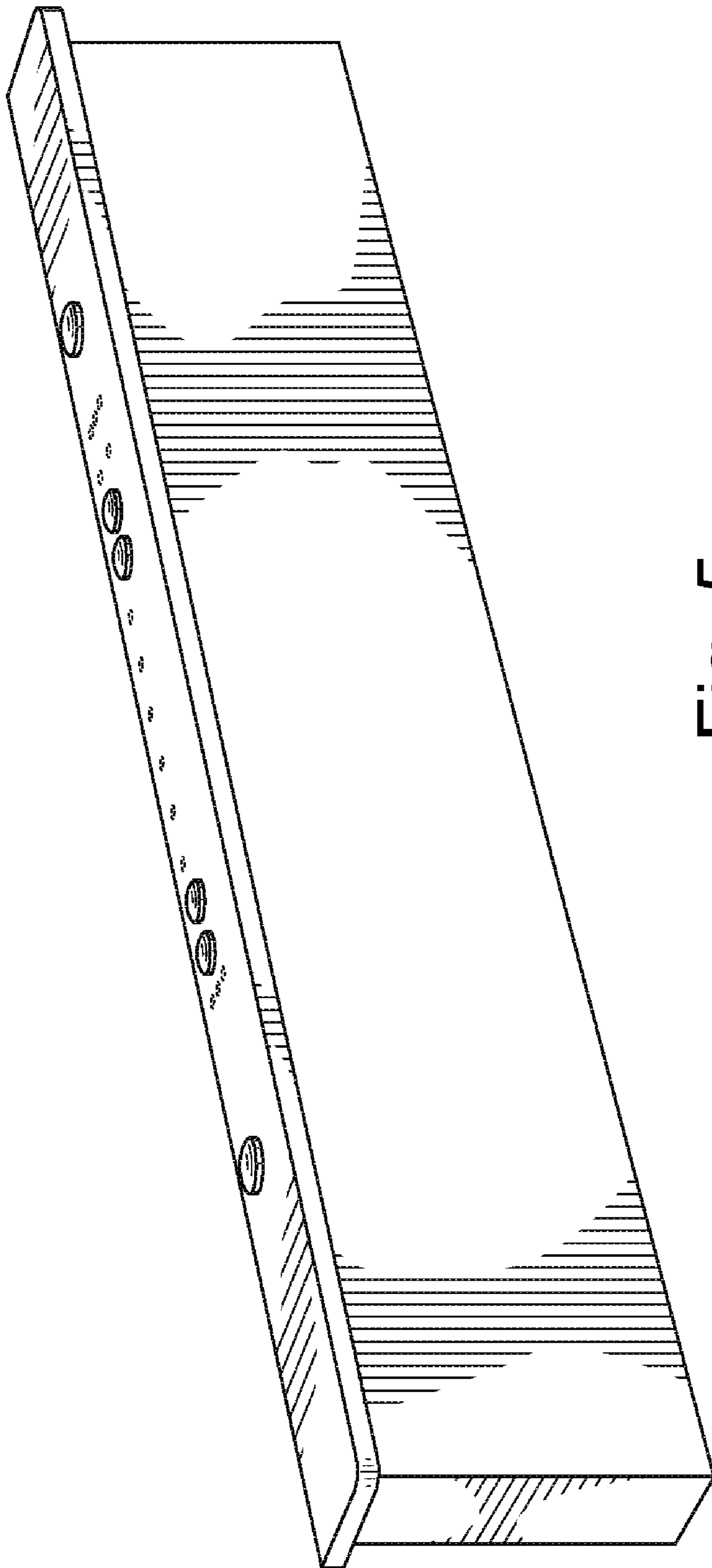


Fig. 5

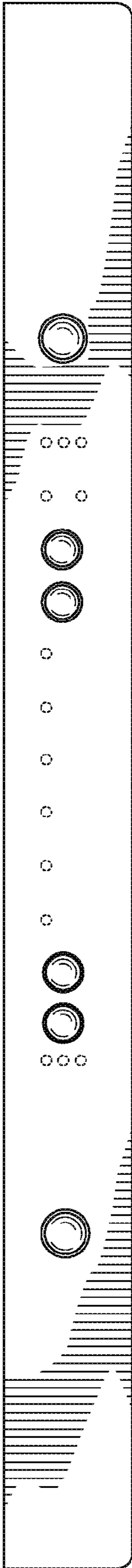


Fig. 6