



US00D617509S

(12) **United States Design Patent**
Rutherford

(10) **Patent No.:** **US D617,509 S**
(45) **Date of Patent:** **** Jun. 8, 2010**

(54) **PET TOY**

(75) Inventor: **Ryan Rutherford**, Belleville, NJ (US)

(73) Assignee: **J.W. Pet Company, Inc.**, Teterboro, NJ (US)

(**) Term: **14 Years**

(21) Appl. No.: **29/256,104**

(22) Filed: **Mar. 15, 2006**

(51) **LOC (9) Cl.** **30-99**

(52) **U.S. Cl.** **D30/160**

(58) **Field of Classification Search** D30/160,
D30/108, 112, 118-119; D21/498, 707,
D21/713-714, 405, 484, 486, 611, 617, 621,
D21/649; 119/702-703, 706-711; 273/118 D,
273/153 R, 288; 434/278; 446/46, 108,
446/125, 369, 419; 473/571, 595; D24/193-195;
606/235; 441/81

See application file for complete search history.

(56) **References Cited**

U.S. PATENT DOCUMENTS

2,211,330	A	8/1940	Hochberg	
3,633,587	A	1/1972	Hunt	
4,850,927	A *	7/1989	Caranica	446/369
4,991,847	A	2/1991	Rudell et al.	
5,048,829	A *	9/1991	Prokupek	473/595
D372,750	S	8/1996	Schloss	
D385,002	S	10/1997	Schloss	
6,003,470	A *	12/1999	Budman	119/711
D453,240	S *	1/2002	Simon	D30/160
D456,959	S *	5/2002	Simon	D30/160

D468,378	S *	1/2003	Routzong	D21/707
D498,274	S *	11/2004	Wechsler	D21/707
D501,520	S *	2/2005	Fraze	D21/707
D505,492	S *	5/2005	Listenberger	D24/194
D520,579	S *	5/2006	Trowers	D21/713
7,044,820	B2 *	5/2006	Ladisa	441/81
7,250,014	B2	7/2007	Trowers	
D579,157	S	10/2008	Edwards	
2007/0072712	A1	3/2007	Chernick et al.	

OTHER PUBLICATIONS

Non-final Office Action from corresponding U.S. Appl. No. 29/306,781.

* cited by examiner

Primary Examiner—Cathy Anne MacCormac

(74) *Attorney, Agent, or Firm*—Katten Muchin Rosenman LLP

(57) **CLAIM**

The ornamental design for a pet toy, as shown and described.

DESCRIPTION

FIG. 1 is a perspective view of my pet toy showing my new design;

FIG. 2 is a front view thereof;

FIG. 3 is a rear view thereof;

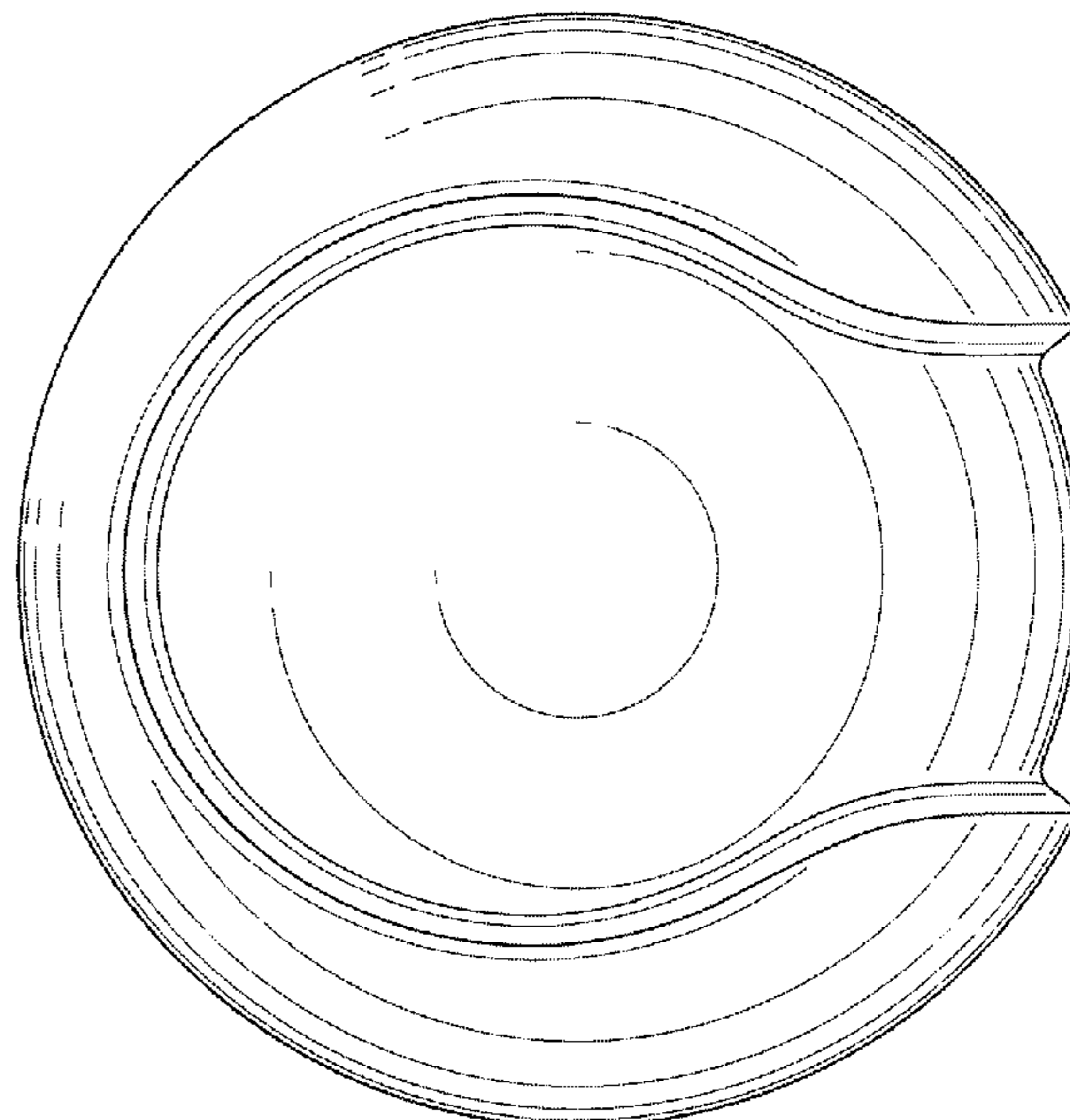
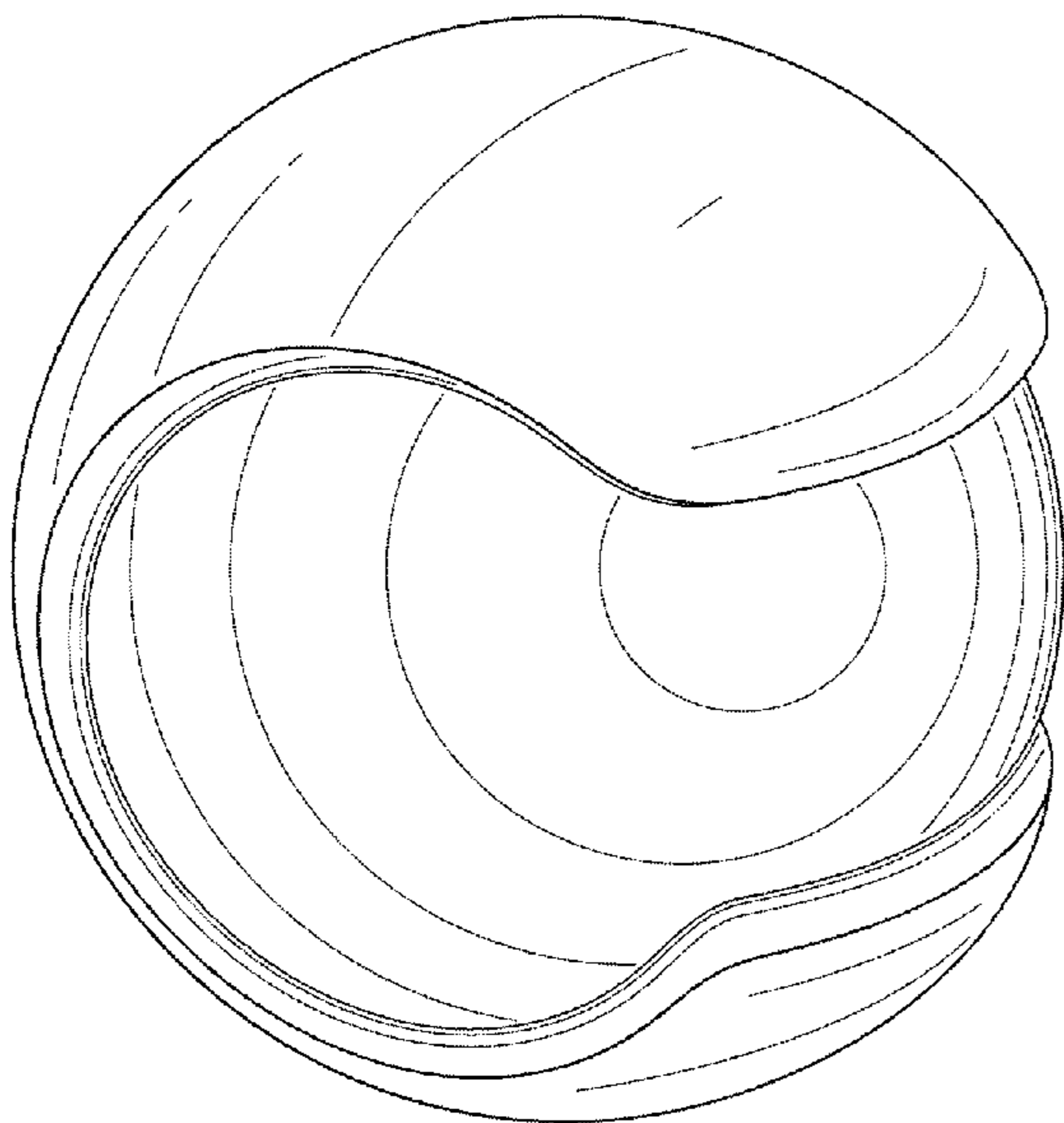
FIG. 4 is a left side view thereof;

FIG. 5 is a right side view thereof;

FIG. 6 is a top view thereof; and,

FIG. 7 is a bottom view thereof.

1 Claim, 4 Drawing Sheets



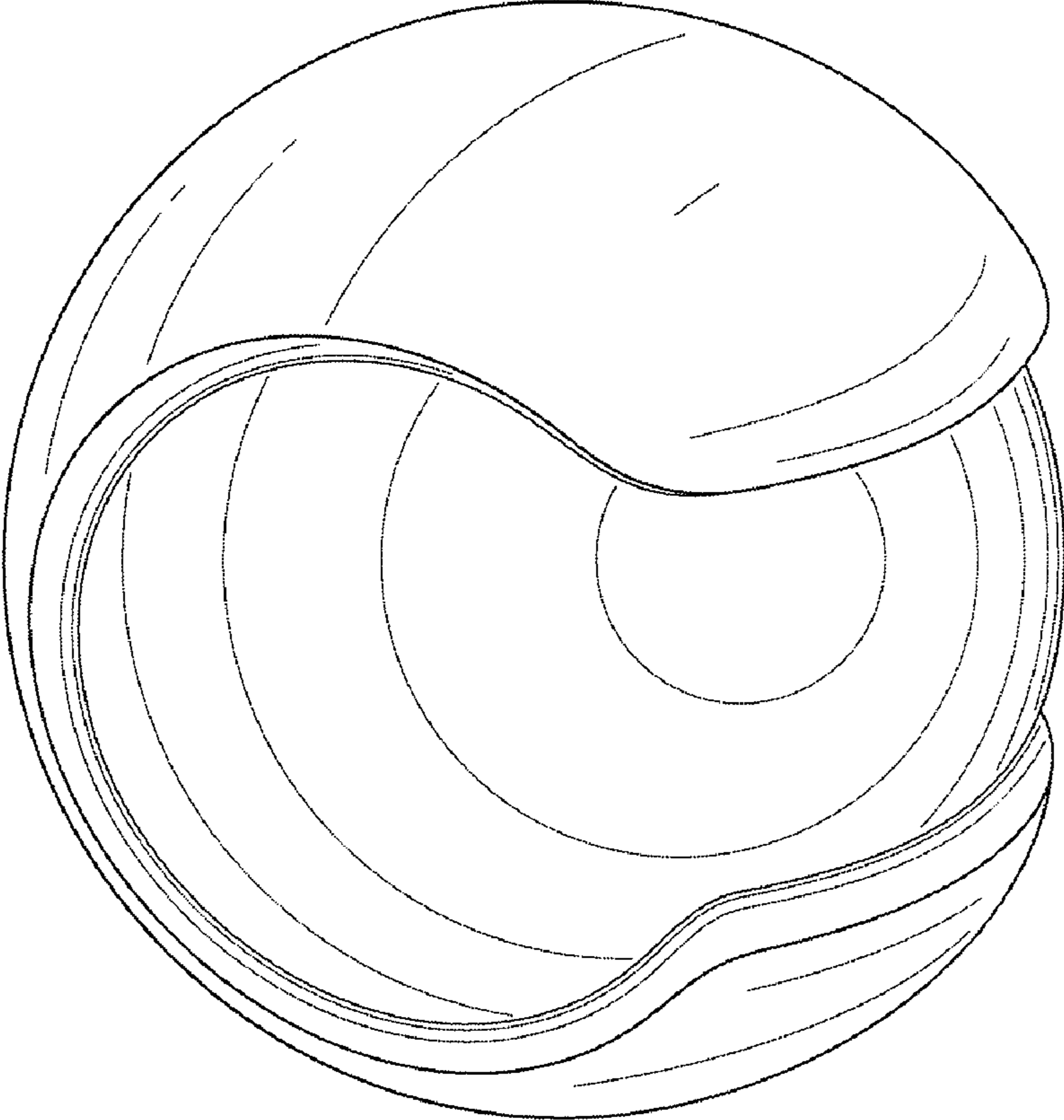


FIG. 1

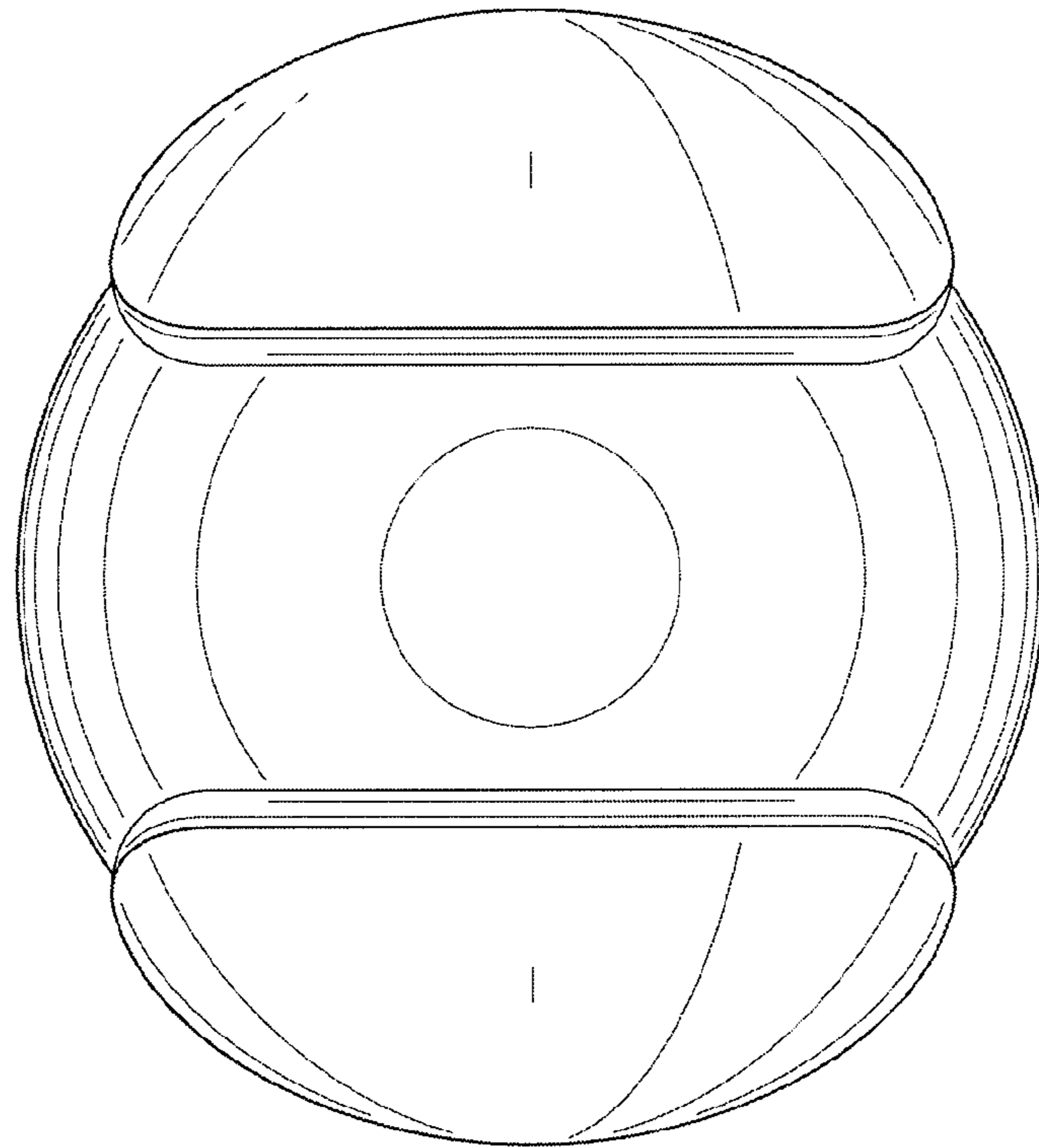


FIG. 2

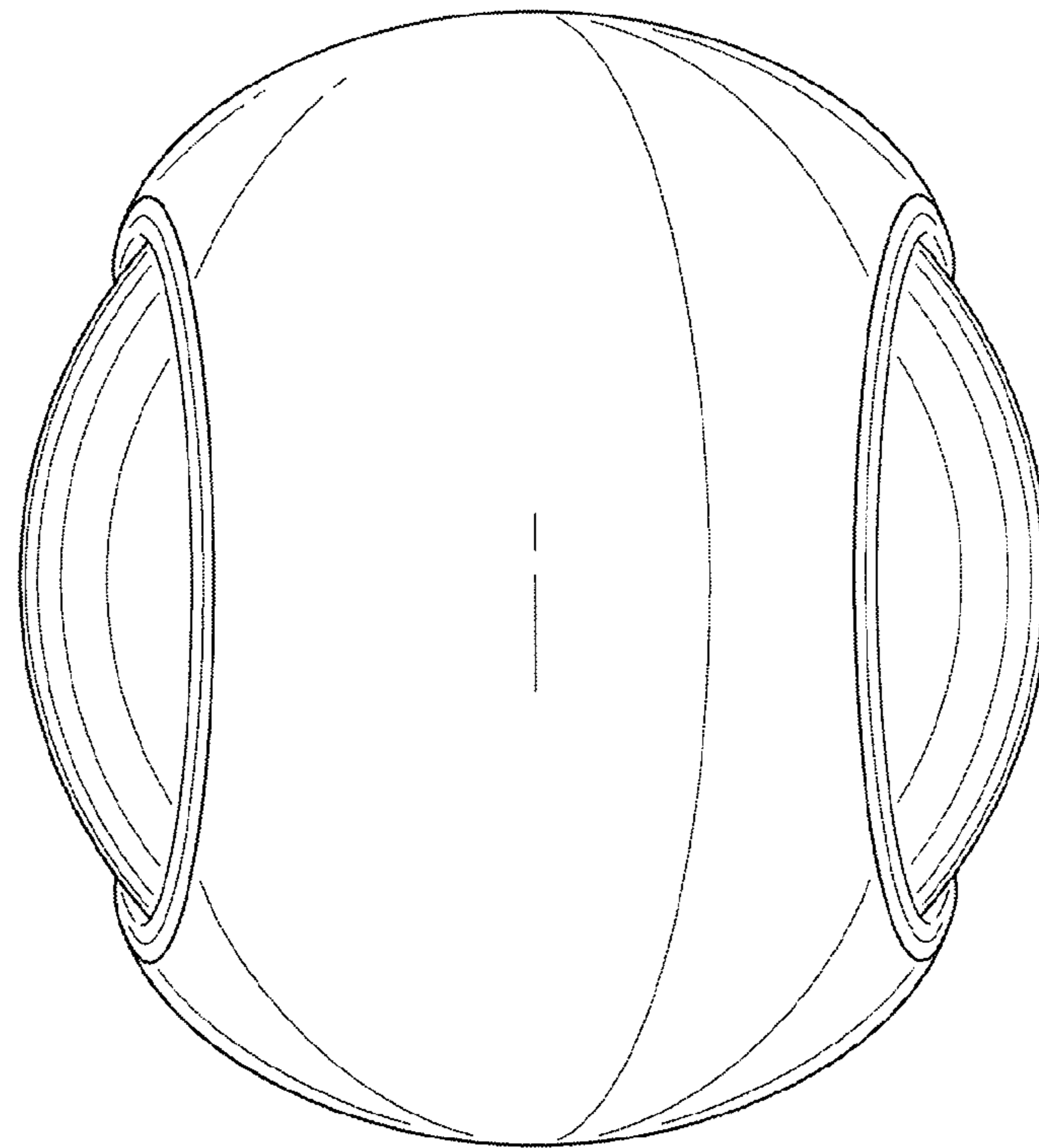


FIG. 3

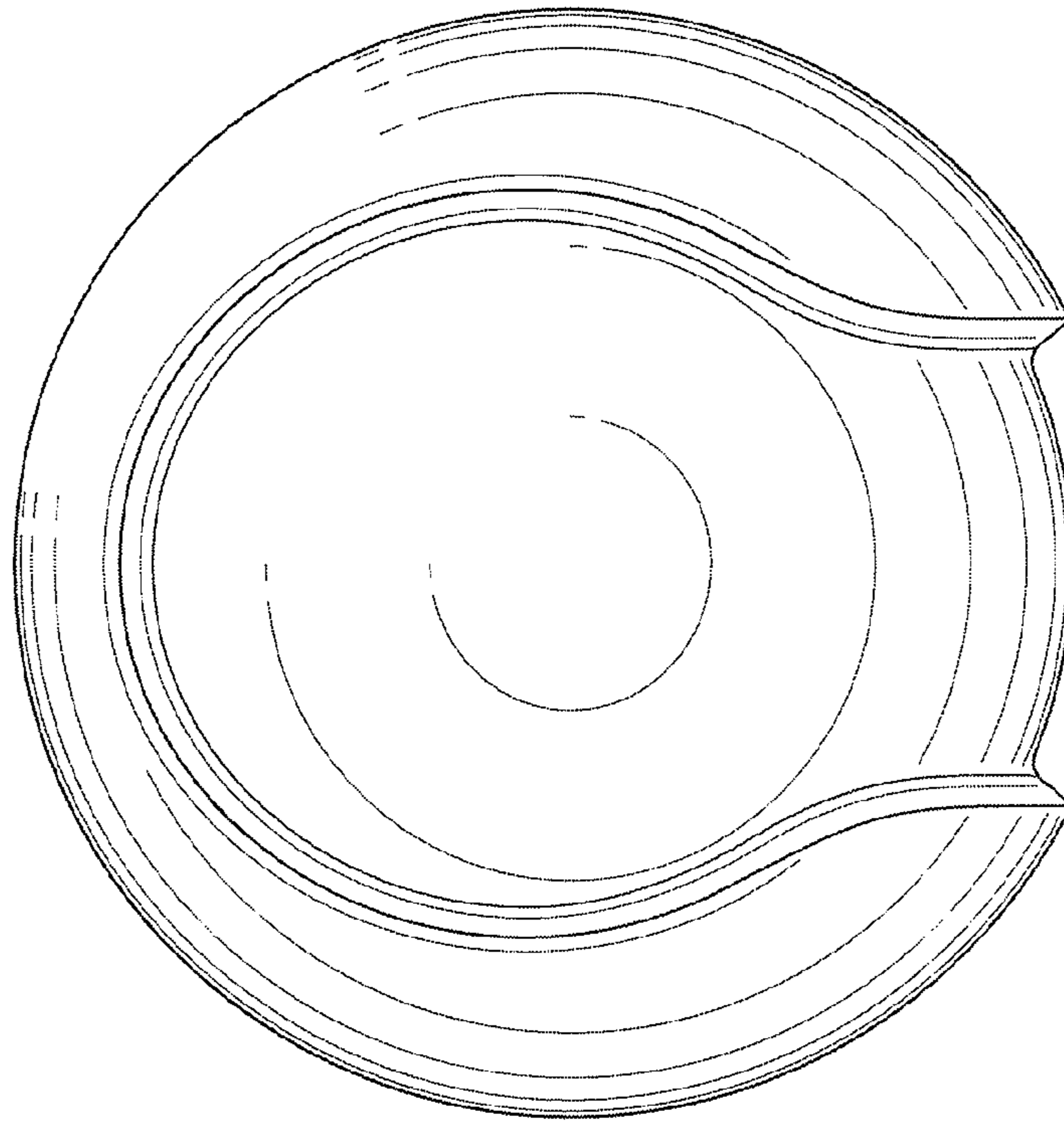


FIG. 4

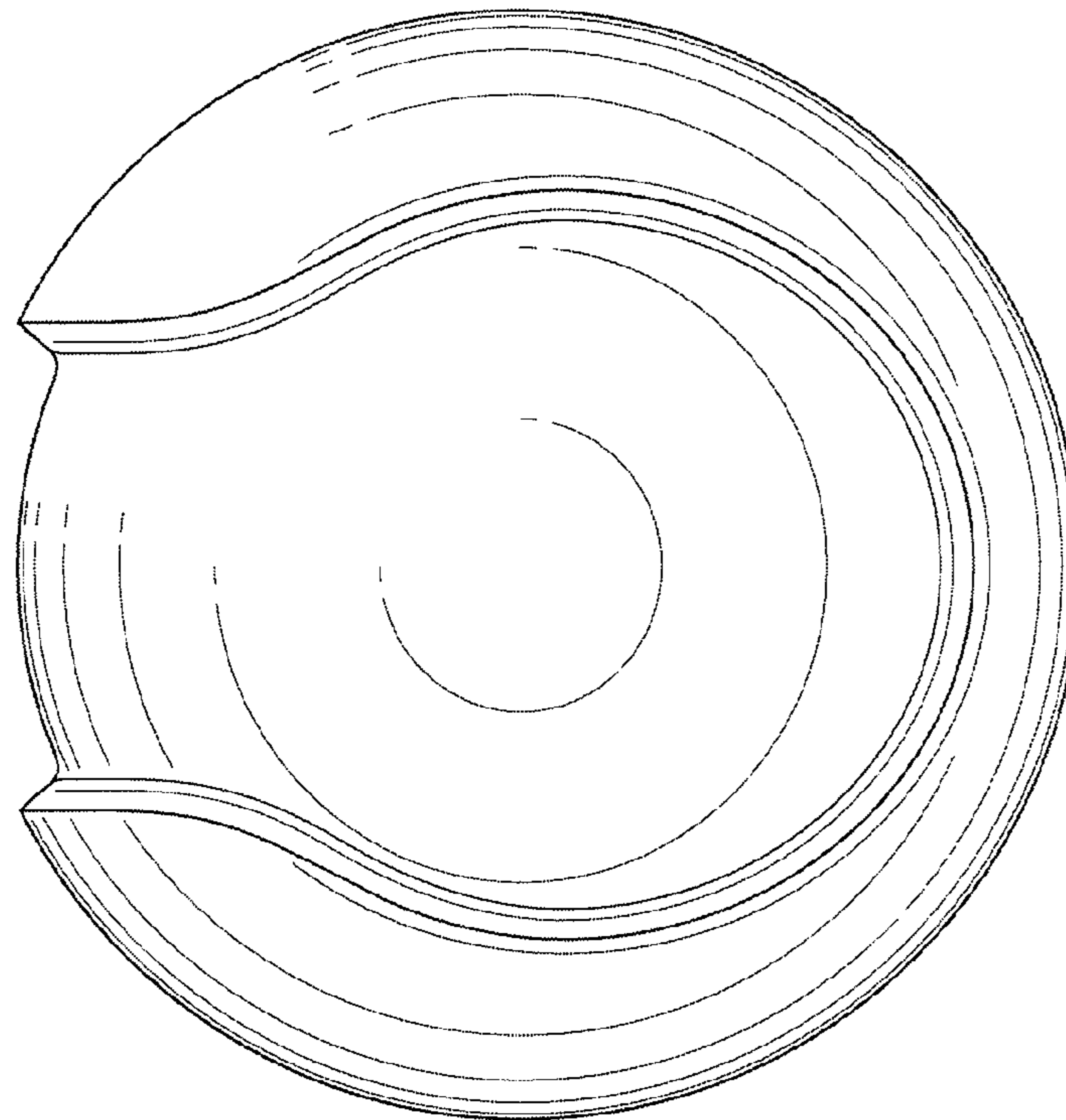


FIG. 5

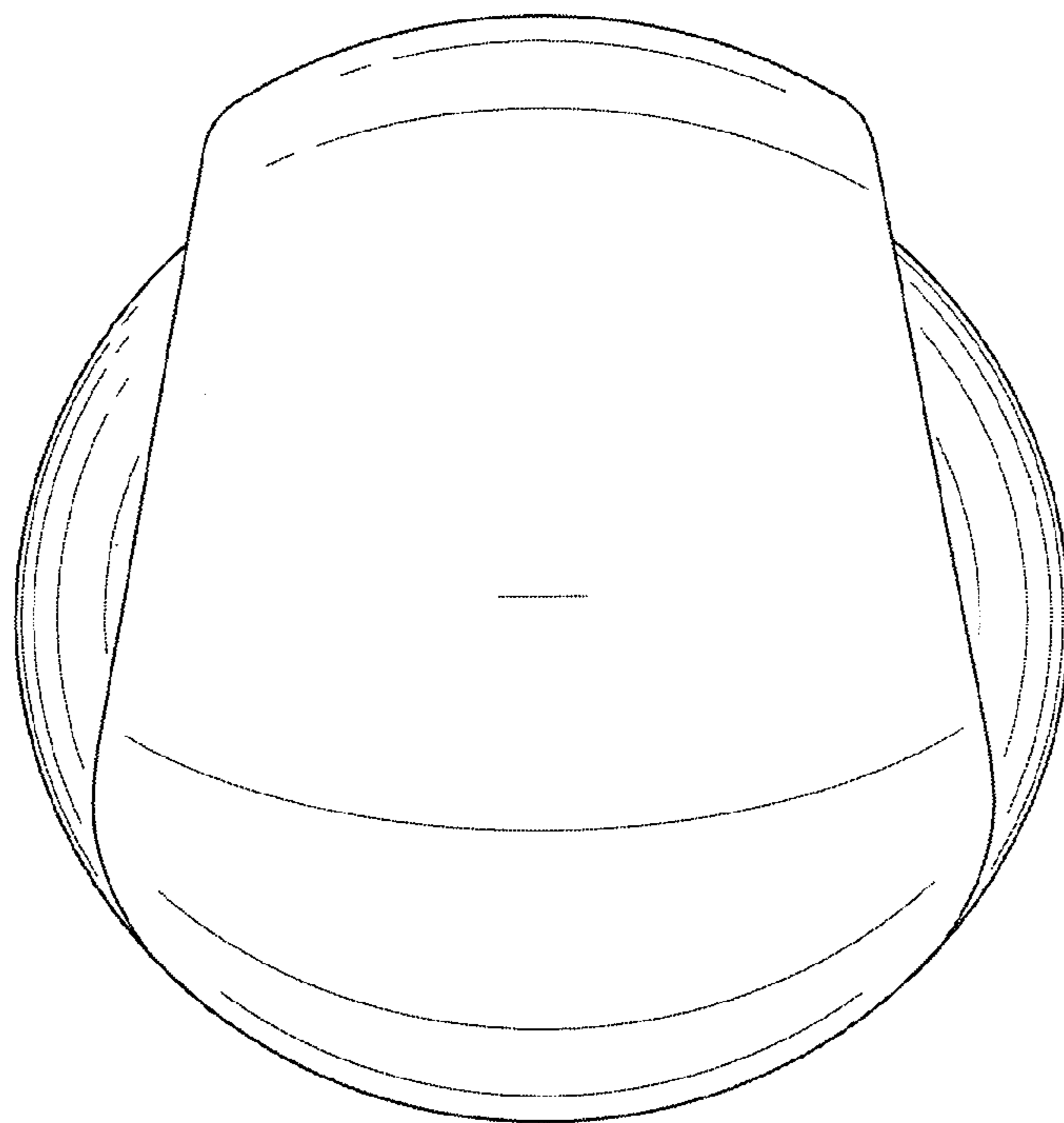


FIG. 6

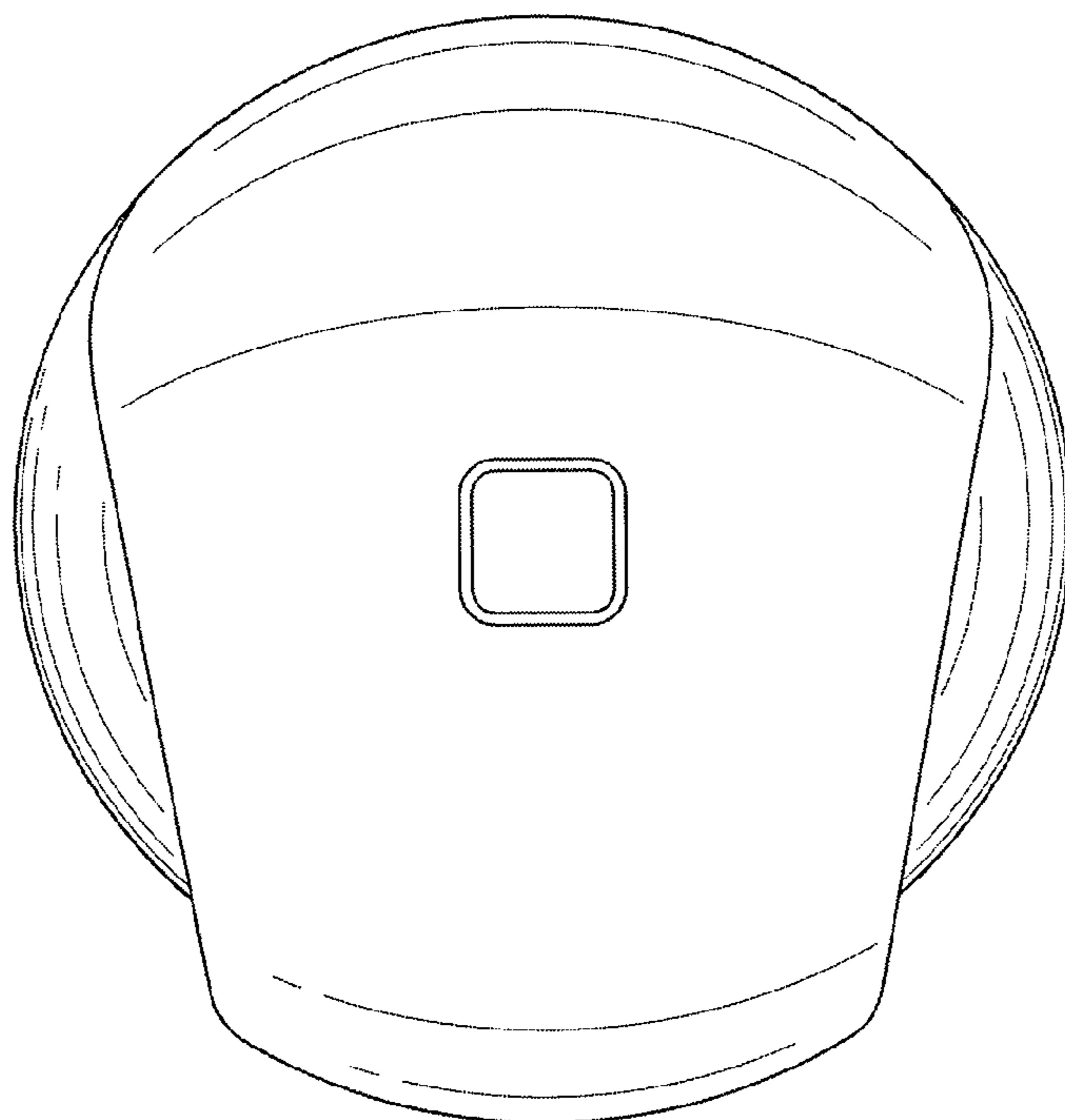


FIG. 7