



US00D617506S

(12) **United States Design Patent**
Platt et al.

(10) **Patent No.:** **US D617,506 S**
(45) **Date of Patent:** **** Jun. 8, 2010**

(54) **PLAYHOUSE FOR PETS**

D362,363 S * 9/1995 Friedman D6/596

* cited by examiner

(75) Inventors: **Jayne K. Platt**, Cranston, RI (US);
Kevin W. Platt, Cranston, RI (US)

Primary Examiner—Mitchell I Siegel
(74) *Attorney, Agent, or Firm*—Barlow, Josephs & Holmes,
Ltd.

(73) Assignee: **The Platt Company**, Cranston, RI (US)

(**) Term: **14 Years**

(57) **CLAIM**

(21) Appl. No.: **29/336,511**

The ornamental design for a playhouse for pets, as shown and described.

(22) Filed: **May 5, 2009**

DESCRIPTION

(51) **LOC (9) Cl.** **30-02**

FIG. 1 is a right perspective view of the playhouse for pets in accordance with the present invention;

(52) **U.S. Cl.** **D30/108**

FIG. 2 is a front elevated view thereof;

(58) **Field of Classification Search** D30/108,
D30/109, 118, 160–161; 119/416, 452, 28.5,
119/161–170; D6/596–597; D21/837; D9/414
See application file for complete search history.

FIG. 3 is a rear view thereof;

FIG. 4 is a right side view thereof;

FIG. 5 is a left side view thereof;

FIG. 6 is a top view thereof; and,

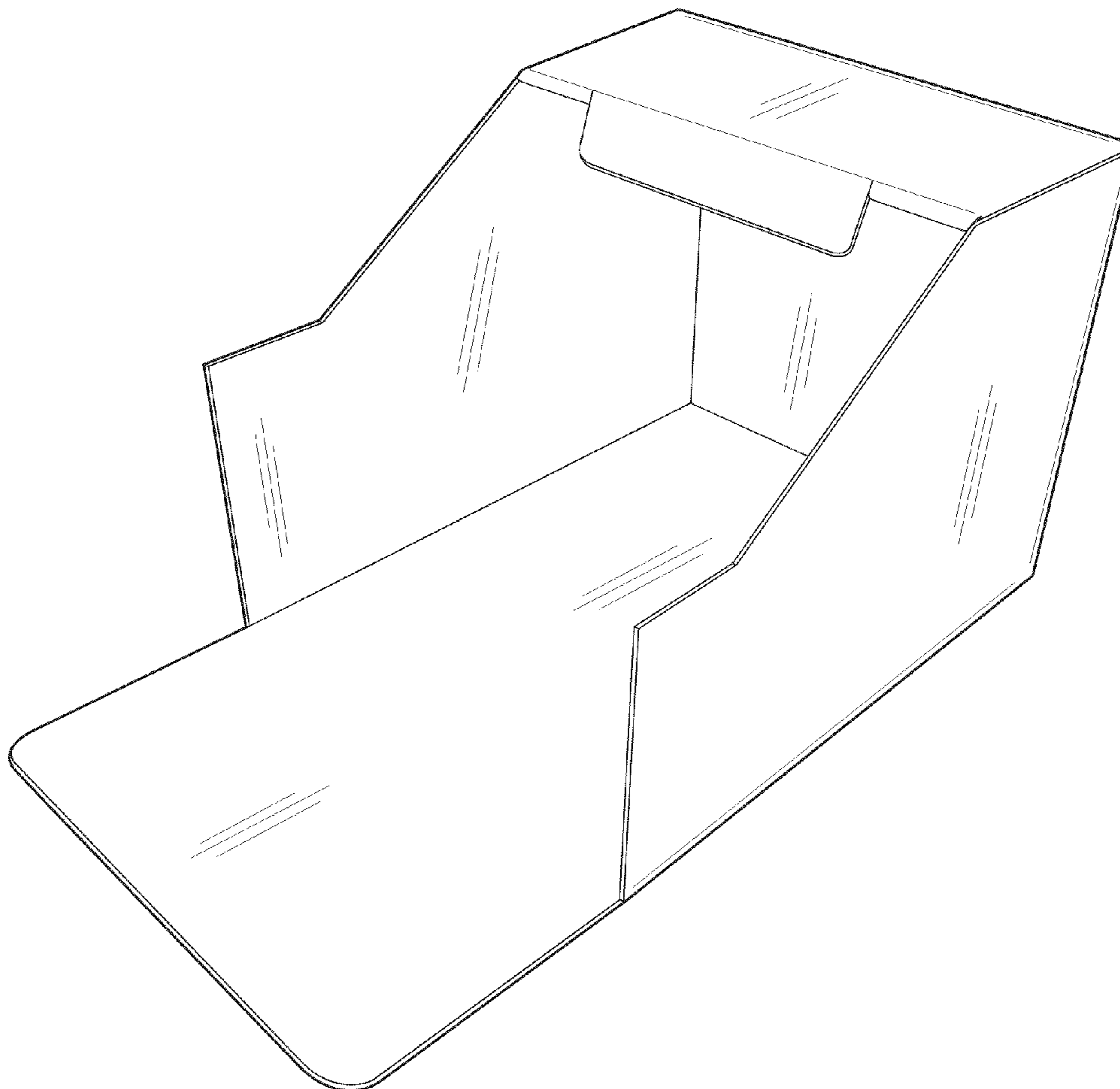
FIG. 7 is a bottom view thereof.

(56) **References Cited**

U.S. PATENT DOCUMENTS

D179,476 S * 1/1957 Field D30/118

1 Claim, 7 Drawing Sheets



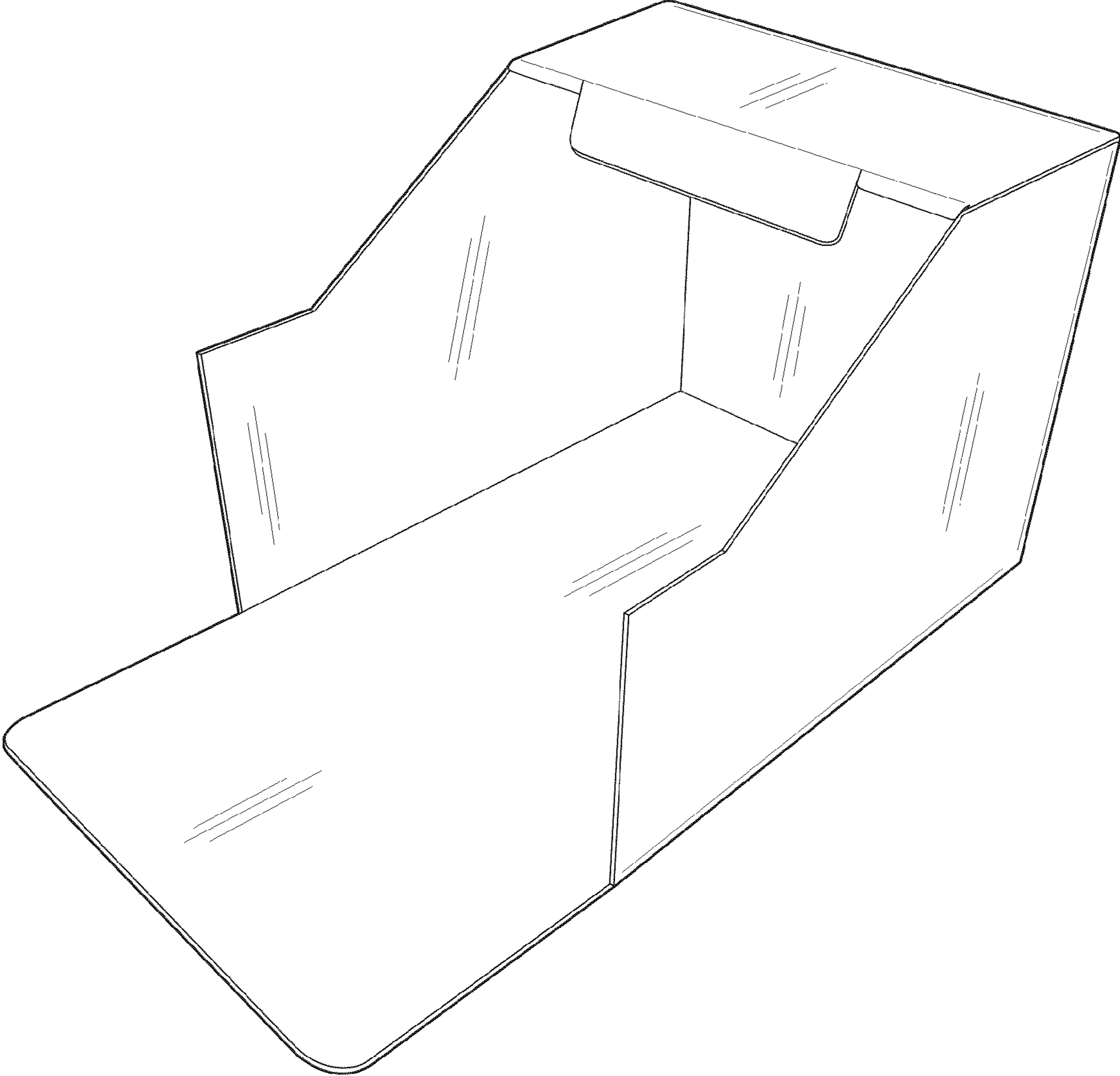


Fig. 1

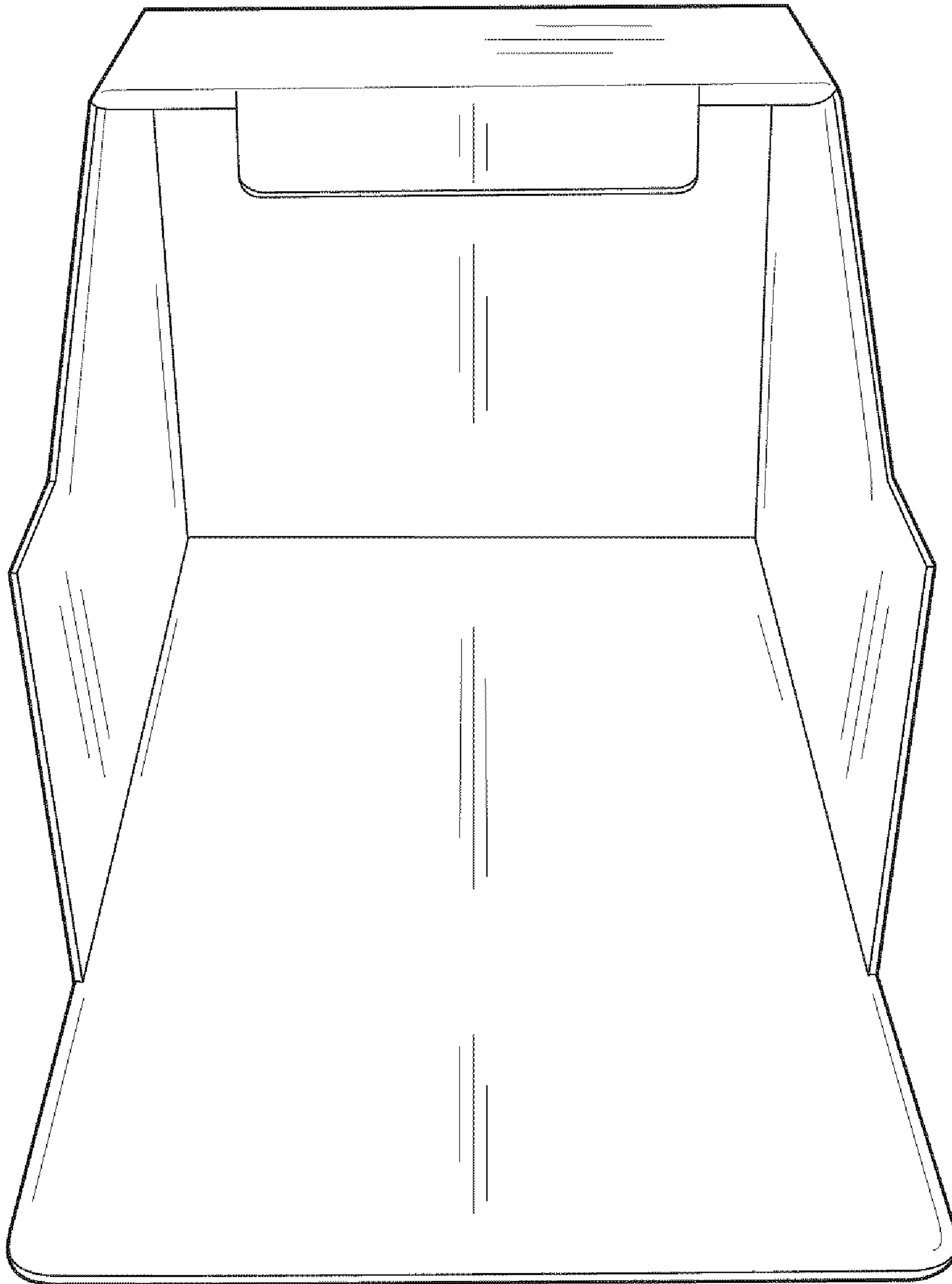


Fig. 2

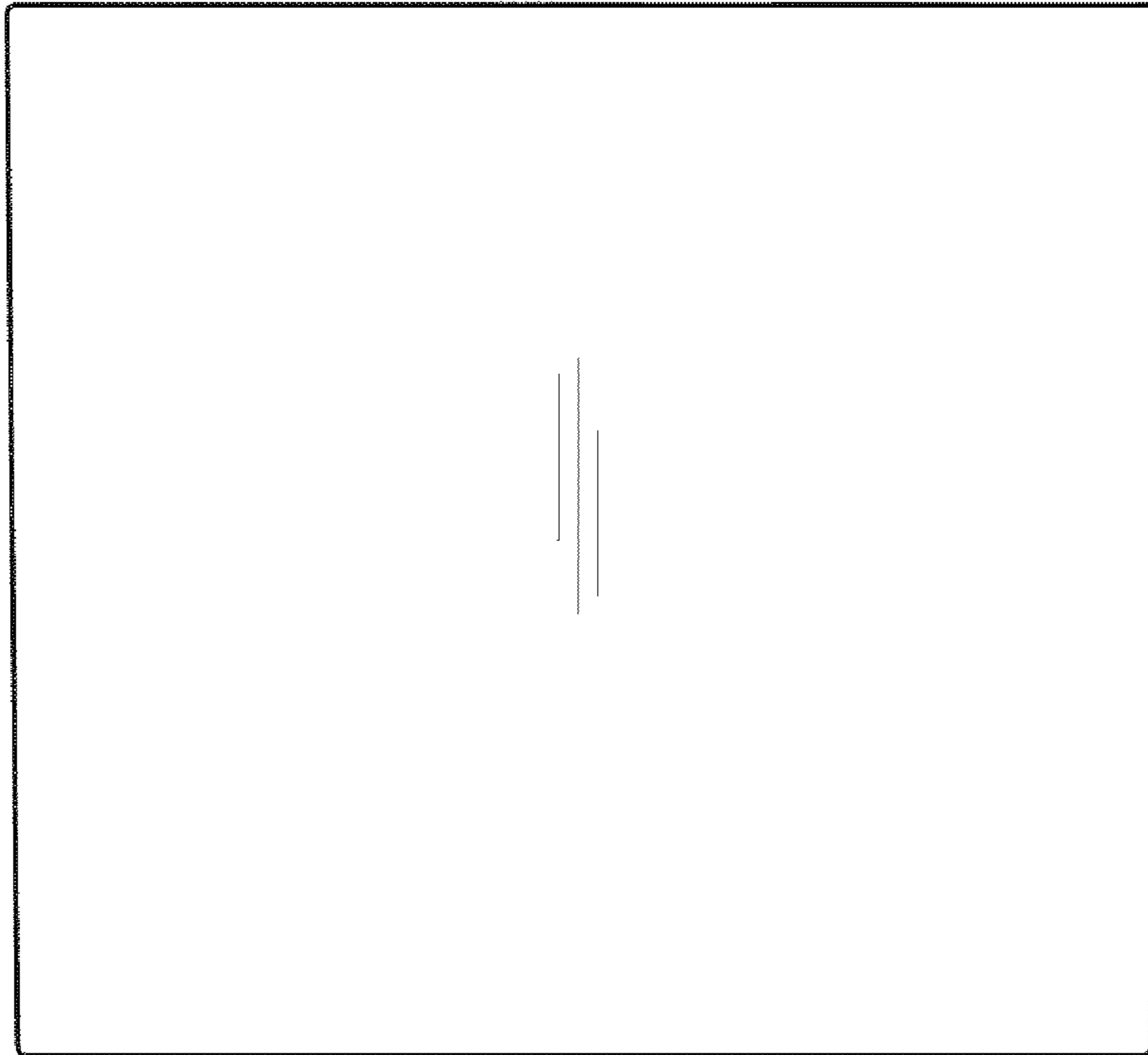


Fig. 3

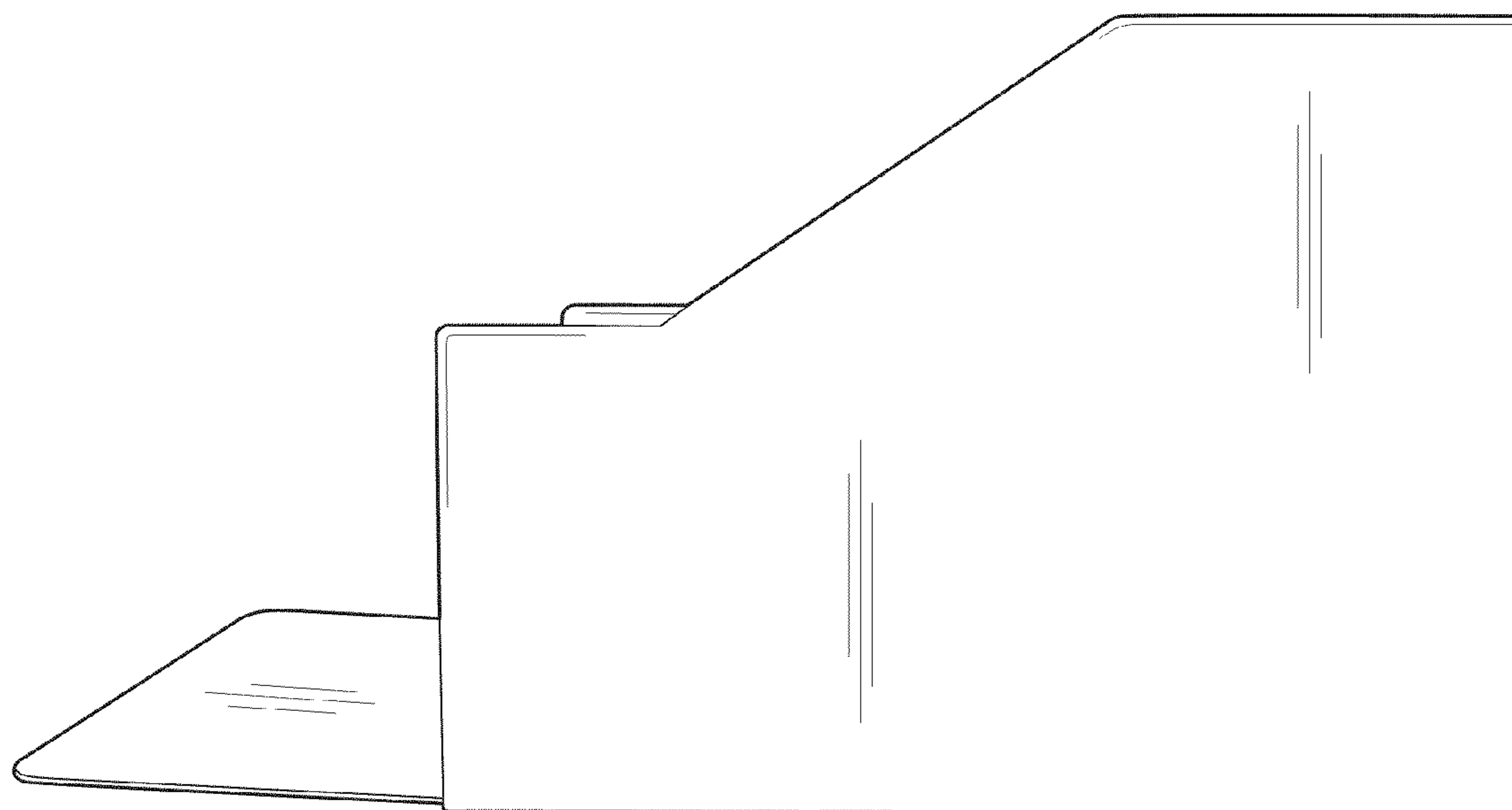


Fig. 4

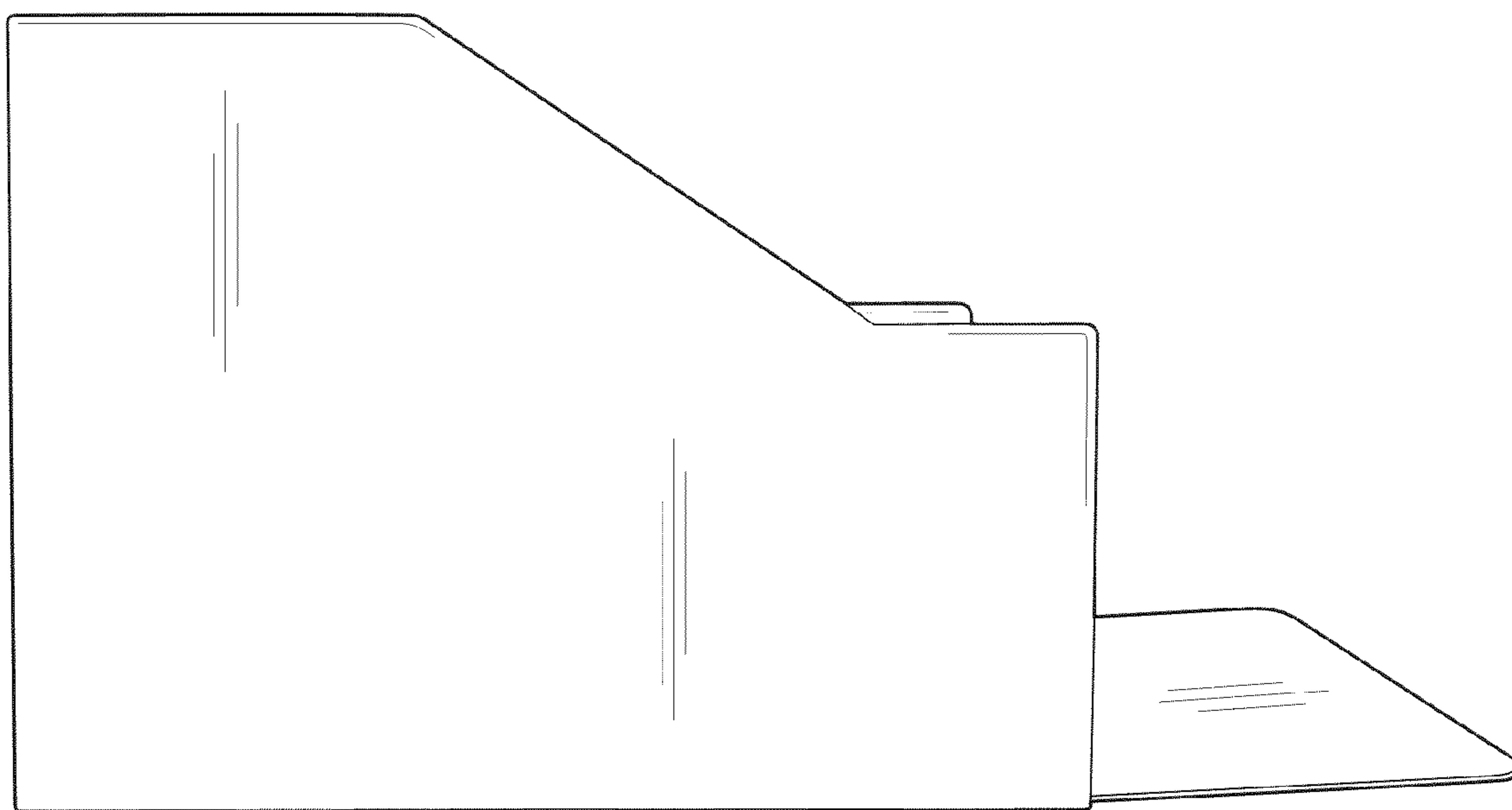


Fig. 5

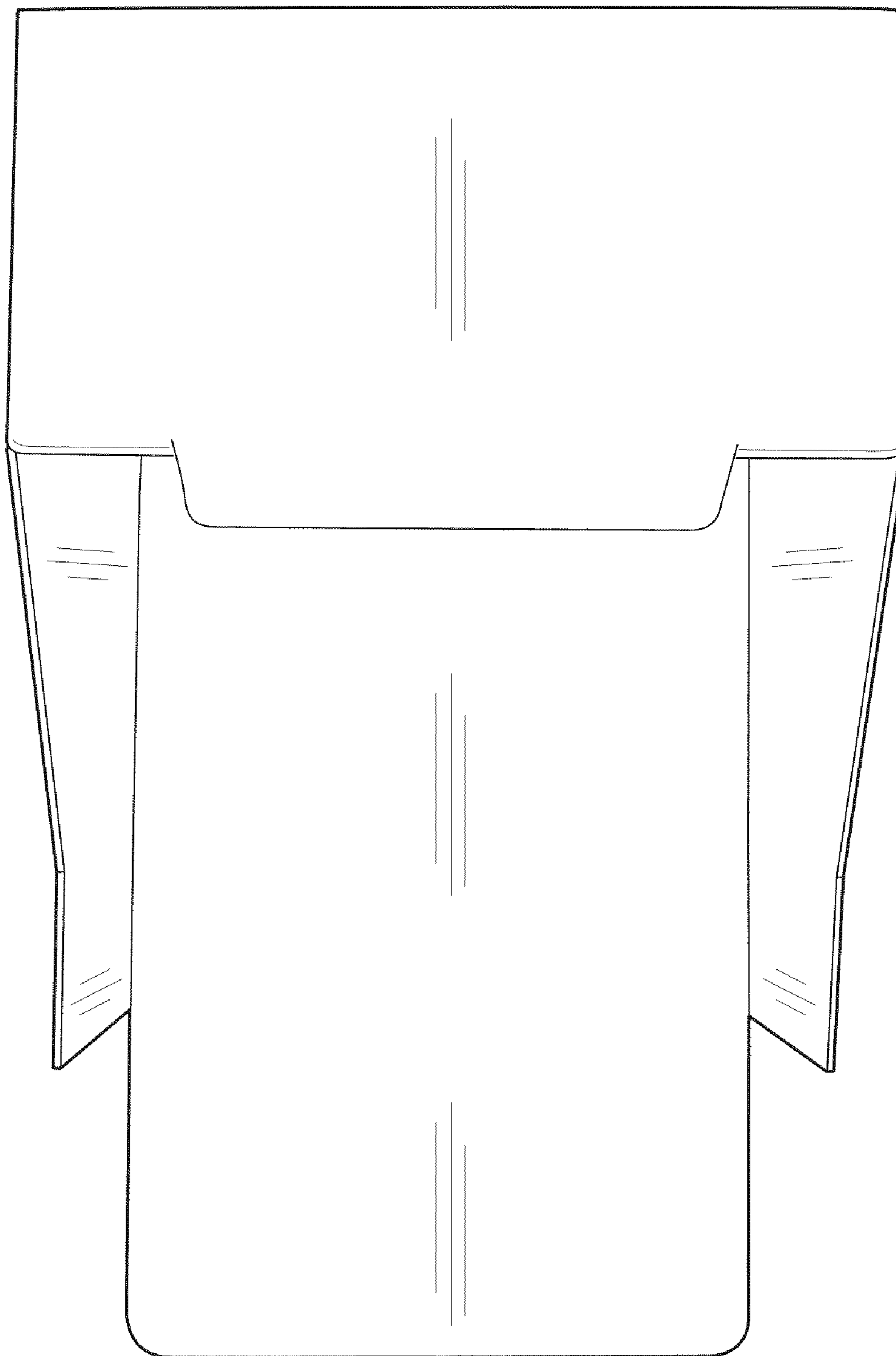


Fig. 6

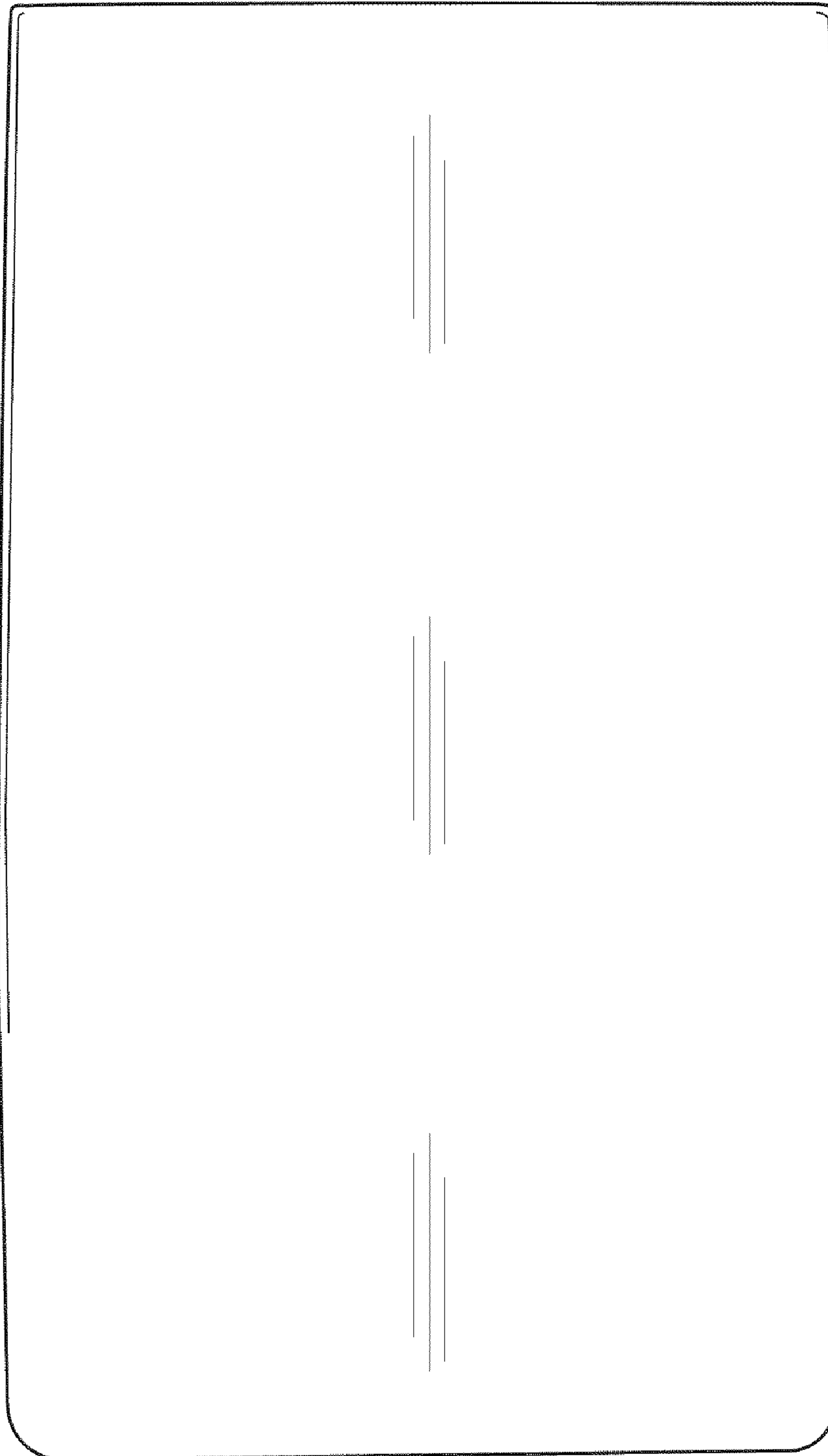


Fig. 7