



US00D617496S

(12) **United States Design Patent**
Wong

(10) **Patent No.:** **US D617,496 S**
(45) **Date of Patent:** **** Jun. 8, 2010**

(54) **CIGAR CUTTER**

(76) Inventor: **Ming King Wong**, 12/F, North Point Ind.
Bldg., 499 King's Road, North Point
(HK)

(**) Term: **14 Years**

(21) Appl. No.: **29/315,731**

(22) Filed: **Jul. 16, 2009**

(51) **LOC (9) Cl.** **27-02**

(52) **U.S. Cl.** **D27/195**

(58) **Field of Classification Search** D27/195;
131/248-255; 30/109, 111, 113, 175, 182
See application file for complete search history.

(56) **References Cited**

U.S. PATENT DOCUMENTS

D314,639	S	*	2/1991	Rousseau	D27/195
D387,477	S	*	12/1997	Schmidt	D27/195
D391,016	S	*	2/1998	Marusiak	D27/195
D396,125	S	*	7/1998	Chen	D27/195
5,791,051	A	*	8/1998	Schmidt	30/113
D398,072	S	*	9/1998	Singletary	D27/195
D409,795	S	*	5/1999	White et al.	D27/195
5,992,022	A	*	11/1999	Carrera Moya	30/113
D425,658	S	*	5/2000	Stahl	D27/195
D426,344	S	*	6/2000	Baldesberger	D27/195
6,164,286	A	*	12/2000	Schad	131/248
D455,521	S	*	4/2002	Park	D27/195

6,708,409	B2	*	3/2004	Yu	30/113
D546,000	S	*	7/2007	Kan	D27/195
D569,034	S	*	5/2008	Gutman	D27/195
D569,548	S	*	5/2008	Smith	D27/195
D597,251	S	*	7/2009	Smith	D27/195

* cited by examiner

Primary Examiner—Dominic Simone

(74) *Attorney, Agent, or Firm*—Raymond Y. Chan; David and Raymond Patent Firm

(57) **CLAIM**

The ornamental design for a cigar cutter, as shown.

DESCRIPTION

FIG. 1 is a perspective view showing my new design, illustrating the blade handles of the cigar cutter at a closed position.

FIG. 2 is a front view thereof.

FIG. 3 is a rear view thereof.

FIG. 4 is a left end view thereof.

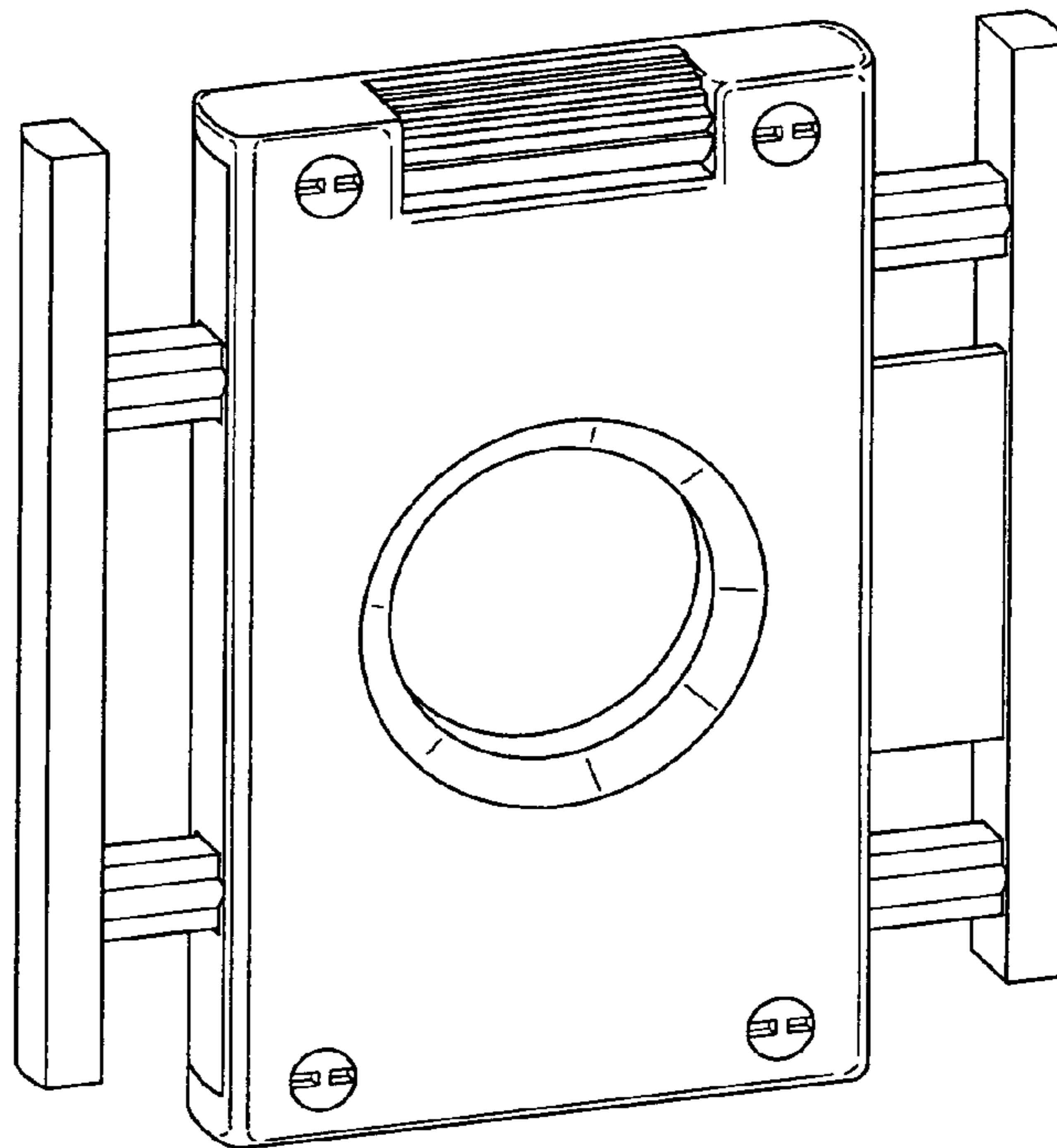
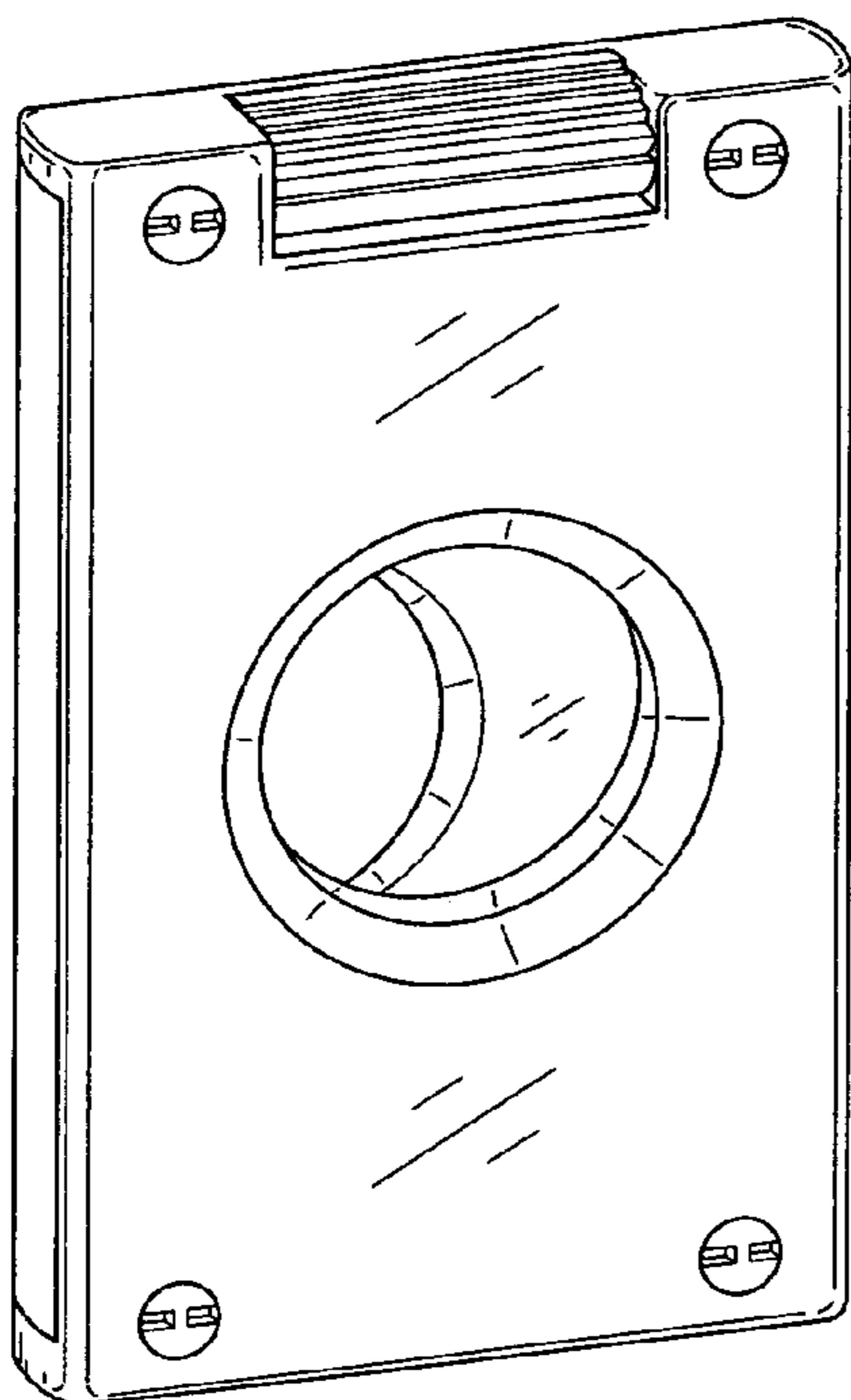
FIG. 5 is a right end view thereof.

FIG. 6 is a top view thereof.

FIG. 7 is a bottom view thereof; and,

FIG. 8 is a perspective view thereof, illustrating the blade handles of the cigar cutter at an opened position through the rotation of the roller at the top portion of the cigar cutter.

1 Claim, 8 Drawing Sheets



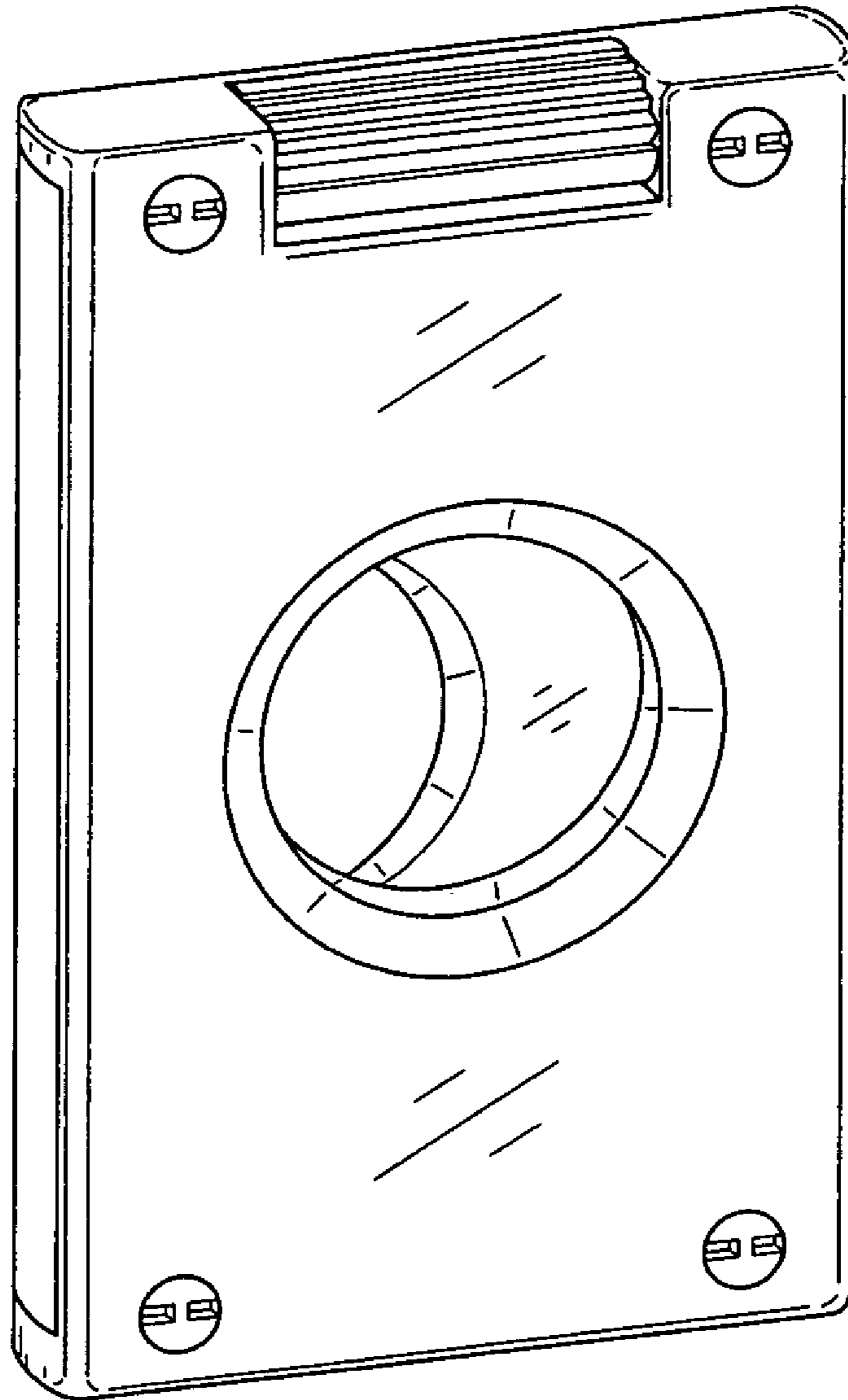


FIG. 1

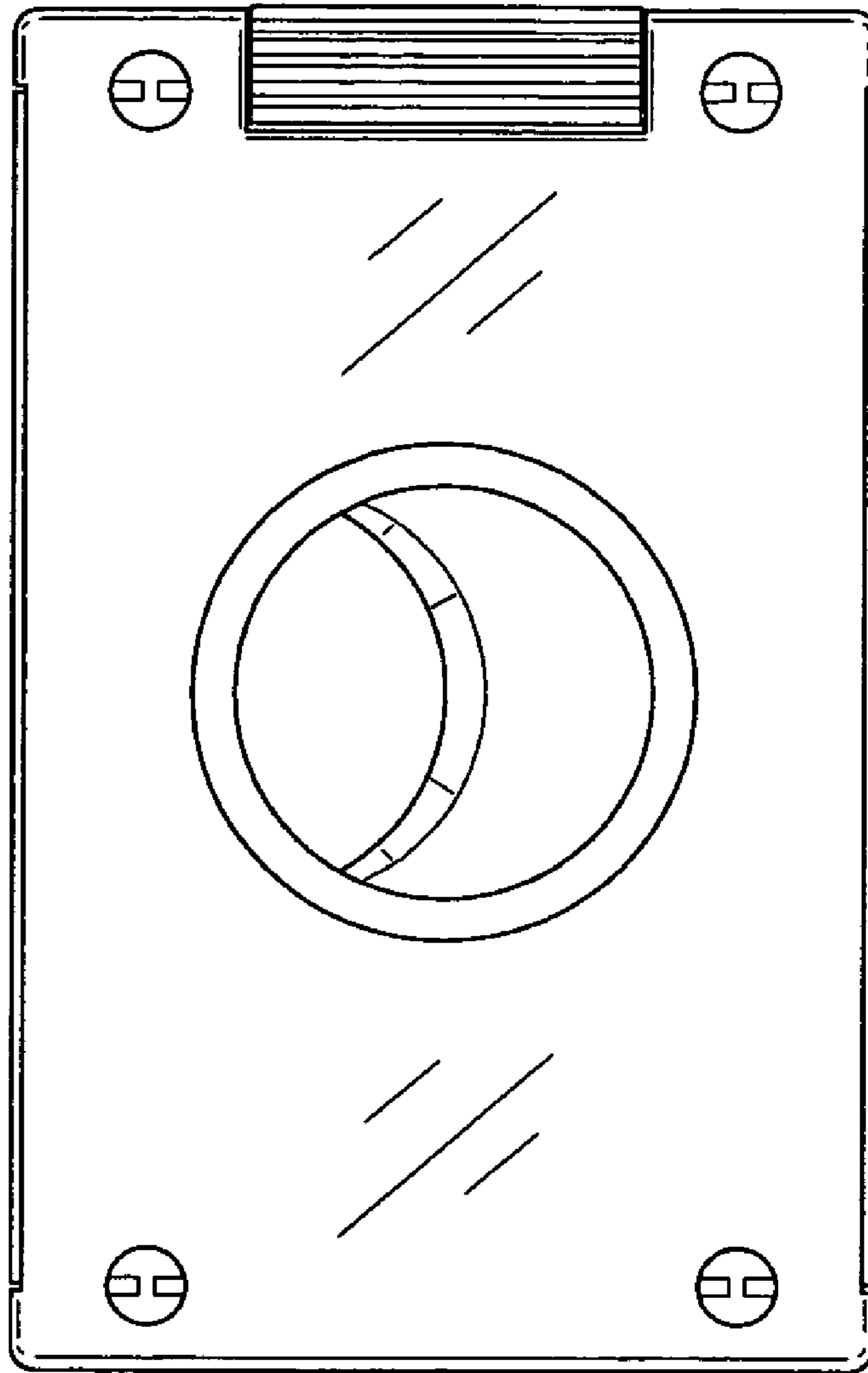


FIG. 2

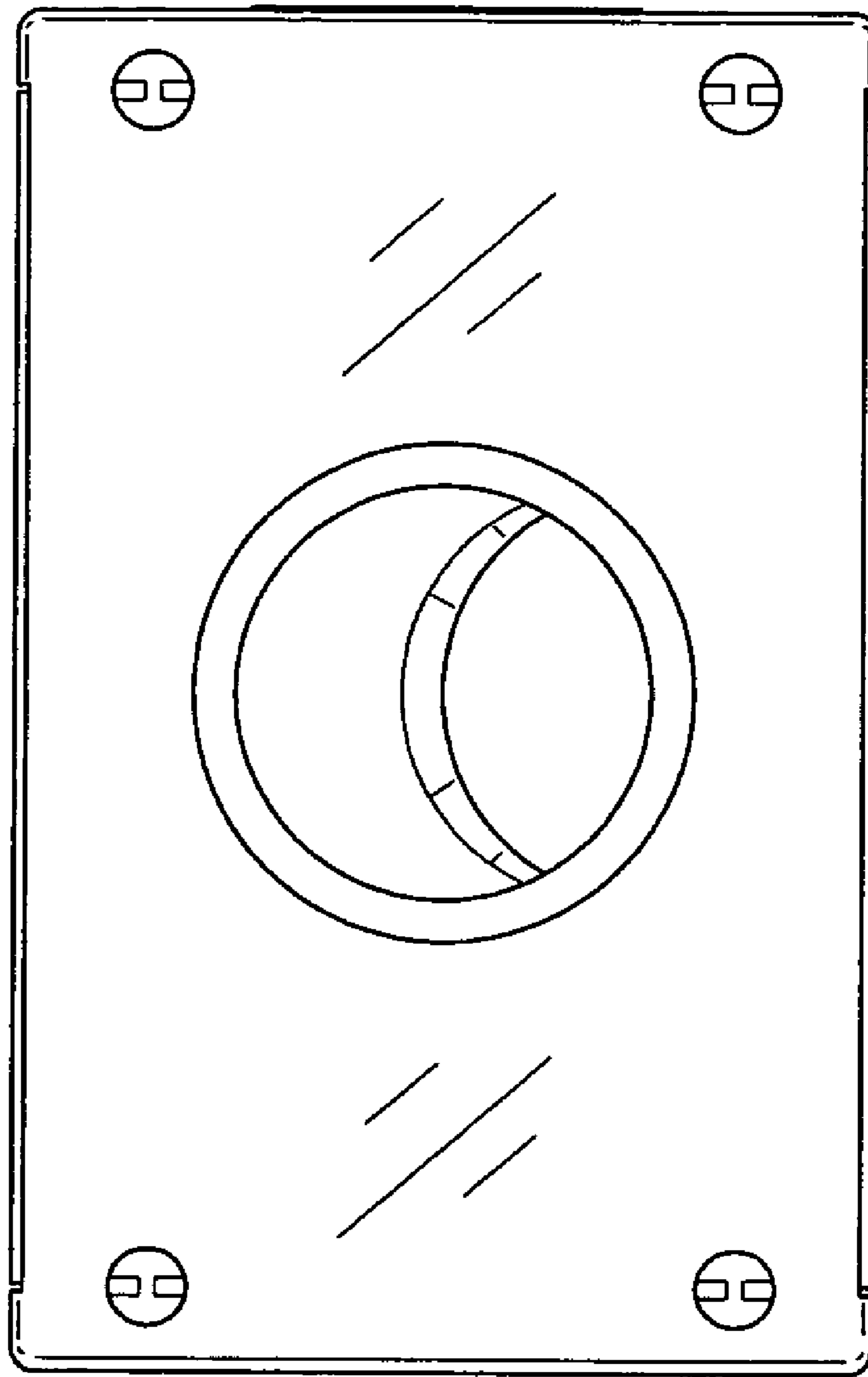


FIG. 3

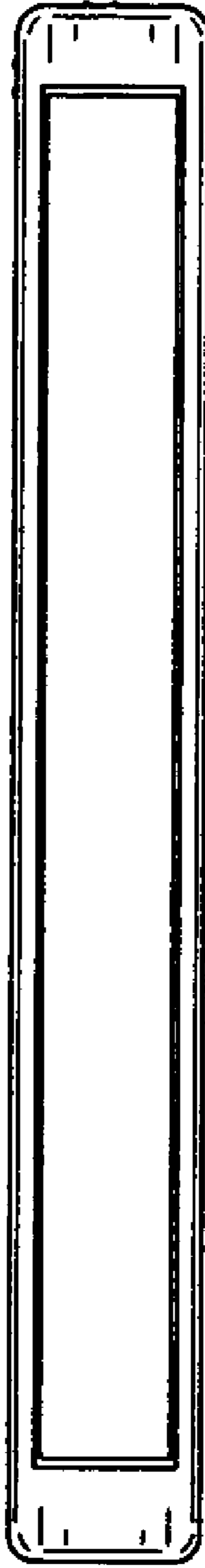


FIG. 4

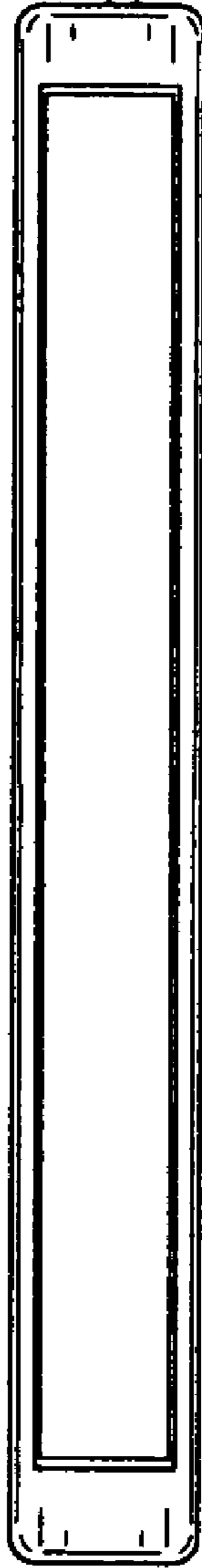


FIG. 5

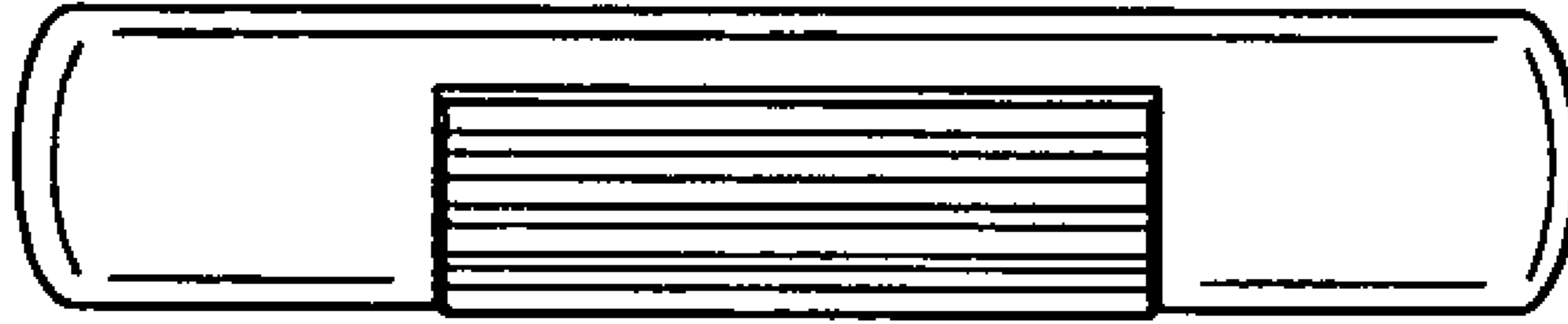


FIG. 6

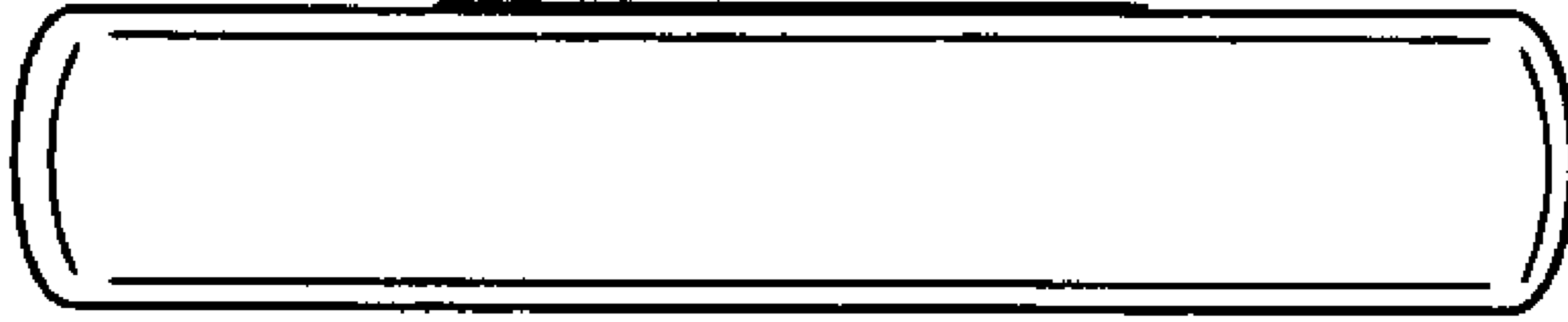


FIG. 7

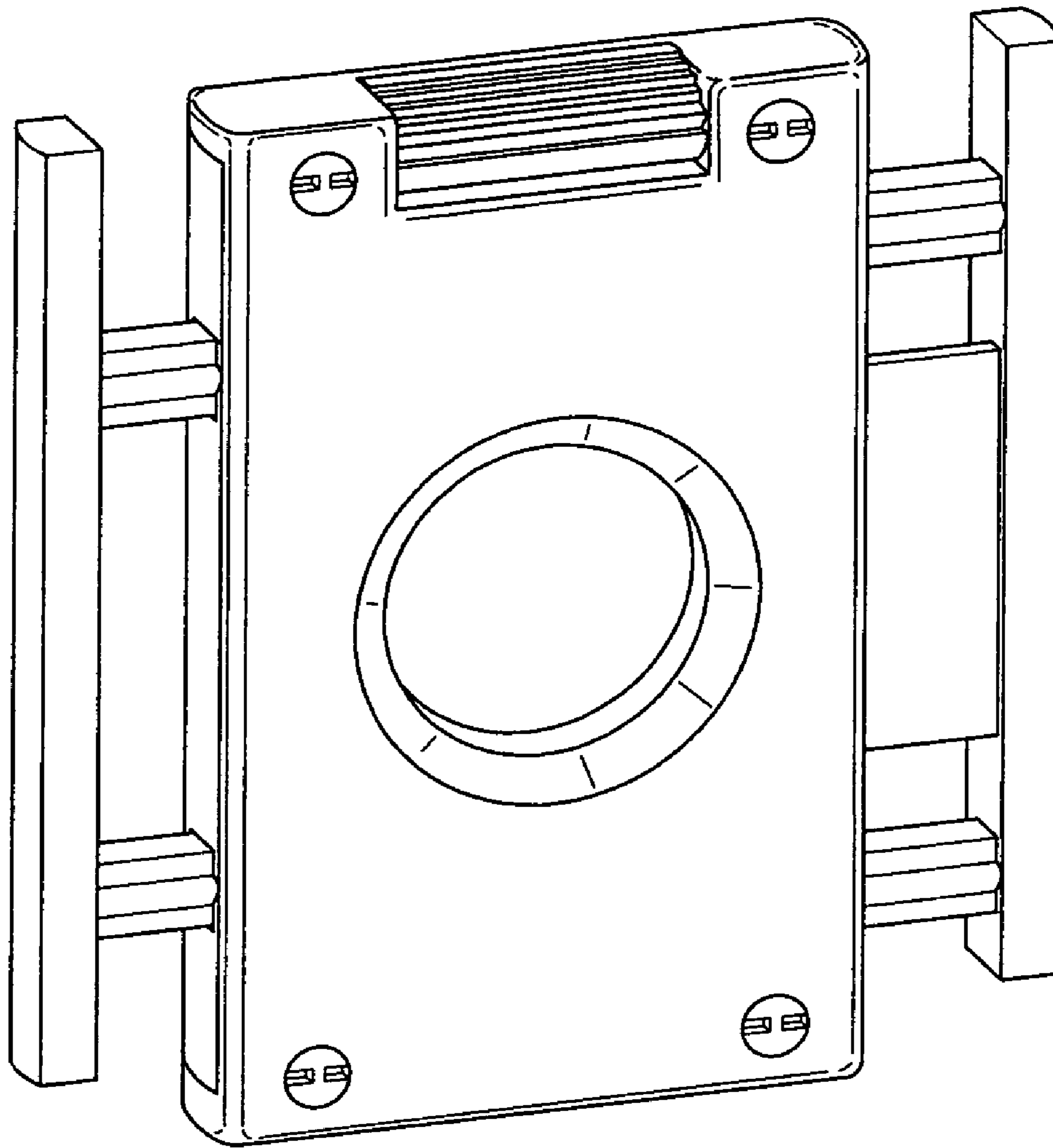


FIG. 8