



US00D617494S

(12) **United States Design Patent**
Lin

(10) **Patent No.:** **US D617,494 S**
(45) **Date of Patent:** **** Jun. 8, 2010**

(54) **LAMPSTAND**

(76) Inventor: **Benny Lin**, Building B, No. 30, Lane 9,
Sec. 2, Jhongsing Rd., Wugu Hsiang,
Taipei Hsien (TW)

(**) Term: **14 Years**

(21) Appl. No.: **29/348,116**

(22) Filed: **Dec. 1, 2009**

(51) **LOC (9) Cl.** **26-99**

(52) **U.S. Cl.** **D26/142; D6/495**

(58) **Field of Classification Search** D26/2,
D26/142, 134, 129, 124, 118, 128, 113, 121,
D26/125, 131, 130, 60, 61, 138, 93, 102,
D26/103, 106, 107, 110, 147, 153, 149, 141,
D26/145, 155, 24, 63, 120, 122, 123, 65,
D26/88; D8/396; 362/294, 98, 641, 257,
362/269, 270, 277, 279, 285, 341, 347, 350,
362/351, 363, 395, 410; D6/482, 495, 499,
D6/449, 466

See application file for complete search history.

(56) **References Cited**

U.S. PATENT DOCUMENTS

2,089,091	A	*	8/1937	Godfrey	248/126
D148,099	S	*	12/1947	Tanchuck	D26/140
D172,722	S	*	7/1954	Patience, Jr.	D26/153
3,743,353	A	*	7/1973	Lupinsky	297/451.8
D228,327	S	*	9/1973	Court	D6/462
3,962,678	A	*	6/1976	Kurokawa	362/275
D257,704	S	*	12/1980	Gabr	D26/106
D301,632	S	*	6/1989	Lohrentz	D26/61
5,034,863	A	*	7/1991	Huang	362/652
D327,136	S	*	6/1992	Tunick	D26/103
D328,361	S	*	7/1992	Paproski	D26/106
D329,098	S	*	9/1992	Lu	D26/62
D357,763	S	*	4/1995	Chan	D26/106
D376,440	S	*	12/1996	Chan	D26/65

D384,180	S	*	9/1997	Porter	D26/107
D389,948	S	*	1/1998	Chang	D26/110
D402,393	S	*	12/1998	Kuo	D26/118
6,824,221	B1	*	11/2004	Tiffany et al.	297/452.63
D513,088	S	*	12/2005	Baarman et al.	D26/106
D515,235	S	*	2/2006	Opolka	D26/107
D527,485	S	*	8/2006	Stephant	D26/109
D556,363	S	*	11/2007	Komar et al.	D26/106
D557,944	S	*	12/2007	Cheng	D6/495
D569,539	S	*	5/2008	Behar et al.	D26/63
D574,530	S	*	8/2008	Tragatschnig	D26/61
D603,544	S	*	11/2009	Jensen et al.	D26/63

* cited by examiner

Primary Examiner—Cathron C Brooks

Assistant Examiner—Kevin K Rudzinski

(74) *Attorney, Agent, or Firm*—William E. Pelton, Esq.;
Cooper & Dunham LLP

(57) **CLAIM**

The ornamental design for a lampstand, as shown and described.

DESCRIPTION

FIG. 1 is a perspective view of a lampstand showing my new design;

FIG. 2 is a front view thereof;

FIG. 3 is a rear view thereof;

FIG. 4 is a left side view thereof;

FIG. 5 is a right side view thereof;

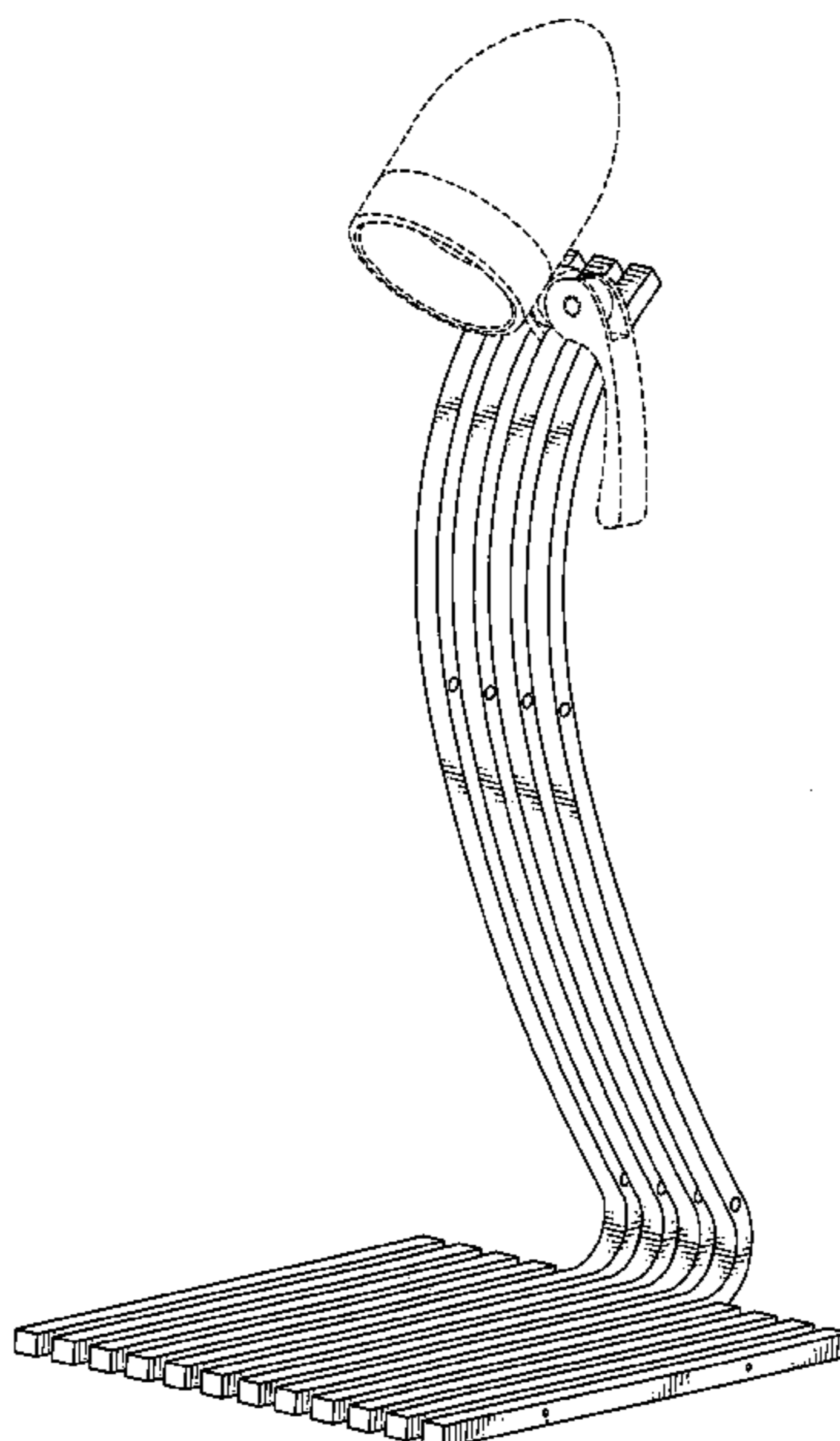
FIG. 6 is a top view thereof;

FIG. 7 is a bottom view thereof; and,

FIG. 8 is a perspective view thereof with a lamp.

The phantom lines are for illustrative purposes only and form no part of the claimed design.

1 Claim, 8 Drawing Sheets



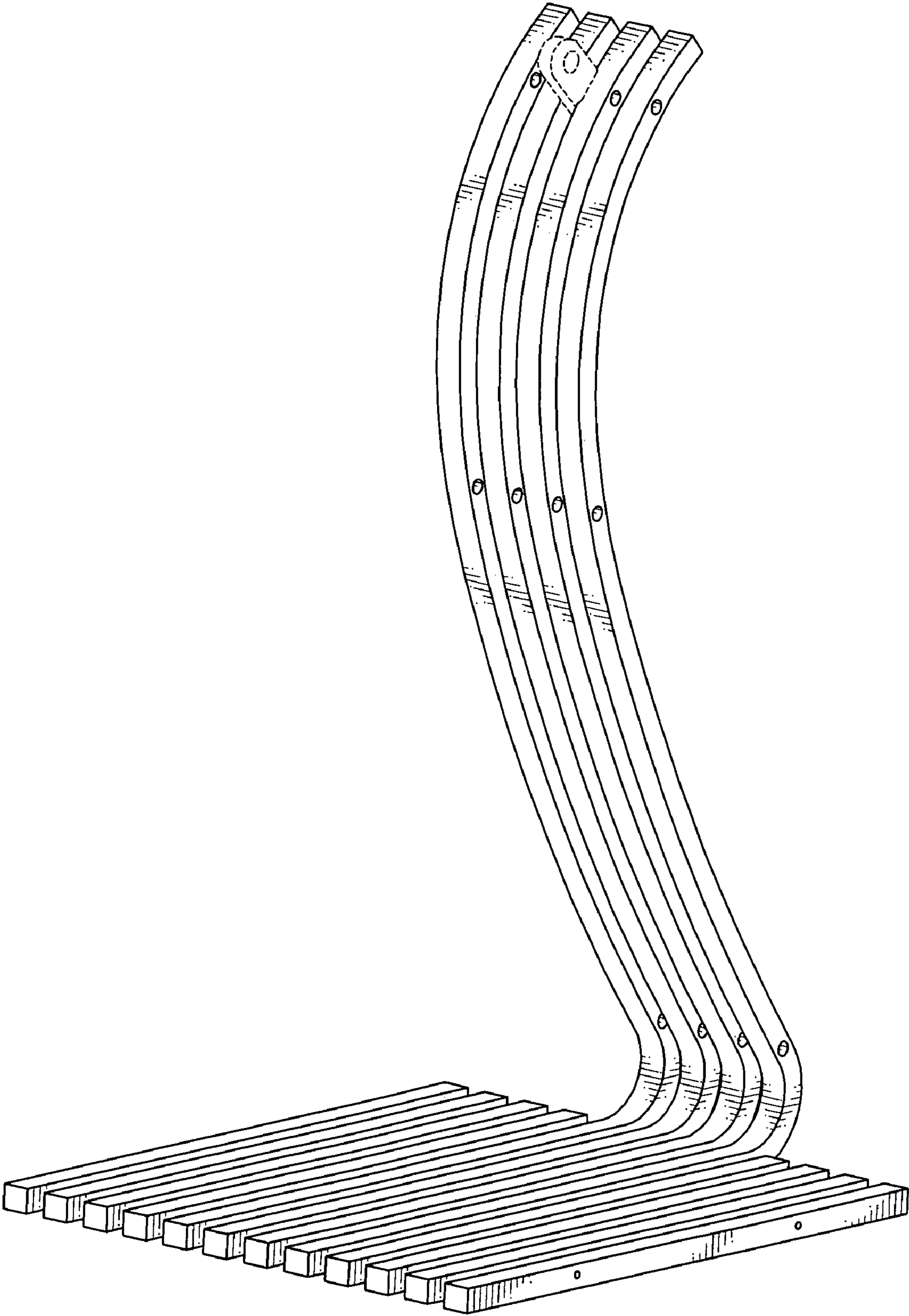


FIG. 1

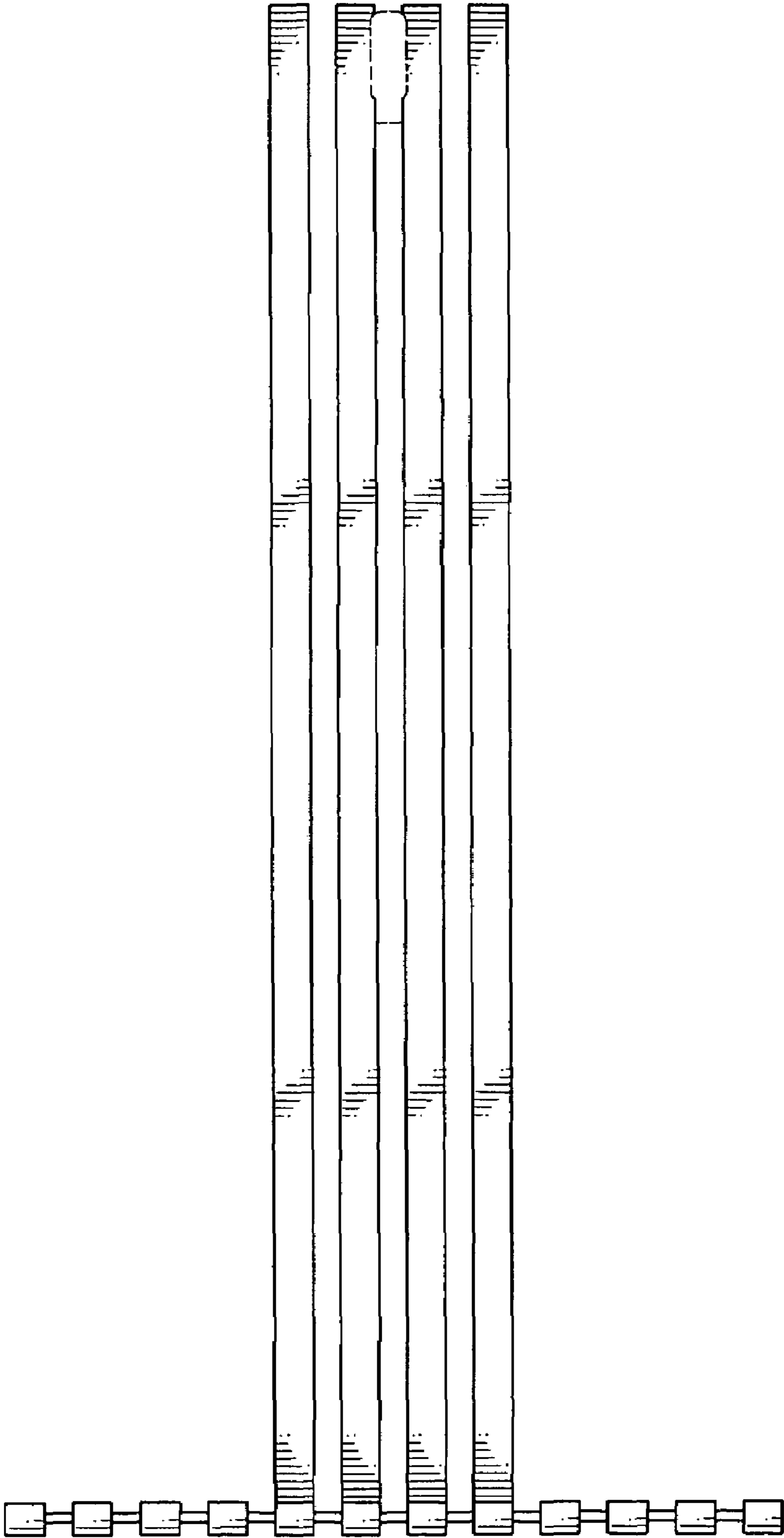


FIG.2

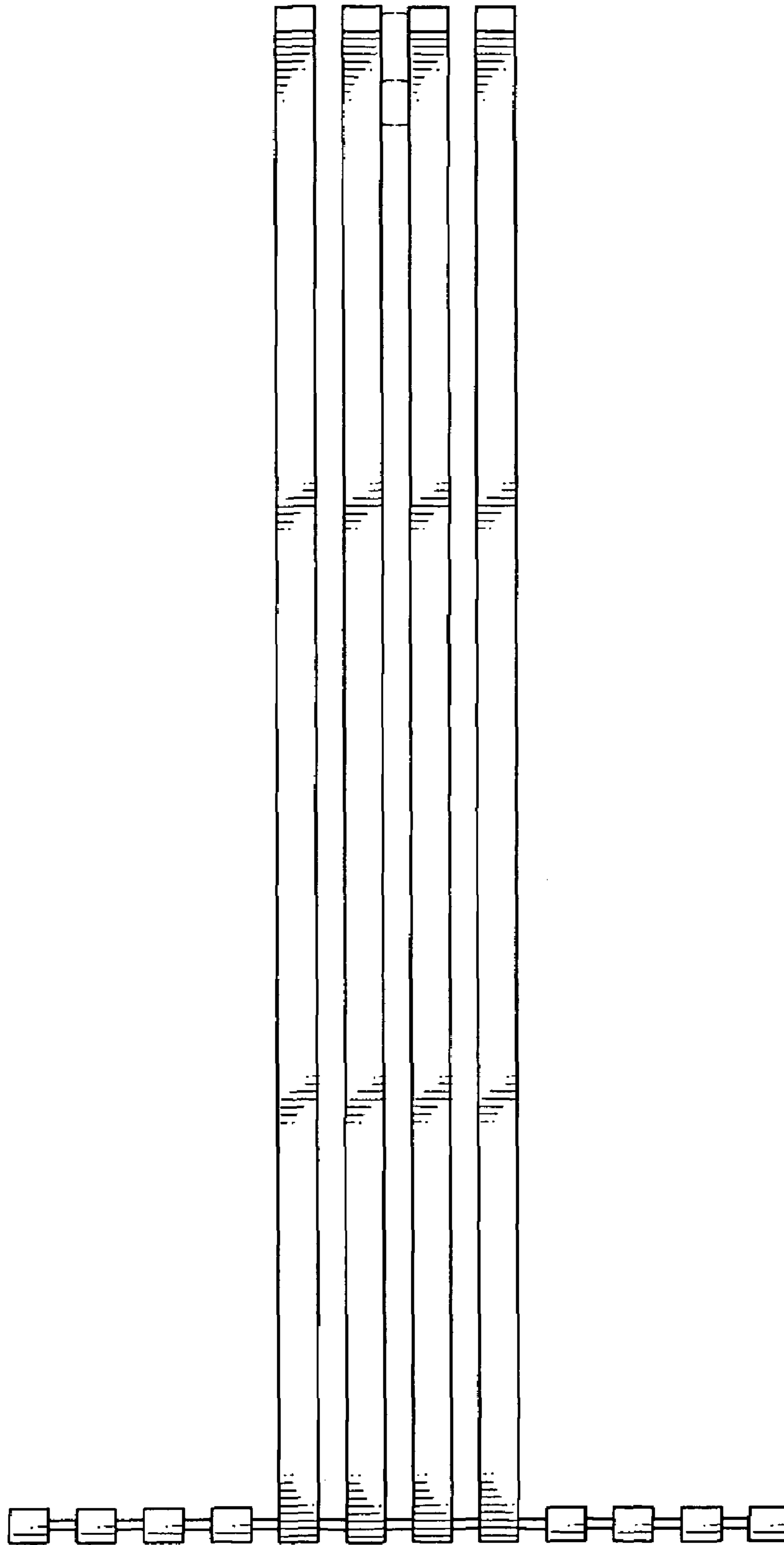


FIG.3

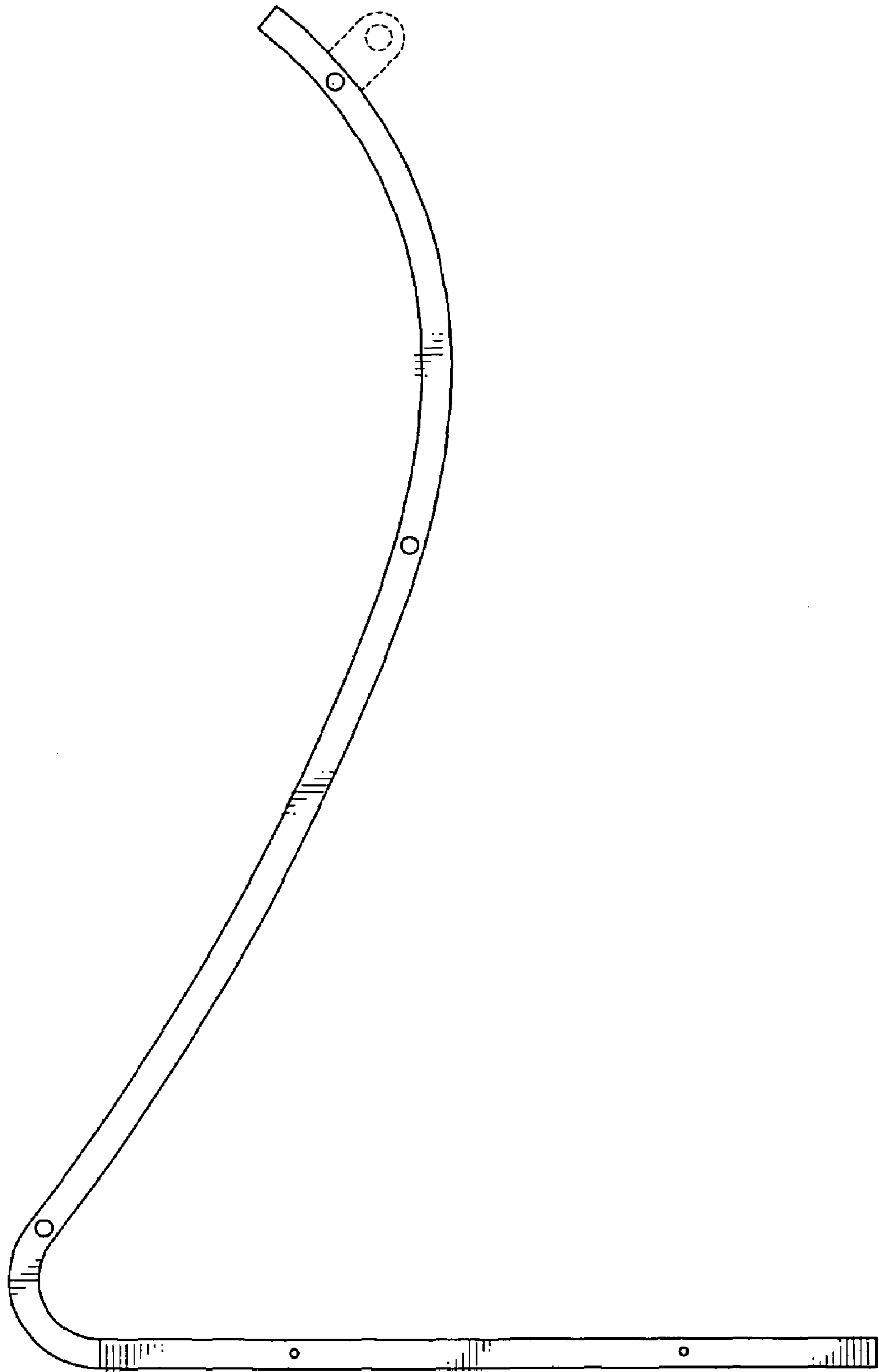


FIG.4

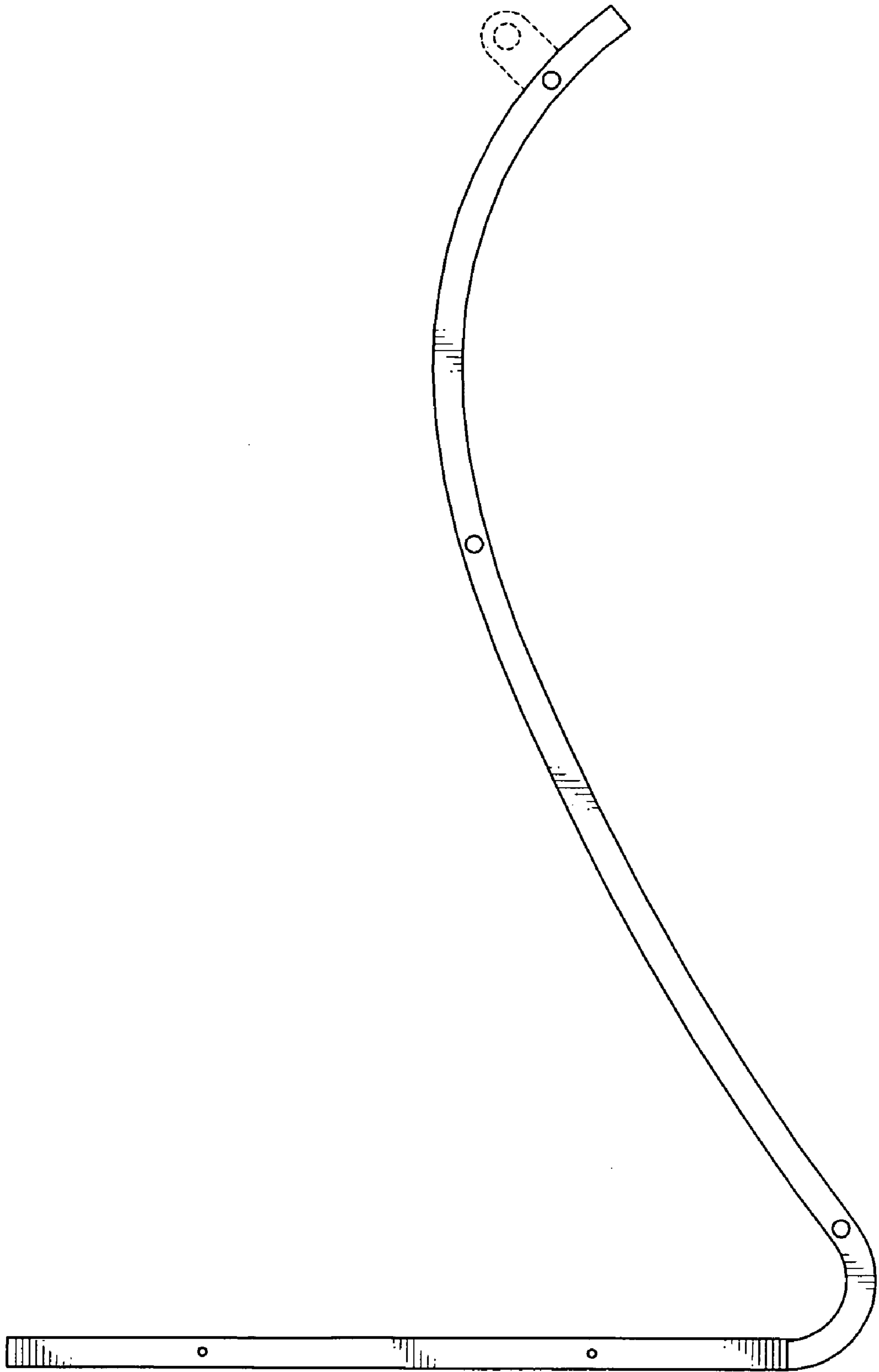


FIG.5

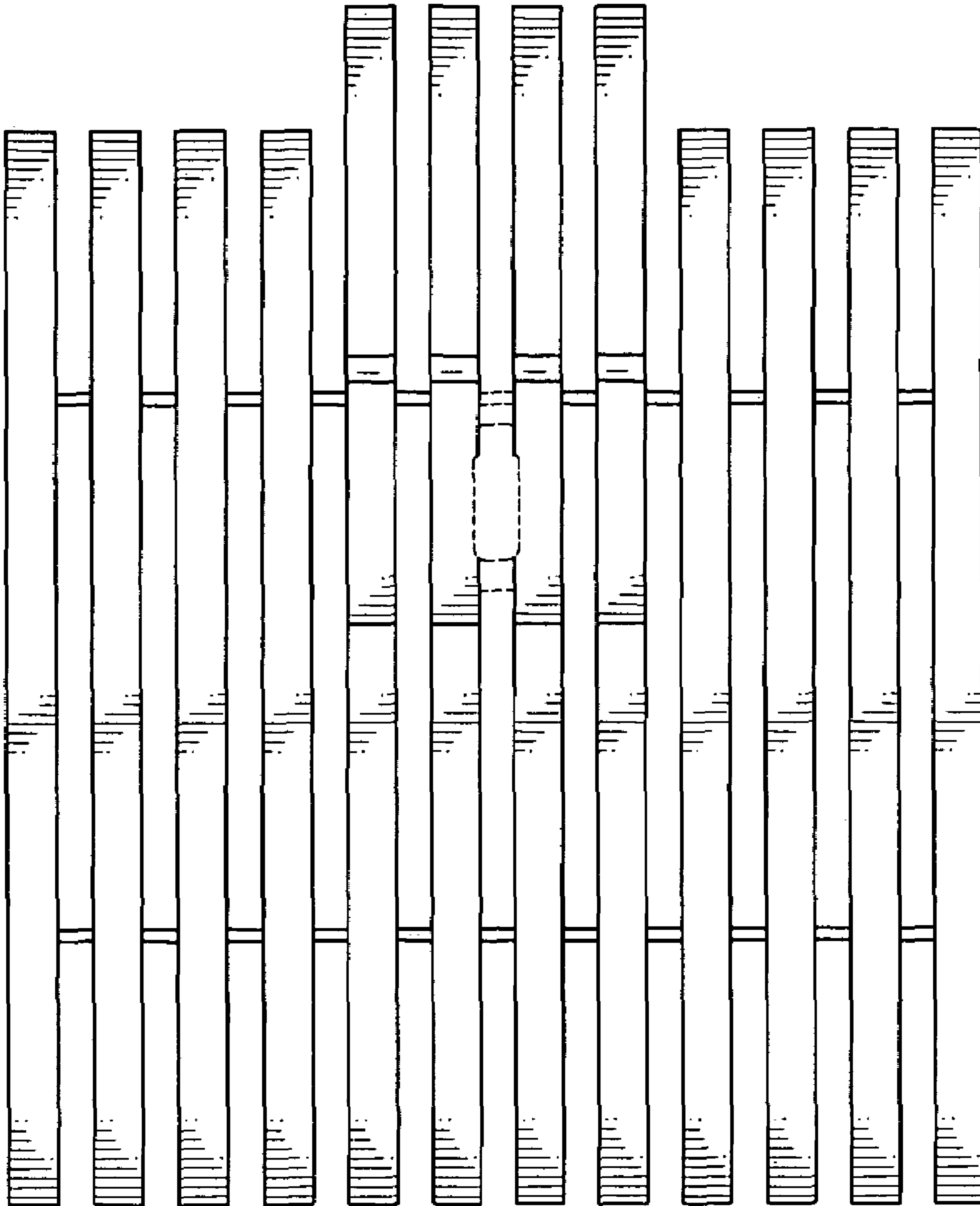


FIG. 6

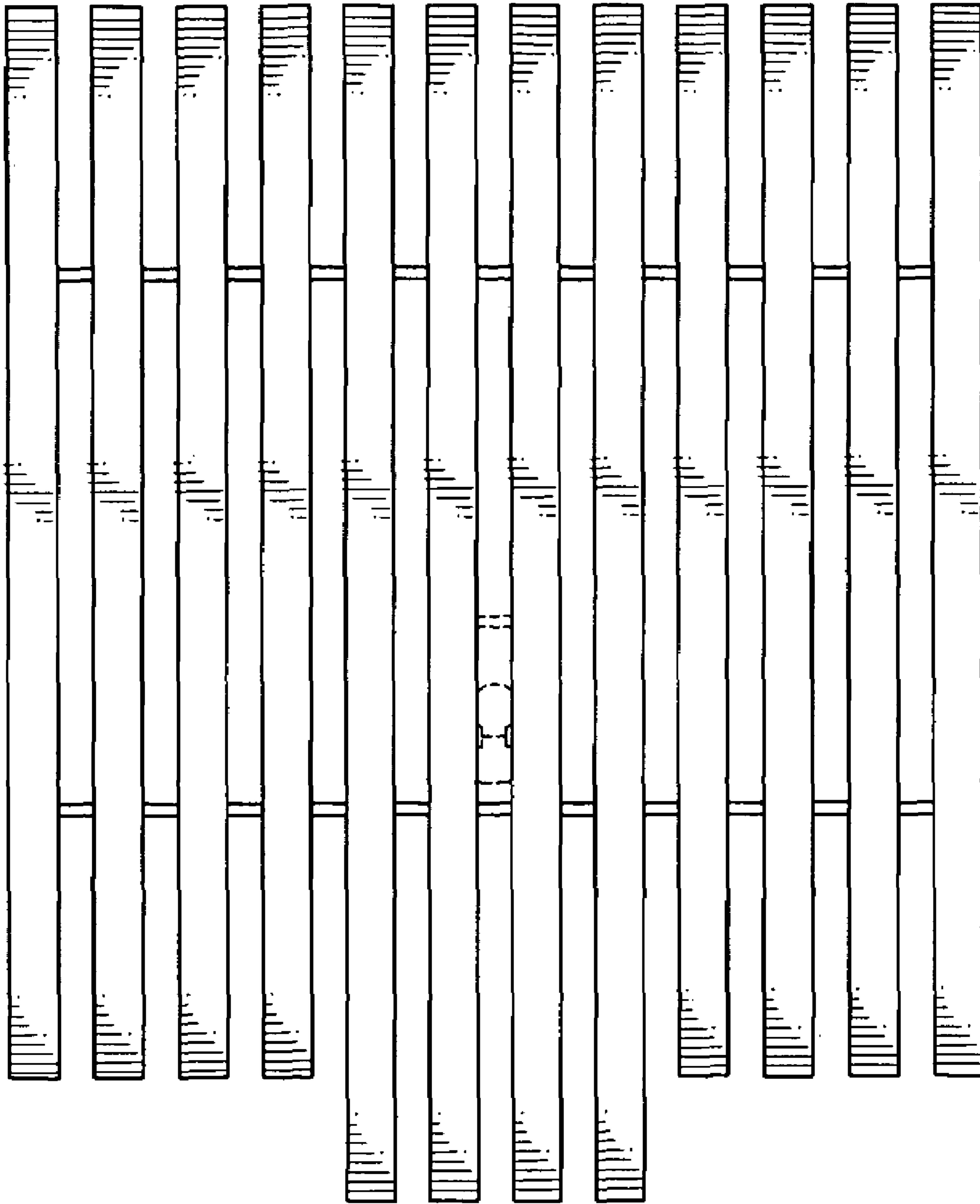


FIG. 7

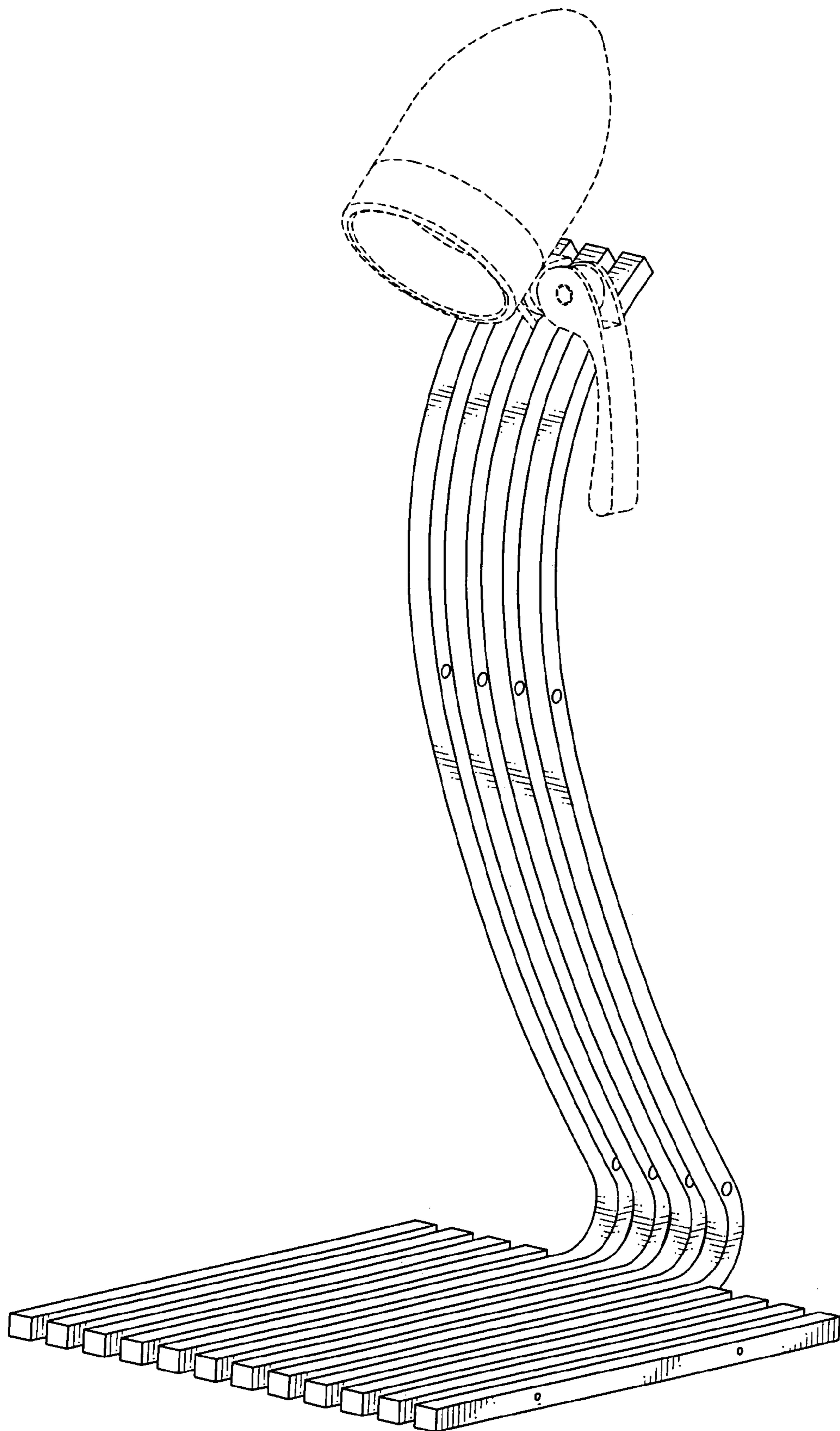


FIG.8