



US00D617486S

(12) **United States Design Patent**
Xiao et al.

(10) **Patent No.:** **US D617,486 S**
(45) **Date of Patent:** **** Jun. 8, 2010**

(54) **SOLAR LED LAMP**

(75) Inventors: **Xin-Jian Xiao**, Shenzhen (CN);
Shih-Hsun Wung, Taipei Hsien (TW)

(73) Assignee: **Foxconn Technology Co., Ltd.**,
Tu-Cheng, Taipei Hsien (TW)

(**) Term: **14 Years**

(21) Appl. No.: **29/319,242**

(22) Filed: **Jun. 5, 2008**

(51) **LOC (9) Cl.** **26-05**

(52) **U.S. Cl.** **D26/67**

(58) **Field of Classification Search** D26/67-72,
D26/85; 362/183, 431, 152-153.1
See application file for complete search history.

(56) **References Cited**

U.S. PATENT DOCUMENTS

D168,812 S *	2/1953	Ulrick	D26/67
D175,053 S *	6/1955	Vesely et al.	D26/67
D218,985 S *	10/1970	Anderson, Jr.	D26/67
D324,433 S *	3/1992	Camino et al.	D26/67
5,217,296 A *	6/1993	Tanner et al.	362/183
D379,545 S *	5/1997	Houghton et al.	D26/67
D396,121 S *	7/1998	West	D26/67

D533,675 S *	12/2006	Didier et al.	D26/67
D555,276 S *	11/2007	Stekelenburg	D26/67
D562,487 S *	2/2008	Romo	D26/67

* cited by examiner

Primary Examiner—Clare E Heflin

(74) *Attorney, Agent, or Firm*—Frank R. Niranjan

(57) **CLAIM**

The ornamental design for a solar LED lamp, as shown and described.

DESCRIPTION

FIG. 1 is a perspective view of a solar LED lamp showing our new design;

FIG. 2 is a front elevational view thereof;

FIG. 3 is a rear elevational view thereof;

FIG. 4 is a left-side, elevational view thereof;

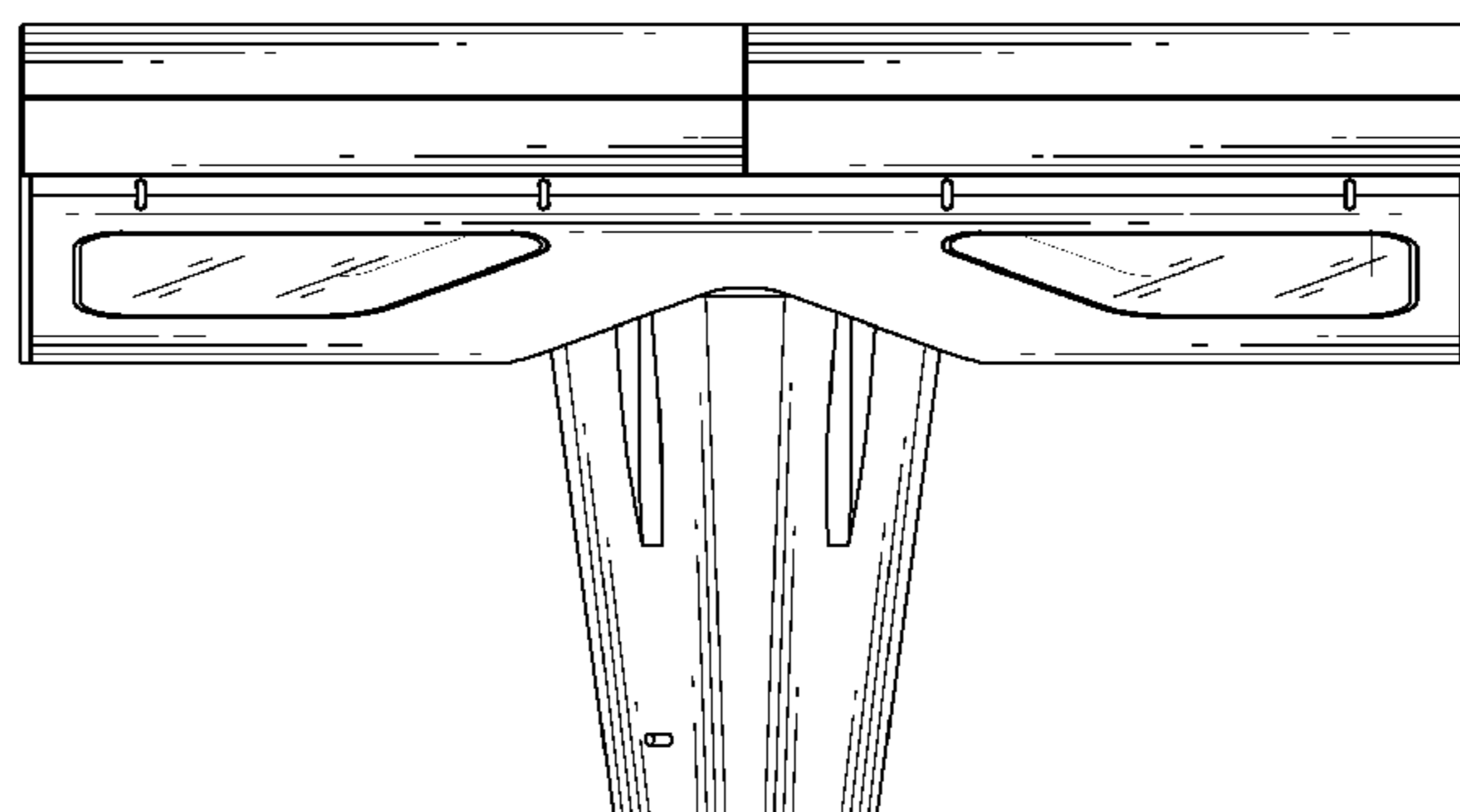
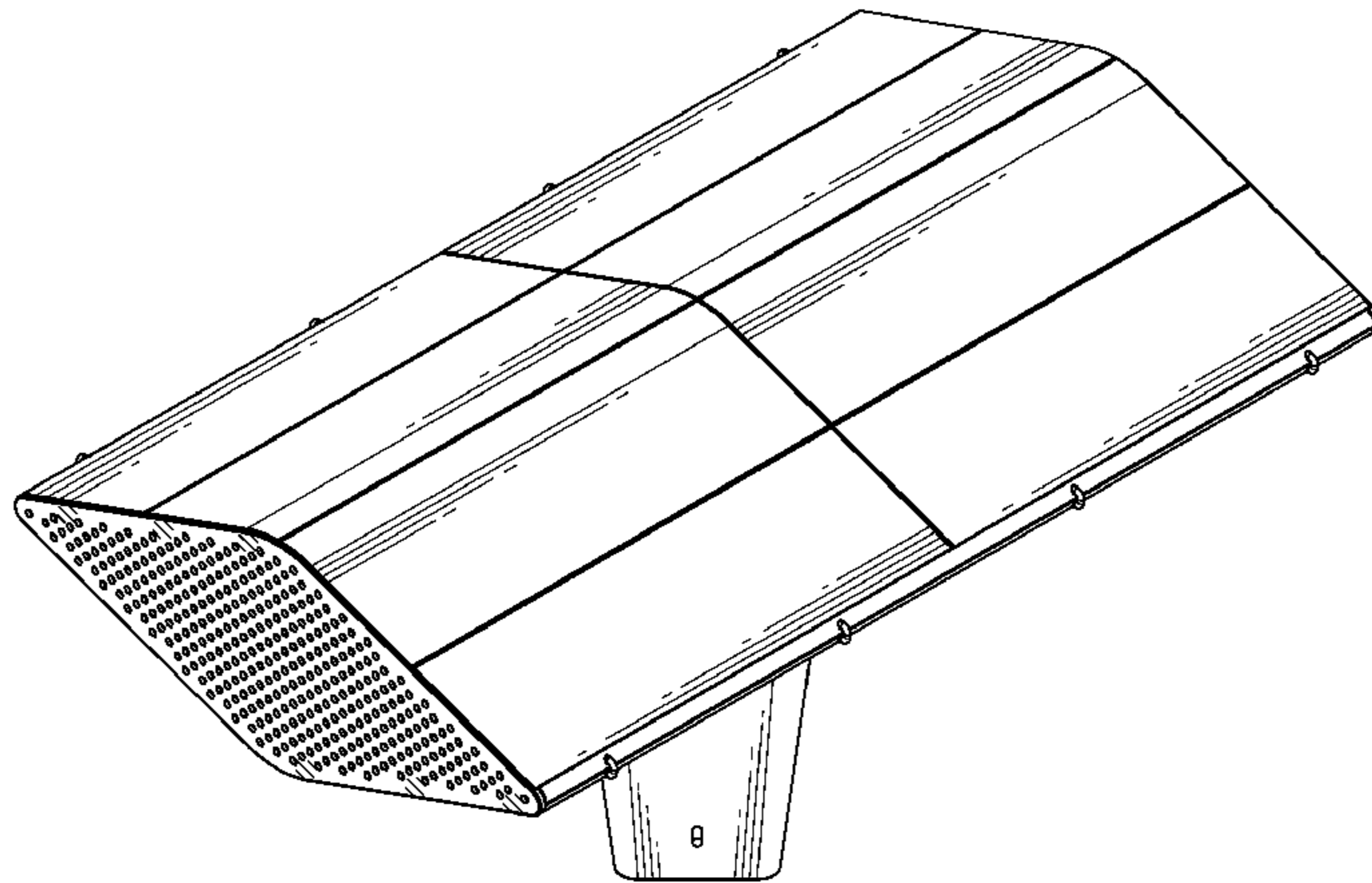
FIG. 5 is a right-side, elevational view thereof;

FIG. 6 is a top plan view thereof; and,

FIG. 7 is a bottom plan view thereof.

The structure shown in broken lines represents environment only and forms no part of the claimed design.

1 Claim, 7 Drawing Sheets



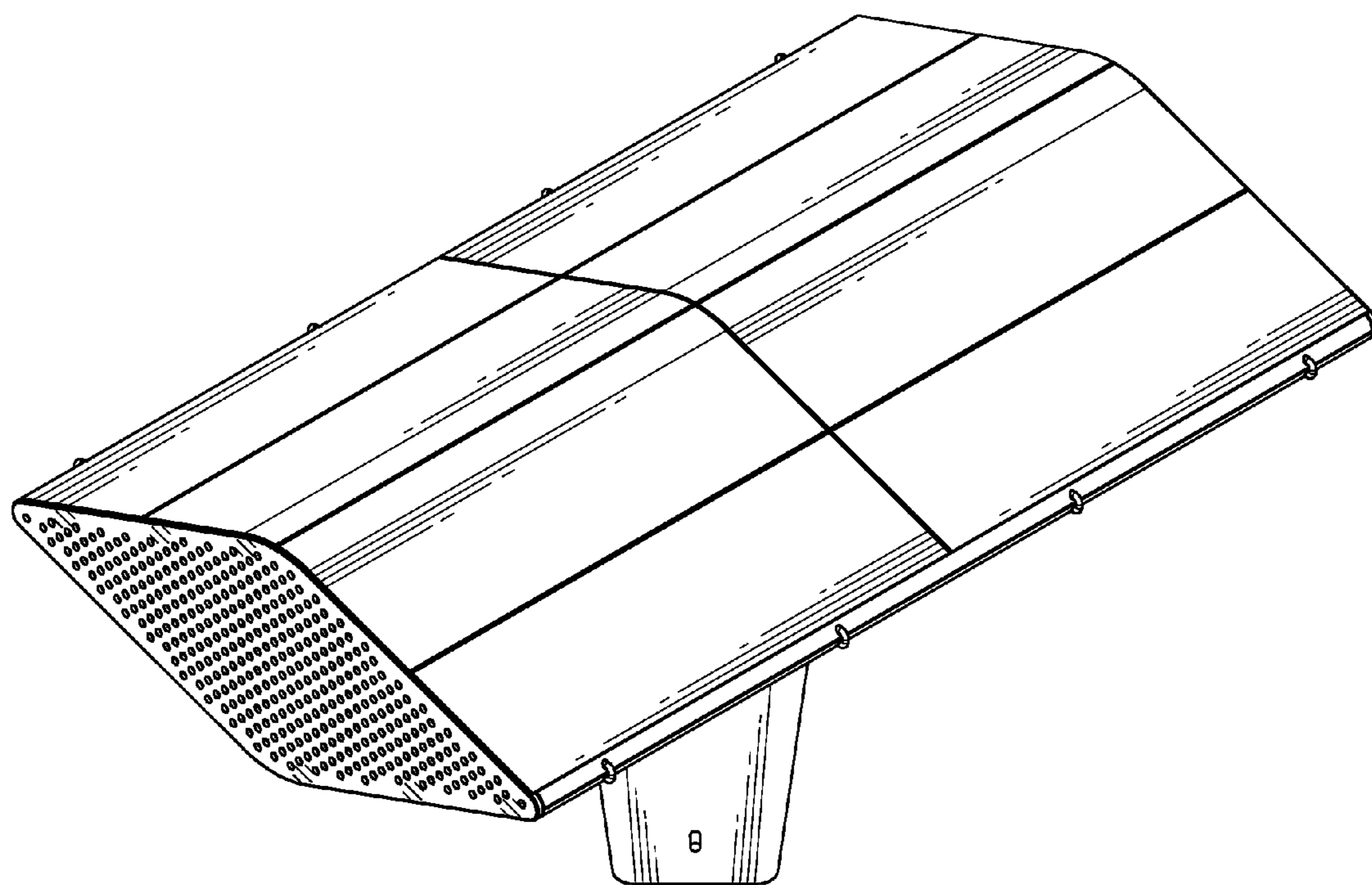


FIG. 1

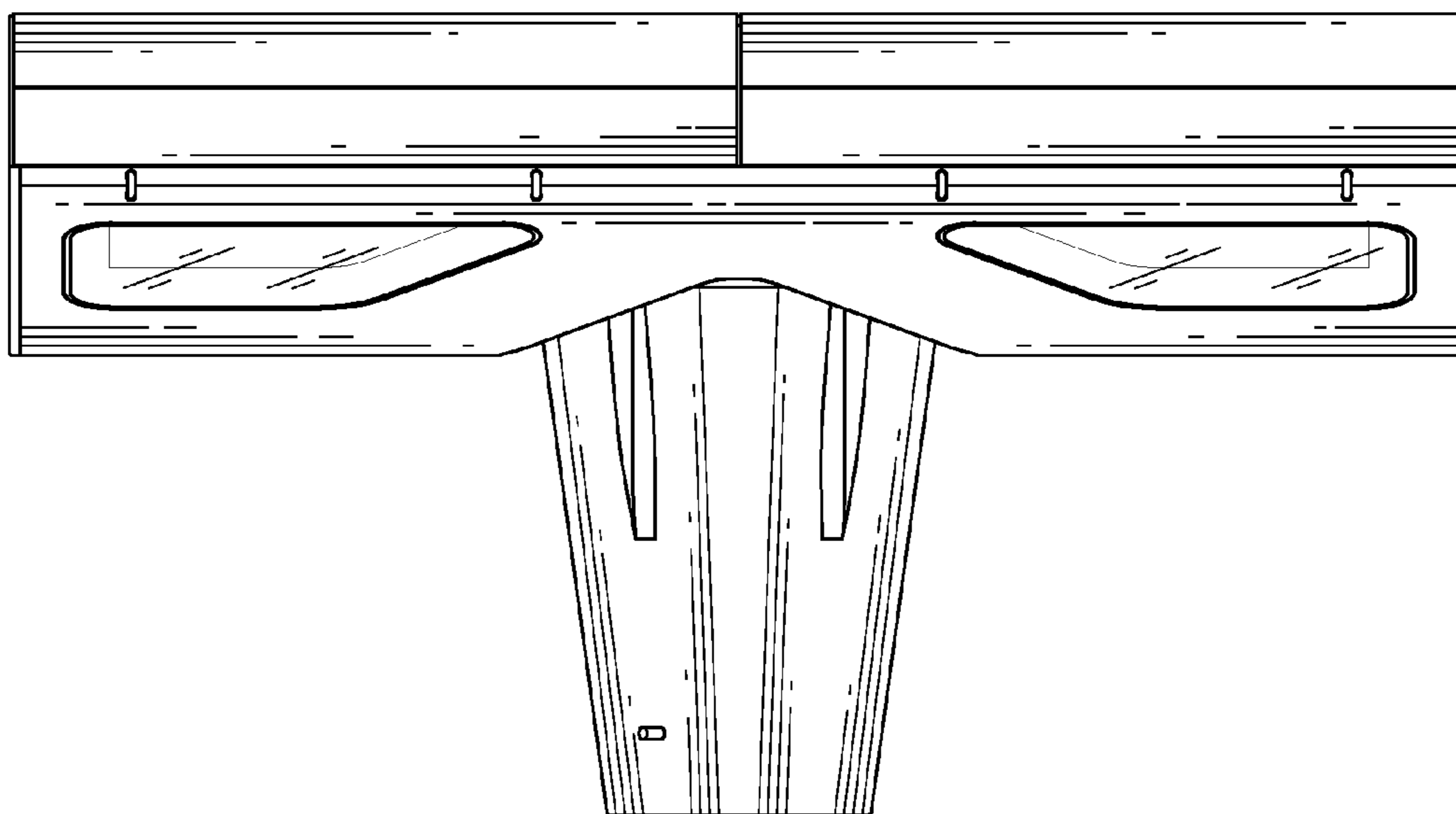


FIG. 2

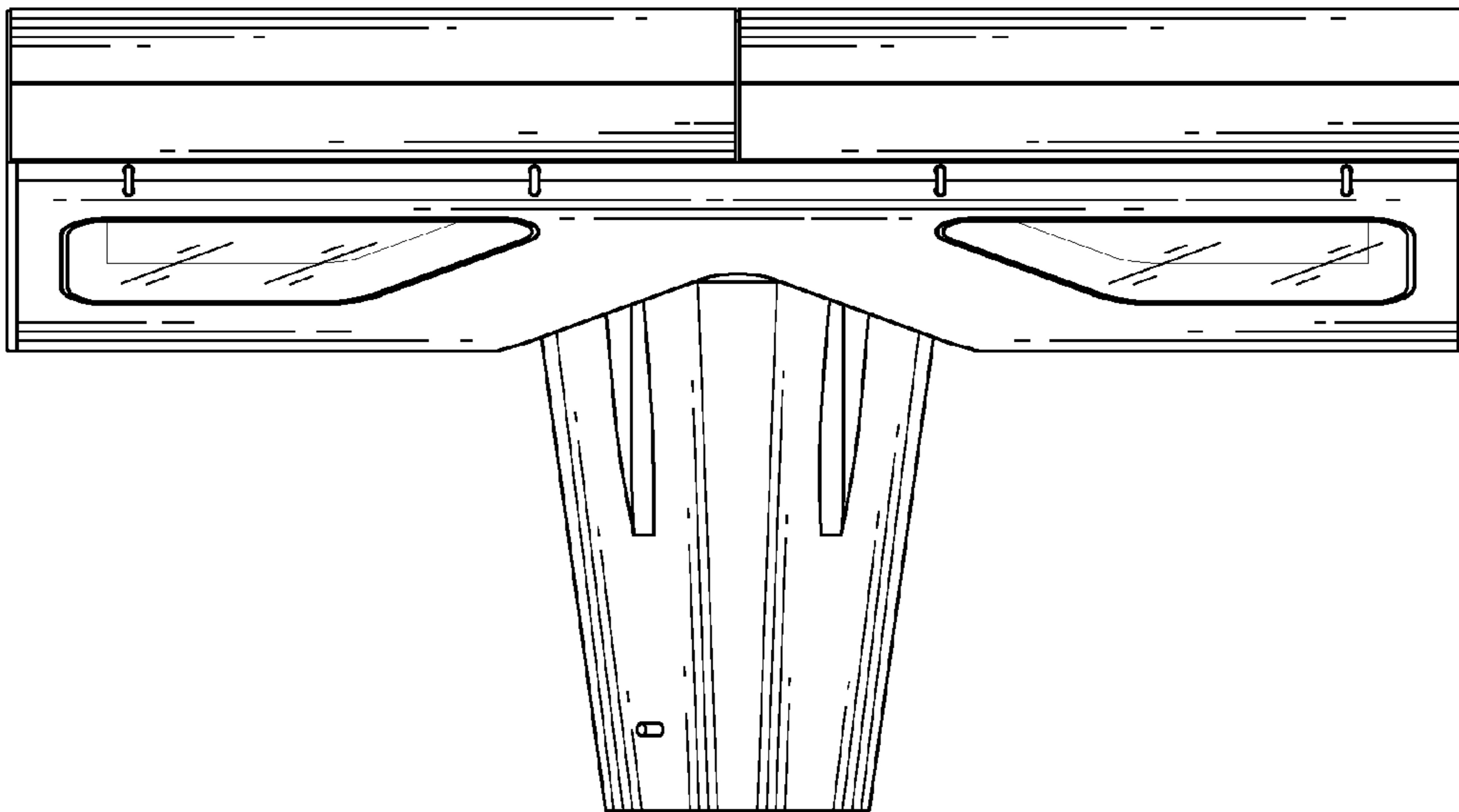


FIG. 3

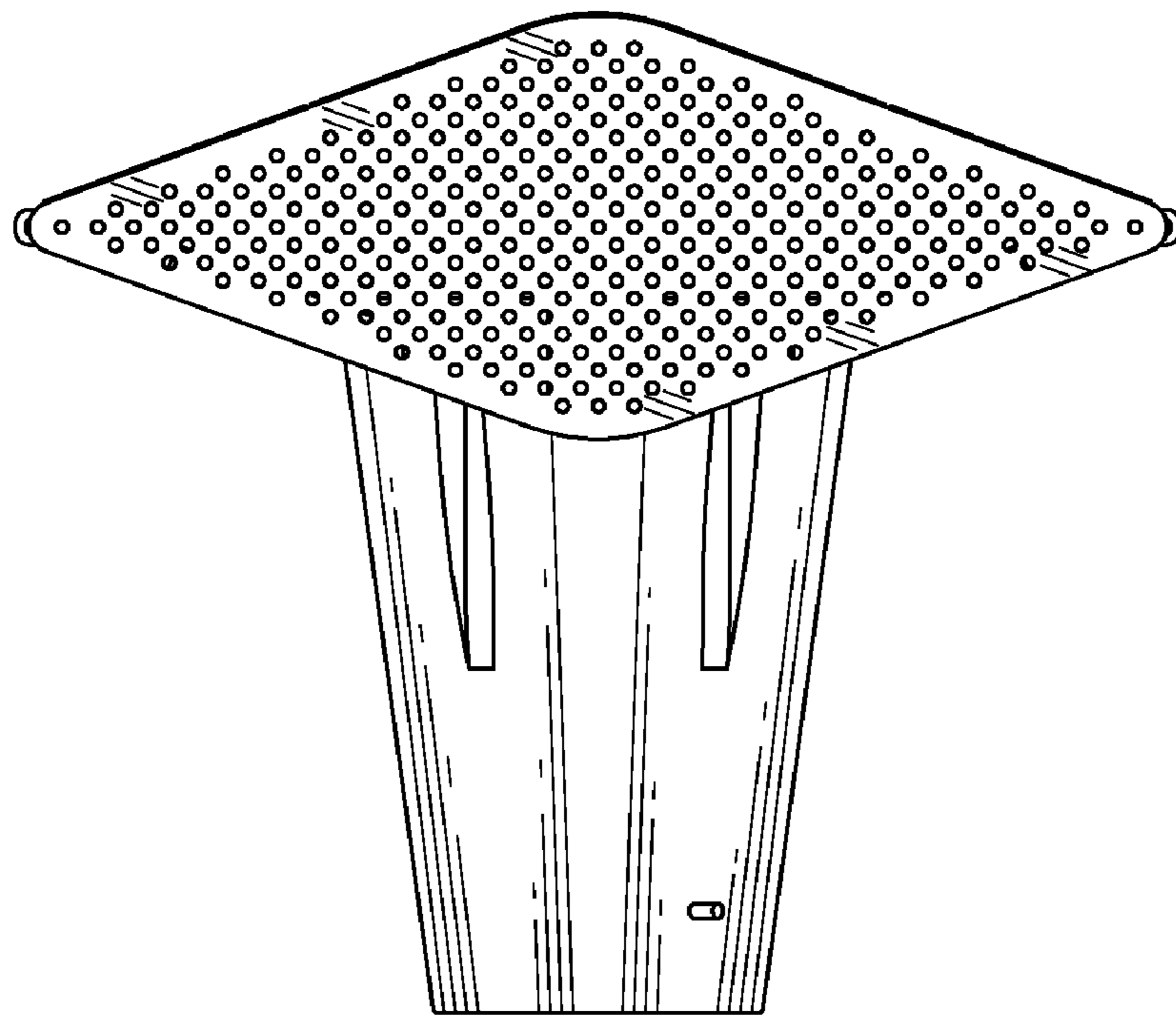


FIG. 4

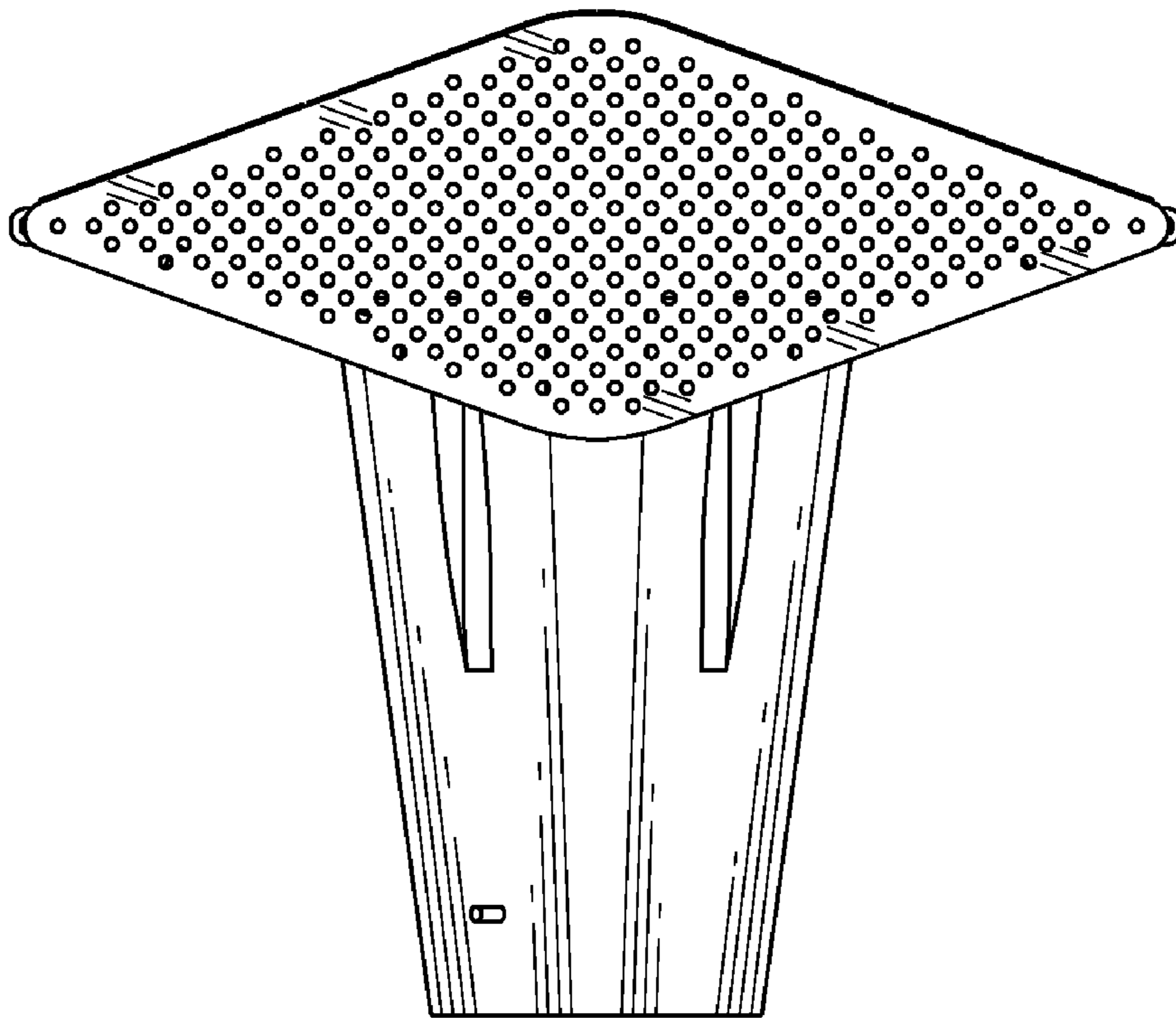


FIG. 5

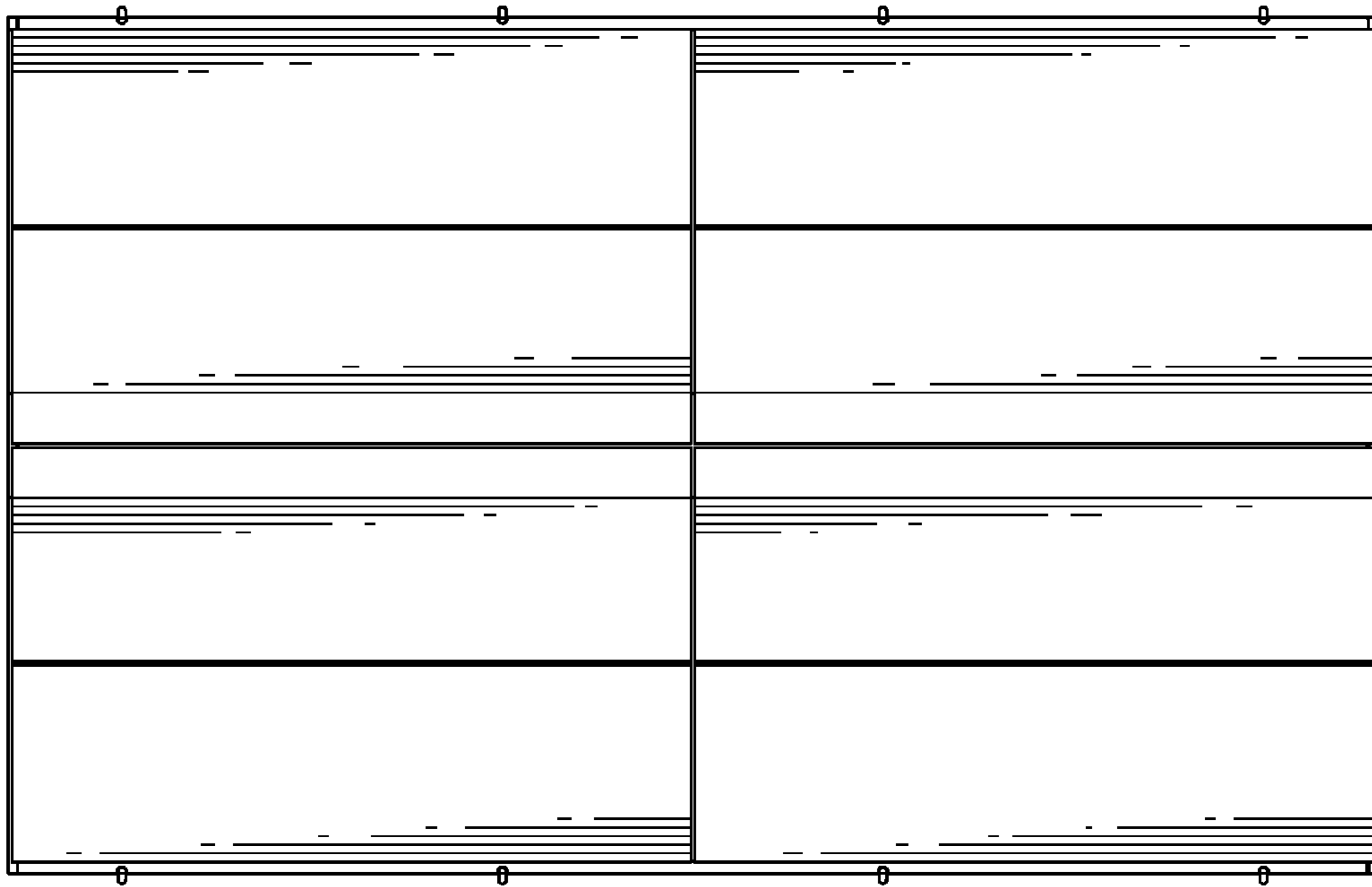


FIG. 6

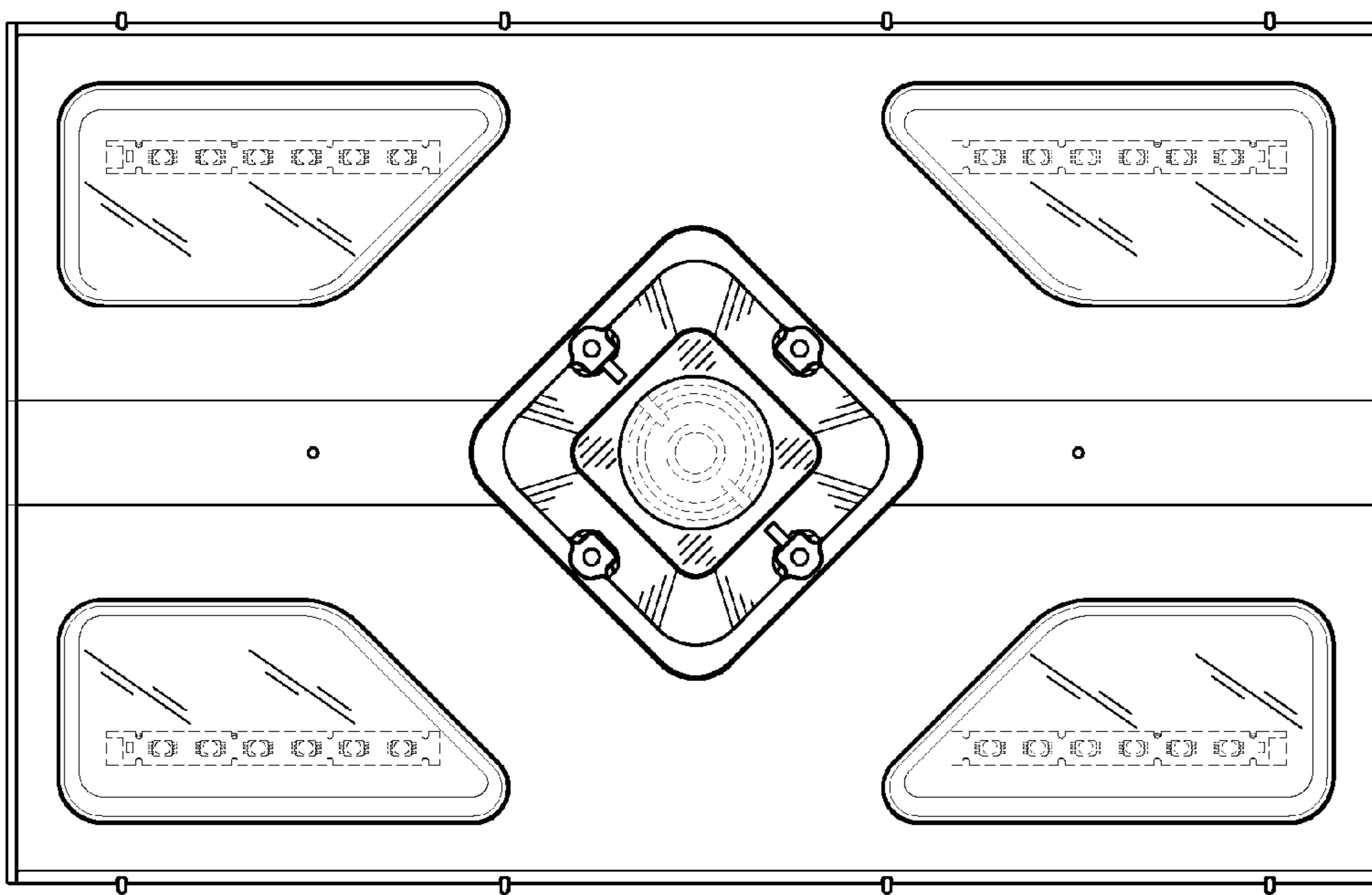


FIG. 7