



US00D617485S

(12) **United States Design Patent**  
**Hamilton et al.**

(10) **Patent No.:** **US D617,485 S**  
(45) **Date of Patent:** **\*\* Jun. 8, 2010**

- (54) **LAMP HOUSING**
- (75) Inventors: **John R. Hamilton**, Grand Rapids, MI (US); **James N. Ludwig**, E. Grand Rapids, MI (US)
- (73) Assignee: **Steelcase Inc.**, Grand Rapids, MI (US)
- (\*\*) Term: **14 Years**
- (21) Appl. No.: **29/318,640**
- (22) Filed: **May 23, 2008**
- (51) **LOC (9) Cl.** ..... **26-05**
- (52) **U.S. Cl.** ..... **D26/67; D26/89**
- (58) **Field of Classification Search** ..... D26/67-72, D26/85, 92, 89, 128, 131, 135; 362/145, 362/152, 183, 294, 373, 414, 431, 545, 453-456  
See application file for complete search history.

- 6,199,807 B1 3/2001 Ilijas
- 6,250,019 B1 6/2001 Simons, Jr. et al.
- 6,267,064 B1 7/2001 Ostertag et al.
- 6,286,275 B1 9/2001 Edwards
- D449,748 S 10/2001 Martin et al.
- D451,227 S \* 11/2001 Orellana et al. .... D26/67
- 6,374,548 B1 4/2002 Ruedinger et al.
- 6,386,723 B1 5/2002 Eberlein et al.
- D463,061 S 9/2002 Ludwig
- D465,049 S 10/2002 Ludwig
- 6,663,267 B2 12/2003 Newhouse et al.
- 7,032,523 B2 4/2006 Forslund, III et al.
- D529,653 S \* 10/2006 Galipeau et al. .... D26/67
- D571,494 S \* 6/2008 Friedman et al. .... D26/67
- D573,288 S \* 7/2008 Xu et al. .... D26/67
- D573,289 S \* 7/2008 Xu et al. .... D26/67
- D577,847 S \* 9/2008 Ruud et al. .... D26/71
- D580,580 S \* 11/2008 Lodhie .... D26/67

(56) **References Cited**

U.S. PATENT DOCUMENTS

- 264,599 A 9/1882 Allen
- 1,540,012 A 6/1925 January
- 1,724,726 A \* 8/1929 Rolph ..... D26/128
- D86,453 S \* 3/1932 Gunnison ..... D26/88
- D189,313 S \* 11/1960 Rambusch et al. .... D26/88
- 3,042,742 A \* 7/1962 Foster ..... D26/88
- 3,107,864 A 10/1963 Kinnear et al.
- D199,999 S \* 1/1965 Simon ..... D26/67
- 3,389,246 A 6/1968 Shemitz
- 3,538,862 A 11/1970 Patriarca
- 4,097,918 A 6/1978 Anderson et al.
- 4,219,101 A 8/1980 Valsvik
- 4,351,017 A 9/1982 Ball
- 4,750,586 A 6/1988 Lerner et al.
- 4,991,065 A 2/1991 Engel
- D321,407 S 11/1991 Heidmann
- 5,150,554 A 9/1992 Quinlan, Jr. et al.
- D343,250 S \* 1/1994 Fouke et al. .... D26/88
- D343,251 S \* 1/1994 Fouke et al. .... D26/88
- 5,638,650 A 6/1997 Edwards
- D398,166 S 9/1998 Mitchell
- 5,881,500 A 3/1999 Latino et al.
- D437,708 S 2/2001 Bargmann et al.

(Continued)

*Primary Examiner*—Clare E Heflin  
(74) *Attorney, Agent, or Firm*—Price, Heneveld, Cooper, DeWitt & Litton, LLP

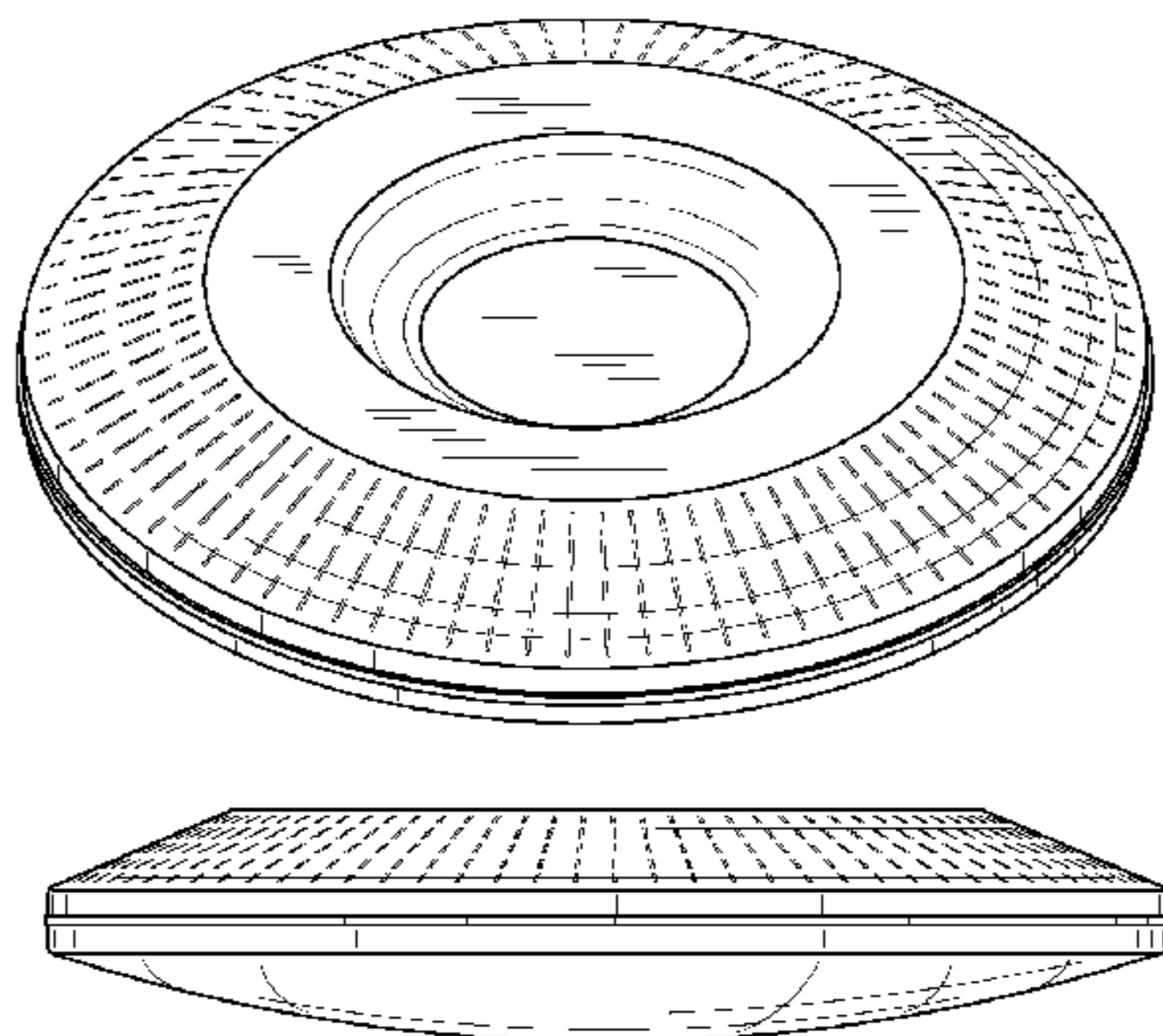
(57) **CLAIM**

We claim the ornamental design for a lamp housing, as shown and described.

**DESCRIPTION**

FIG. 1 is a top perspective view of a lamp housing showing the present invention;  
FIG. 2 is a side elevation view thereof;  
FIG. 3 is top plan view thereof; and,  
FIG. 4 is a bottom plan view thereof.  
The broken lines shown on the drawings represent environment only and form no part of the claimed design.

**1 Claim, 1 Drawing Sheet**



# US D617,485 S

Page 2

---

## U.S. PATENT DOCUMENTS

D583,494 S *	12/2008	Friedman et al. ....	D26/68	2002/0100227 A1	8/2002	Barnhouse et al.
D599,935 S *	9/2009	van Klinken .....	D26/67	2004/0250480 A1	12/2004	Matthai
7,611,264 B1 *	11/2009	Chang et al. ....	362/249.02	2005/0263041 A1	12/2005	Mueller et al.
				2009/0109676 A1*	4/2009	Lodhie ..... 362/249.06

\* cited by examiner

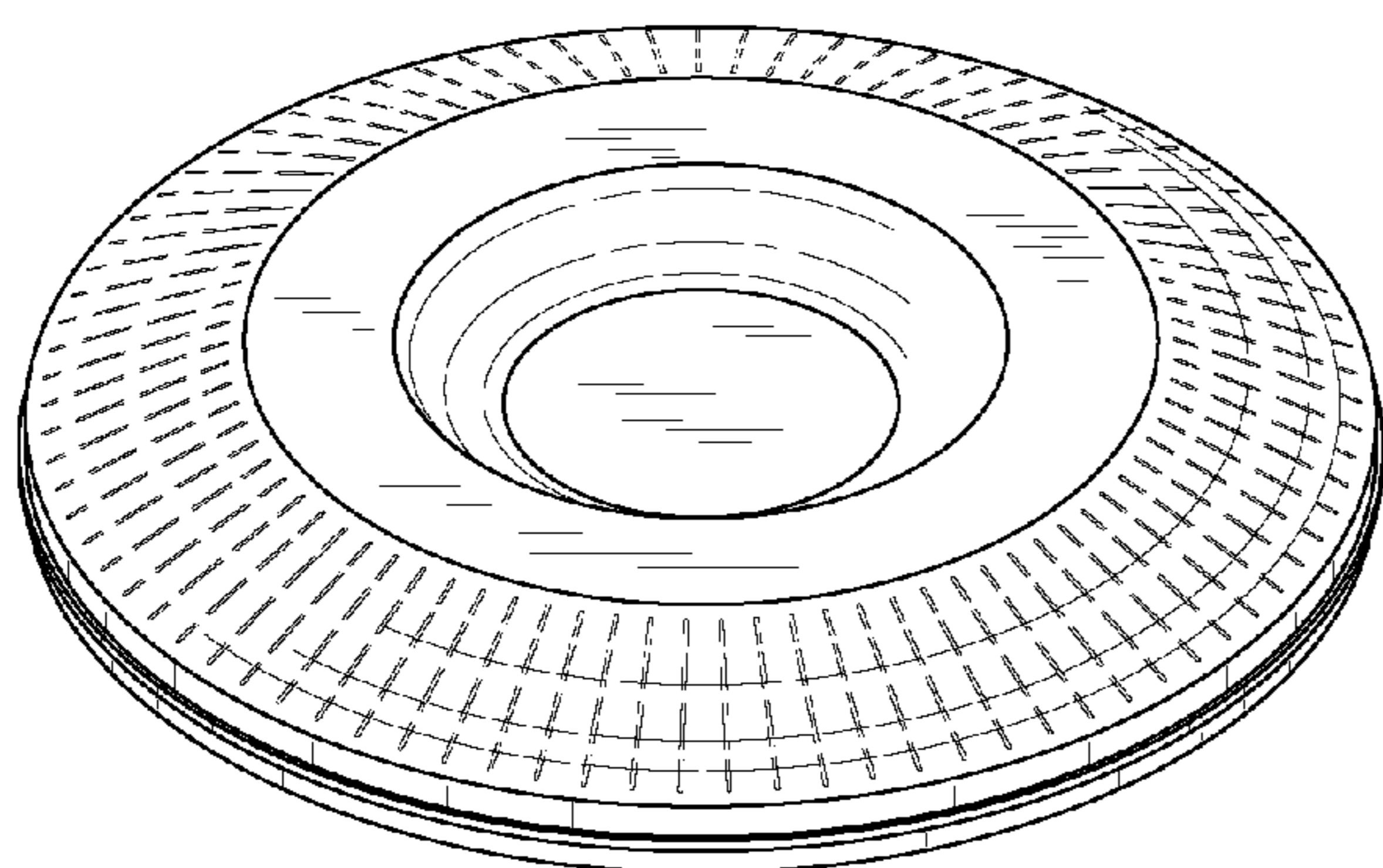


FIG. 1

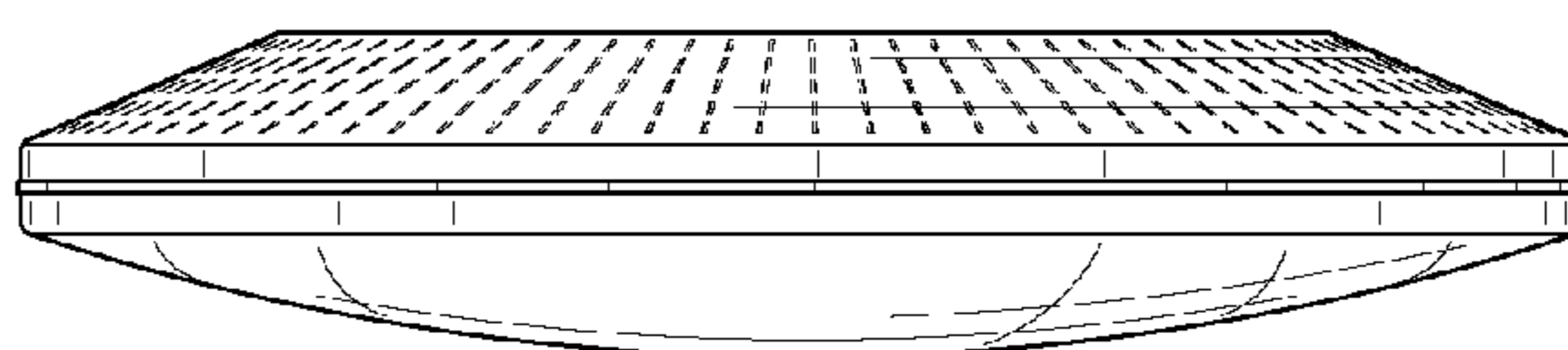


FIG. 2

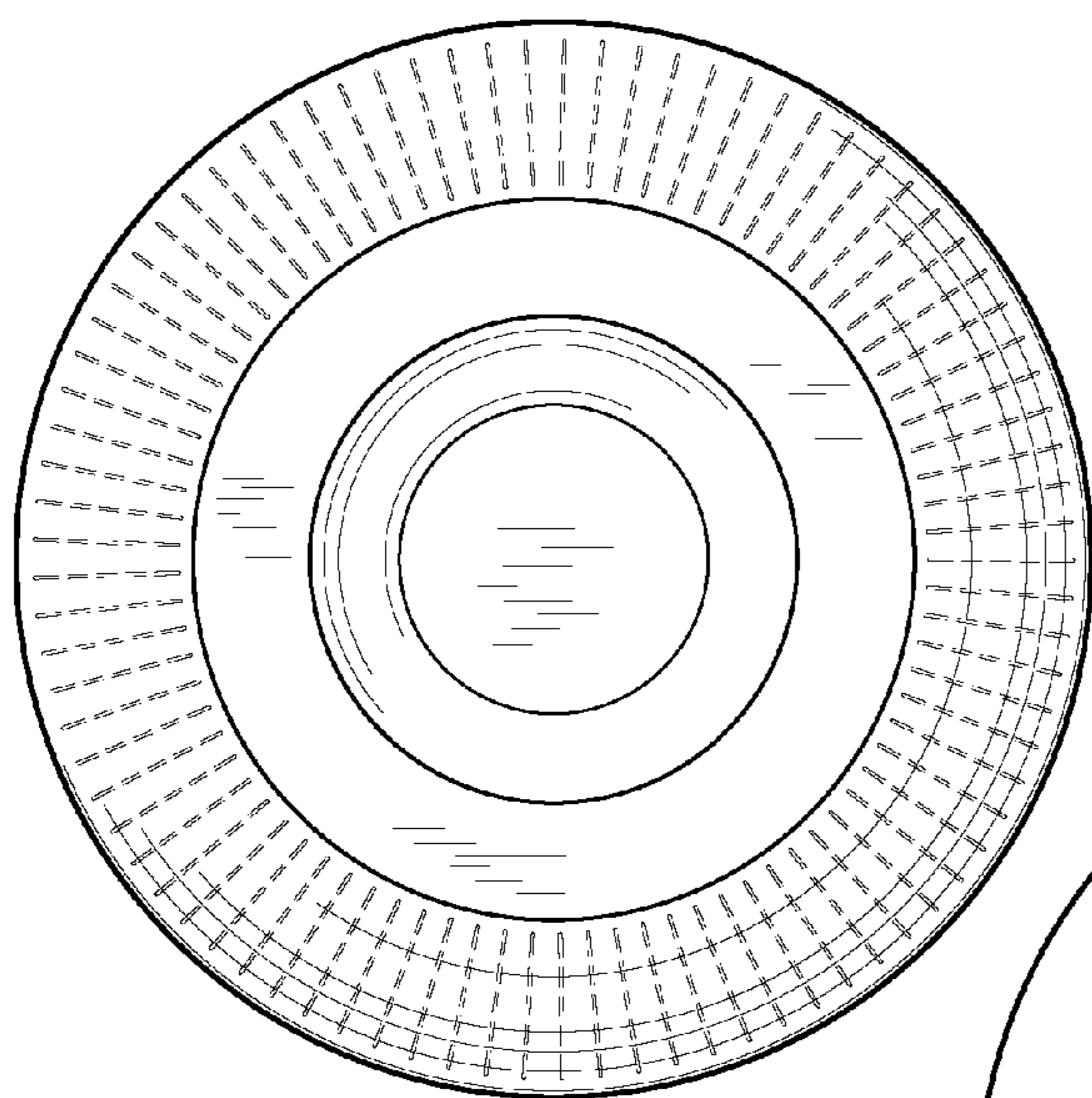


FIG. 3

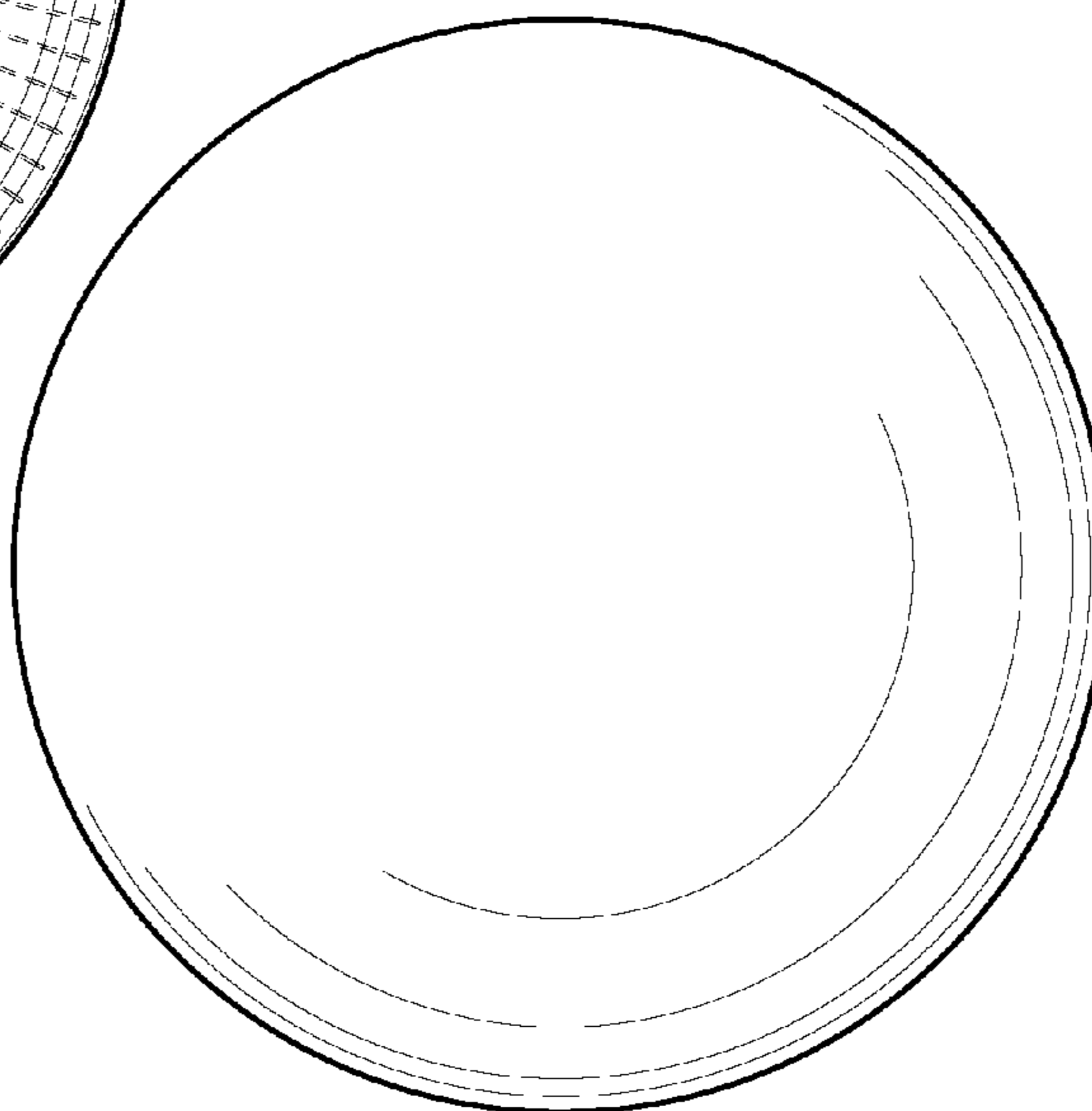


FIG. 4