



US00D617483S

(12) **United States Design Patent**
Fredricks

(10) **Patent No.:** **US D617,483 S**

(45) **Date of Patent:** **** Jun. 8, 2010**

(54) **CURVILINEAR AQUARIUM LIGHT**

(75) Inventor: **Dennis Fredricks**, Escondido, CA (US)

(73) Assignee: **Cogent Designs, Inc.**, Escondido, CA (US)

(**) Term: **14 Years**

(21) Appl. No.: **29/331,375**

(22) Filed: **Jan. 23, 2009**

(51) **LOC (9) Cl.** **26-05**

(52) **U.S. Cl.** **D26/51**

(58) **Field of Classification Search** D26/37,
D26/38, 39, 46, 49, 50; 362/157, 158, 184,
362/194-196, 190, 200-208, 101, 253; 119/265-267;
D30/101, 104-107

See application file for complete search history.

(56) **References Cited**

U.S. PATENT DOCUMENTS

3,530,829	A *	9/1970	Willinger	119/265
3,706,299	A *	12/1972	Hendges	119/258
3,841,267	A *	10/1974	Miller	119/266
3,857,366	A *	12/1974	Willinger	119/266
D249,074	S *	8/1978	Groth	D30/107
D250,969	S *	1/1979	Hackenberg	D26/51
4,967,694	A *	11/1990	Waldman	119/246
5,165,778	A *	11/1992	Matthias et al.	362/101
5,353,746	A *	10/1994	Del Rosario	119/266
5,435,270	A *	7/1995	Newman	119/257
5,546,289	A *	8/1996	Gordon	362/101
6,065,849	A *	5/2000	Chen	362/101
6,086,215	A *	7/2000	Giattino et al.	362/101

D548,407	S *	8/2007	Mihlbauer	D30/107
7,500,776	B1 *	3/2009	Buczko	362/562
2006/0271340	A1 *	11/2006	Levine	702/188
2007/0151523	A1 *	7/2007	Suteerawanit et al.	119/253
2007/0234967	A1 *	10/2007	Margerum et al.	119/257
2008/0266836	A1 *	10/2008	Hadley	362/101
2008/0290816	A1 *	11/2008	Chen et al.	315/294
2008/0316732	A1 *	12/2008	Blake	362/101
2009/0161347	A1 *	6/2009	Teng et al.	362/101

* cited by examiner

Primary Examiner—Ian Simmons

Assistant Examiner—Carissa C Fitts

(74) *Attorney, Agent, or Firm*—Sheppard Mullin Richter & Hampton LLP; David E. Heisey

(57) **CLAIM**

We claim the ornamental design for a curvilinear aquarium light, as shown and described.

DESCRIPTION

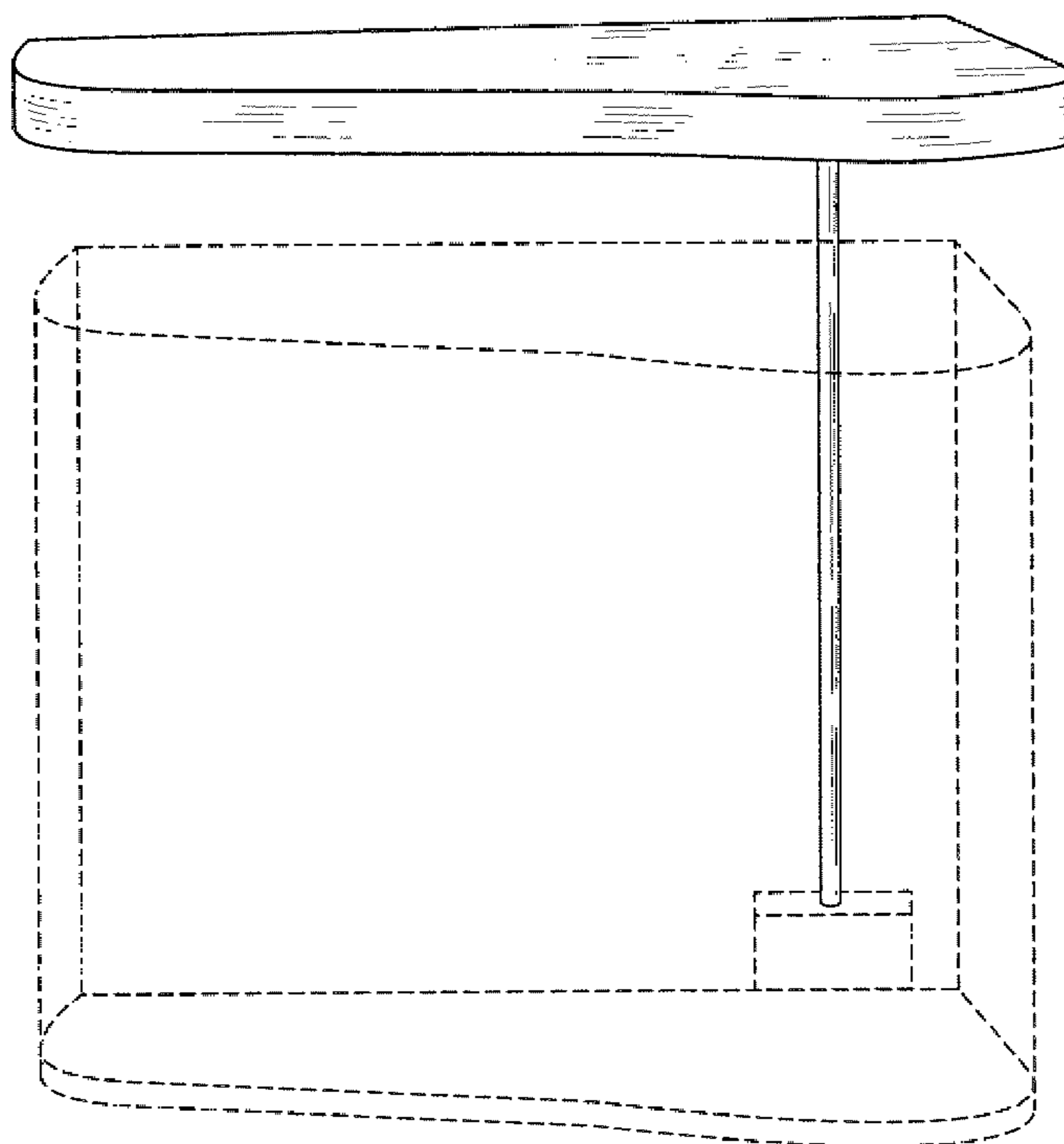
FIG. 1 is a front view of an aquarium light with the new design.

FIG. 2 is the front view of the aquarium light of FIG. 1 with the aquarium light pivoted away from the aquarium opening; and,

FIG. 3 is the perspective view of the aquarium light of FIG. 1 with the aquarium light pivoted away from the aquarium opening.

The dashed lines are for illustrative purposes only and form no part of the claimed design.

1 Claim, 3 Drawing Sheets



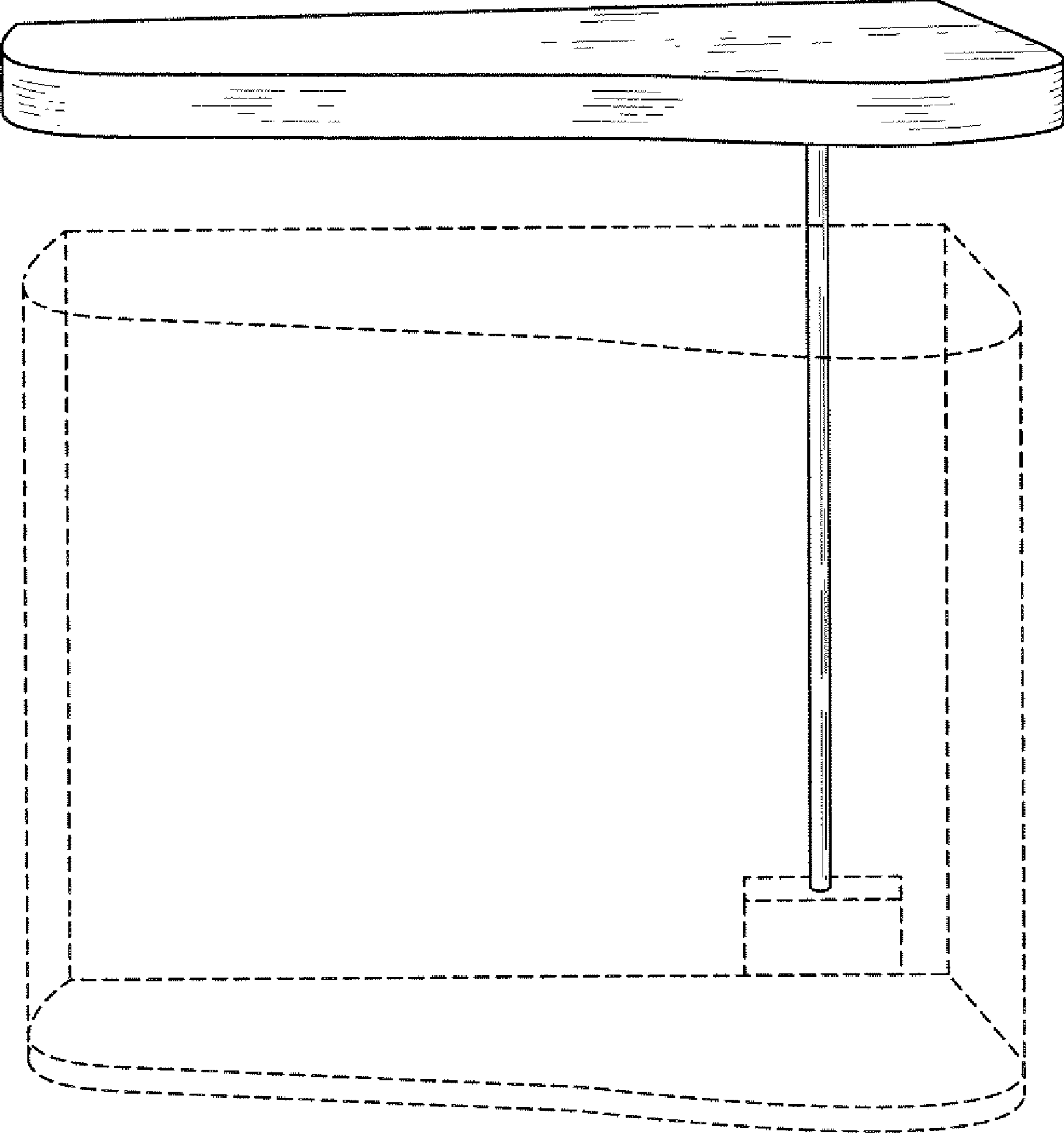


FIG. 1

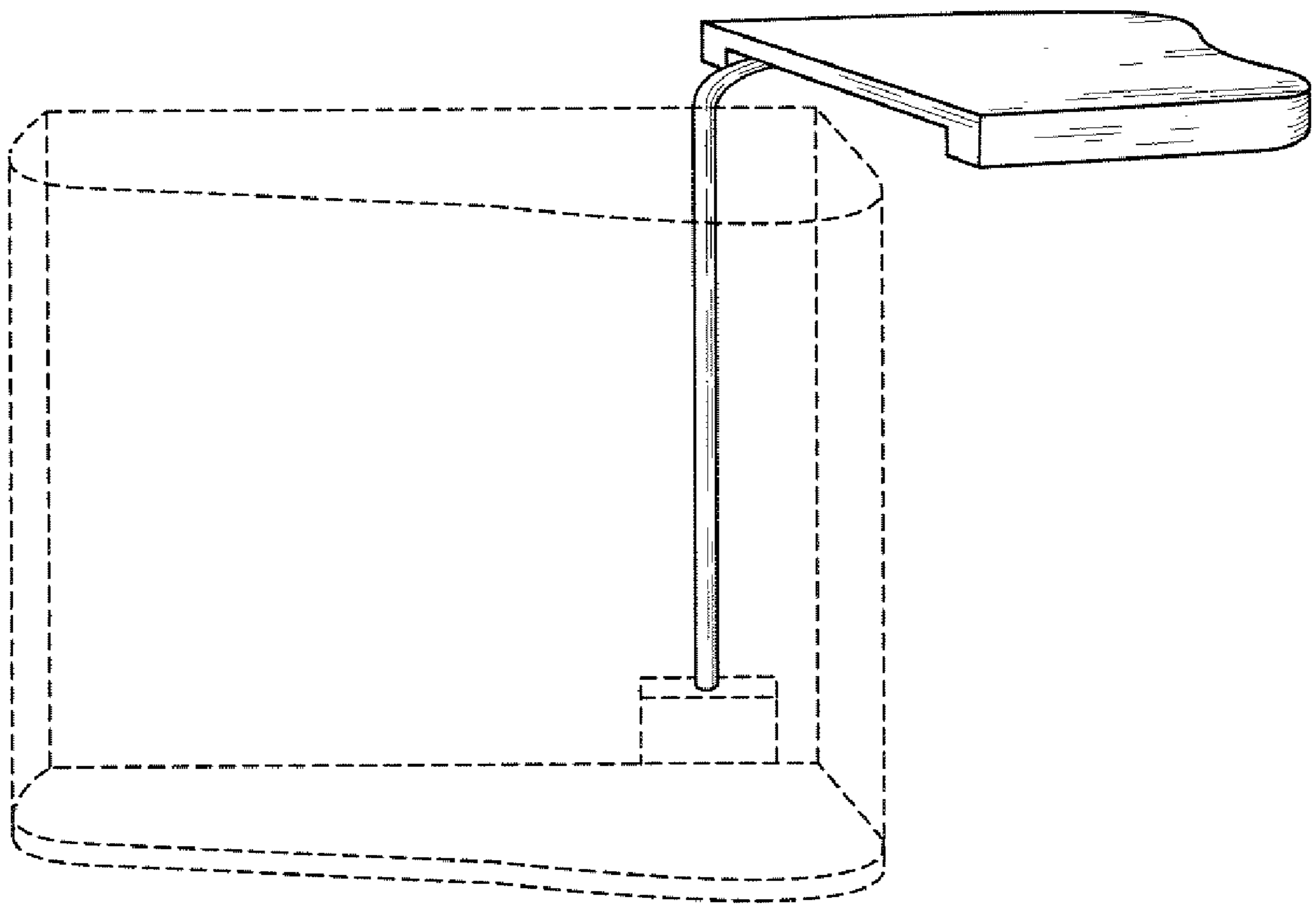


FIG. 2

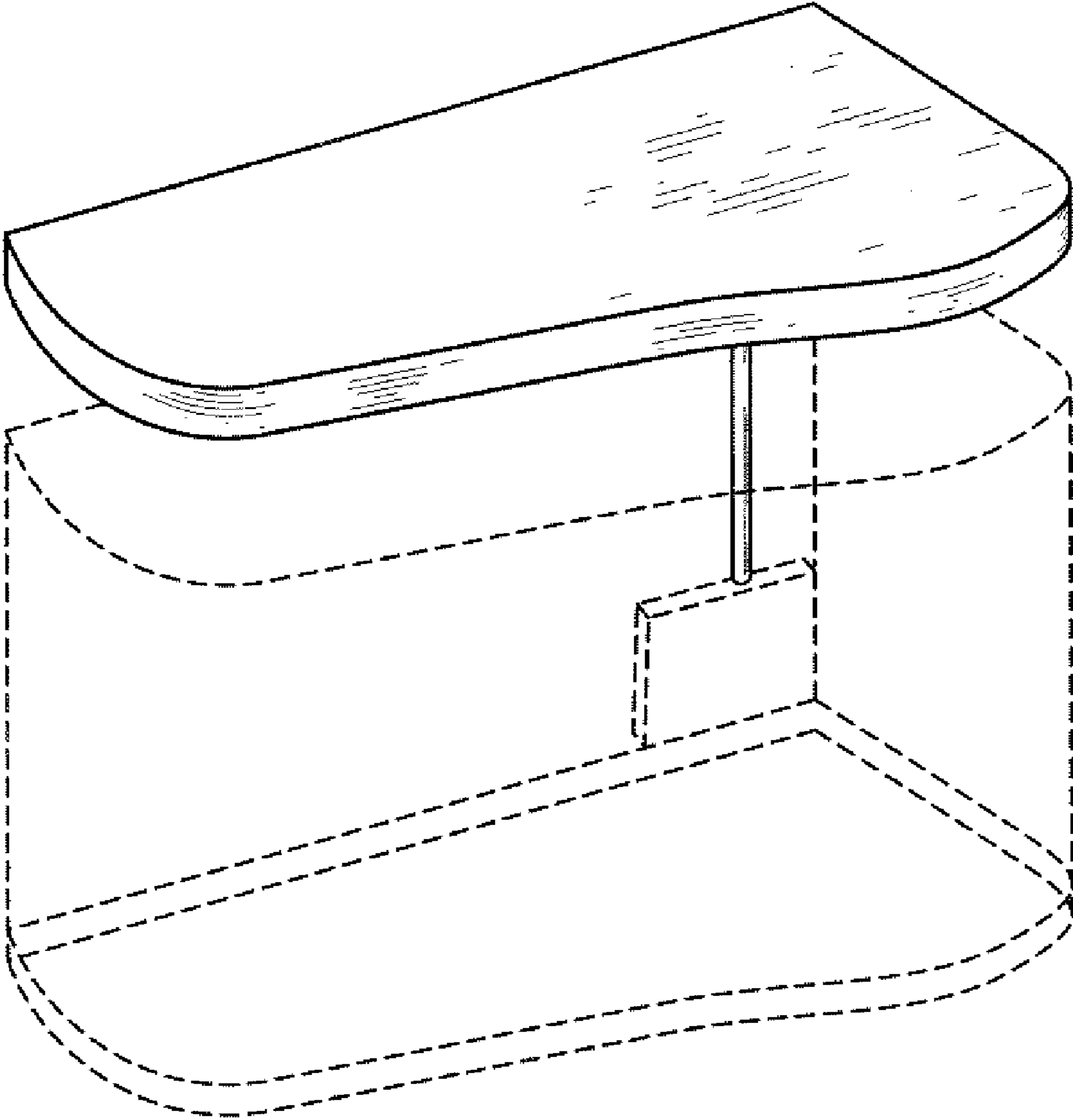


FIG. 3