

US00D617471S

(12) **United States Design Patent**
Keel et al.

(10) **Patent No.:** **US D617,471 S**
(45) **Date of Patent:** **** *Jun. 8, 2010**

- (54) **CENTRIFUGALLY CAST DUCTILE IRON UTILITY POLE HAVING STEPPED PORTIONS**
- (75) Inventors: **Michael C. Keel**, Birmingham, AL (US);
Joseph F. Carter, Warsaw, OH (US);
Keith W. Mallett, Newark, OH (US);
Steven G. Meisel, Coshocton, OH (US)
- (73) Assignee: **McWane Global**, Birmingham, AL (US)
- (*) Notice: This patent is subject to a terminal disclaimer.
- (**) Term: **14 Years**

D384,756 S *	10/1997	Wilmotte	D25/126
5,704,187 A	1/1998	Hosford et al.	
5,784,851 A	7/1998	Waugh	
D404,505 S *	1/1999	Welsch	D25/126
6,335,065 B1	1/2002	Steinlage et al.	
6,399,881 B2	6/2002	Edelstein	
6,467,233 B1	10/2002	Maliszewski et al.	
6,468,003 B2	10/2002	Merjan et al.	
6,932,143 B2	8/2005	Noble	
D541,956 S *	5/2007	Paharik et al.	D25/126
7,237,312 B2	7/2007	Enns	
7,343,718 B2	3/2008	Foust et al.	
2004/0211148 A1	10/2004	Foust et al.	

(21) Appl. No.: **29/333,340**

(Continued)

(22) Filed: **Mar. 6, 2009**

FOREIGN PATENT DOCUMENTS

- (51) **LOC (9) Cl.** **25-01**
- (52) **U.S. Cl.** **D25/126**
- (58) **Field of Classification Search** 174/45 R;
52/2.21, 93.1, 223.4, 726.4, 831; D25/126
See application file for complete search history.

GB 2121708 A 1/1984

(Continued)

(56) **References Cited**

U.S. PATENT DOCUMENTS

122,656 A	1/1872	Rogers	
232,360 A	9/1880	Milliken	
295,905 A *	4/1884	Brott	52/834
415,324 A	11/1889	Greene	
538,835 A	5/1895	Kneass	
1,329,295 A	1/1920	De Lavaud	
1,675,716 A	7/1928	Losey	
1,810,091 A	6/1931	Siegle	
2,066,419 A *	1/1937	Pfistershammer	52/843
3,456,712 A	7/1969	Schuh	
3,509,678 A *	5/1970	Dake	248/218.4
3,612,154 A	10/1971	Denyszyn et al.	
3,713,262 A	1/1973	Jatcko	
4,317,271 A	3/1982	Chakravarti	
4,405,398 A	9/1983	Rother et al.	
4,436,781 A	3/1984	Rother et al.	
4,448,610 A	5/1984	Bellocci	

Primary Examiner—Doris Clark
(74) Attorney, Agent, or Firm—C. Brandon Browning;
Maynard, Cooper & Gale, PC

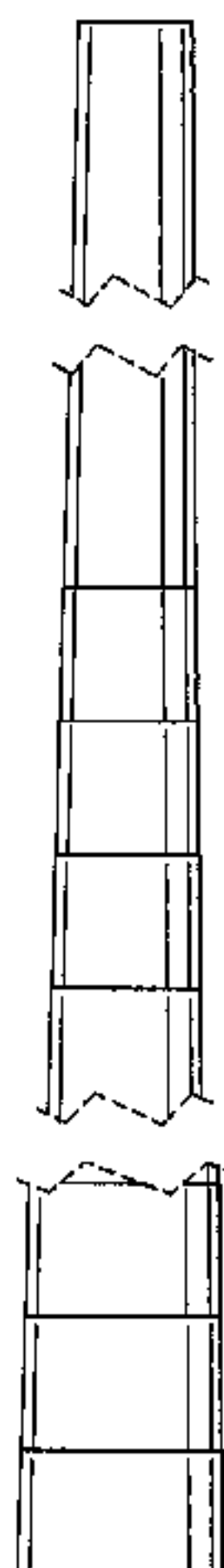
(57) **CLAIM**

The ornamental design for a centrifugally cast ductile iron utility pole having stepped portions, as shown and described.

DESCRIPTION

FIG. 1 is an enlarged front elevation view of the present invention, broken at intervals for ease of illustration.
FIG. 2 is a perspective view thereof; and,
FIG. 3 is an enlarged elevation view of one of the stepped portions of the centrifugally cast ductile iron utility pole having stepped portions of FIG. 1.

1 Claim, 2 Drawing Sheets



US D617,471 S

Page 2

U.S. PATENT DOCUMENTS

2006/0056934 A1 3/2006 Demarest et al.
2007/0245680 A1 10/2007 Cairo
2008/0023172 A1 1/2008 Waugh
2008/0250752 A1 10/2008 Bowman et al.
2009/0000227 A1 1/2009 Jakubowski et al.
2009/0019816 A1 1/2009 Lockwood et al.

FOREIGN PATENT DOCUMENTS

JP 61-14060 1/1961
JP 2002283025 A 10/2002
JP 2004058094 A 2/2004
WO 2008/011287 A2 1/2008

* cited by examiner

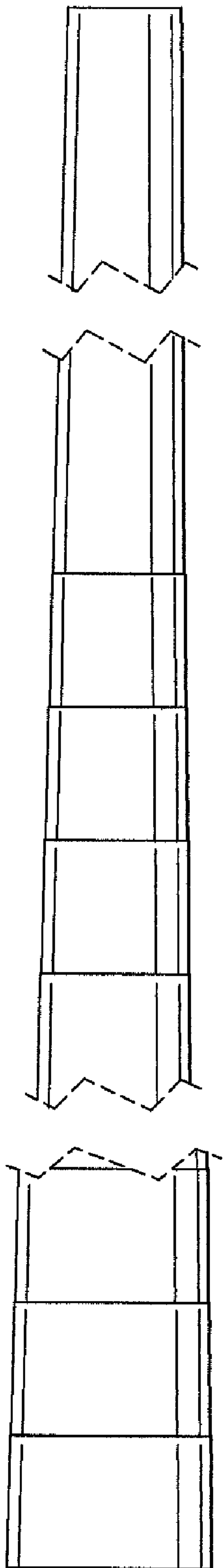


FIG. 1

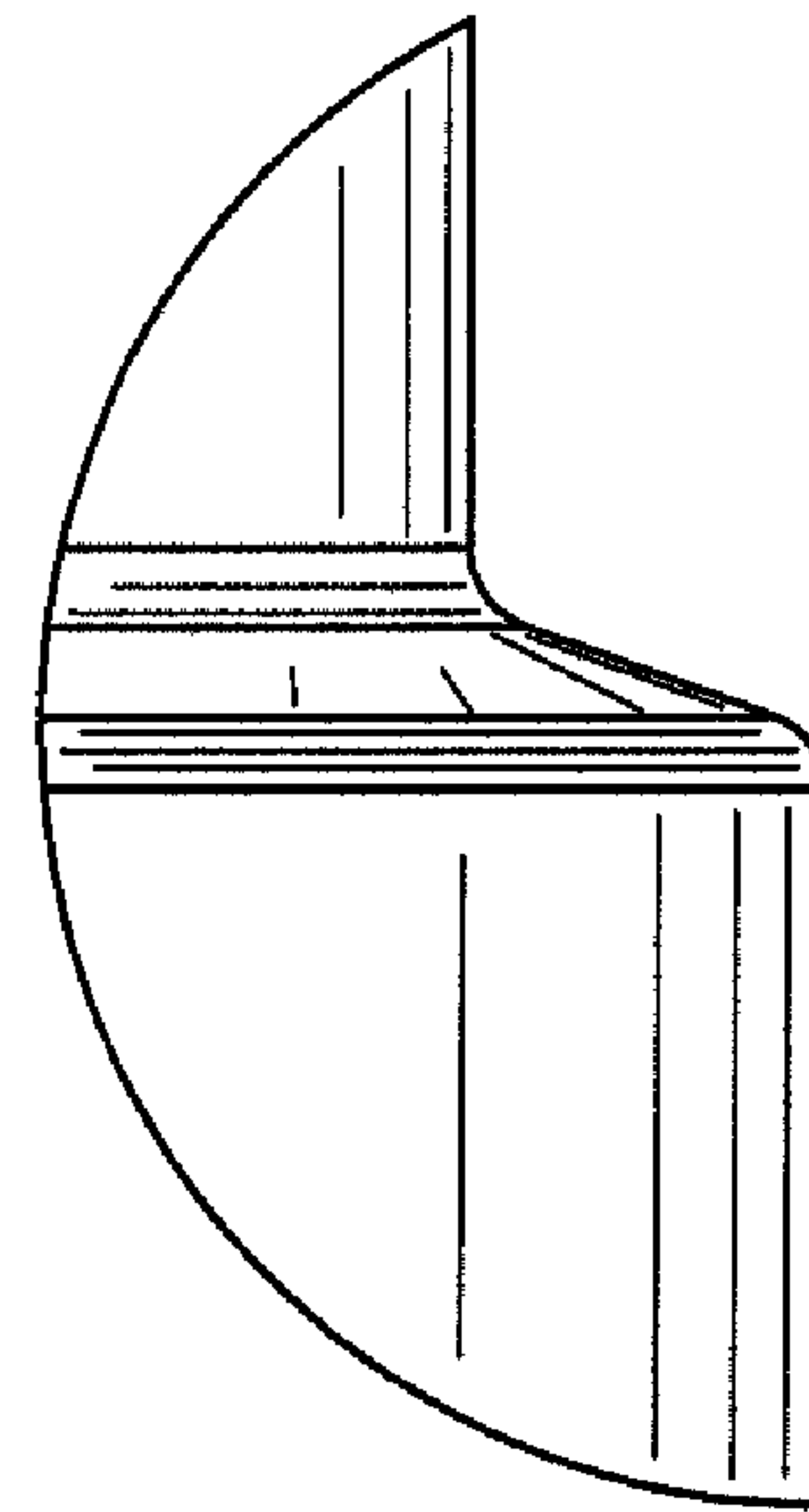


FIG. 3

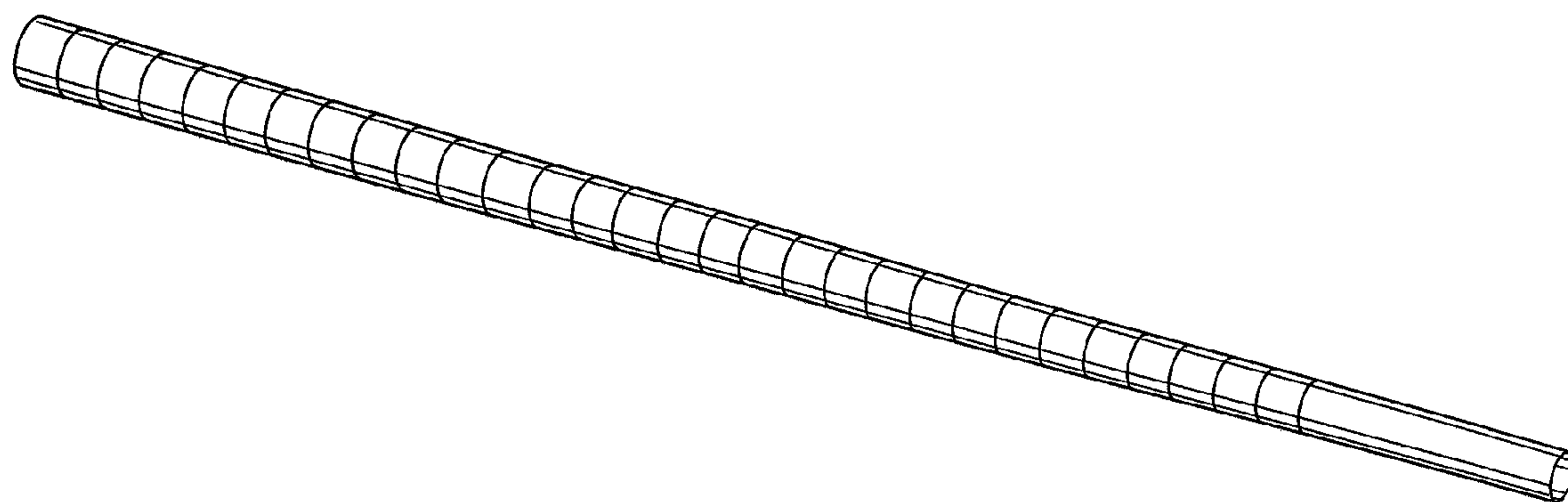


FIG. 2