



US00D617470S

(12) **United States Design Patent**  
**Stouffer**

(10) **Patent No.:** **US D617,470 S**

(45) **Date of Patent:** **\*\* Jun. 8, 2010**

(54) **CORNER FILLER MODULE**

(76) **Inventor:** **John D Stouffer**, 14228 State Road 23,  
Granger, IN (US) 46530

(\*\*) **Term:** **14 Years**

(21) **Appl. No.:** **29/320,661**

(22) **Filed:** **Jul. 1, 2008**

(51) **LOC (9) Cl.** ..... **25-01**

(52) **U.S. Cl.** ..... **D25/102**

(58) **Field of Classification Search** ..... D25/102,  
D25/119-123; D8/382, 384, 403; 52/282.2-282.4,  
52/287.1, 288.1, 717.06

See application file for complete search history.

(56) **References Cited**

**U.S. PATENT DOCUMENTS**

|              |         |                |       |         |
|--------------|---------|----------------|-------|---------|
| D231,430 S * | 4/1974  | Steinhauser    | ..... | D8/382  |
| D349,166 S * | 7/1994  | Beard, Jr.     | ..... | D25/102 |
| D398,405 S * | 9/1998  | Beard, Jr.     | ..... | D25/102 |
| D442,702 S * | 5/2001  | Wilson         | ..... | D25/102 |
| D465,033 S * | 10/2002 | Messier et al. | ..... | D25/102 |
| D486,920 S * | 2/2004  | Hein et al.    | ..... | D25/102 |

|              |         |                |       |         |
|--------------|---------|----------------|-------|---------|
| D529,633 S * | 10/2006 | Zarb           | ..... | D25/136 |
| D549,841 S * | 8/2007  | Beard, Jr.     | ..... | D25/102 |
| D551,779 S   | 9/2007  | Swanson et al. |       |         |
| D560,486 S * | 1/2008  | Ray et al.     | ..... | D8/403  |

\* cited by examiner

*Primary Examiner*—T. Chase Nelson

*Assistant Examiner*—Anhdao Doan

(74) *Attorney, Agent, or Firm*—Botkin & Hall, LLP

(57) **CLAIM**

The ornamental design for a corner filler module, as shown and described.

**DESCRIPTION**

FIG. 1 is a to perspective view of a corner filler module showing my new design;

FIG. 2 is a top view thereof;

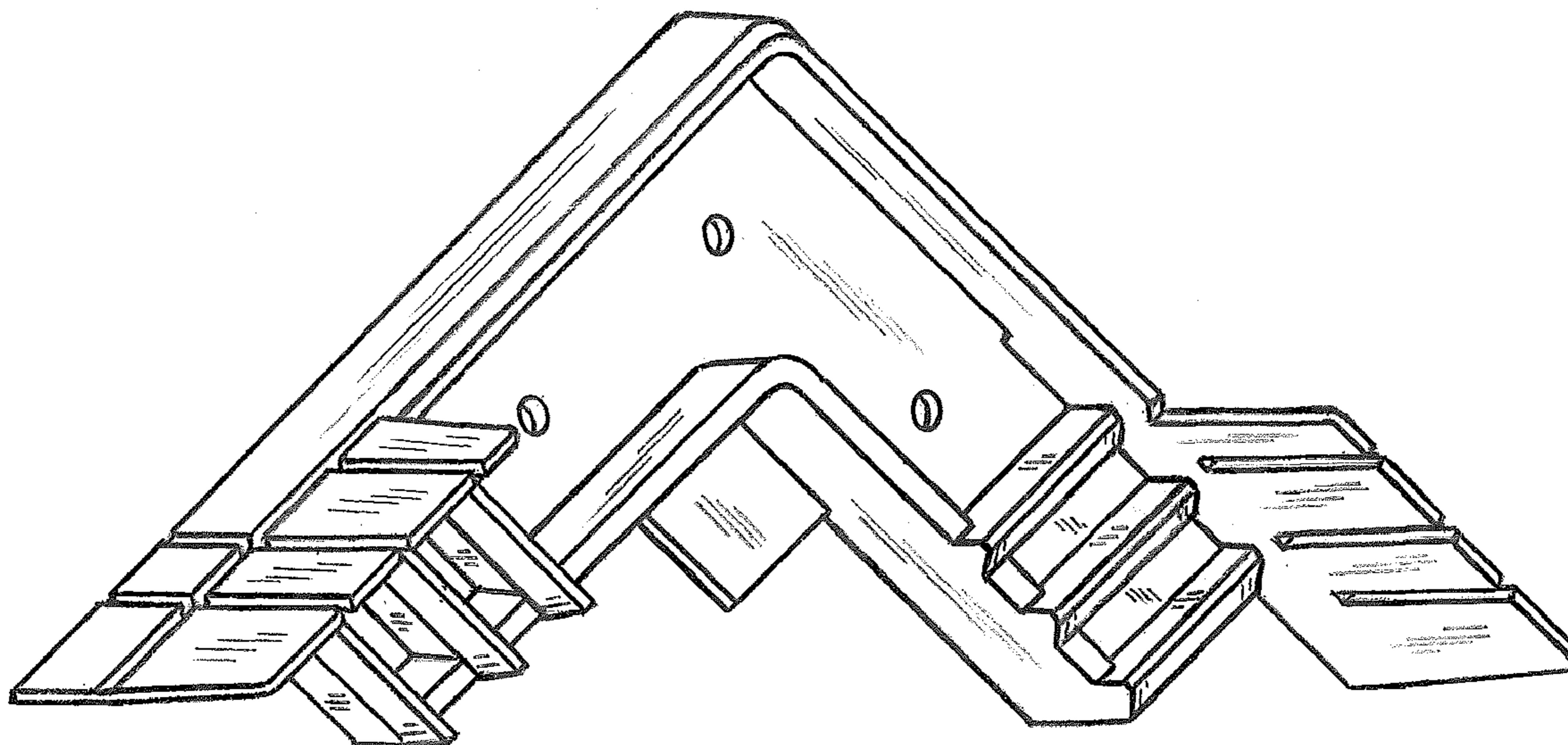
FIG. 3 is a right side plan view thereof;

FIG. 4 is a bottom view thereof;

FIG. 5 is a left view thereof; and,

FIG. 6 is a front view thereof.

**1 Claim, 3 Drawing Sheets**



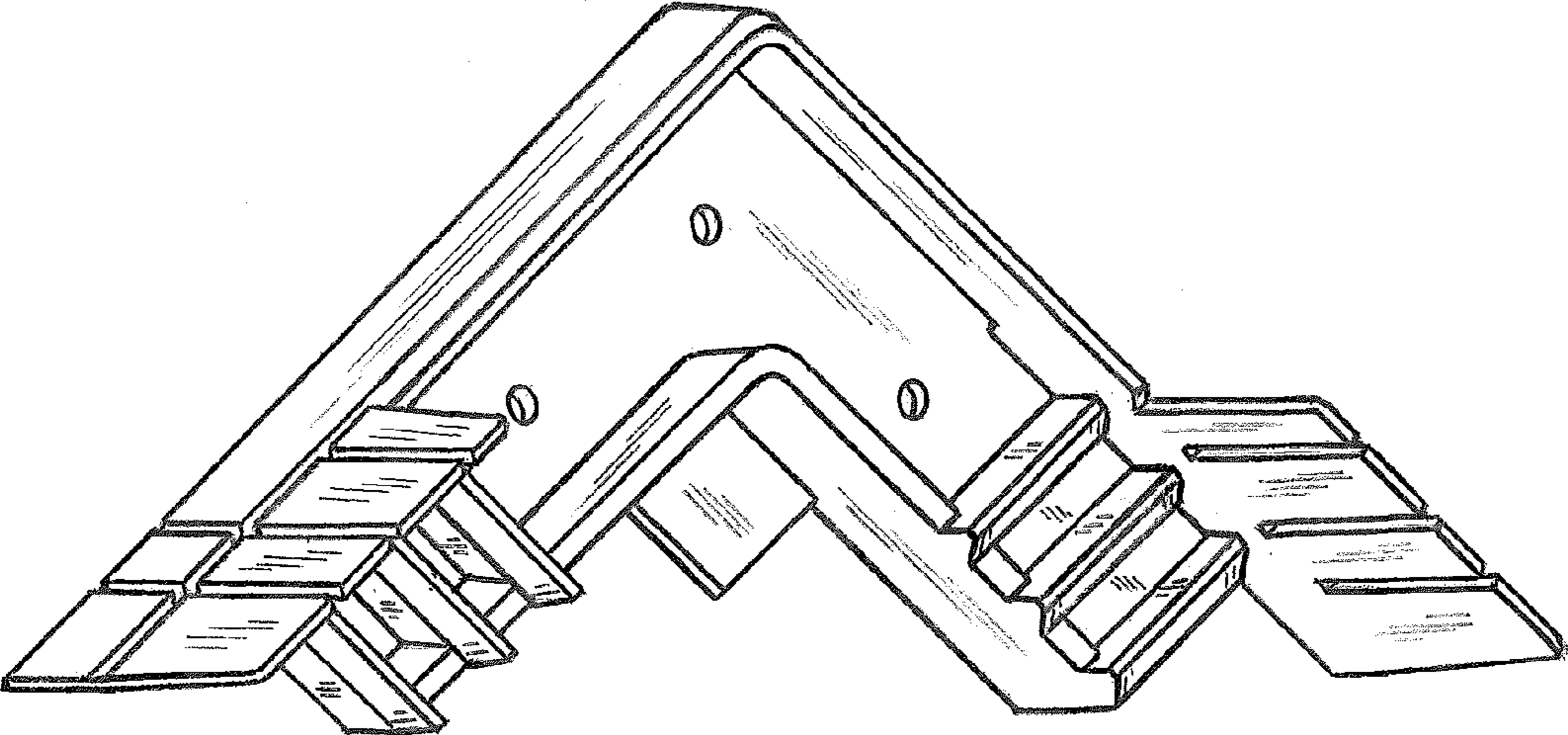


FIG. 1

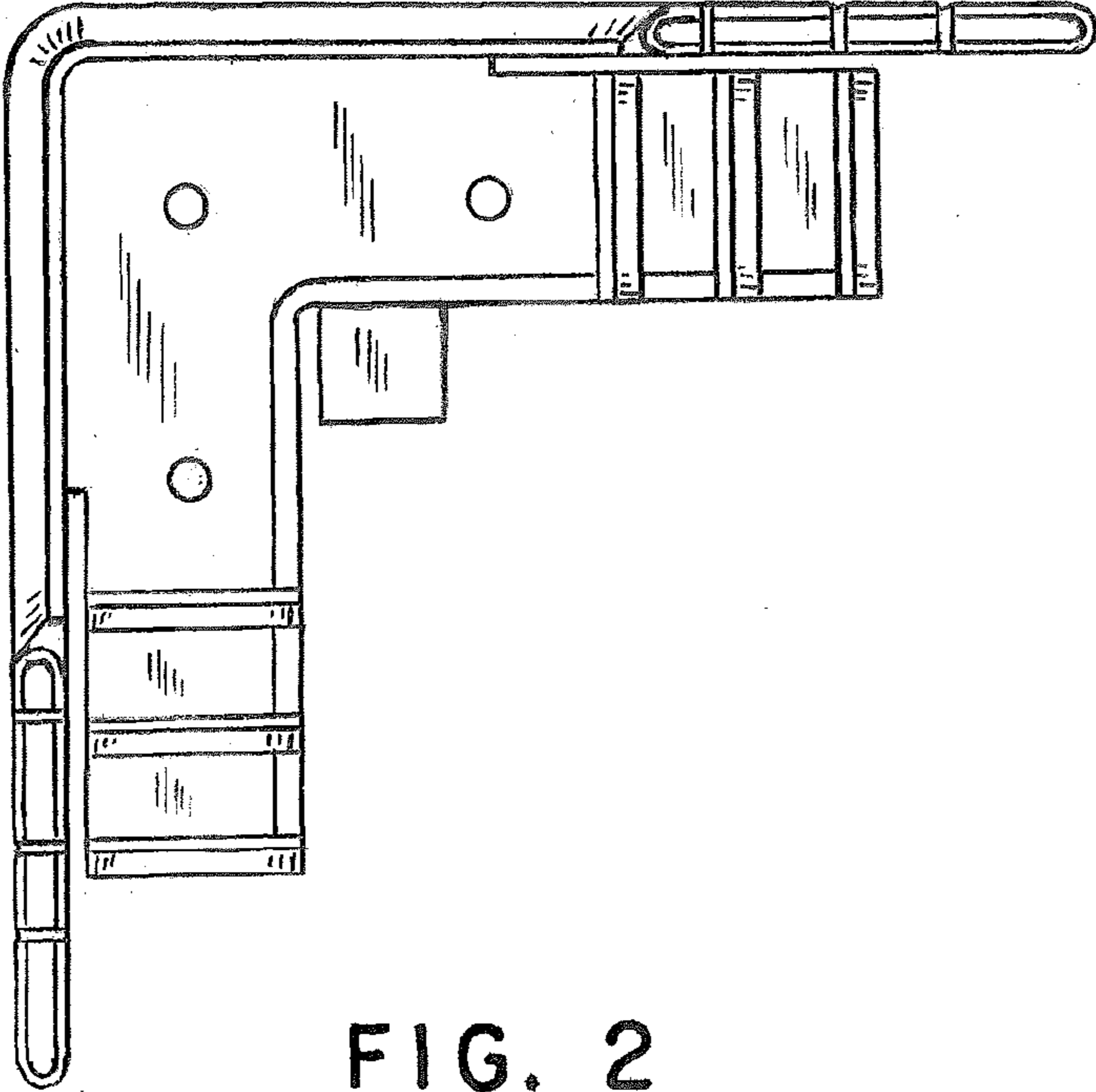


FIG. 2

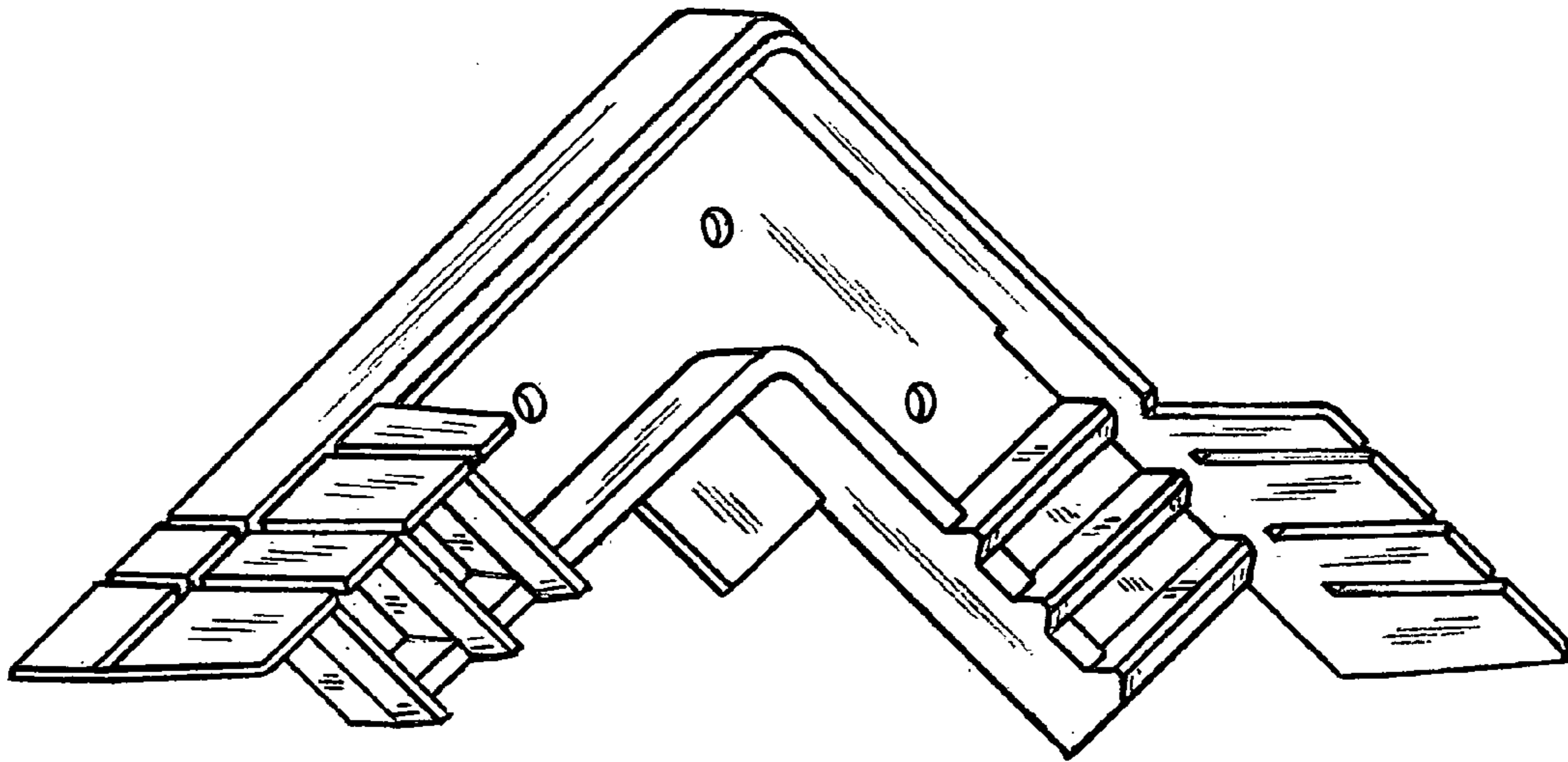


FIG. 1

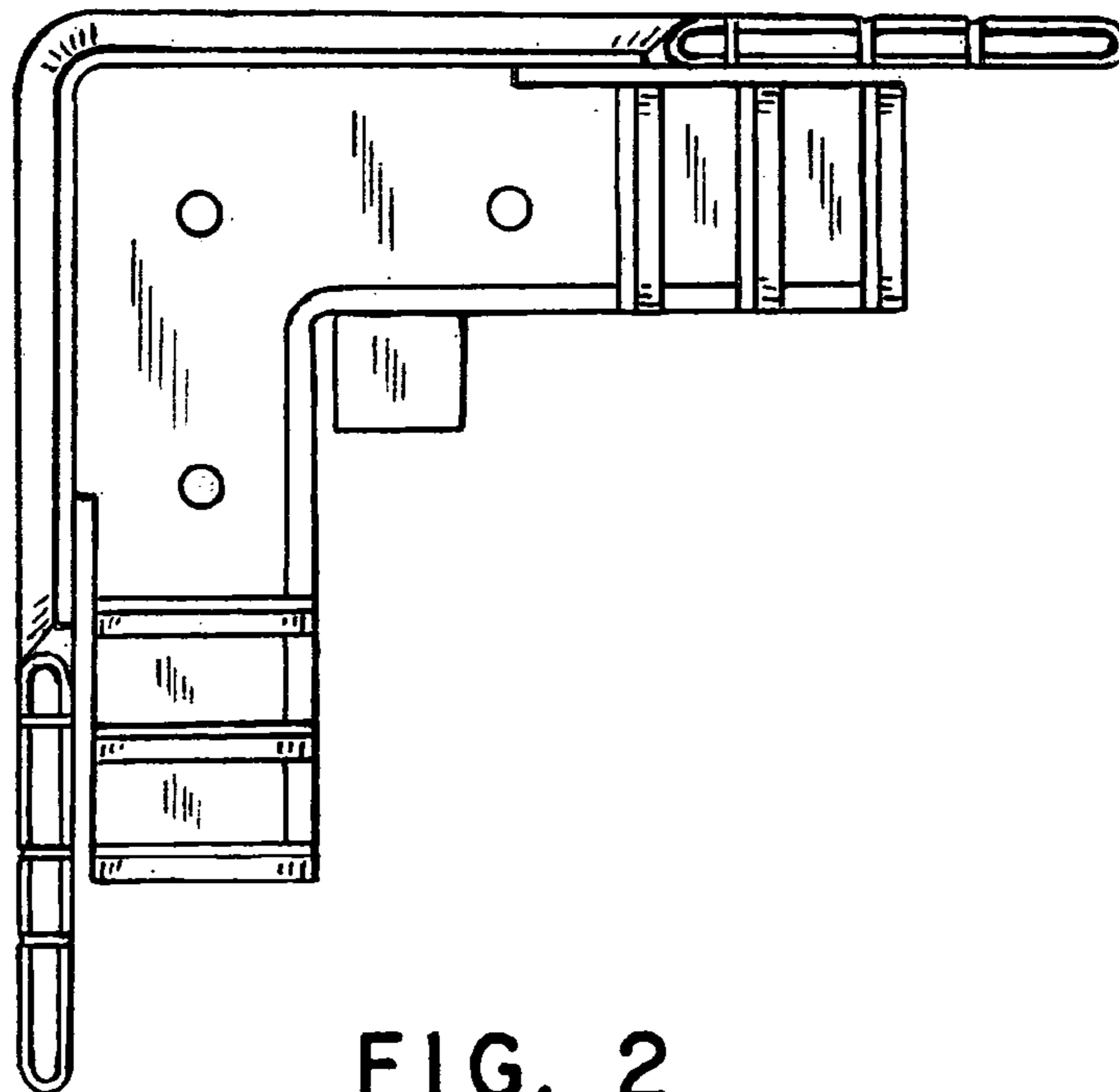


FIG. 2

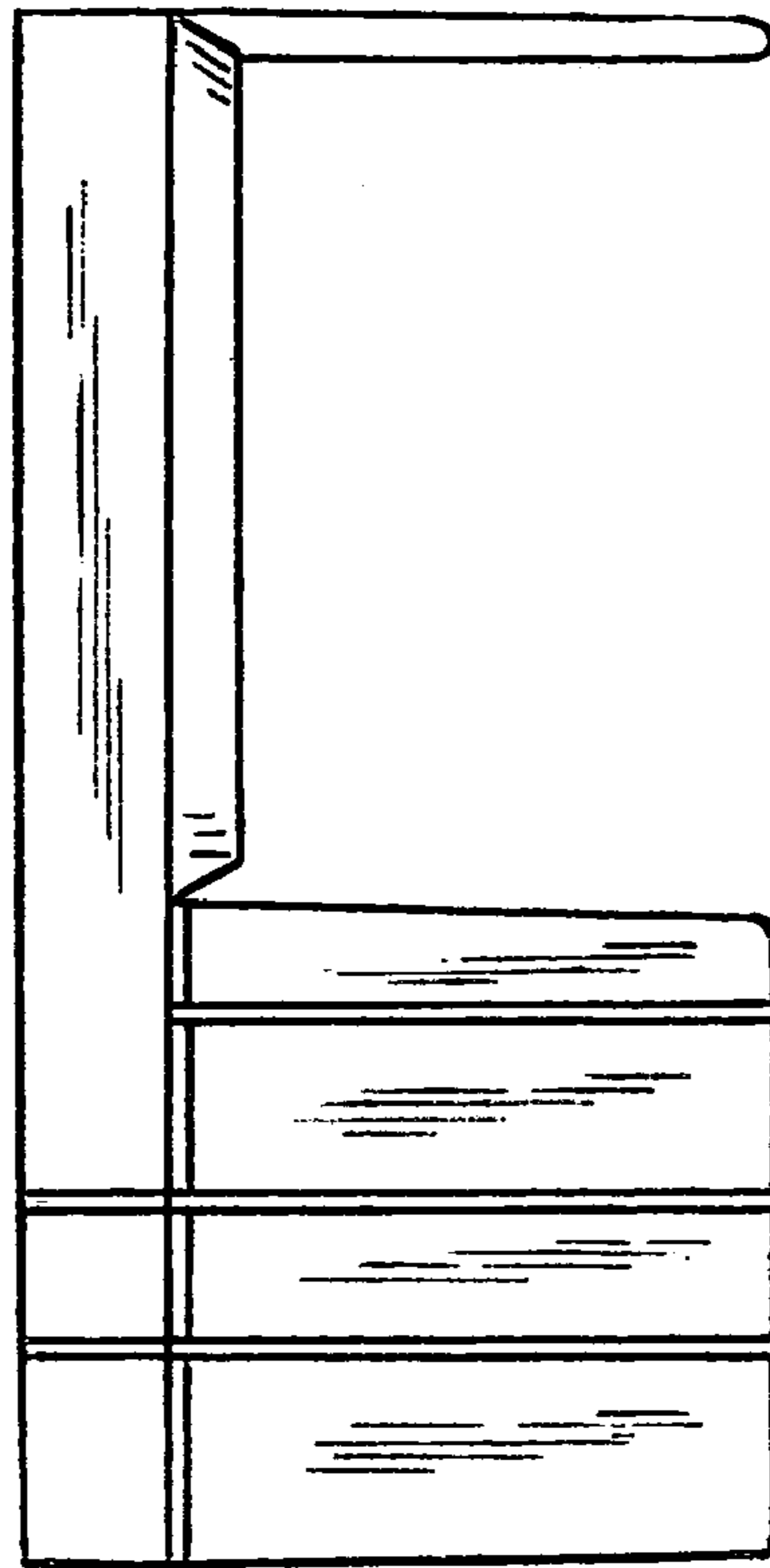


FIG. 5

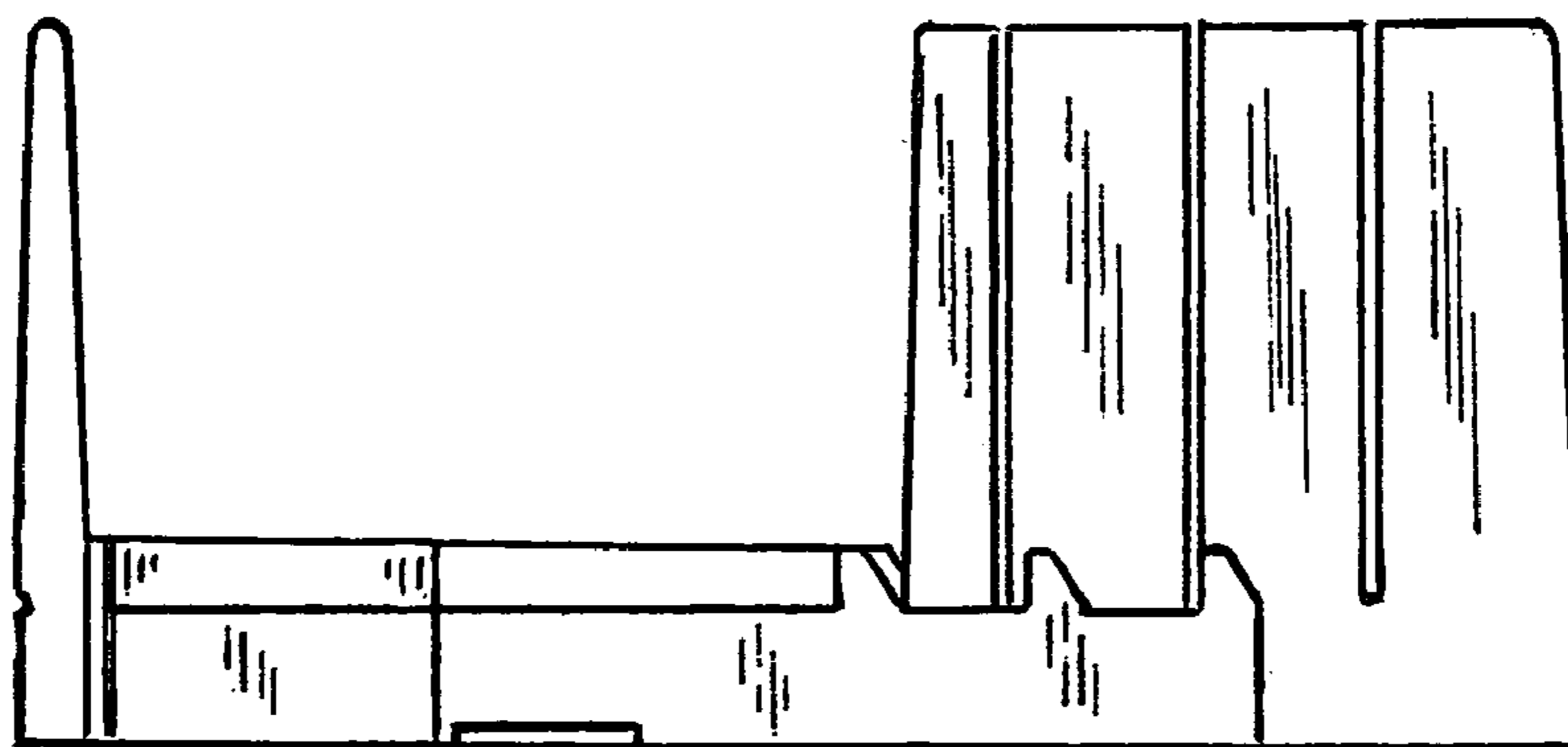


FIG. 6