

US00D617469S

(12) **United States Design Patent**  
**Mitchell**

(10) **Patent No.:** **US D617,469 S**  
(45) **Date of Patent:** **\*\* Jun. 8, 2010**

(54) **COLLAPSIBLE PATIO**

(76) **Inventor:** **Patricia A. Mitchell**, 39 Oak Hill,  
Huntsville, TX (US) 77320

(\*\*) **Term:** **14 Years**

(21) **Appl. No.:** **29/345,150**

(22) **Filed:** **Oct. 9, 2009**

(51) **LOC (9) Cl.** ..... **25-04**

(52) **U.S. Cl.** ..... **D25/62**

(58) **Field of Classification Search** ..... D25/62;  
52/79.6

See application file for complete search history.

(56) **References Cited**

**U.S. PATENT DOCUMENTS**

4,869,030	A *	9/1989	Clark	.....	52/79.6
5,822,930	A *	10/1998	Klein	.....	52/143
D464,144	S *	10/2002	Peterson	.....	D25/62
7,353,639	B2 *	4/2008	Carson	.....	52/79.5
D596,317	S *	7/2009	Favell	.....	D25/62

\* cited by examiner

*Primary Examiner*—Doris Clark

(74) *Attorney, Agent, or Firm*—QuickPatents, Inc.; Kevin Prince

(57) **CLAIM**

I claim the ornamental design for a collapsible patio, as shown and described.

**DESCRIPTION**

FIG. 1 is a perspective view of a collapsible patio, showing my new design;

FIG. 2 is a front elevational view thereof;

FIG. 3 is a rear elevational view thereof;

FIG. 4 is a right-side elevational view thereof;

FIG. 5 is a left-side elevational view thereof;

FIG. 6 is a top plan view thereof;

FIG. 7 is a bottom plan view thereof;

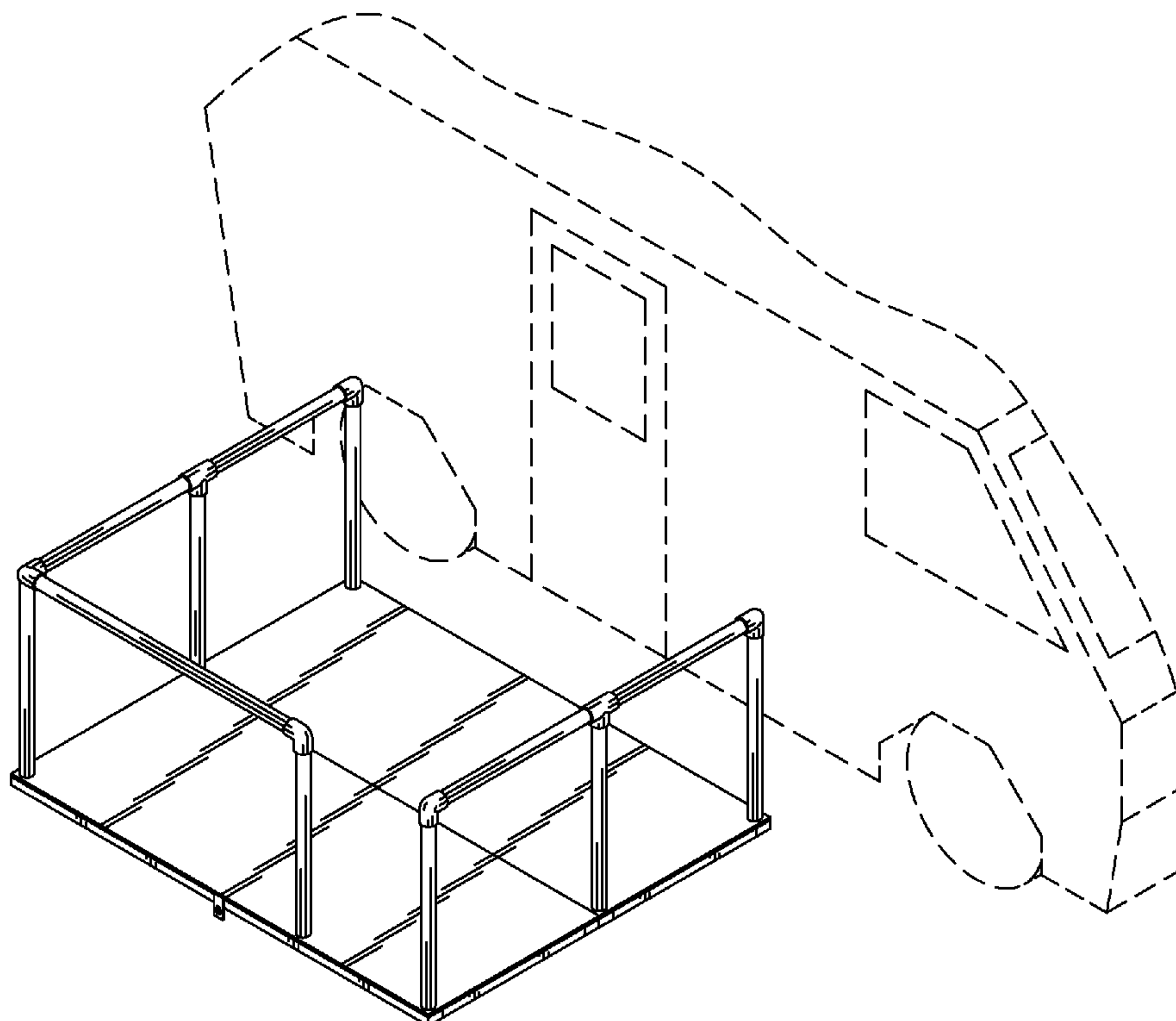
FIG. 8 is a perspective view thereof, illustrated in a partially collapsed configuration;

FIG. 9 is a top perspective view thereof, illustrated in a collapsed configuration; and,

FIG. 10 is a bottom perspective view thereof, illustrated in a collapsed configuration.

The broken lines showing a vehicle in FIG. 1 are included for the purpose of illustrating the invention in use, and form no part of the claimed design.

**1 Claim, 5 Drawing Sheets**



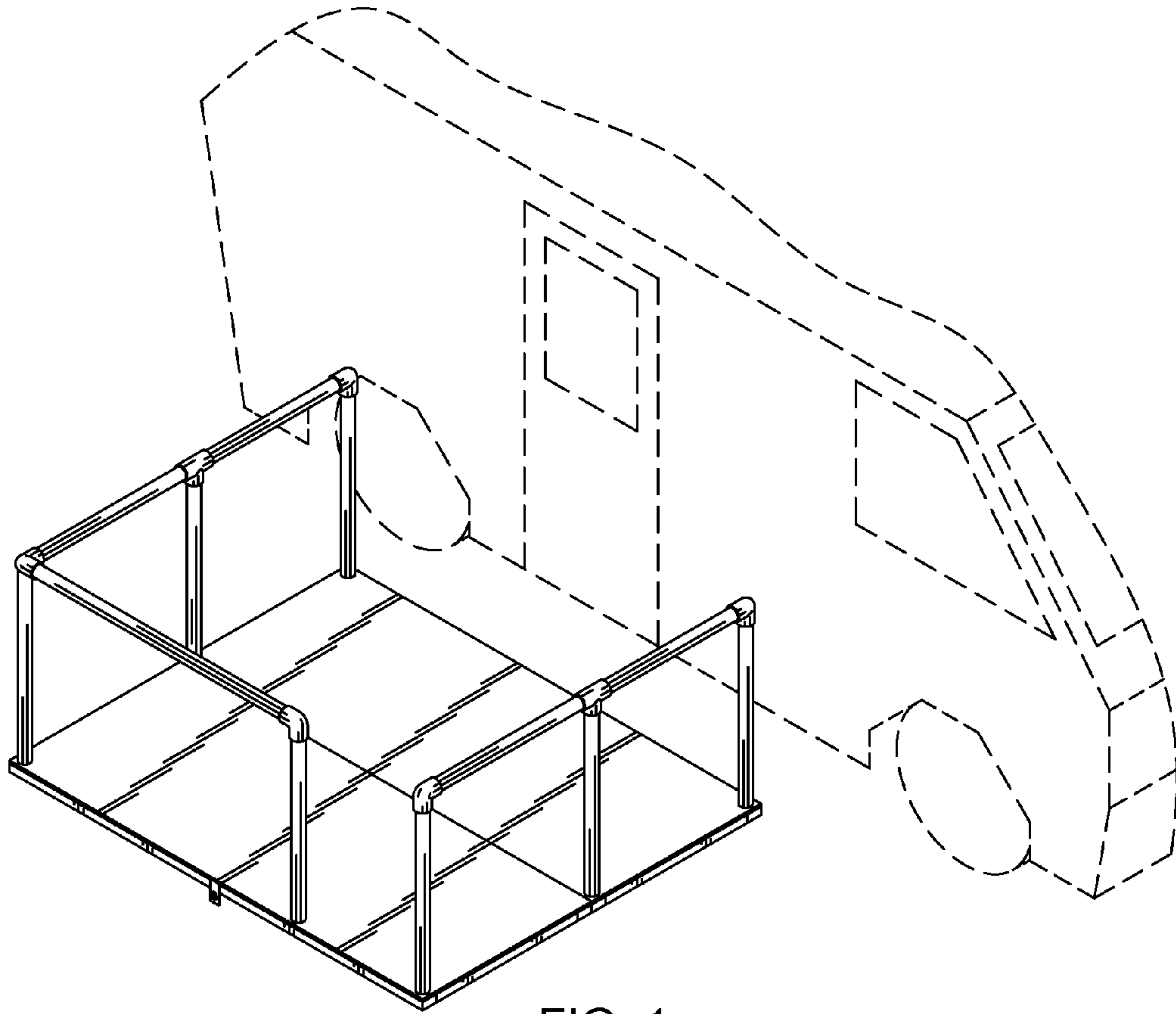


FIG. 1

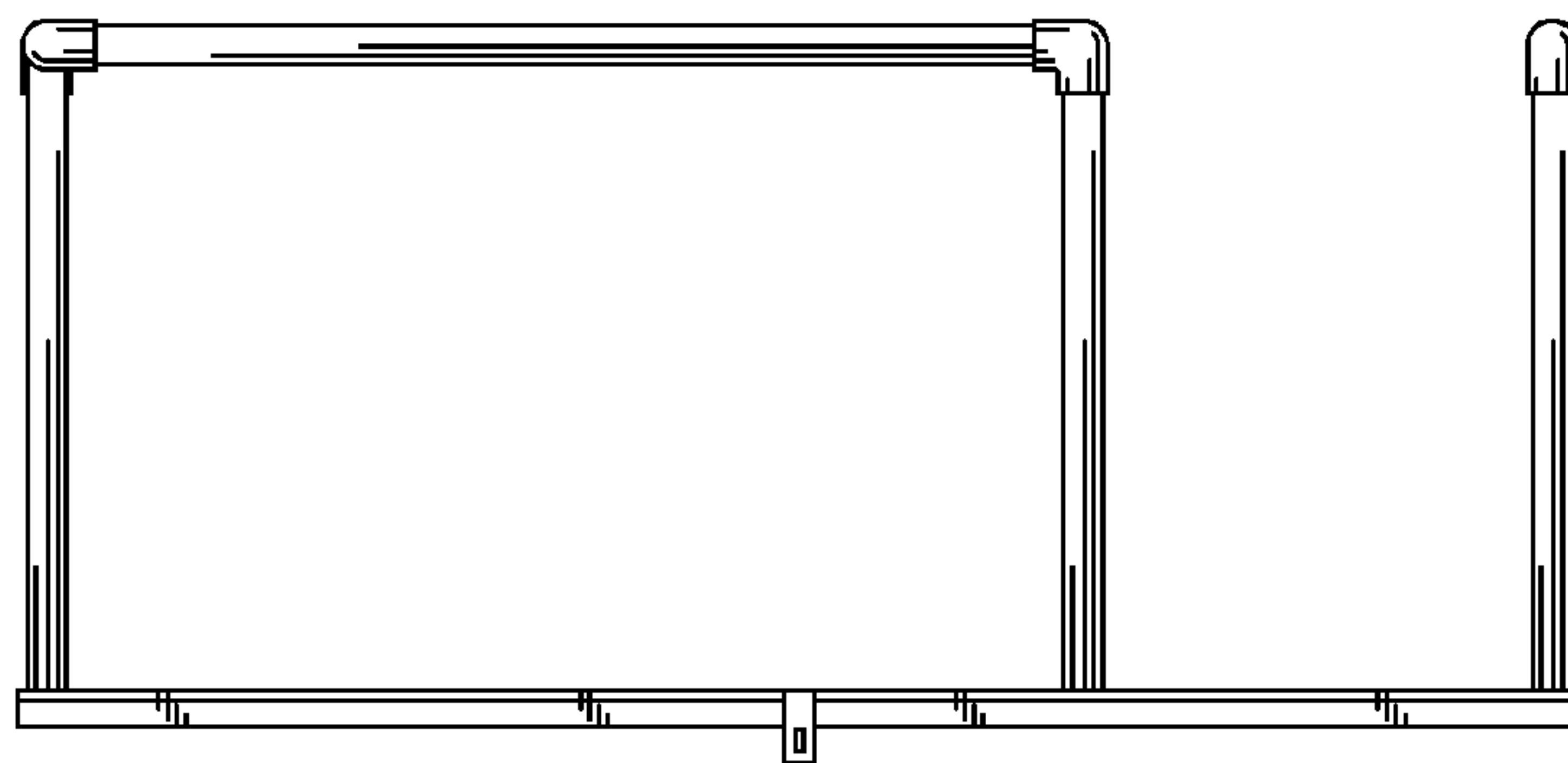


FIG. 2

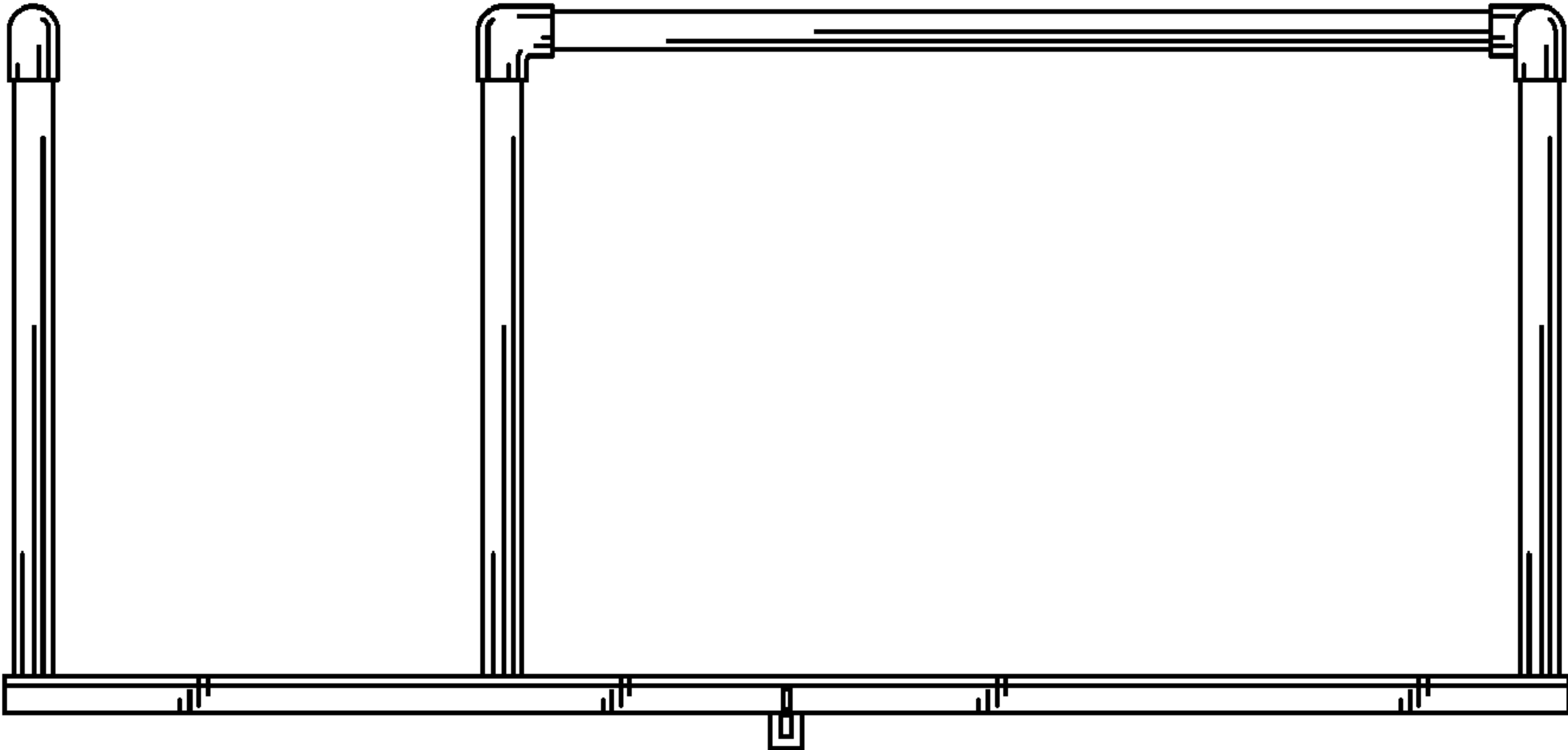


FIG. 3

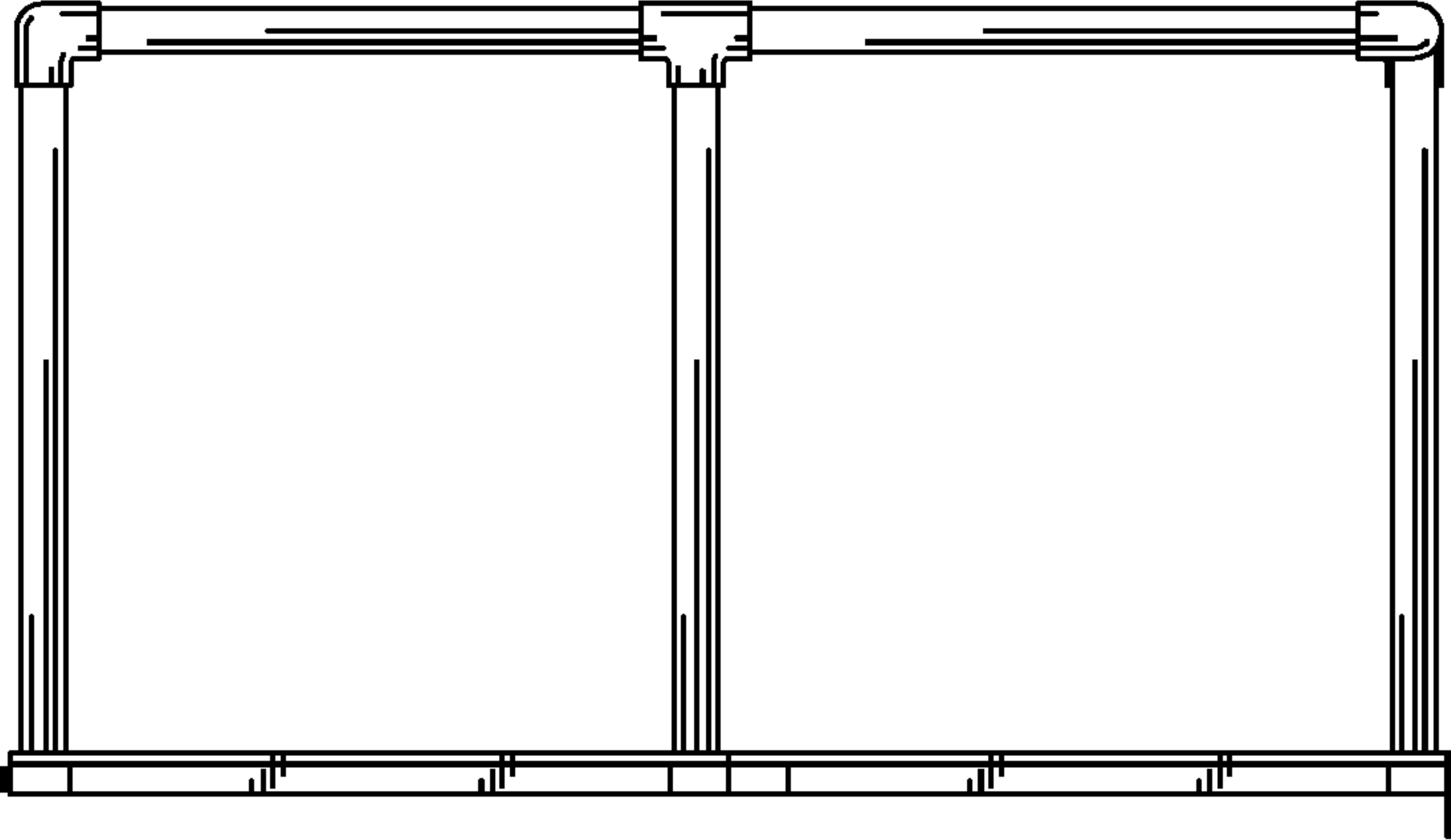


FIG. 4

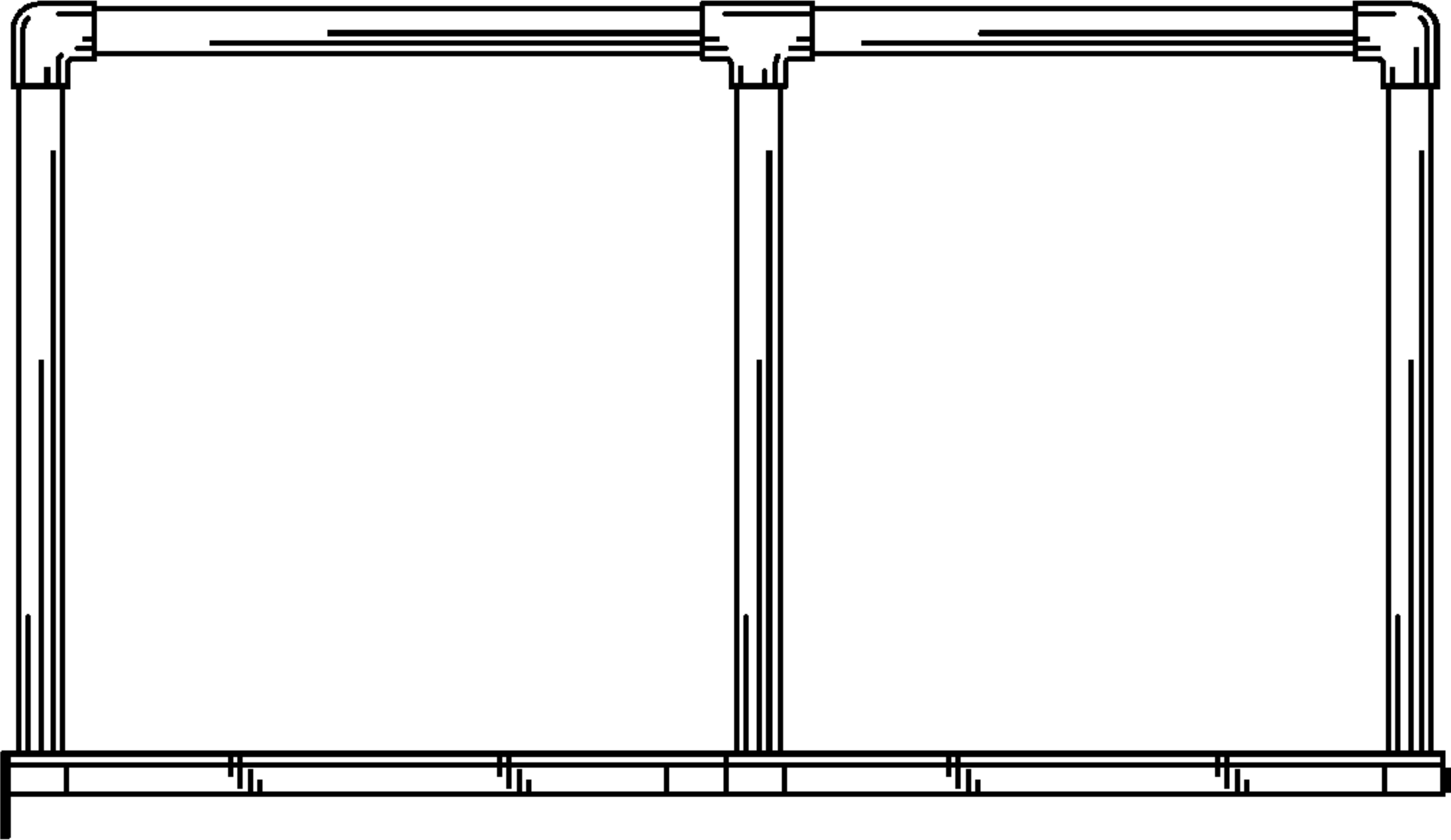


FIG. 5

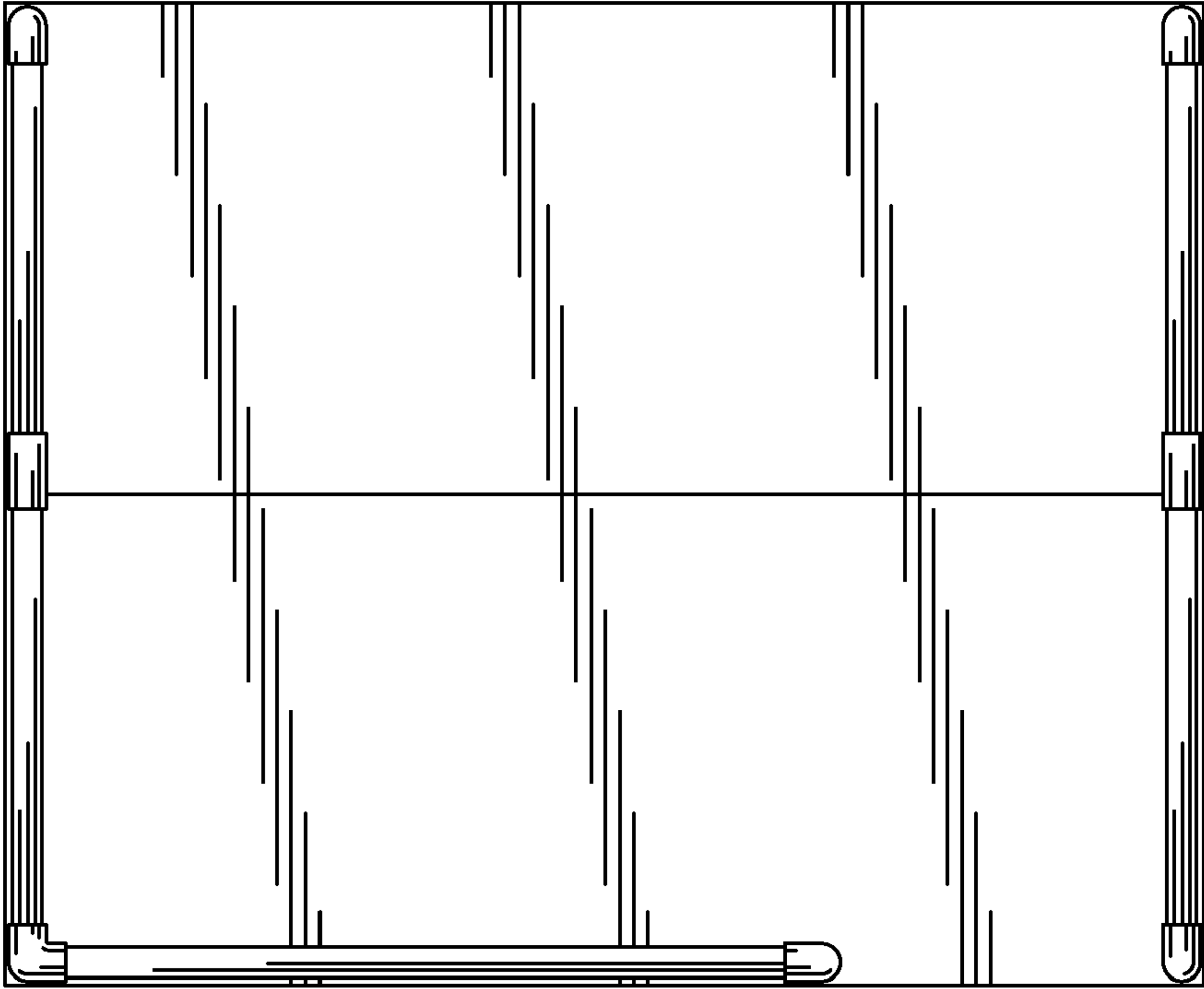


FIG. 6

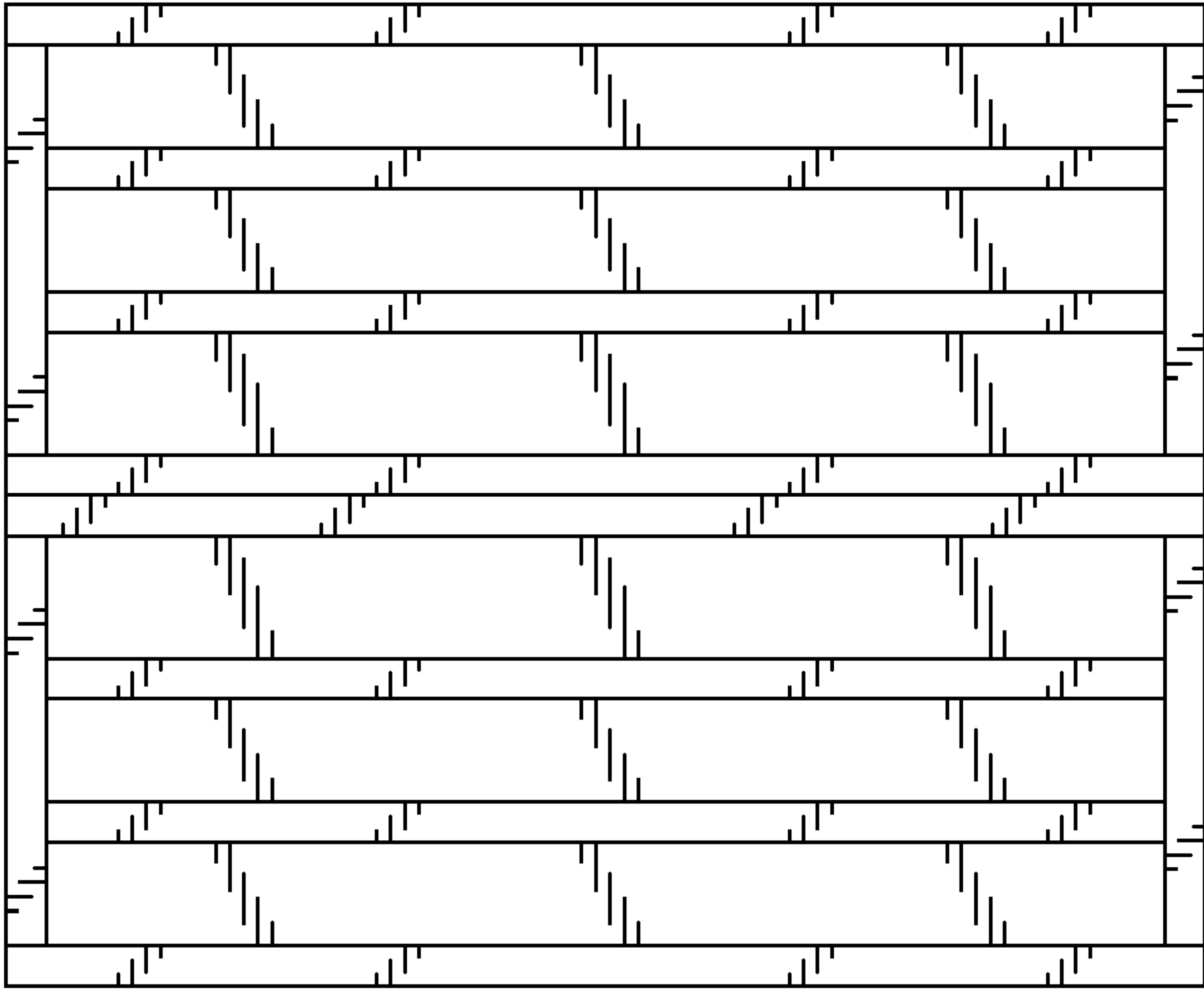


FIG. 7

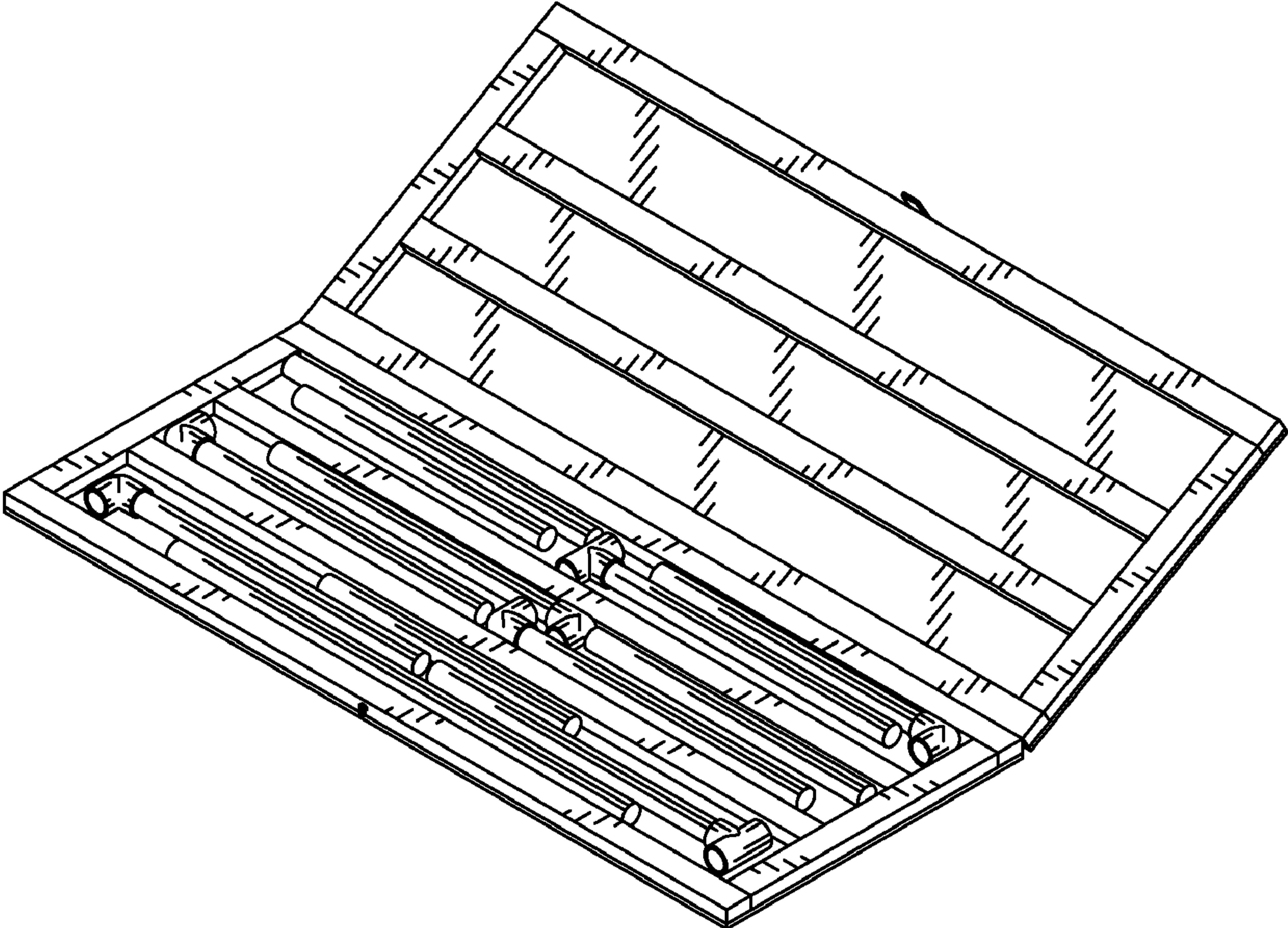


FIG. 8



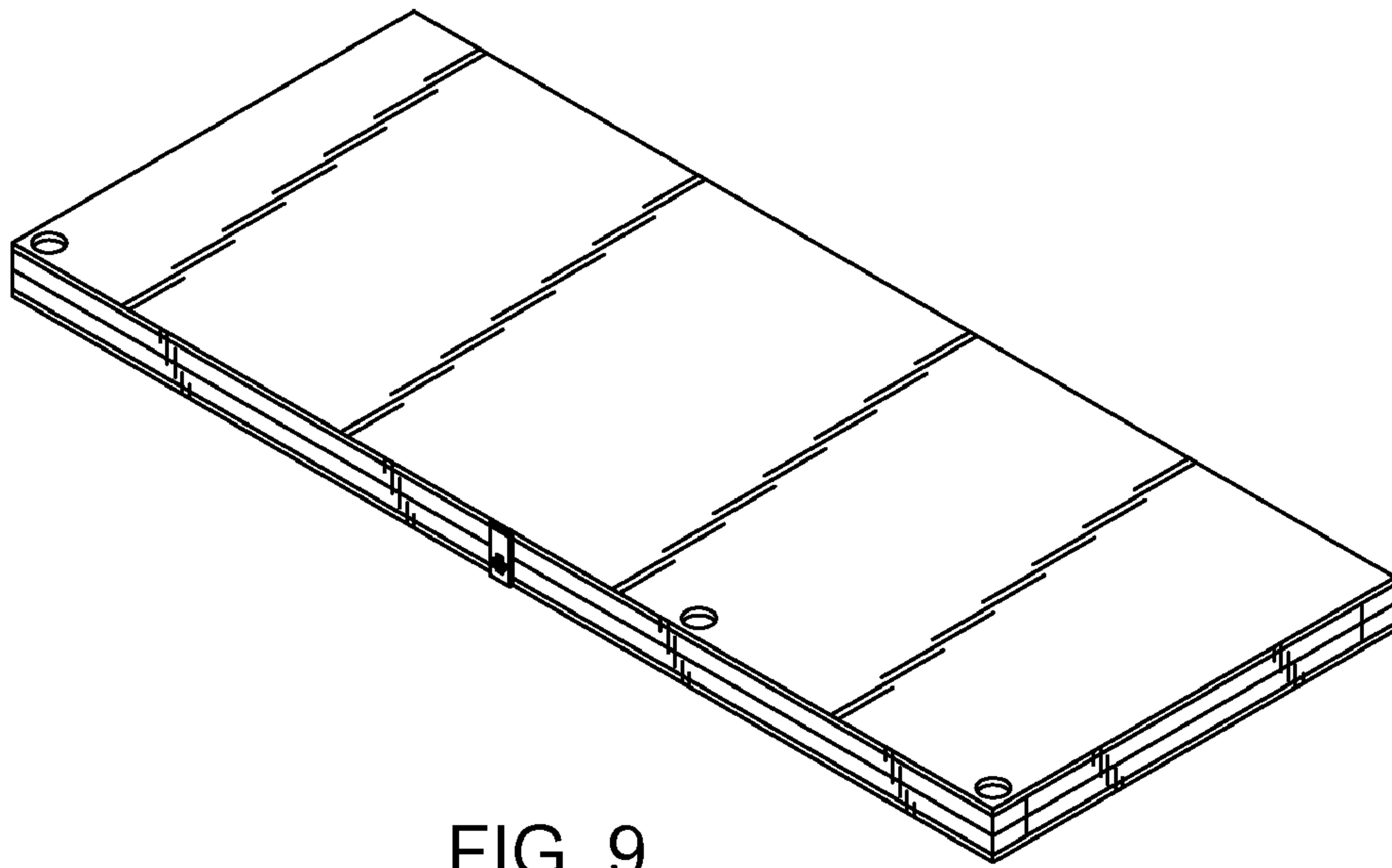


FIG. 9

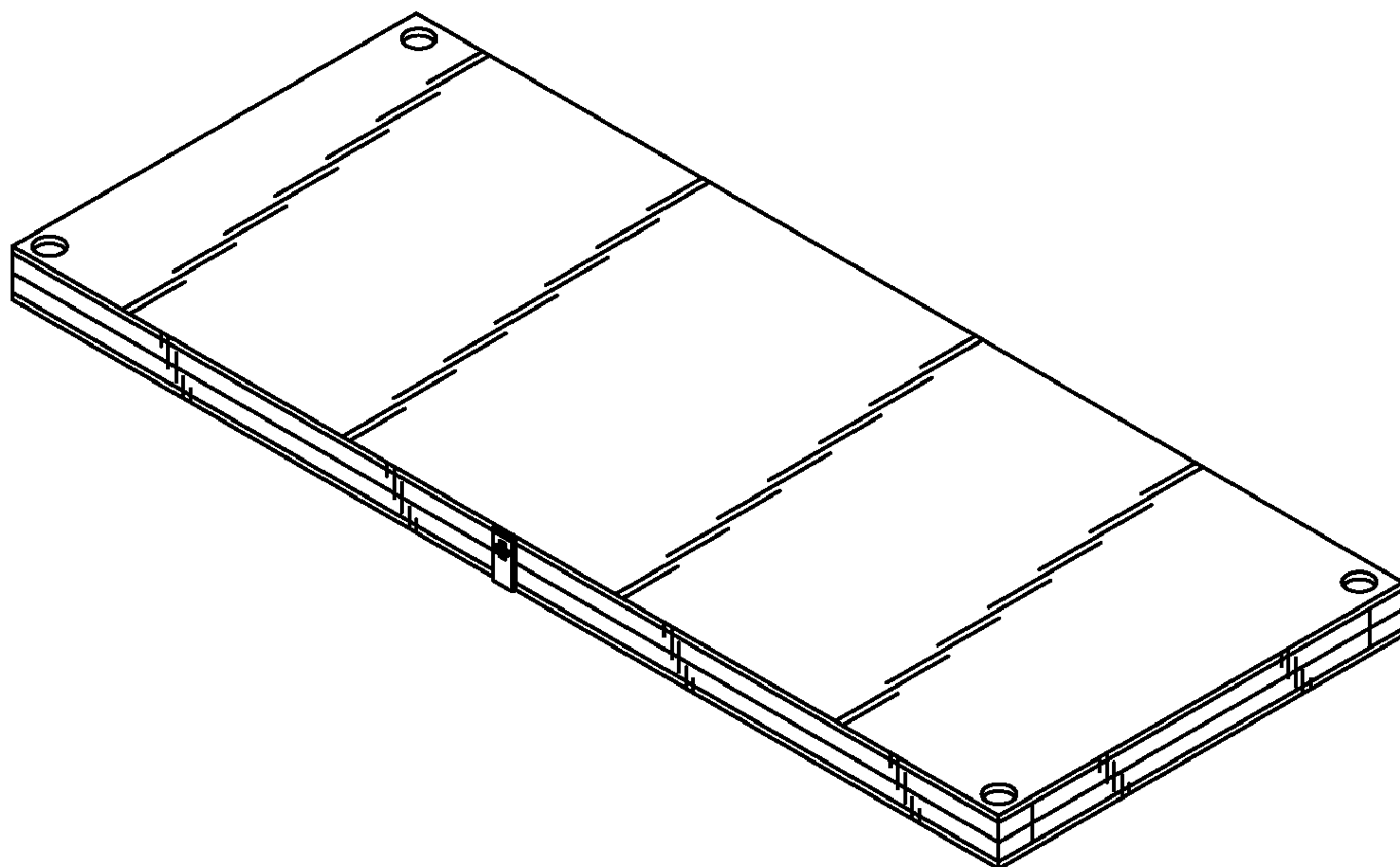


FIG. 10