



US00D617468S

(12) **United States Design Patent**
Marquardt et al.

(10) **Patent No.:** **US D617,468 S**
(45) **Date of Patent:** **** Jun. 8, 2010**

(54) **TEST STRIP**

(75) Inventors: **Claus Marquardt**, Stirling (GB);
Murray Whyte, Stirling (GB);
Christian Schoen, Dortmund (DE);
Thanh Tu Duong, Dortmund (DE)

(73) Assignees: **Inverness Medical Innovations, Inc.**,
Waltham, MA (US); **Boehringer**
Ingelheim microParts GmbH,
Dortmund (DE)

(**) Term: **14 Years**

(21) Appl. No.: **29/337,648**

(22) Filed: **May 27, 2009**

(51) **LOC (9) Cl.** **24-01**

(52) **U.S. Cl.** **D24/225**

(58) **Field of Classification Search** D24/216,
D24/222-226, 231, 232, 169; D10/80, 81;
422/99, 100, 102, 56, 58, 61, 68.1, 69; 435/288.1,
435/288.3, 289.1

See application file for complete search history.

(56) **References Cited**

U.S. PATENT DOCUMENTS

D432,244 S * 10/2000 Anderson et al. D24/223
D433,150 S * 10/2000 Wahlqvist et al. D24/224
D435,665 S * 12/2000 Ogle D24/233
D467,348 S * 12/2002 McMichael et al. D24/229

D470,595 S * 2/2003 Crisanti et al. D24/216
D470,597 S * 2/2003 Peterson et al. D24/223
D484,988 S * 1/2004 Peterson et al. D24/216
D500,142 S * 12/2004 Crisanti et al. D24/244
D531,321 S * 10/2006 Godfrey et al. D24/225

* cited by examiner

Primary Examiner—T. Chase Nelson

Assistant Examiner—Anhdao Doan

(74) *Attorney, Agent, or Firm*—Steptoe & Johnson LLP

(57) **CLAIM**

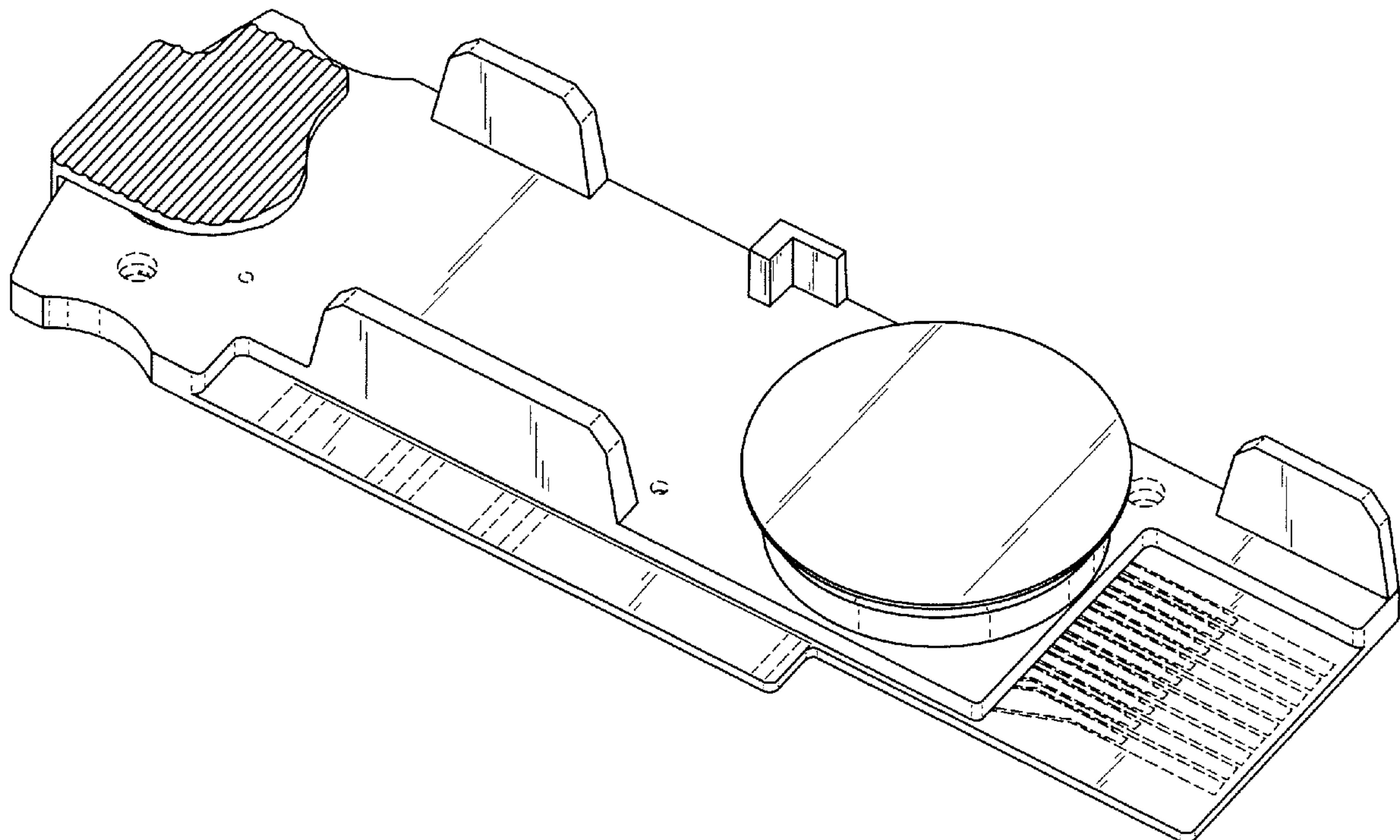
The ornamental design for a test strip, as shown and described.

DESCRIPTION

FIG. 1 is a bottom view of a test strip;
FIG. 2 is a bottom perspective view of the test strip of FIG. 1;
FIG. 3 is a top view of the test strip of FIG. 1;
FIG. 4 is a top perspective view of the test strip of FIG. 1;
FIG. 5 is a front view of the test strip of FIG. 1;
FIG. 6 is a rear view of the test strip of FIG. 1;
FIG. 7 is a left side view of the test strip of FIG. 1; and,
FIG. 8 is a right side view of the test strip of FIG. 1.

The broken lines in the drawings are included for the purpose of illustrating portions of the test strip that form no part of the claimed design.

1 Claim, 7 Drawing Sheets



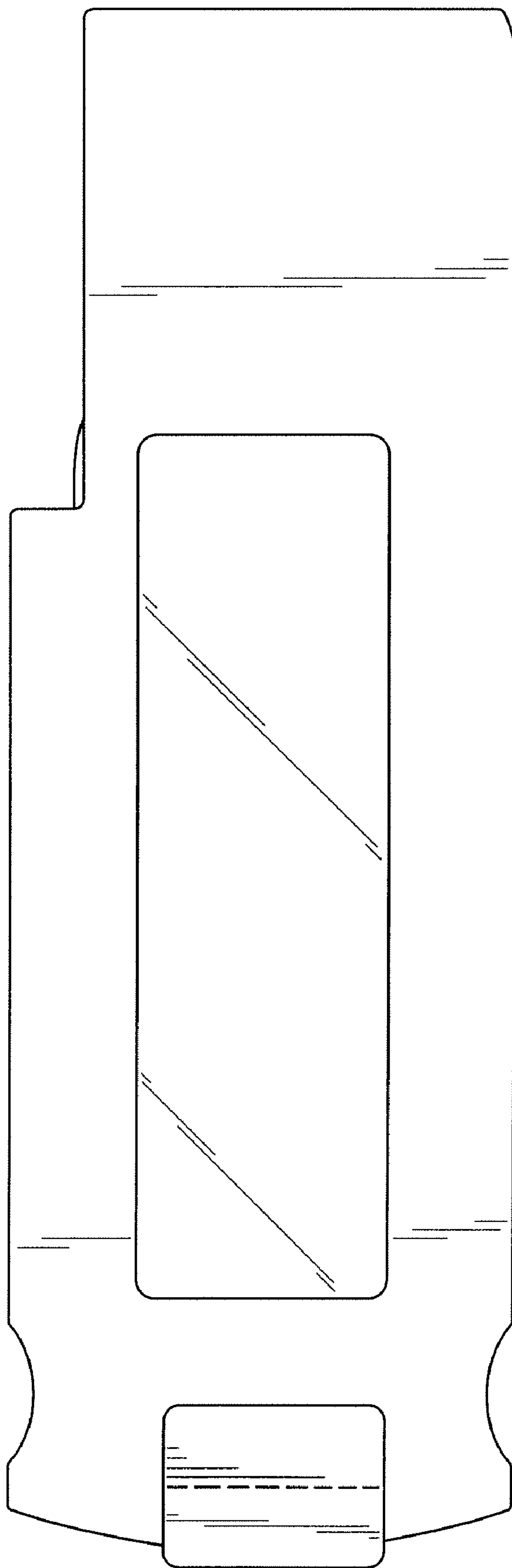


Fig. 1.

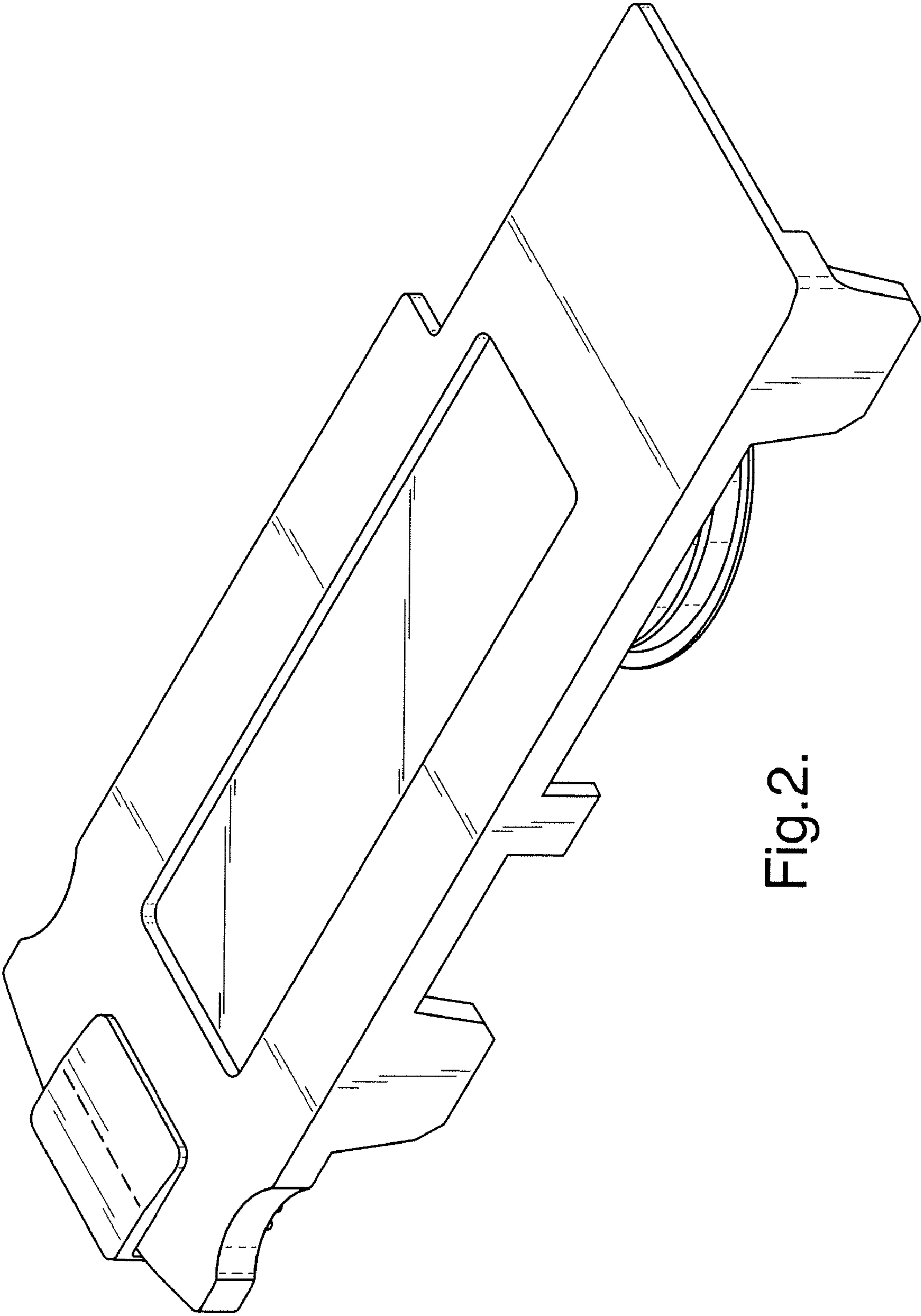


Fig. 2.

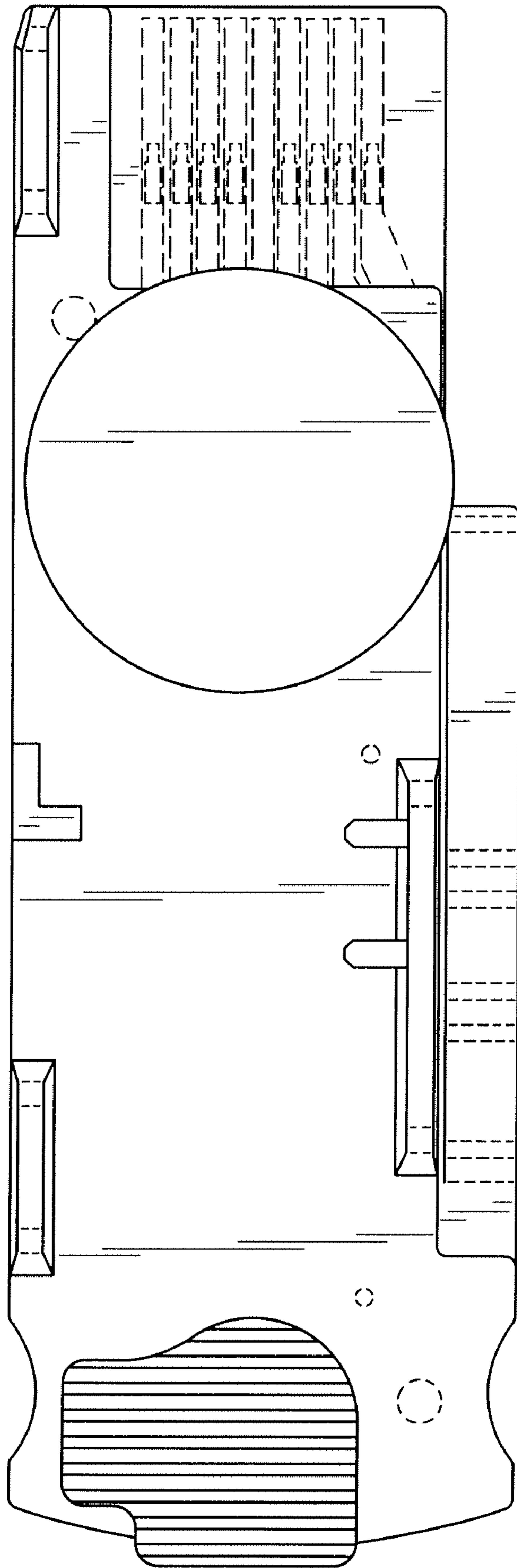


Fig.3.

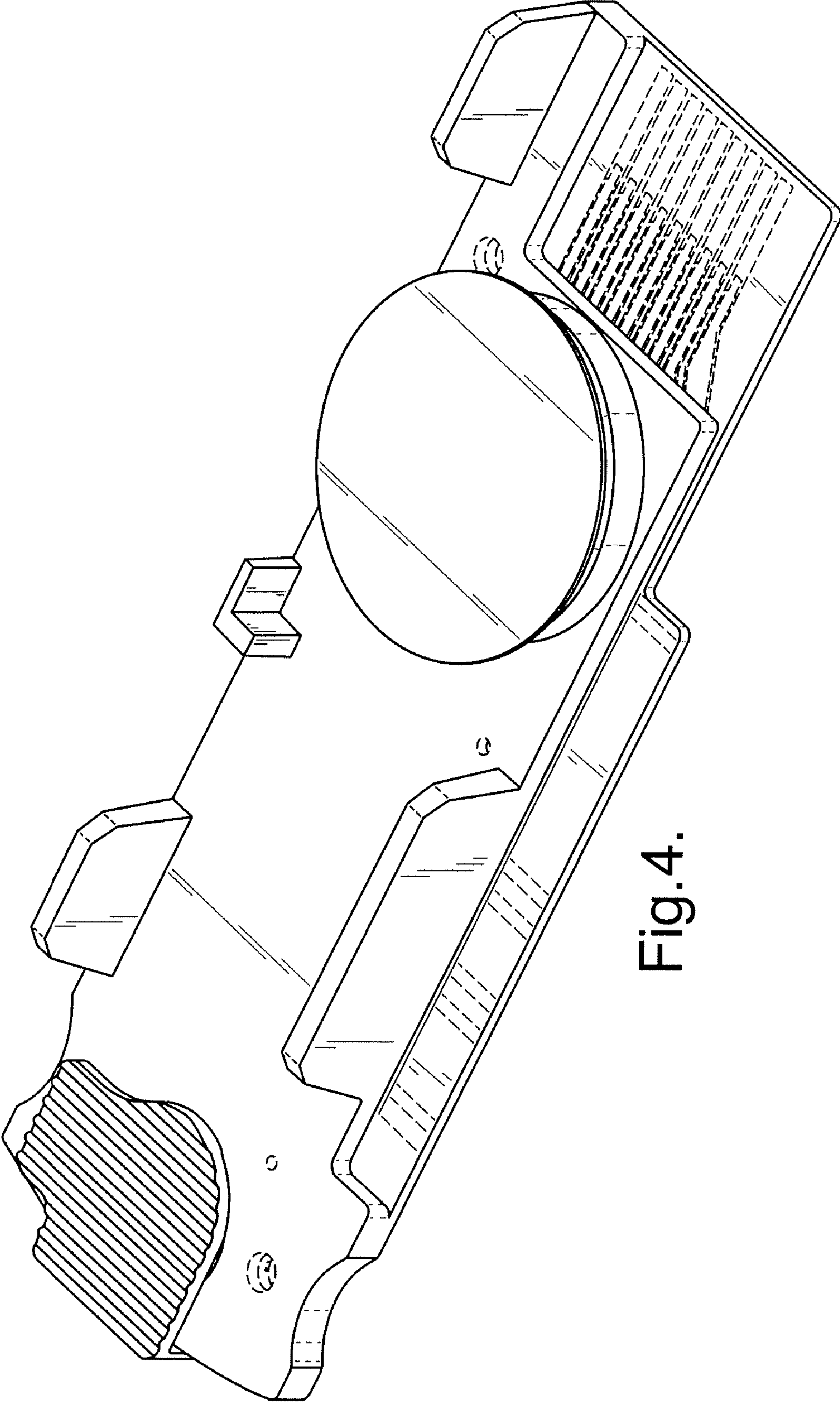


Fig. 4.

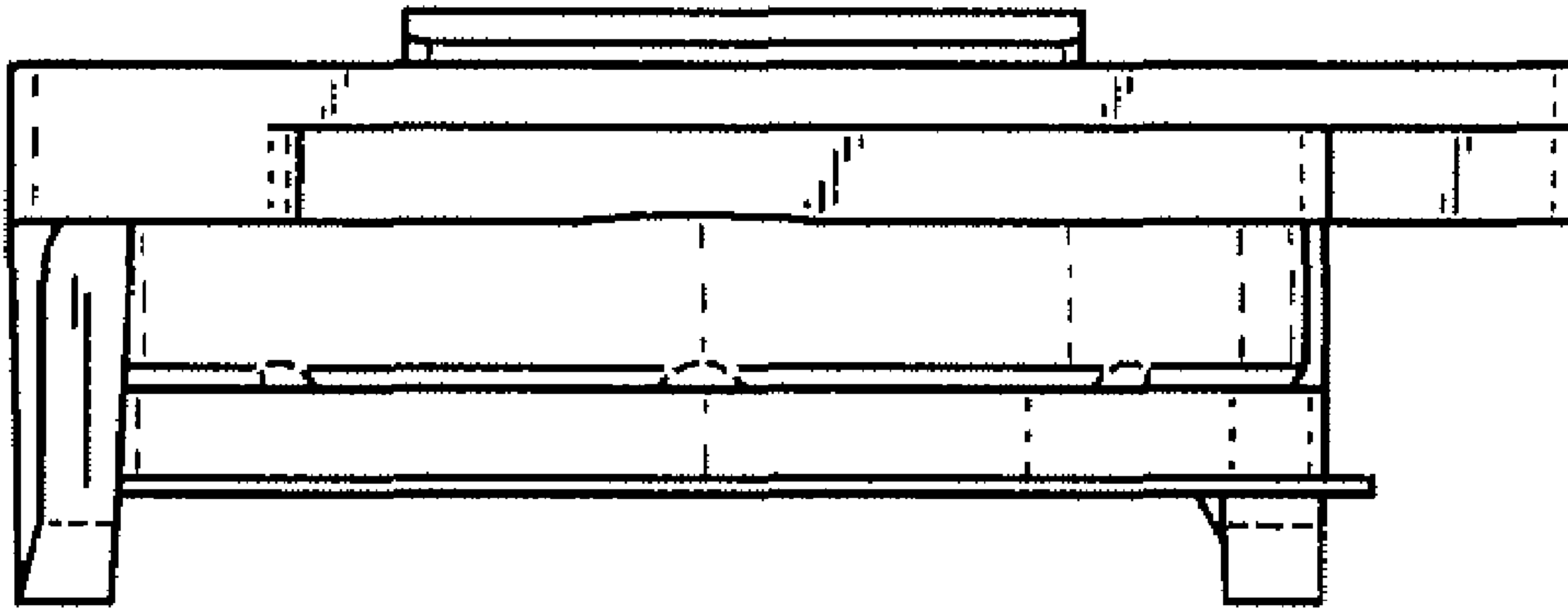


Fig.5.

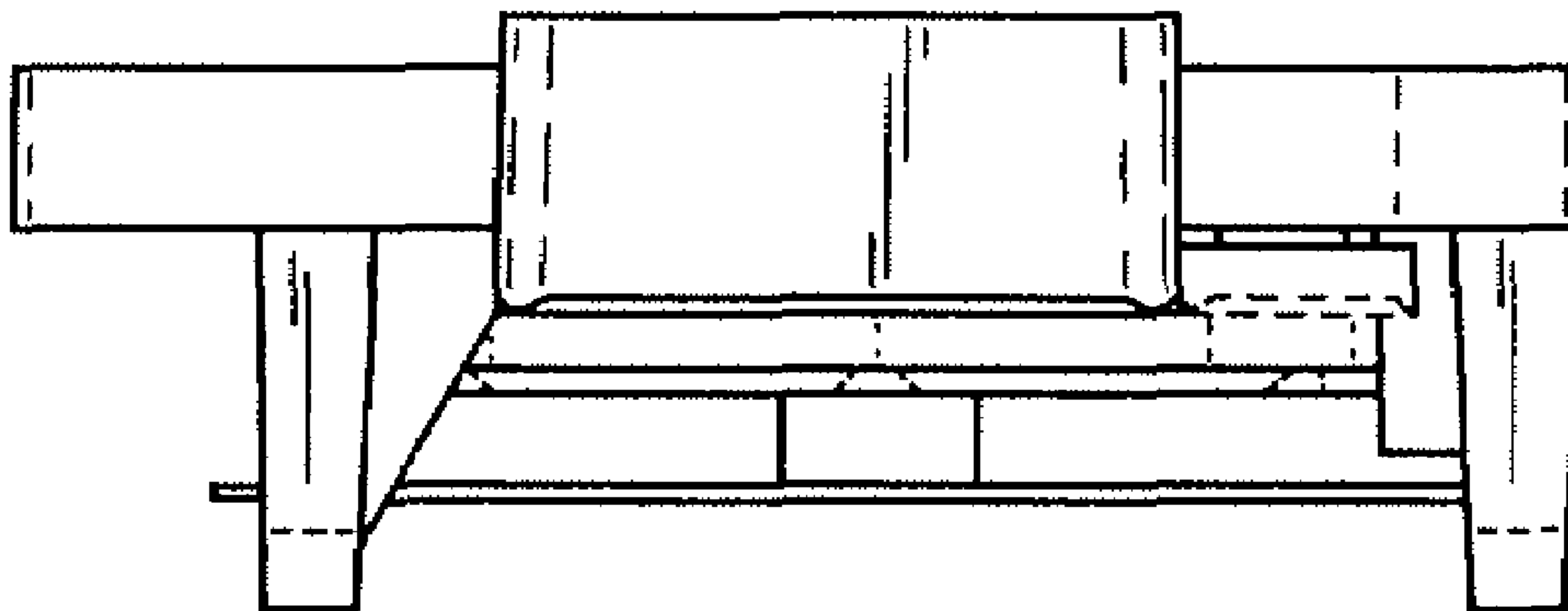


Fig.6.

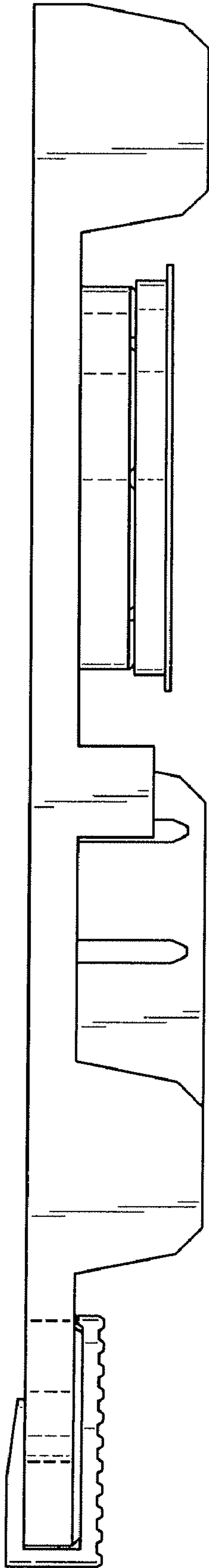


Fig. 7.

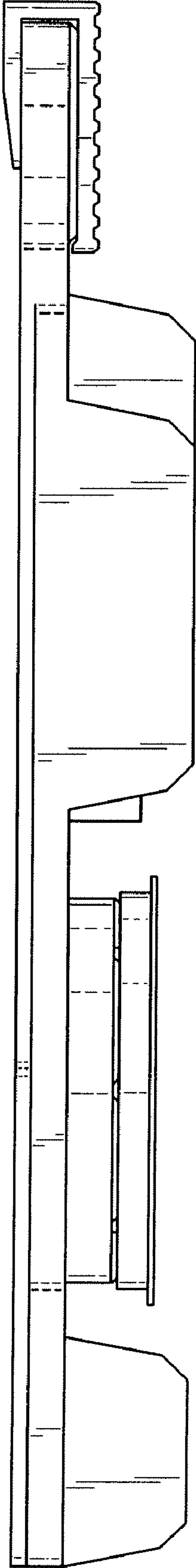


Fig.8.